



US00D868257S

(12) **United States Design Patent** (10) **Patent No.:** **US D868,257 S**
Akiyama et al. (45) **Date of Patent:** **** Nov. 26, 2019**

(54) **JIG FOR DENTAL PROSTHESIS** 8,506,296 B2 * 8/2013 Bassett A61C 8/0001
433/173
(71) Applicant: **GC Corporation**, Shizuoka (JP) D800,308 S * 10/2017 LeBeau A61C 8/0001
D24/156
(72) Inventors: **Shigenori Akiyama**, Tokyo (JP); **Go Mashio**, Tokyo (JP); **Hayato Yokohara**, Tokyo (JP); **Toshihiko Azuma**, Tokyo (JP) 2004/0265781 A1 * 12/2004 Coatoam A61C 8/005
433/173
2007/0077535 A1 * 4/2007 Wichmann A61C 8/0022
433/174
2012/0052463 A1 * 3/2012 Pollet A61C 8/0001
433/172
(73) Assignee: **GC Corporation**, Shizuoka (JP) 2014/0212845 A1 * 7/2014 Wadhvani A61C 13/08
433/174
(**) Term: **15 Years** 2018/0049849 A1 * 2/2018 Lamar A61C 8/0009
2018/0243053 A1 * 8/2018 Elsner A61C 8/0001
2019/0223990 A1 * 7/2019 Nuytens A61C 8/0001

(21) Appl. No.: **29/637,166**

(22) Filed: **Feb. 14, 2018**

(30) **Foreign Application Priority Data**

Aug. 25, 2017 (JP) 2017-018265

(51) **LOC (12) Cl.** **24-03**

(52) **U.S. Cl.**
USPC **D24/156**

(58) **Field of Classification Search**
USPC D24/156
CPC A61C 8/00; A61C 8/0089; A61C 8/0069;
A61C 8/0054; A61C 8/0096; A61C
8/0039; A61C 8/0063; A61C 8/006; A61C
8/0001; A61C 8/0012; A61C 8/0075;
A61C 8/0083; A61C 13/225
See application file for complete search history.

(56) **References Cited**

U.S. PATENT DOCUMENTS

6,488,501 B1 * 12/2002 Harding A61C 8/0001
433/173
8,419,429 B2 * 4/2013 Wang A61C 8/0068
433/173

* cited by examiner

Primary Examiner — Charles D Hanson
(74) *Attorney, Agent, or Firm* — IPUSA, PLLC

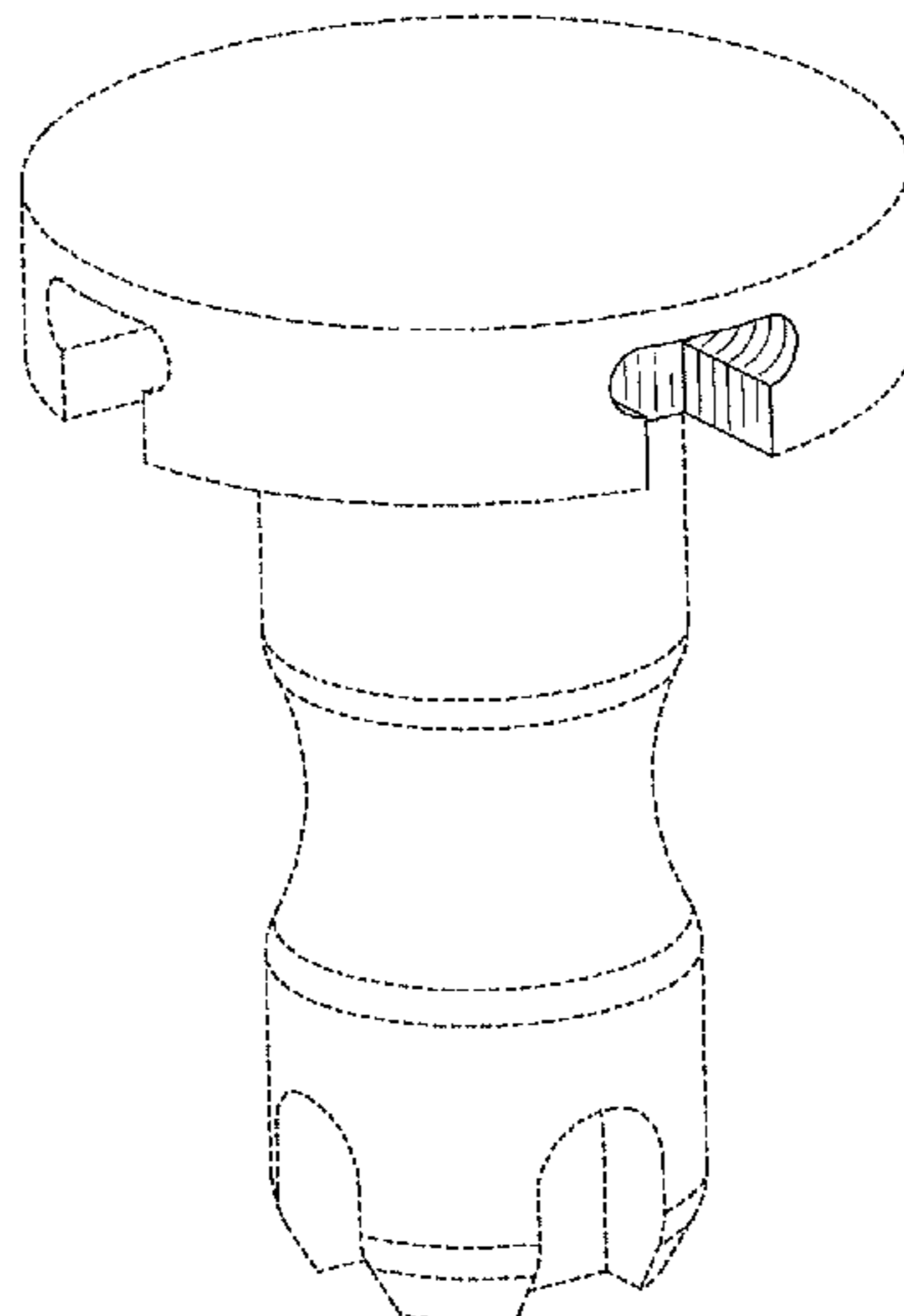
(57) **CLAIM**

The ornamental design for a jig for dental prosthesis, as shown and described.

DESCRIPTION

FIG. 1 is a perspective view of a jig for dental prosthesis, showing our new design;
FIG. 2 is a front view thereof;
FIG. 3 is a bottom view thereof;
FIG. 4 is a right side view thereof; and,
FIG. 5 is a left side view thereof.
The broken lines shown in the drawings present portions of the jig for dental prosthesis that form no part of the claimed design. All sides not shown form no part of the claimed design.

1 Claim, 3 Drawing Sheets



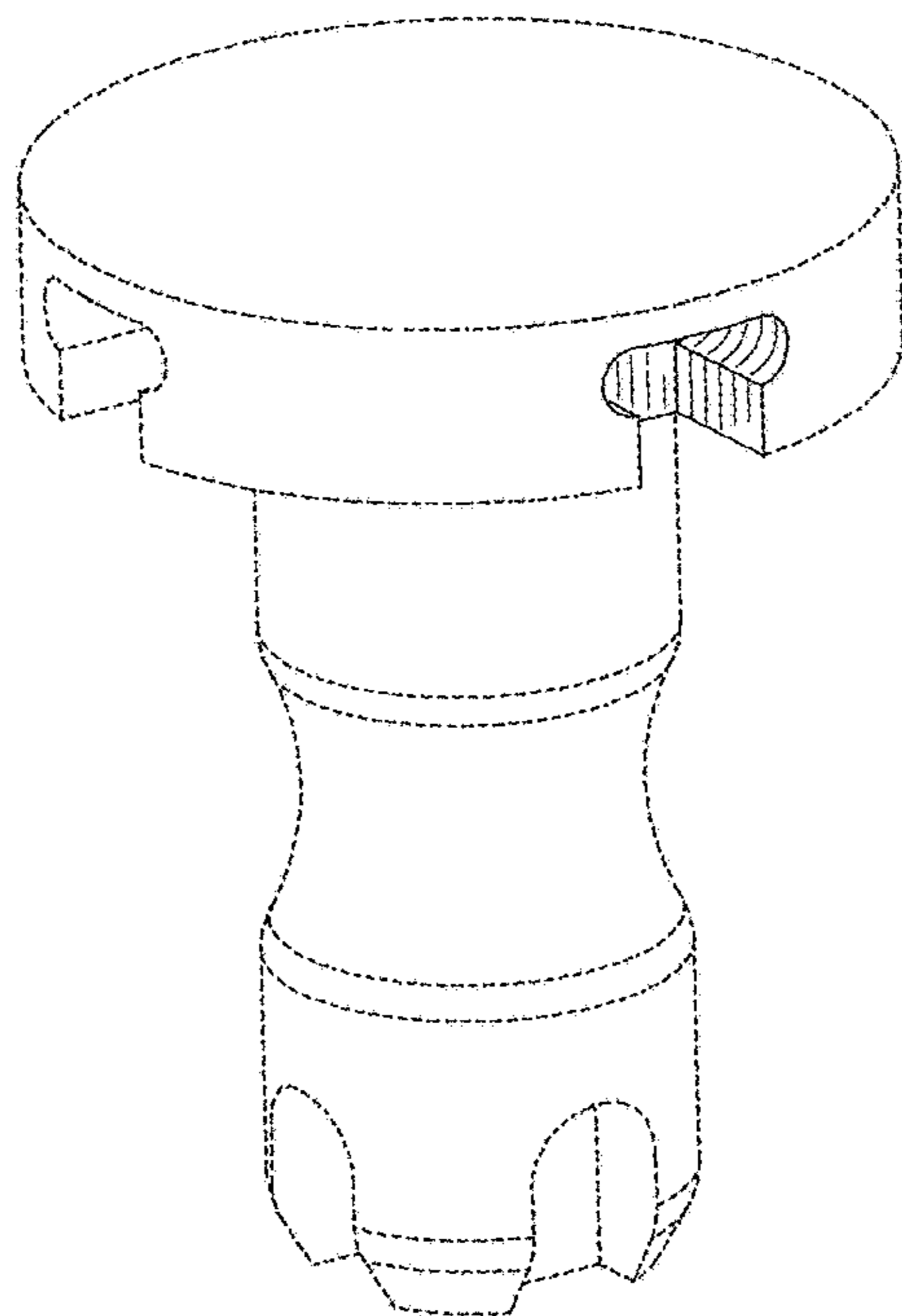


Fig. 1

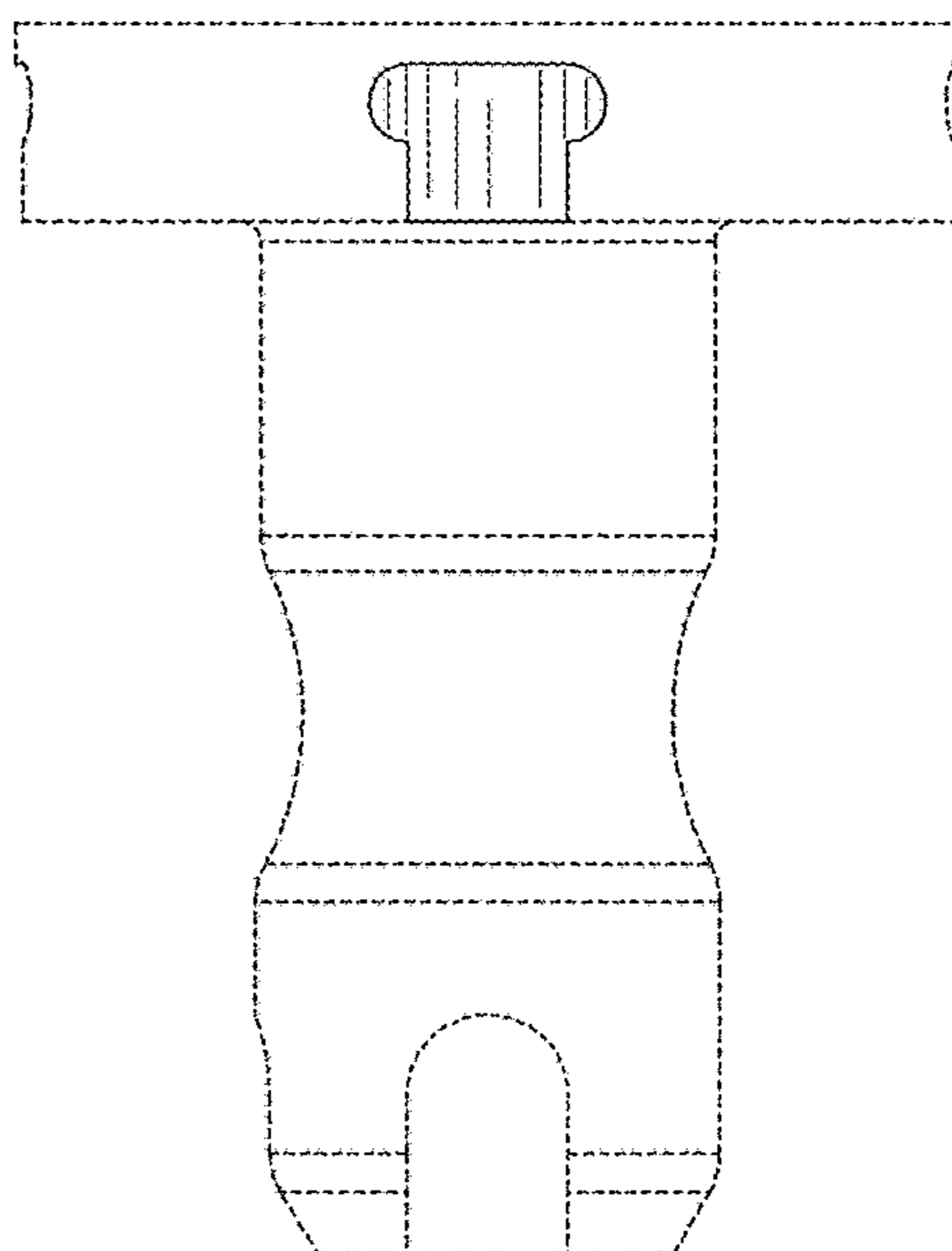


Fig. 2

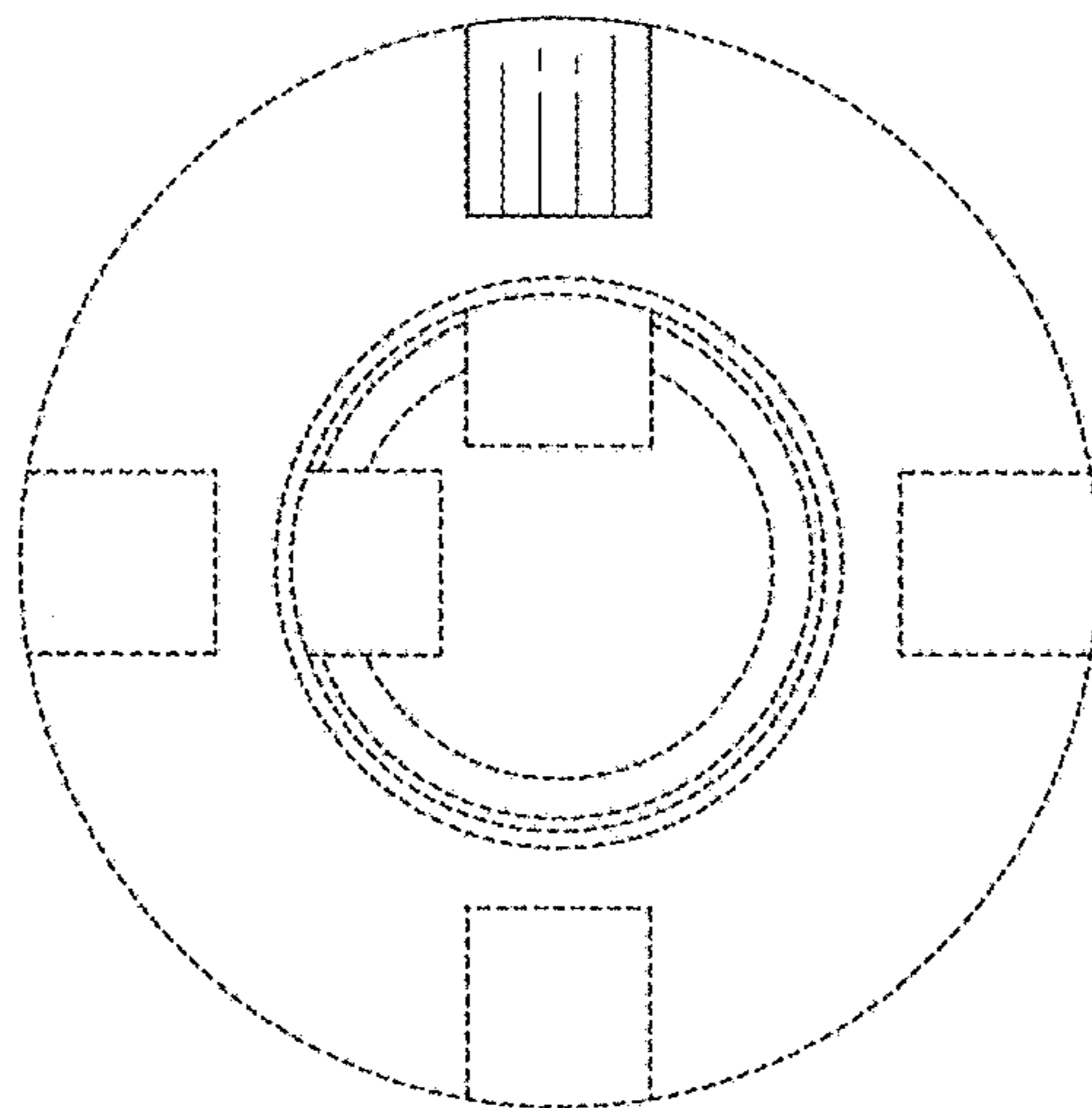


Fig. 3

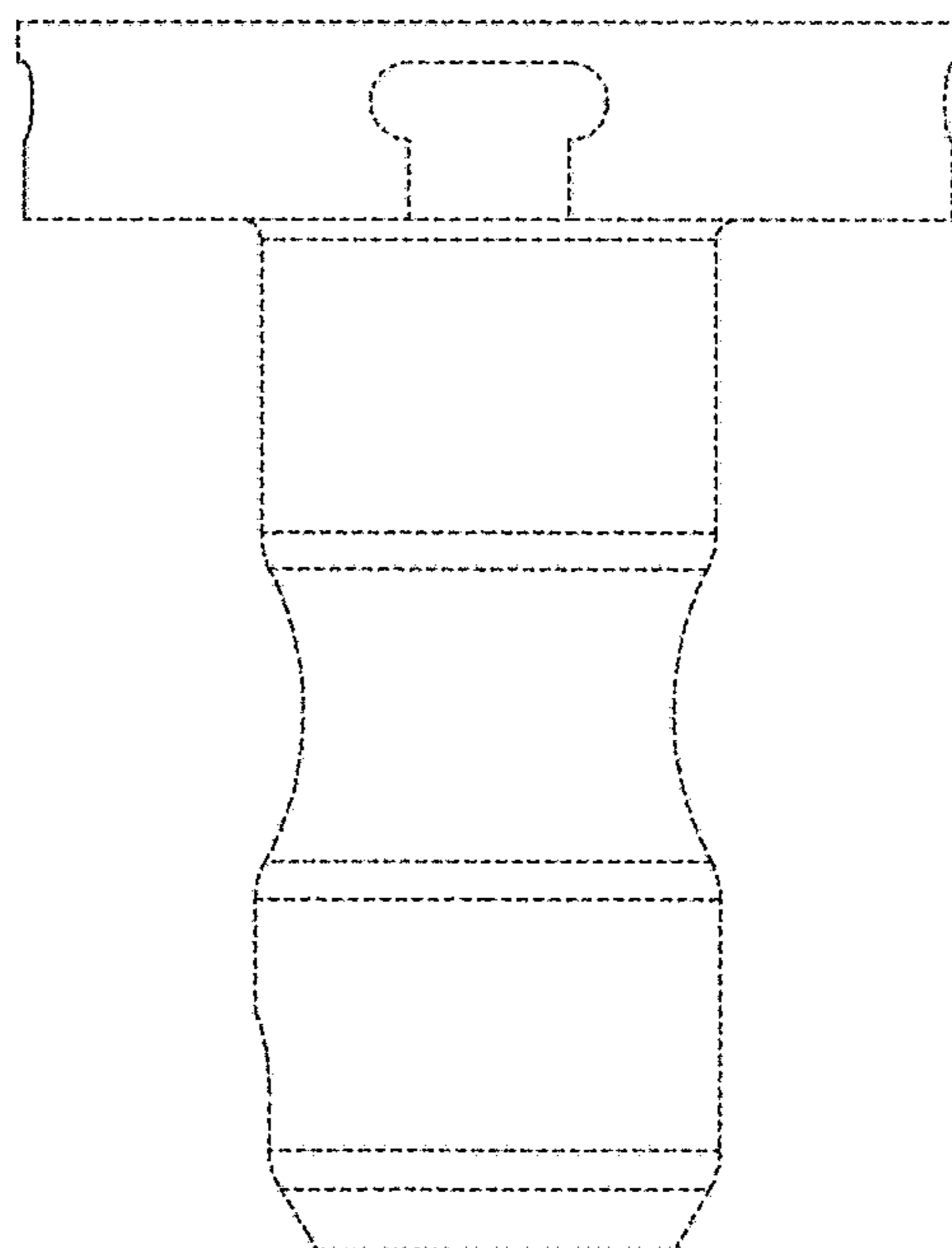


Fig. 4

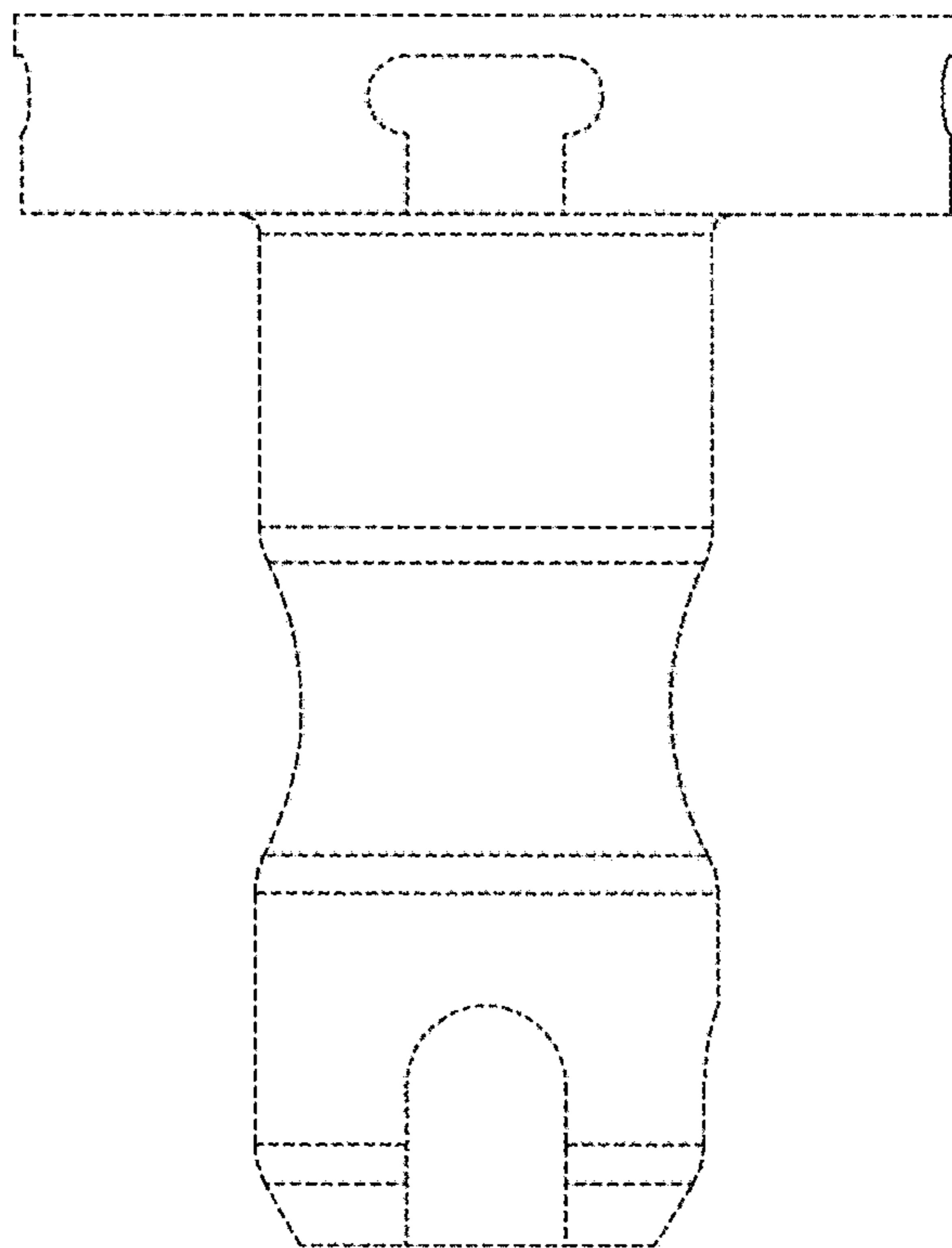


Fig. 5