



US00D868255S

(12) **United States Design Patent** (10) **Patent No.:** **US D868,255 S**
Azuma et al. (45) **Date of Patent:** **** Nov. 26, 2019**

(54) **JIG FOR DENTAL PROSTHESIS** 8,506,296 B2 * 8/2013 Bassett A61C 8/0001
433/173
(71) Applicant: **GC Corporation**, Shizuoka (JP) D800,308 S * 10/2017 LeBeau A61C 8/0001
D24/156
(72) Inventors: **Toshihiko Azuma**, Tokyo (JP); **Go Mashio**, Tokyo (JP); **Shigenori Akiyama**, Tokyo (JP); **Hayato Yokohara**, Tokyo (JP) 2004/0265781 A1 * 12/2004 Coatoam A61C 8/005
433/173
2007/0077535 A1 * 4/2007 Wichmann A61C 8/0022
433/174
2012/0052463 A1 * 3/2012 Pollet A61C 8/0001
433/172
(73) Assignee: **GC Corporation**, Shizuoka (JP) 2014/0212845 A1 * 7/2014 Wadhvani A61C 13/08
433/174
(**) Term: **15 Years** 2018/0049849 A1 * 2/2018 Lamar A61C 8/0009
2018/0243053 A1 * 8/2018 Elsner A61C 8/0001
2019/0223990 A1 * 7/2019 Nuytens A61C 8/0001

(21) Appl. No.: **29/637,149**

(22) Filed: **Feb. 14, 2018**

(30) **Foreign Application Priority Data**
Aug. 25, 2017 (JP) 2017-018263
(51) **LOC (12) Cl.** **24-03**
(52) **U.S. Cl.**
USPC **D24/156**
(58) **Field of Classification Search**
USPC D24/156
CPC A61C 8/00; A61C 8/0089; A61C 8/0069;
A61C 8/0054; A61C 8/0096; A61C
8/0039; A61C 8/0063; A61C 8/006; A61C
8/0001; A61C 8/0012; A61C 8/0075;
A61C 8/0083; A61C 13/225
See application file for complete search history.

(56) **References Cited**
U.S. PATENT DOCUMENTS
6,488,501 B1 * 12/2002 Harding A61C 8/0001
433/173
8,419,429 B2 * 4/2013 Wang A61C 8/0068
433/173

* cited by examiner

Primary Examiner — Charles D Hanson
(74) *Attorney, Agent, or Firm* — IPUSA, PLLC

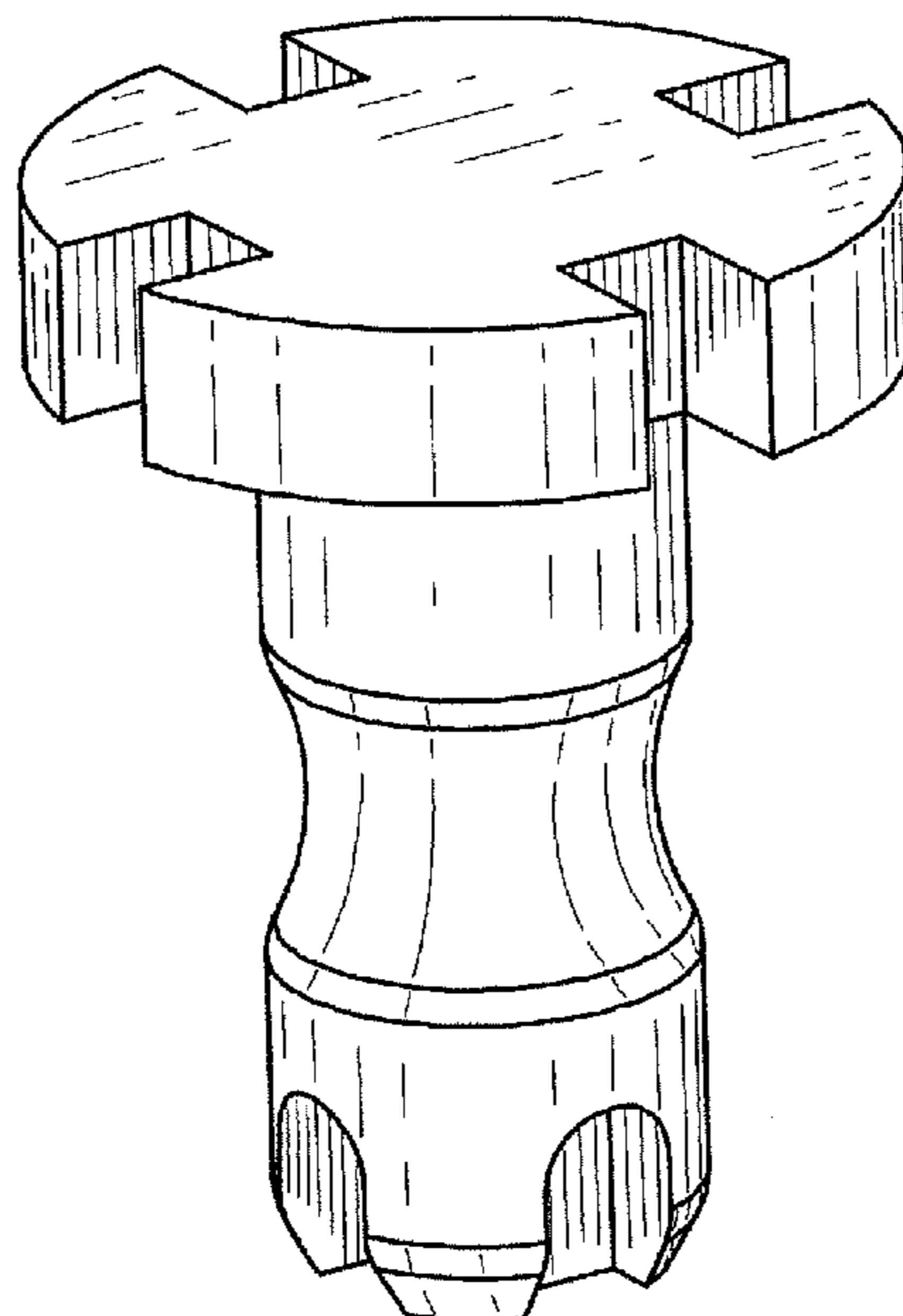
(57) **CLAIM**

The ornamental design for a jig for dental prosthesis, as shown and described.

DESCRIPTION

FIG. 1 is a perspective view of a jig for dental prosthesis, showing our new design;
FIG. 2 is a front view thereof;
FIG. 3 is a rear view thereof;
FIG. 4 is a top plan view thereof;
FIG. 5 is a bottom view thereof;
FIG. 6 is a right side view thereof; and,
FIG. 7 is a left side view thereof.

1 Claim, 4 Drawing Sheets



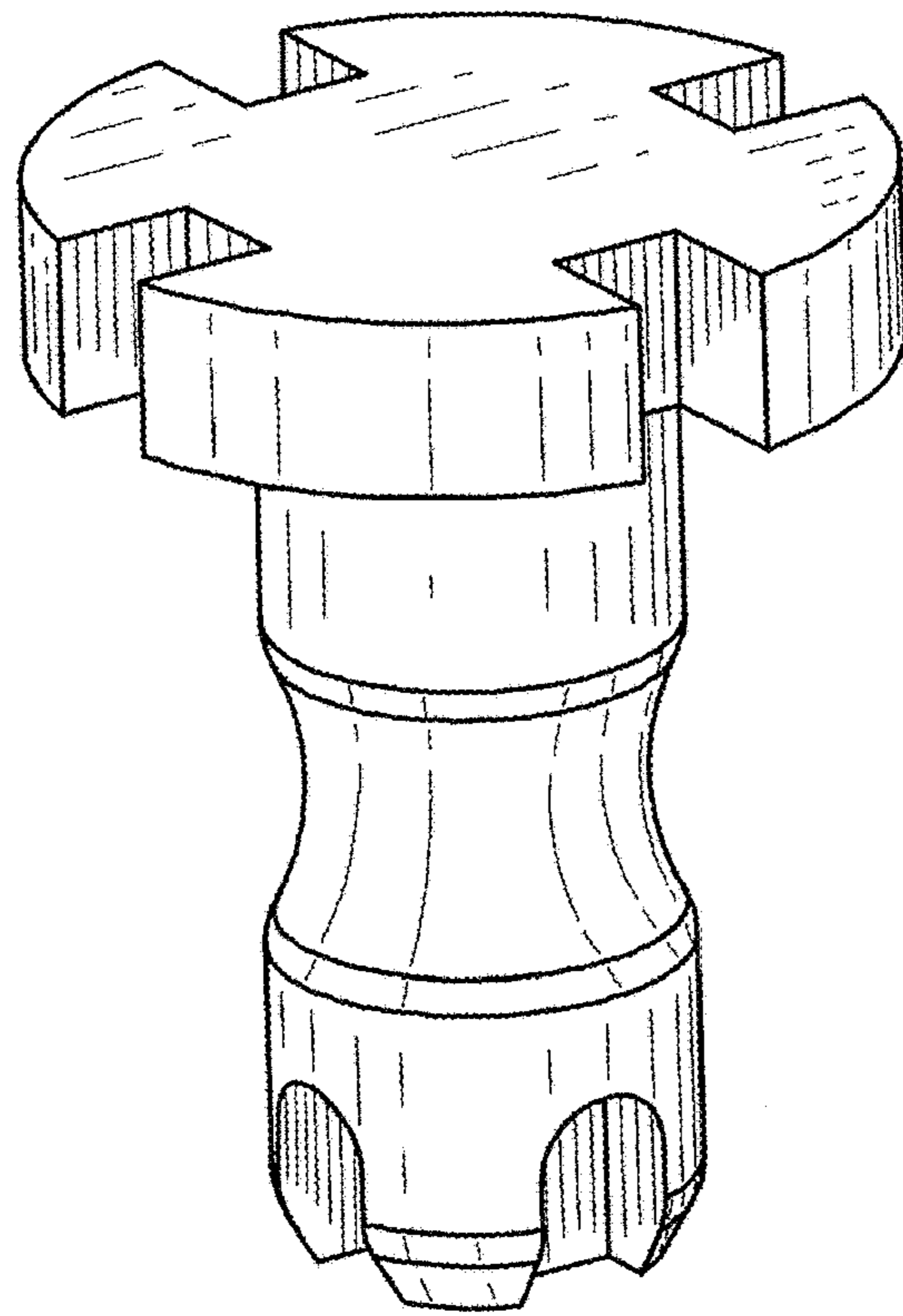


Fig. 1

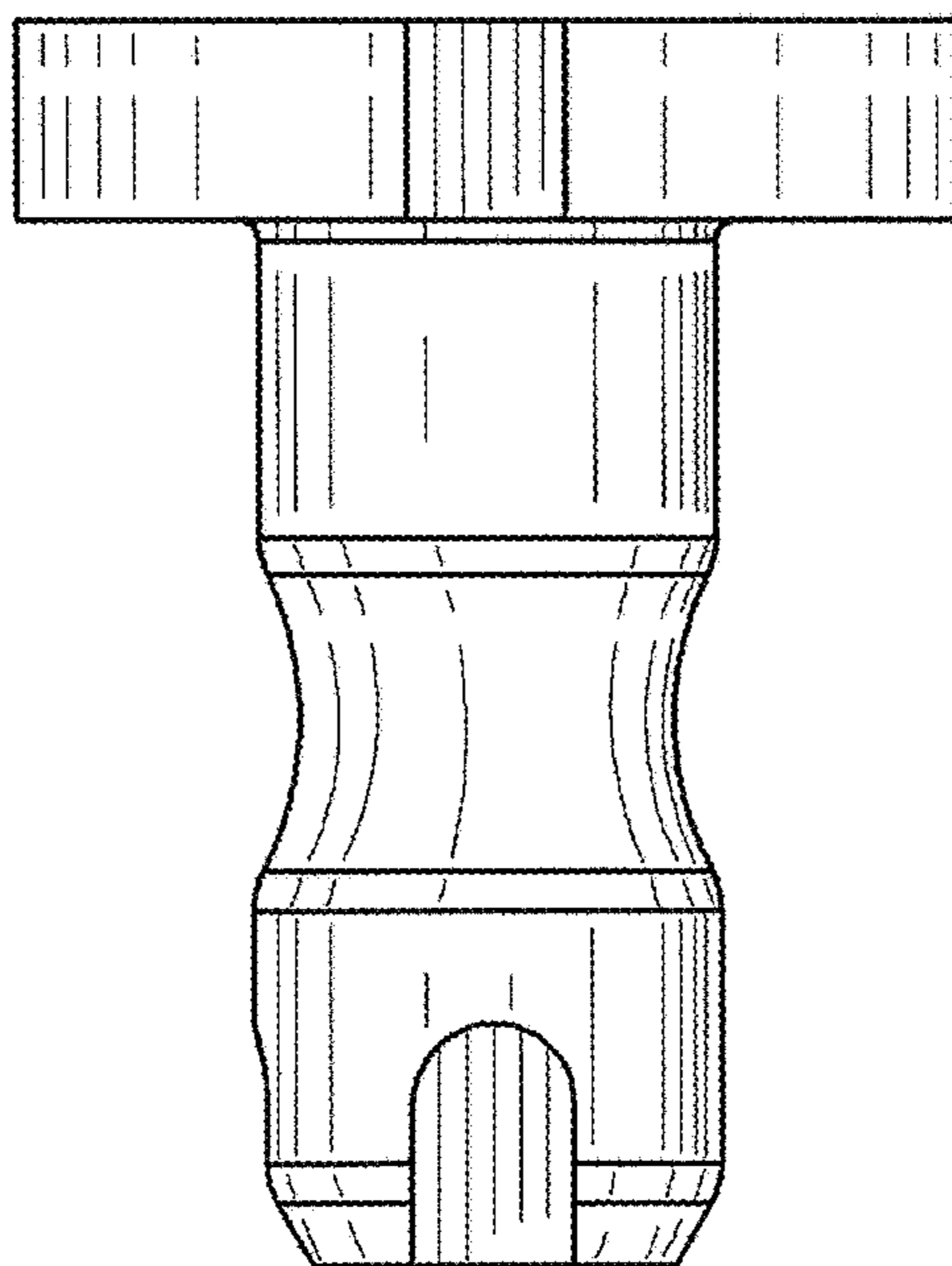


Fig. 2

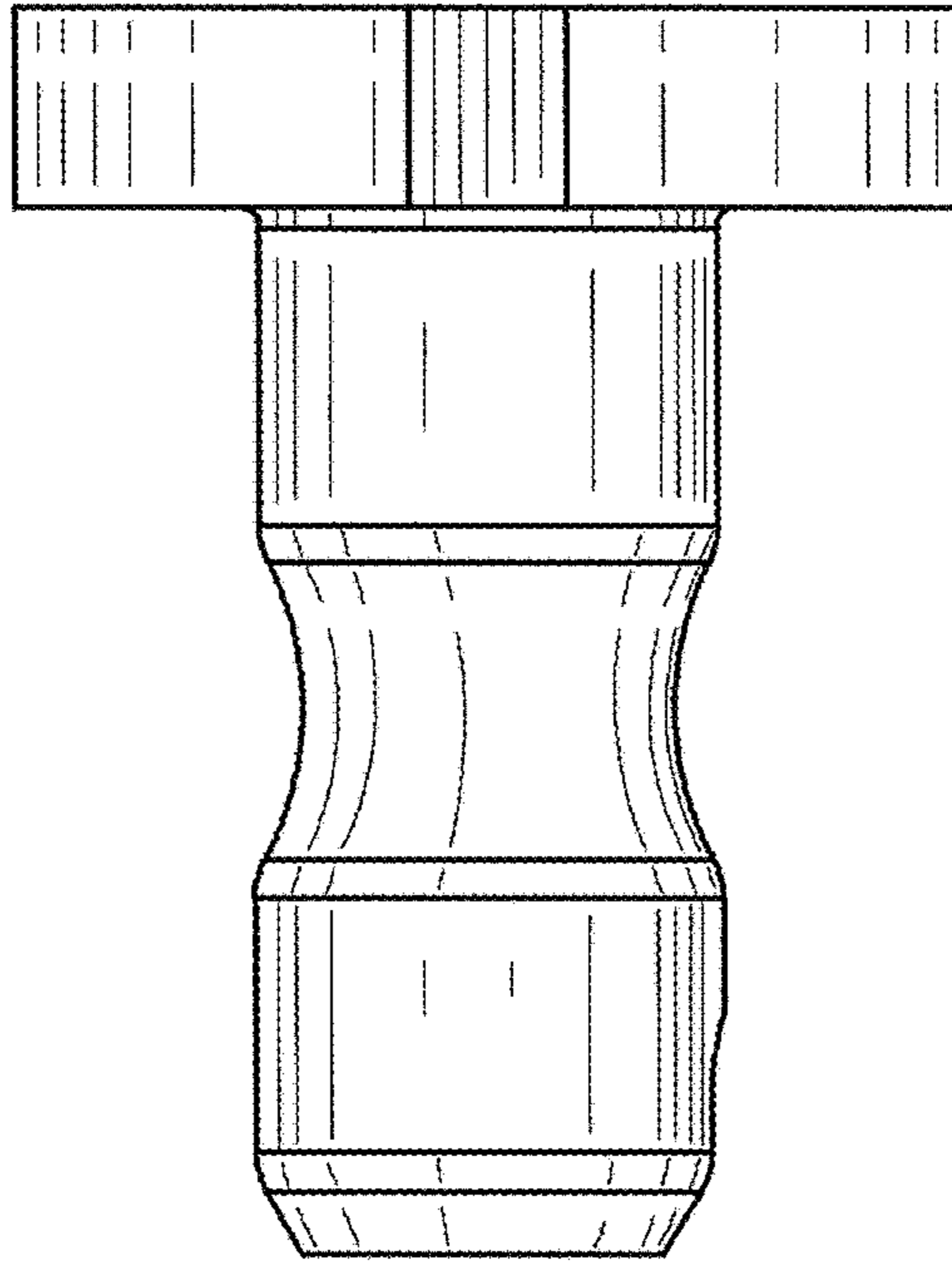


Fig. 3

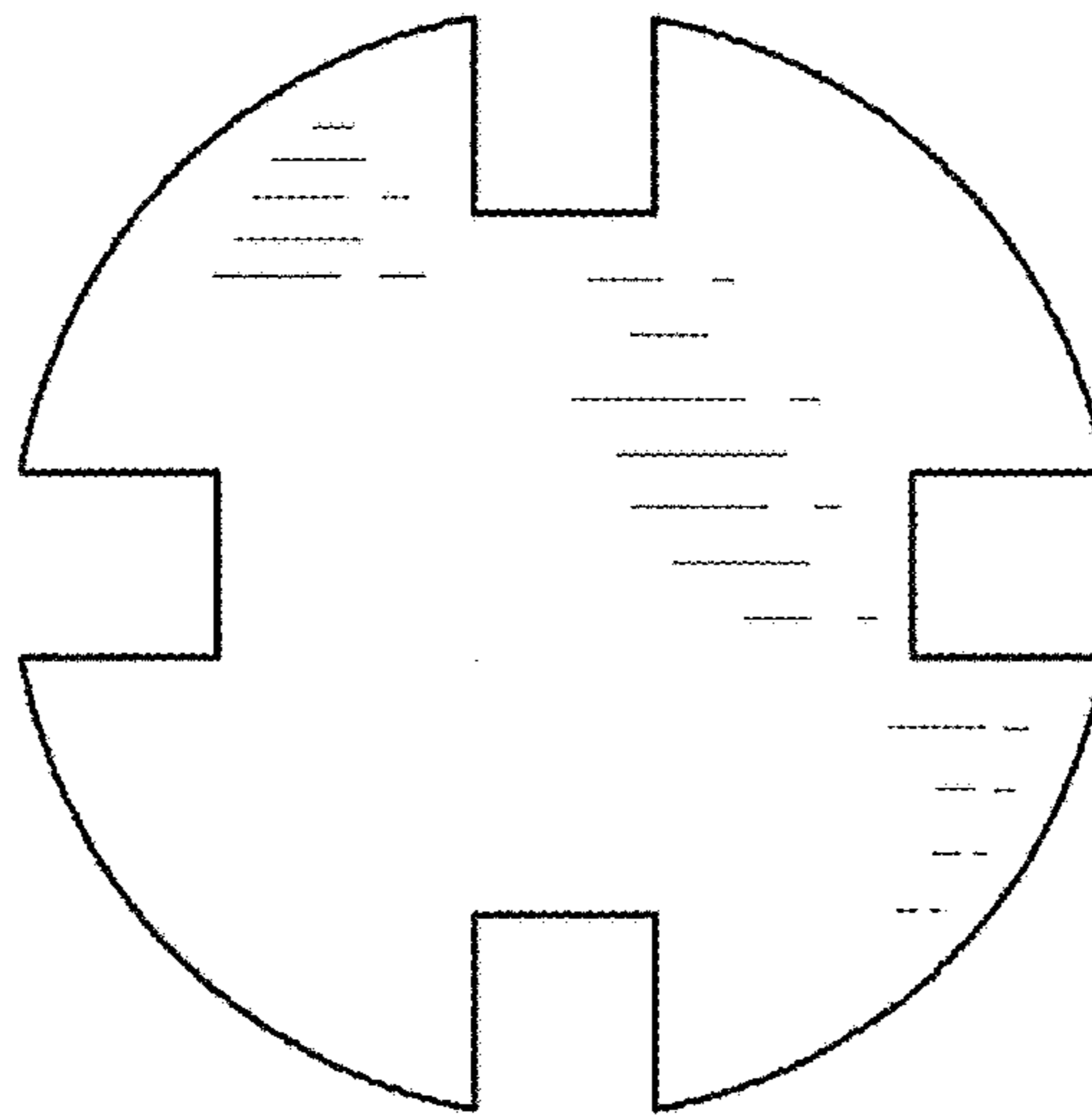


Fig. 4

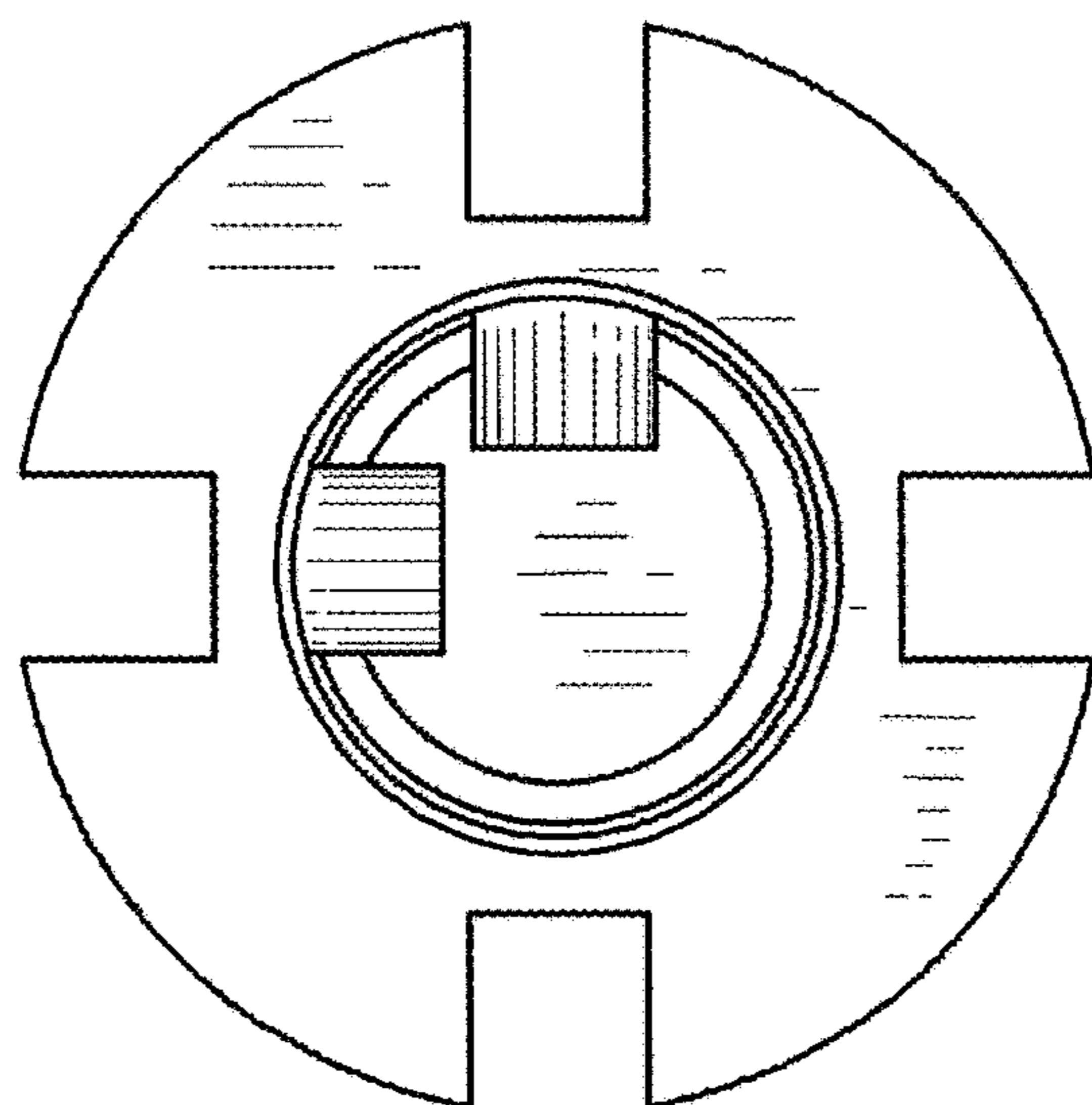


Fig. 5

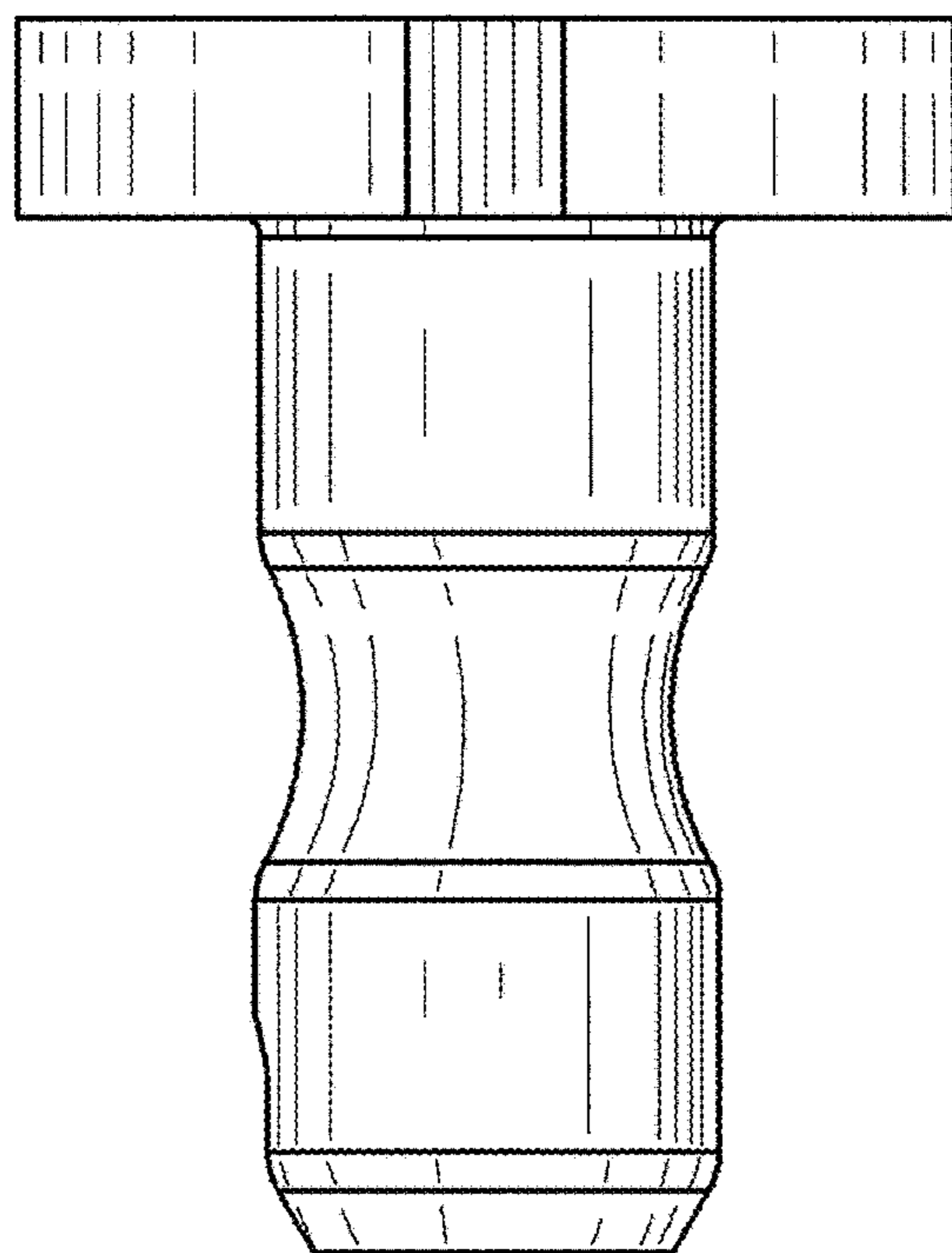


Fig. 6

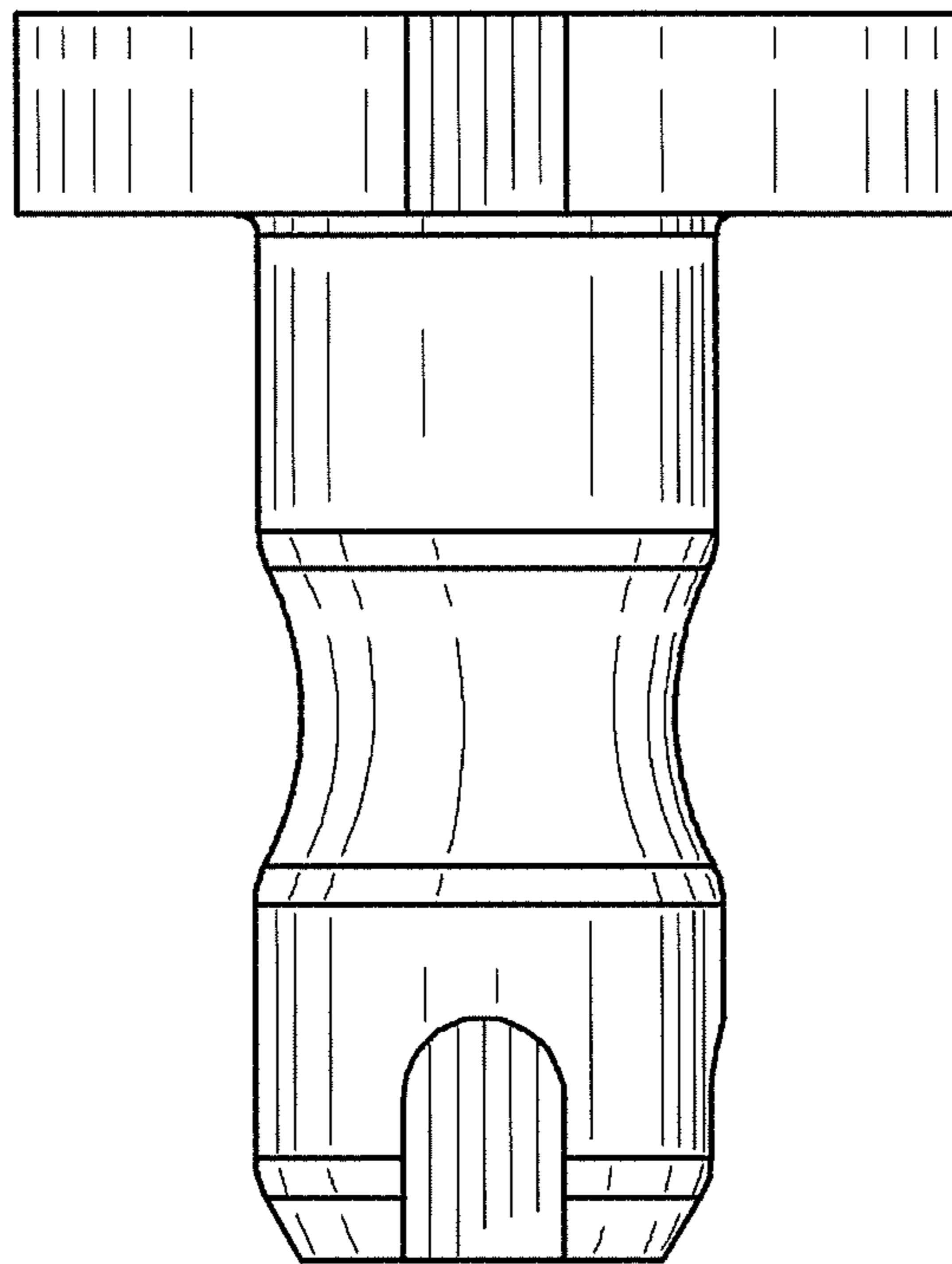


Fig. 7