



US00D868251S

(12) **United States Design Patent** (10) **Patent No.:** **US D868,251 S**  
**Binder** (45) **Date of Patent:** **\*\* Nov. 26, 2019**

- (54) **EPISTAXIS TREATMENT DEVICE**
- (71) Applicant: **Jeffrey E. Binder**, Bentleyville, OH (US)
- (72) Inventor: **Jeffrey E. Binder**, Bentleyville, OH (US)
- (73) Assignee: **BINYARCO, LLC**, Bentleyville, OH (US)
- (\*\*) Term: **15 Years**
- (21) Appl. No.: **29/600,467**
- (22) Filed: **Apr. 12, 2017**
- (51) **LOC (12) Cl.** ..... **24-02**
- (52) **U.S. Cl.**  
USPC ..... **D24/141**
- (58) **Field of Classification Search**  
USPC ..... D24/106, 173, 214, 133, 141, 215;  
D7/649, 652; D21/568; D11/73  
CPC ..... A61F 2011/085; A61F 11/08; A61F  
13/2005; A61F 13/2022; A61F 13/2031;  
A61B 17/12104  
See application file for complete search history.

(56) **References Cited**

**U.S. PATENT DOCUMENTS**

- 462,910 A \* 11/1891 Hallock ..... A61F 11/006  
606/162
- D163,086 S \* 5/1951 Brooks ..... D11/73
- 4,568,326 A \* 2/1986 Rangaswamy .. A61B 17/12022  
604/1
- 4,950,280 A \* 8/1990 Brennan ..... A61B 17/12022  
604/1
- D585,988 S \* 2/2009 Kinnard ..... D24/133
- D634,022 S \* 3/2011 Scappaticci ..... D24/215
- D675,726 S \* 2/2013 Solomon, Jr. .... D24/106

- 9,023,078 B2 \* 5/2015 Dehors ..... A61H 7/003  
601/135
- 2010/0016880 A1\* 1/2010 Ashenurst ..... A61B 17/12104  
606/196
- 2012/0071913 A1\* 3/2012 Tamez ..... A61F 5/08  
606/199

**OTHER PUBLICATIONS**

Fabco Nasal Packing [online], Aug. 21, 2015 [retrieved Mar. 26, 2019], Retrieved from the internet <URL:https://web.archive.org/web/20150821204555/http:fabco.net/catalog/ivalon-ophthalmic/nasal-packing/>, nasal packing image (Year: 2015).\*

\* cited by examiner

*Primary Examiner* — Richelle G Shelton

(74) *Attorney, Agent, or Firm* — Pearne & Gordon LLP

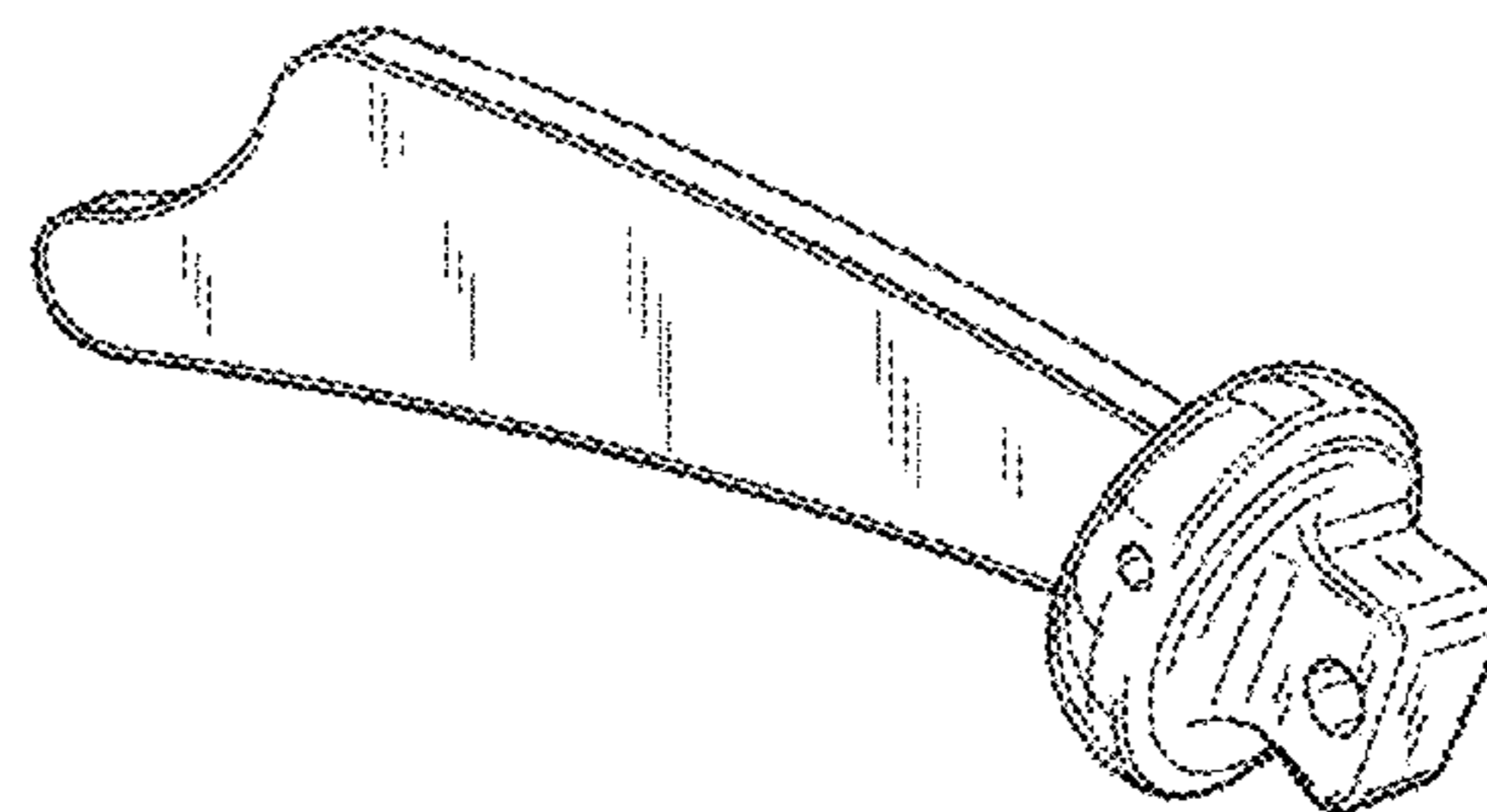
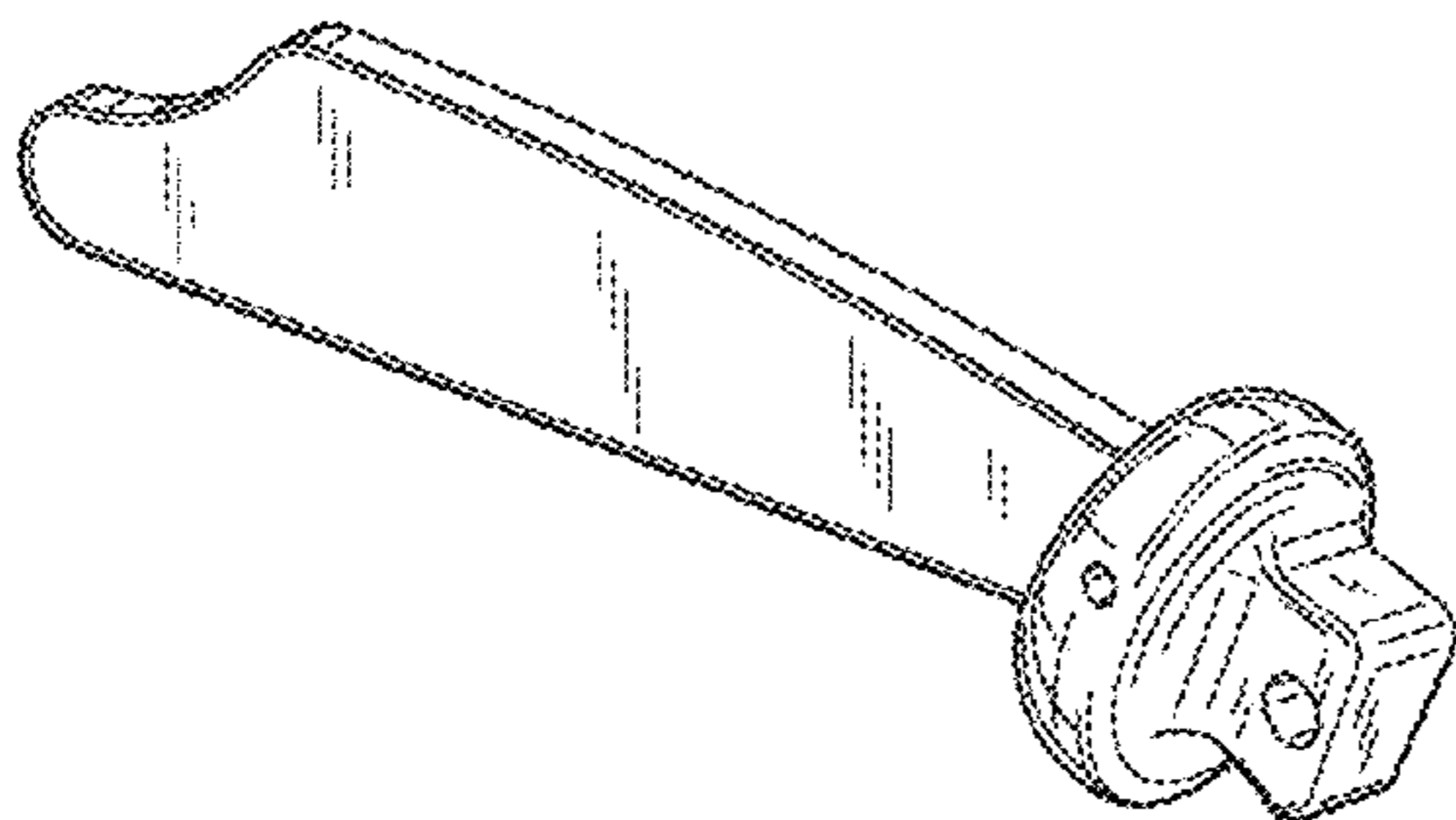
(57) **CLAIM**

The ornamental design for a epistaxis treatment device, as shown and described.

**DESCRIPTION**

FIG. 1 is a perspective view of a first embodiment of a epistaxis treatment device, showing my new design;  
 FIG. 2 is a right side view thereof, the left side view being a mirror image thereof;  
 FIG. 3 is a top view thereof;  
 FIG. 4 is a bottom view thereof;  
 FIG. 5 is a back view thereof;  
 FIG. 6 is a front view thereof;  
 FIG. 7 is a perspective view of a second embodiment of a epistaxis treatment device, according to the invention;  
 FIG. 8 is a right side view thereof, the left side view being a mirror image thereof;  
 FIG. 9 is a top view thereof;  
 FIG. 10 is a bottom view thereof;  
 FIG. 11 is a back view thereof; and,  
 FIG. 12 is a front view thereof.

**1 Claim, 4 Drawing Sheets**



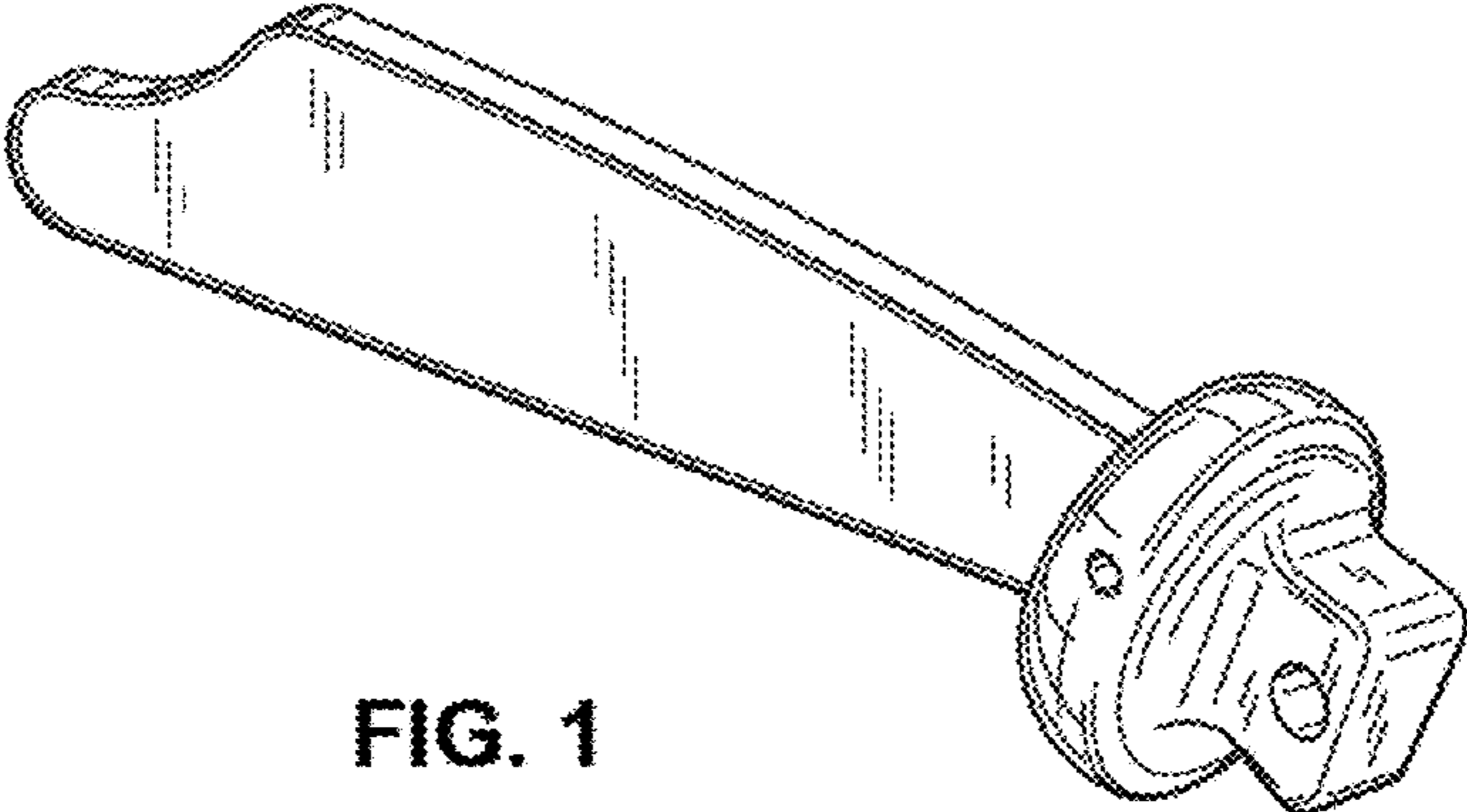


FIG. 1

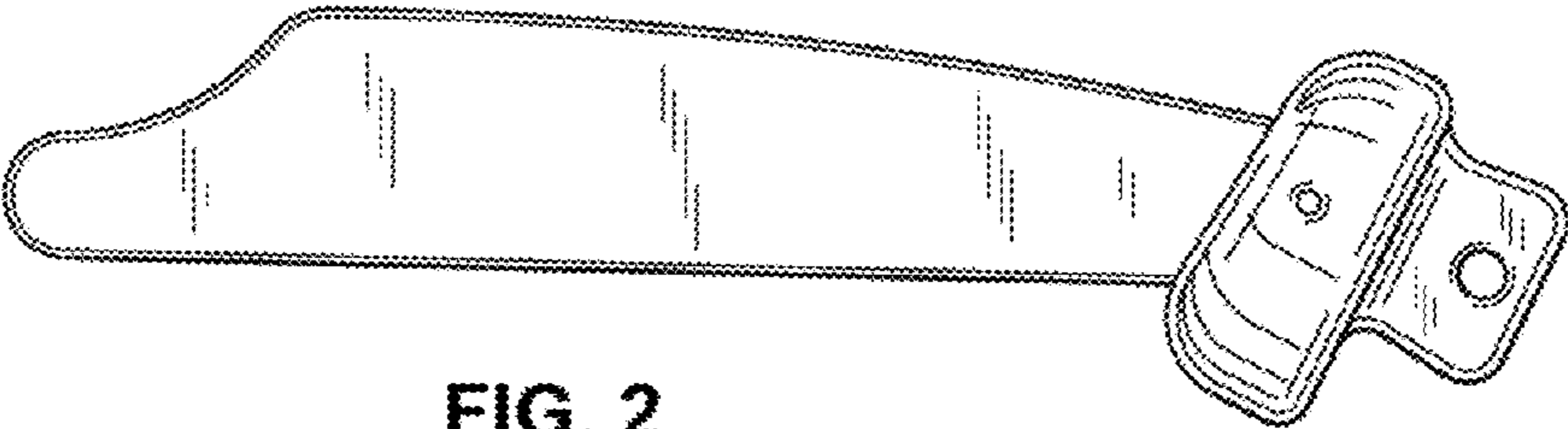


FIG. 2



FIG. 3

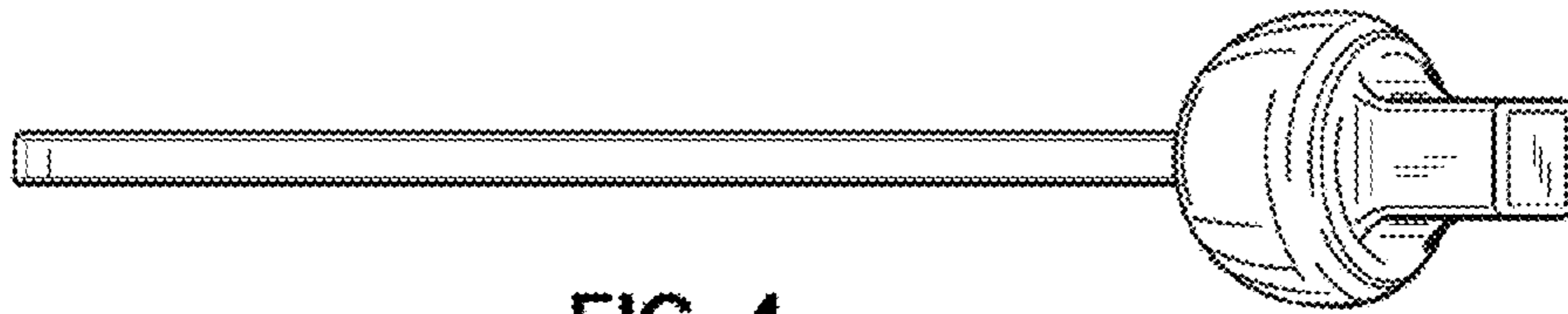


FIG. 4

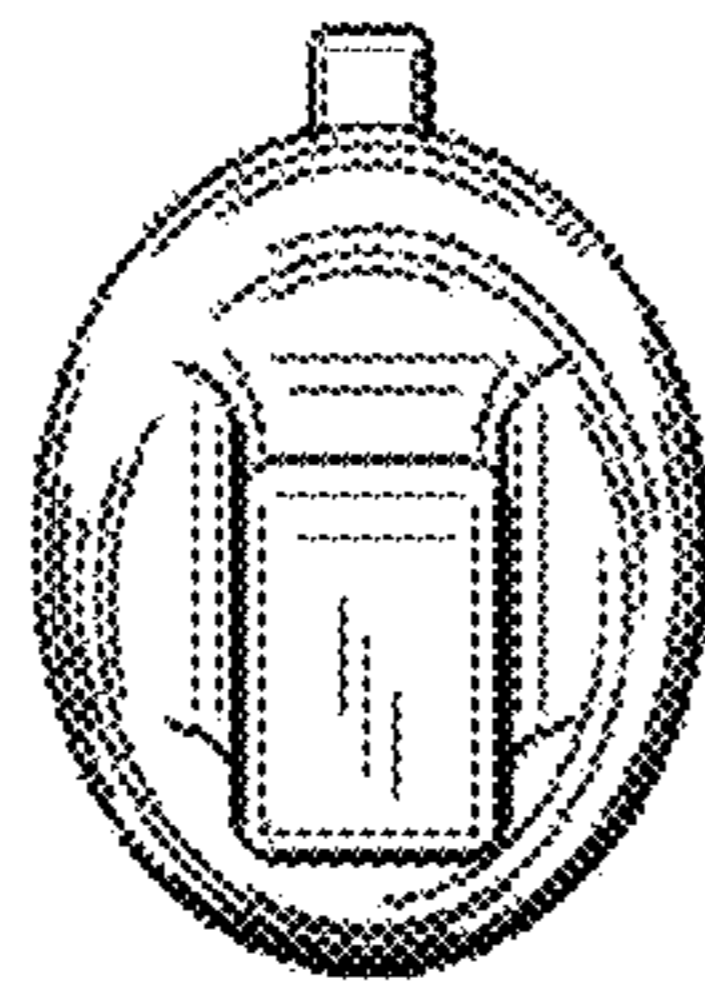


FIG. 5

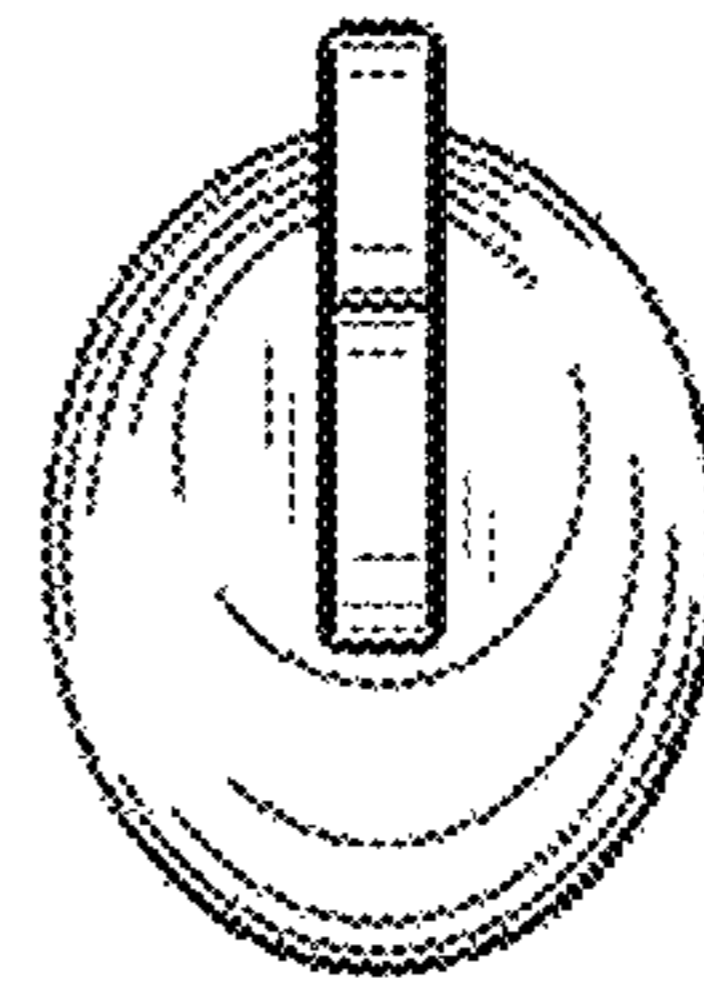


FIG. 6

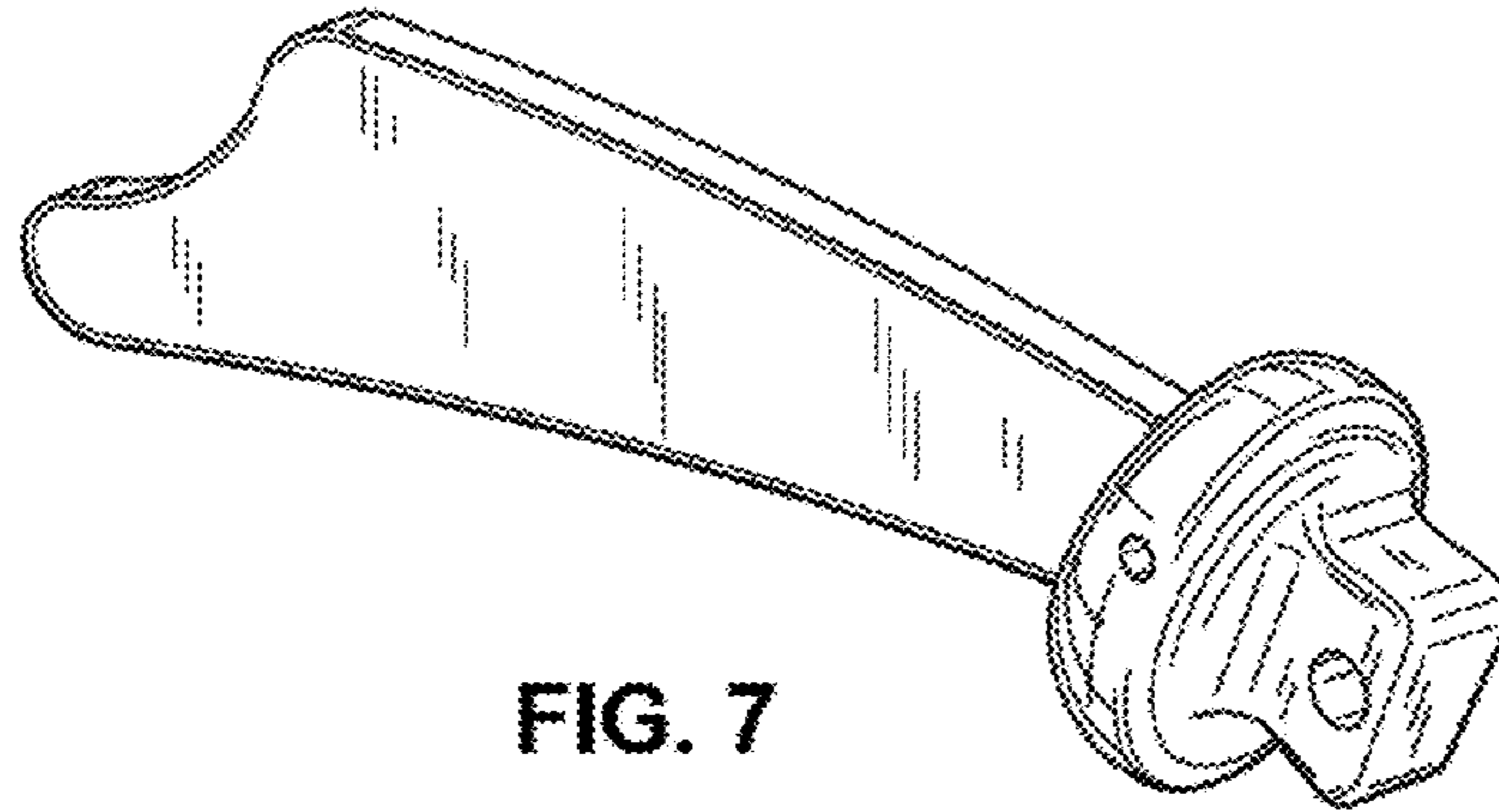


FIG. 7

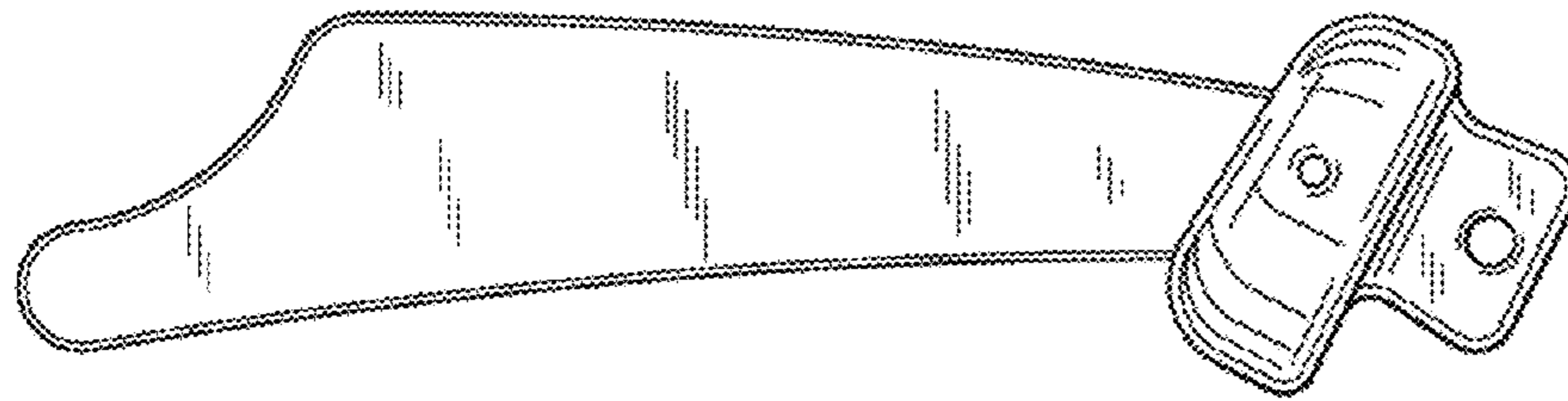


FIG. 8

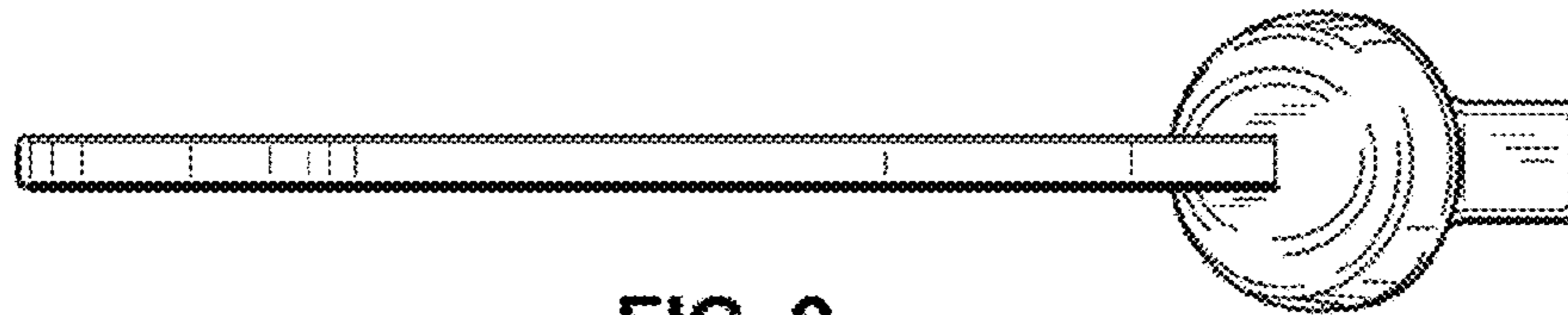


FIG. 9

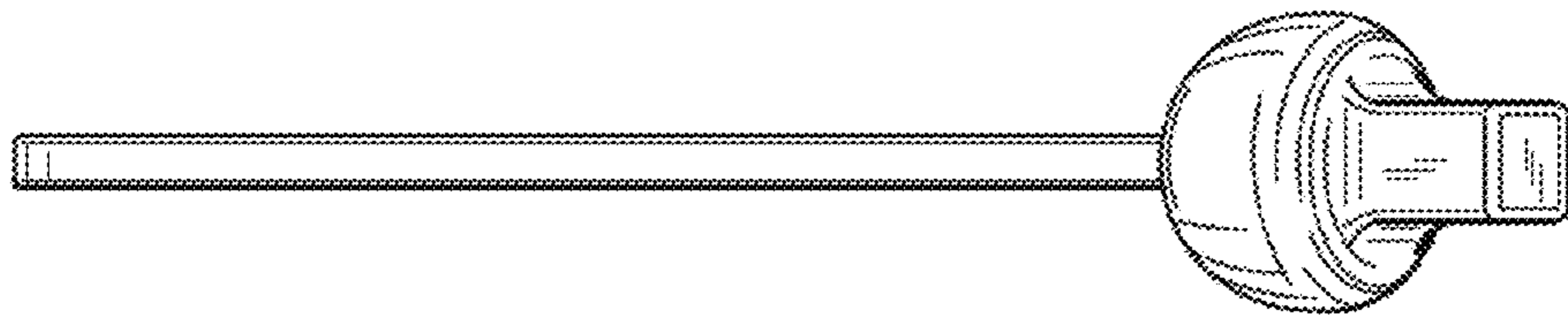


FIG. 10

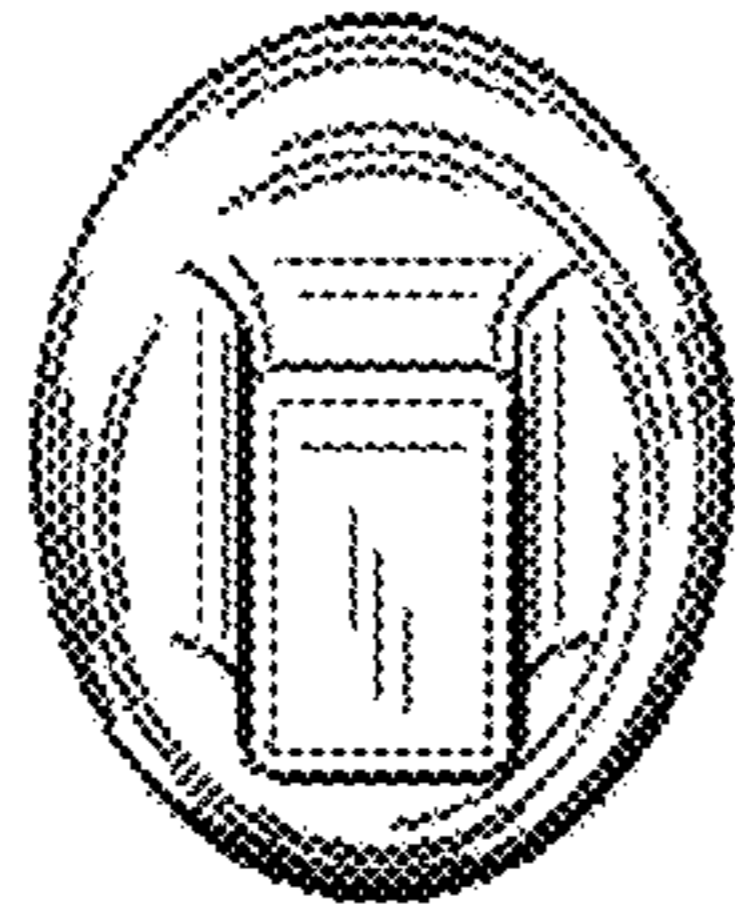


FIG. 11

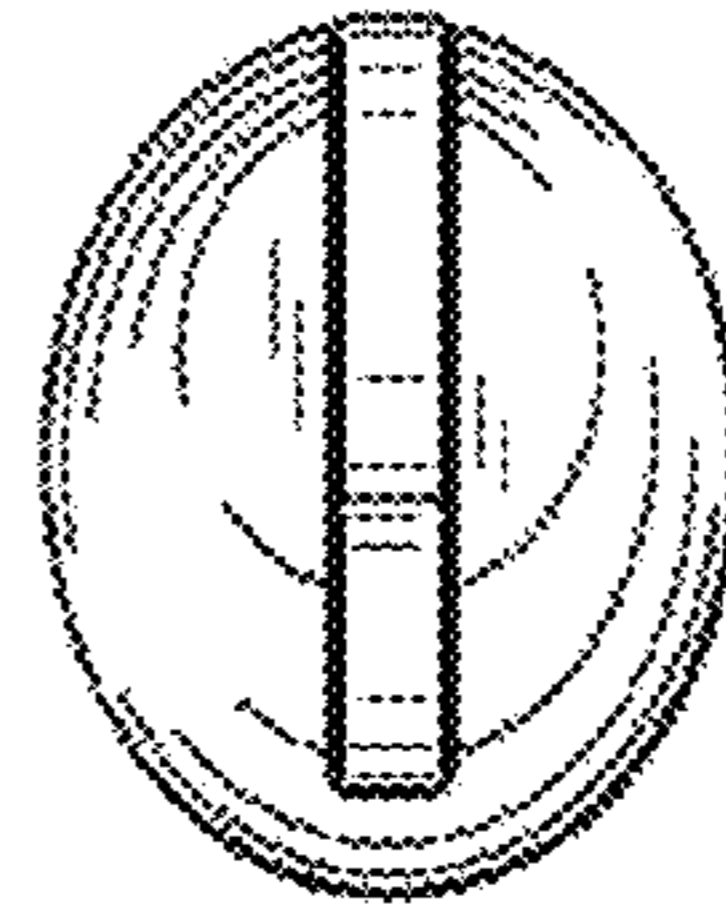


FIG. 12