



US00D868250S

(12) **United States Design Patent** (10) **Patent No.:** **US D868,250 S**
Eubanks (45) **Date of Patent:** **** Nov. 26, 2019**

(54) **HANDLE FOR LAPAROSCOPIC SURGERY INSTRUMENT**
(71) Applicant: **ADVENTIST HEALTH SYSTEM/SUNBELT, INC.**, Altamonte Springs, FL (US)

(72) Inventor: **Steve Eubanks**, Winter Park, FL (US)

(73) Assignee: **ADVENTIST HEALTH SYSTEM/SUNBELT, INC.**, Altamonte Springs, FL (US)

(**) Term: **15 Years**

(21) Appl. No.: **29/611,040**

(22) Filed: **Jul. 18, 2017**

Related U.S. Application Data

(63) Continuation of application No. 29/537,984, filed on Aug. 31, 2015, now Pat. No. Des. 796,042.

(51) **LOC (12) Cl.** **24-02**

(52) **U.S. Cl.**
USPC **D24/138**

(58) **Field of Classification Search**
USPC D24/108, 112, 117, 118, 130, 133, 135, D24/137, 138, 222, 141, 111, 113, 127, D24/143, 144, 148, 179, 216, 152, 153, D24/154, 176, 170
CPC A61B 1/00; A61B 1/00137; A61B 1/005; A61B 1/0014; A61B 1/0676; A61B 1/0669; A61B 1/00121; A61B 1/00133; A61B 1/00071; A61B 1/00064; A61B 1/00068; A61B 1/00112; A61B 1/0125; A61B 17/3478

See application file for complete search history.

(56) **References Cited**

U.S. PATENT DOCUMENTS

5,476,479 A 12/1995 Green et al.
5,637,110 A 6/1997 Pennybacker et al.

5,735,874 A 4/1998 Measamer et al.
5,755,713 A 5/1998 Bilof et al.
6,641,595 B1 11/2003 Moran et al.
D624,646 S * 9/2010 Peschke D24/133
D630,322 S * 1/2011 Speiser D24/133
D631,961 S * 2/2011 Held D24/133
D632,786 S * 2/2011 Risoli D24/133

(Continued)

FOREIGN PATENT DOCUMENTS

WO 2012112211 A2 8/2012

OTHER PUBLICATIONS

Van Veelen et al., New ergonomic design criteria for handles of laparoscopic dissection forceps. *J Laparoendosc Adv Surg Tech A*. Feb. 2011;11(1):17-26.

(Continued)

Primary Examiner — Eliza Z Bennett-Hattan

(74) *Attorney, Agent, or Firm* — McCarter & English, LLP

(57) **CLAIM**

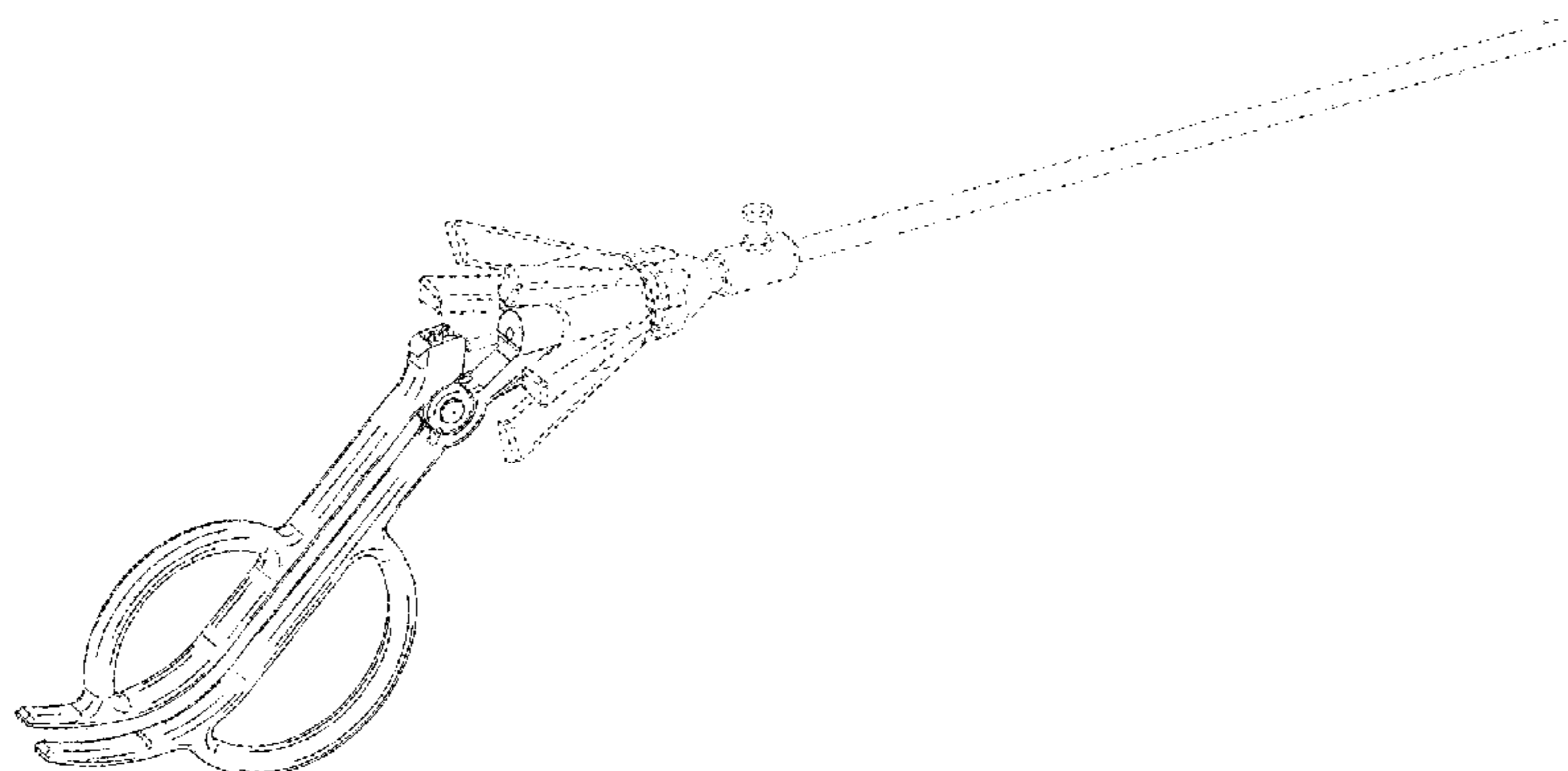
The ornamental design for a handle for a laparoscopic surgery instrument, as shown and described.

DESCRIPTION

FIG. 1 is a rear right perspective view of a handle for laparoscopic surgery instrument;
FIG. 2 is a rear right detailed perspective view thereof;
FIG. 3 is a right side view thereof;
FIG. 4 is a left side view thereof;
FIG. 5 is a front end view thereof;
FIG. 6 is a back end view thereof;
FIG. 7 is a top view thereof; and,
FIG. 8 is a bottom view thereof.

All features illustrated in broken line are expressly disclaimed and form no part of the claimed design.

1 Claim, 6 Drawing Sheets



(56)

References Cited

U.S. PATENT DOCUMENTS

D633,613 S * 3/2011 Risoli D24/133
D644,734 S * 9/2011 Sullivan D24/133
D661,800 S * 6/2012 Besse D24/133
D663,835 S * 7/2012 Besse D24/133
D666,291 S * 8/2012 Baehr D24/133
D670,380 S * 11/2012 Sapalev D24/133
D692,560 S * 10/2013 Kaercher D24/133
D698,920 S * 2/2014 Strobel D24/133
8,715,299 B2 5/2014 Menn et al.
D717,949 S * 11/2014 Peschke D24/133
D796,042 S 8/2017 Eubanks
2001/0025177 A1 9/2001 Woloszko et al.
2007/0287993 A1 12/2007 Hinman et al.
2015/0133736 A1 5/2015 Henzler et al.
2017/0056101 A1 3/2017 Eubanks

OTHER PUBLICATIONS

U.S. Appl. No. 29/537,984, filed Aug. 31, 2015, U.S. Pat. No. D.
796,042, Issued.
U.S. Appl. No. 15/251,131, filed Aug. 30, 2016, 2017-0056101,
Pending.

* cited by examiner

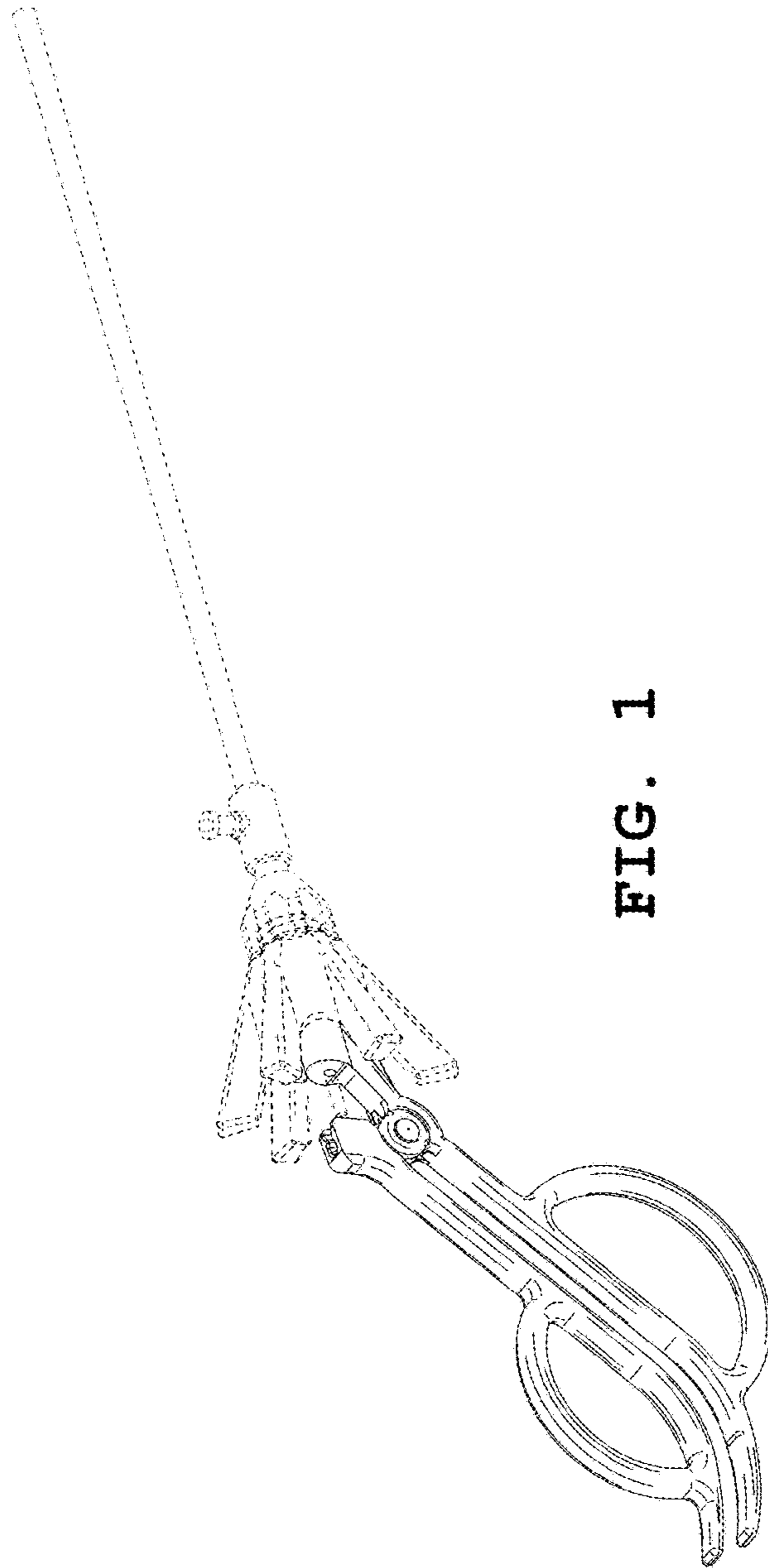


FIG. 1

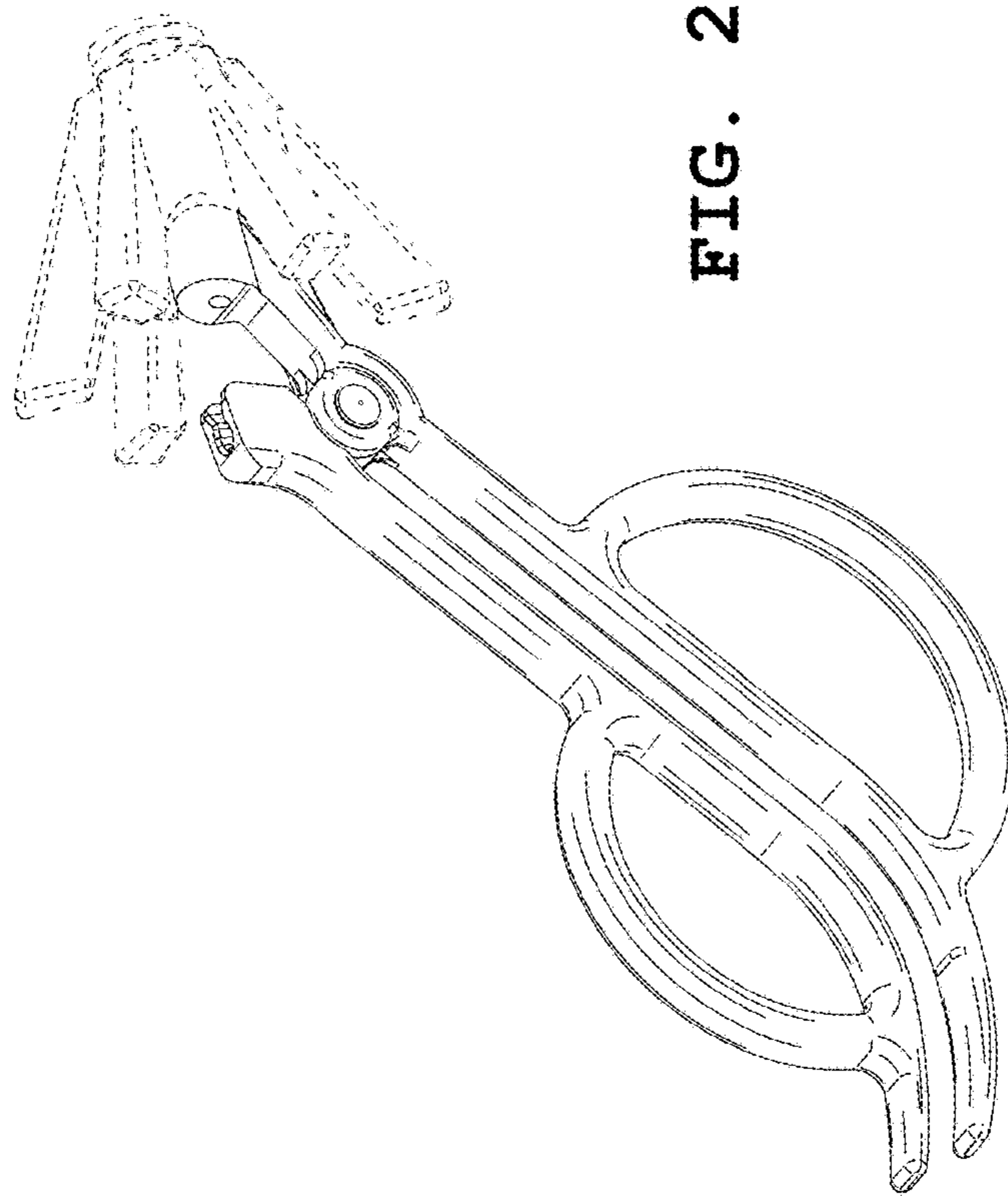


FIG. 2

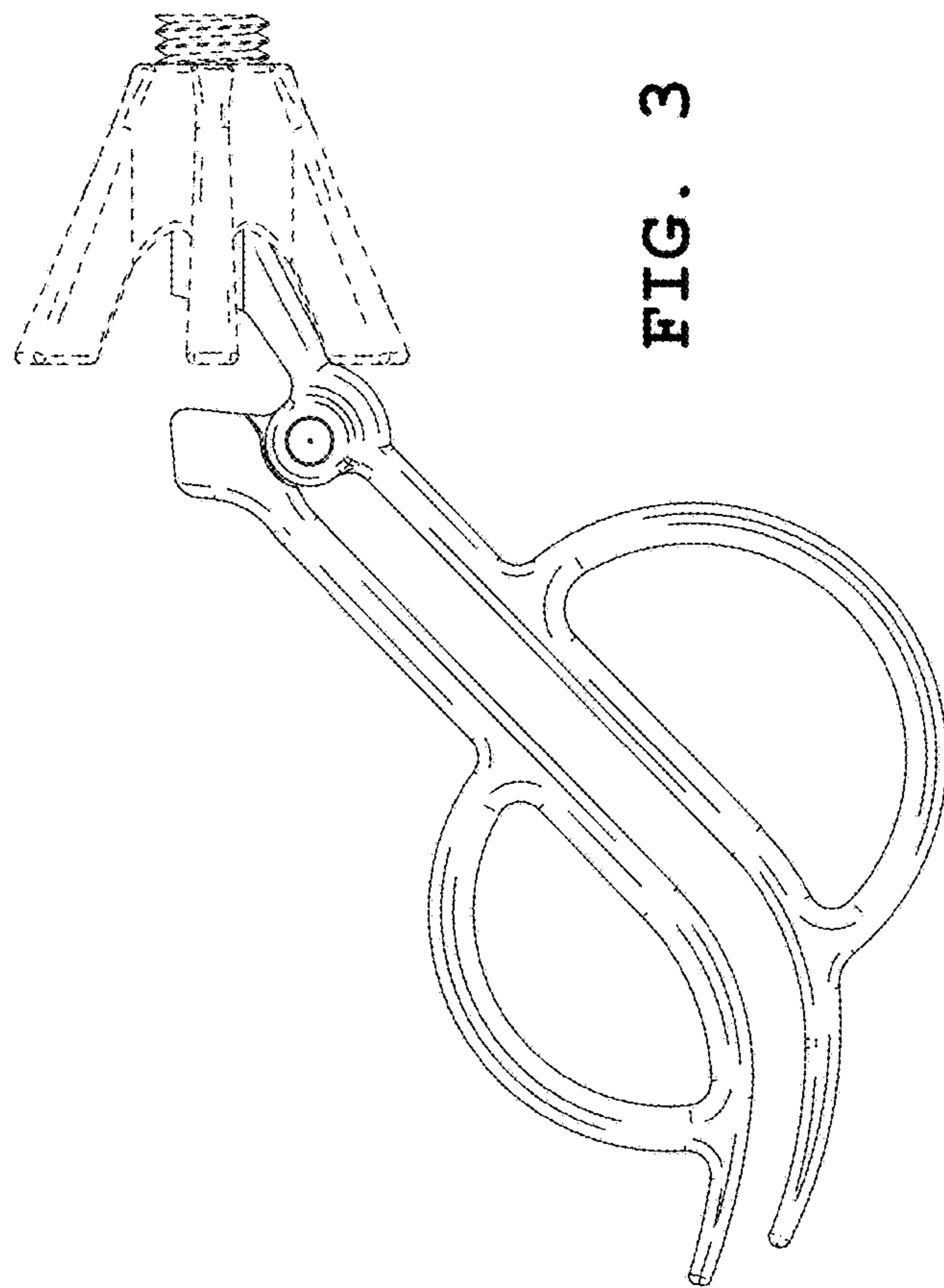


FIG. 3

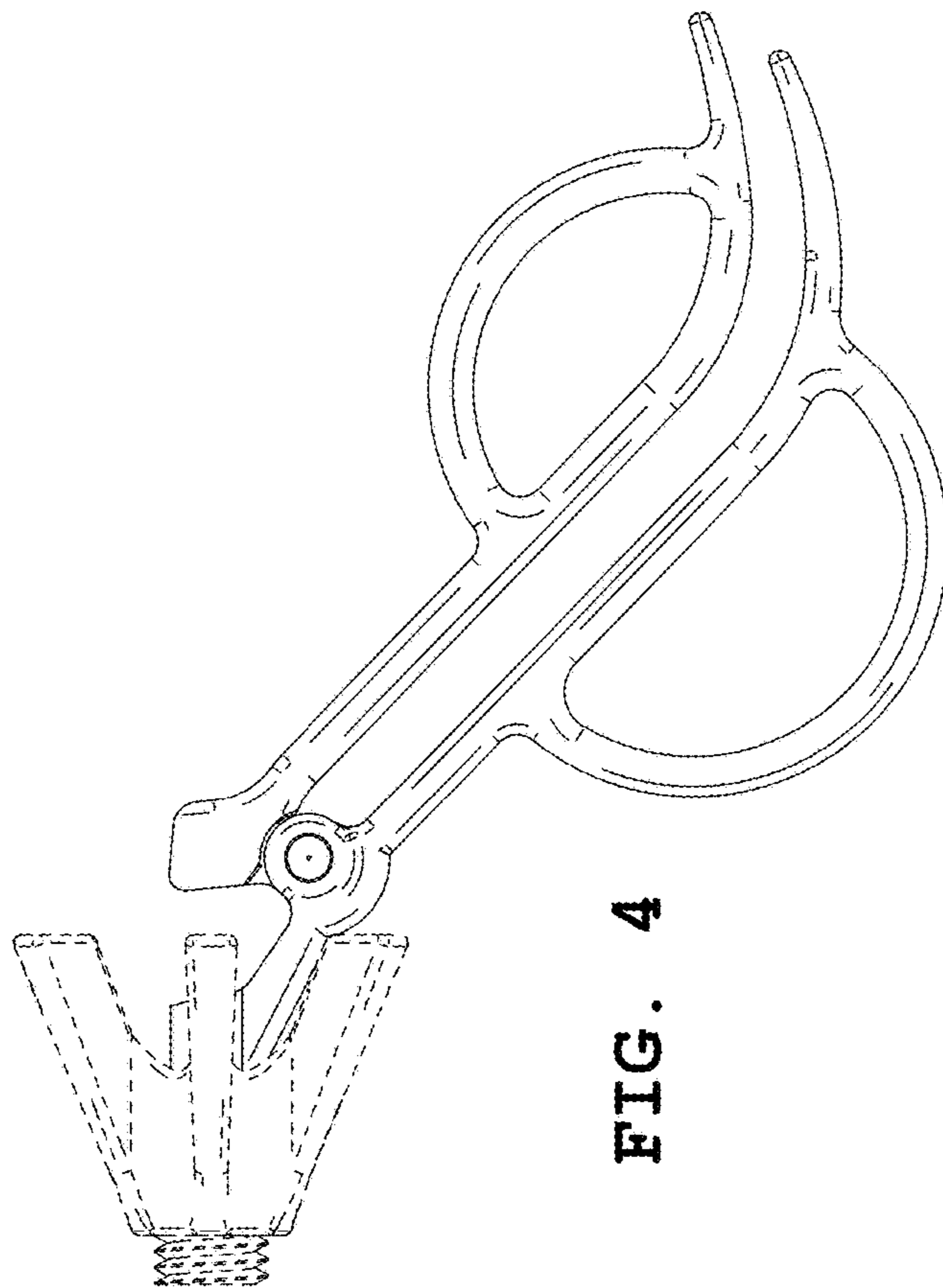


FIG. 4

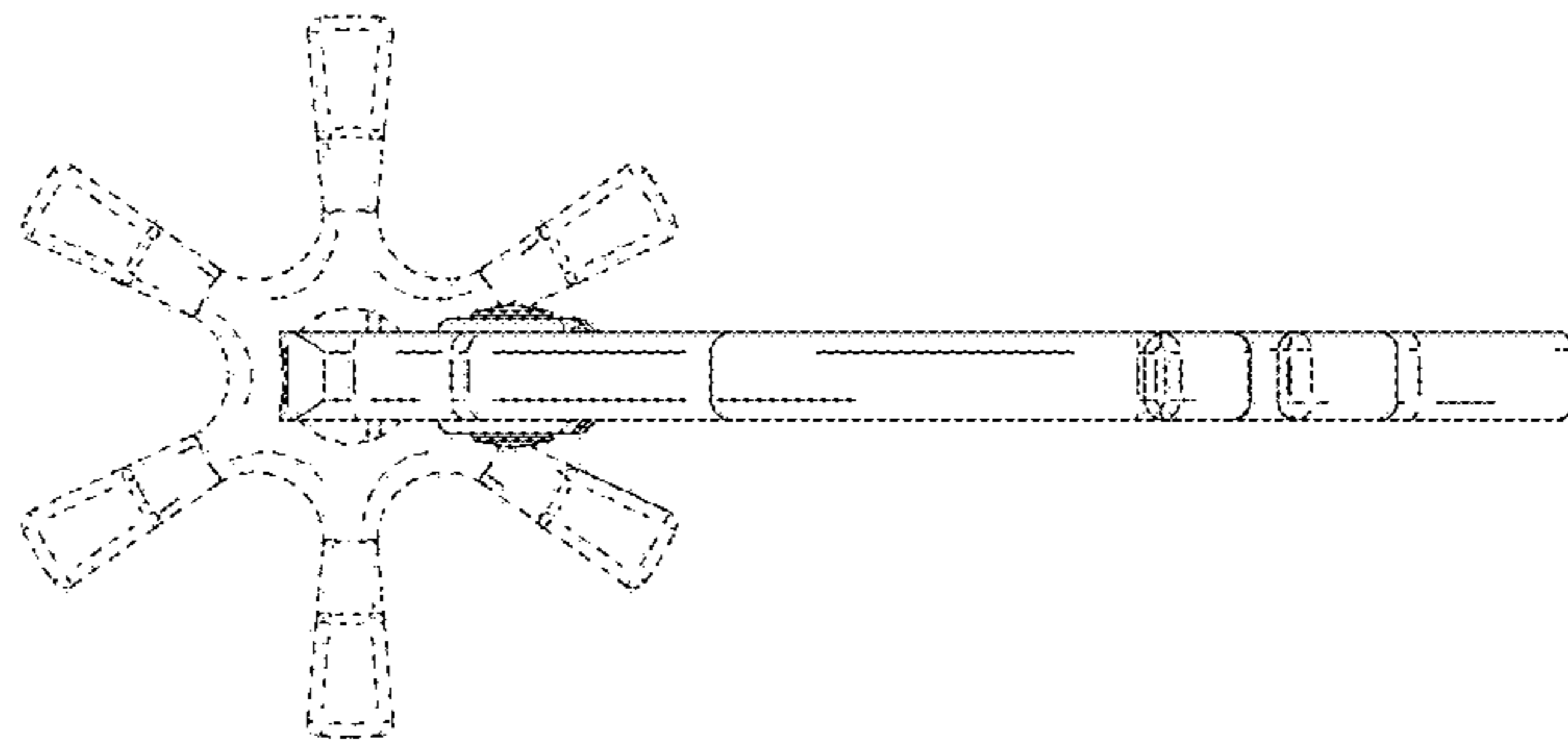


FIG. 6

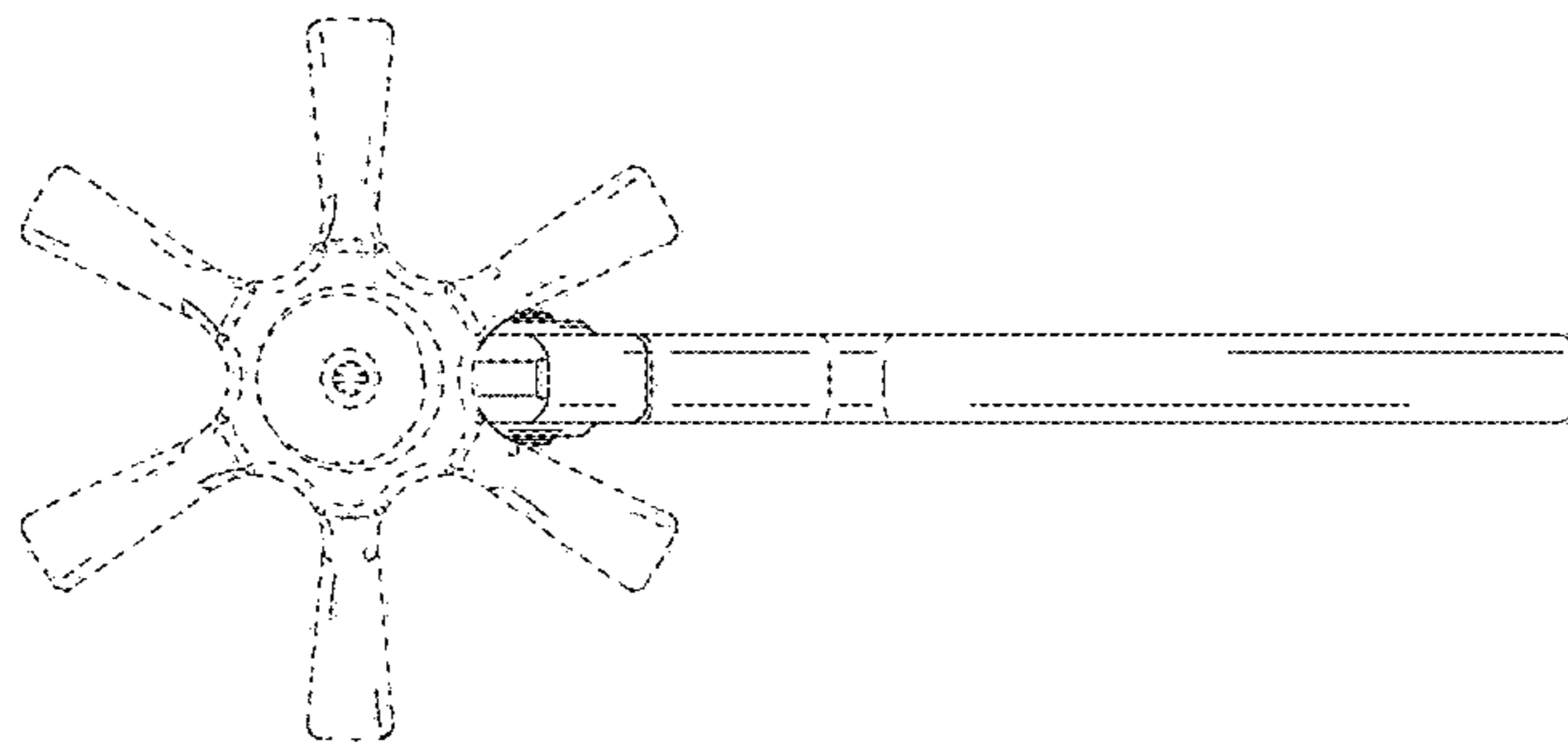


FIG. 5

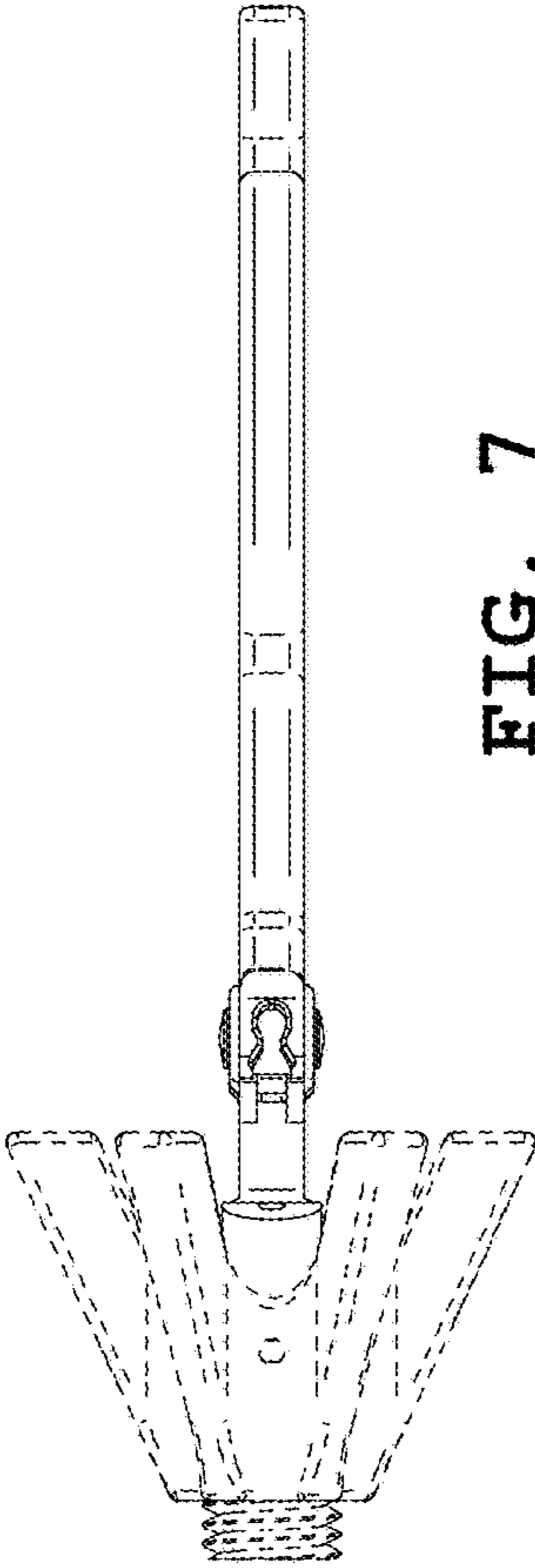


FIG. 7

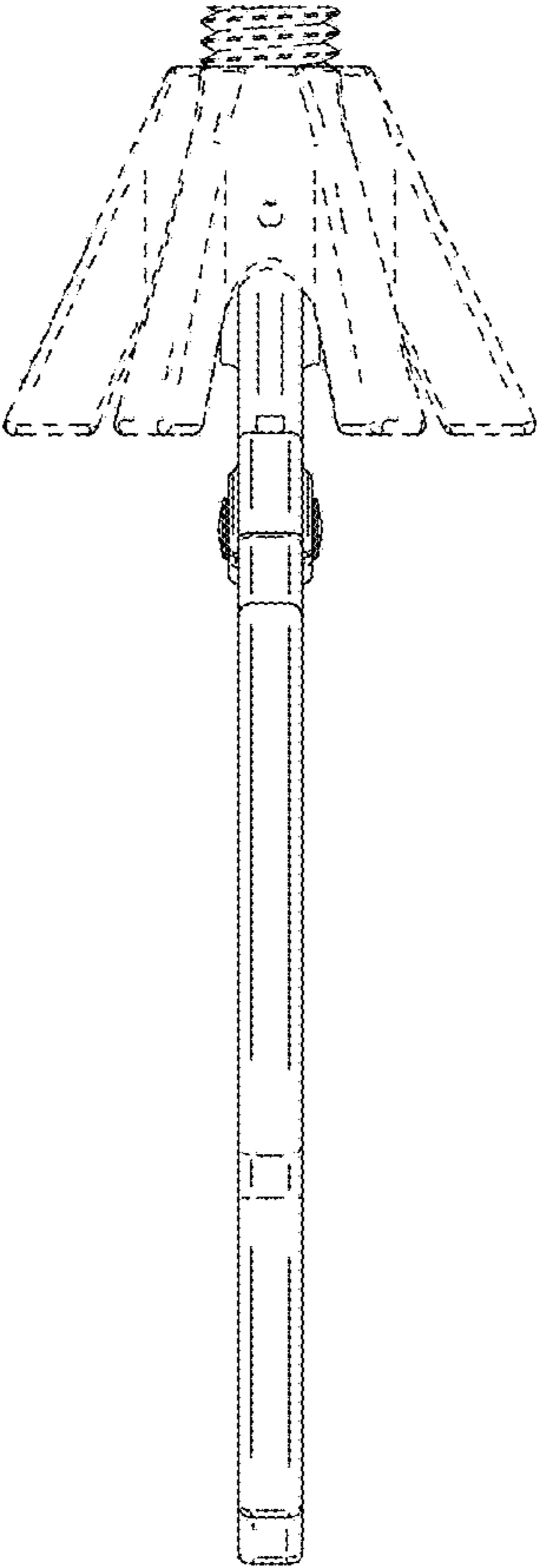


FIG. 8