



US00D868246S

(12) **United States Design Patent**
Ogai et al.

(10) **Patent No.:** **US D868,246 S**

(45) **Date of Patent:** **** Nov. 26, 2019**

- (54) **MICRONEEDLE ARRAY**
- (71) Applicant: **ASTI Corporation**, Hamamatsu-shi, Shizuoka (JP)
- (72) Inventors: **Noriyuki Ogai**, Hamamatsu (JP); **Masahiro Takigawa**, Kyoto (JP)
- (73) Assignee: **ASTI CORPORATION**, Hamamatsu-shi, Shizuoka (JP)
- (**) Term: **15 Years**
- (21) Appl. No.: **29/635,022**
- (22) Filed: **Jan. 26, 2018**
- (30) **Foreign Application Priority Data**
Jul. 28, 2017 (JP) 2017-016335
- (51) **LOC (12) Cl.** **24-02**
- (52) **U.S. Cl.**
USPC **D24/112**
- (58) **Field of Classification Search**
USPC D24/112-114, 108, 133, 130, 127, 186; 606/181, 185; 604/173, 264, 272, 187, 604/181, 184, 227
CPC A61M 2037/0023; A61M 37/0015; A61M 5/178; A61M 3/00; A61M 5/20; A61M 5/31; A61M 5/3146; A61M 5/3129; A61M 5/3148; A61M 5/315
See application file for complete search history.

- 6,881,203 B2 * 4/2005 Delmore A61M 37/0015 604/272
- 7,108,681 B2 * 9/2006 Gartstein A45D 26/0004 602/56
- 7,984,929 B2 * 7/2011 Gill A61M 39/10 285/124.3
- 8,506,530 B2 * 8/2013 Laermer A61B 17/205 604/173
- 8,636,696 B2 * 1/2014 Ross A61M 37/0015 604/173
- 8,696,637 B2 * 4/2014 Ross A61M 5/14248 604/173
- 8,834,423 B2 * 9/2014 Falo, Jr. A61M 37/0015 604/173
- 9,028,463 B2 * 5/2015 Nozaki A61B 17/205 424/206.1
- 9,533,131 B2 * 1/2017 Sugimura B29C 67/00
- 9,586,044 B2 * 3/2017 Ross A61M 37/0015
- 9,597,490 B2 * 3/2017 Berenschot A61M 37/0015
- 9,775,799 B2 * 10/2017 Sugahara A61K 47/12

(Continued)

Primary Examiner — David G Muller
(74) *Attorney, Agent, or Firm* — Manabu Kanesaka

(57) **CLAIM**

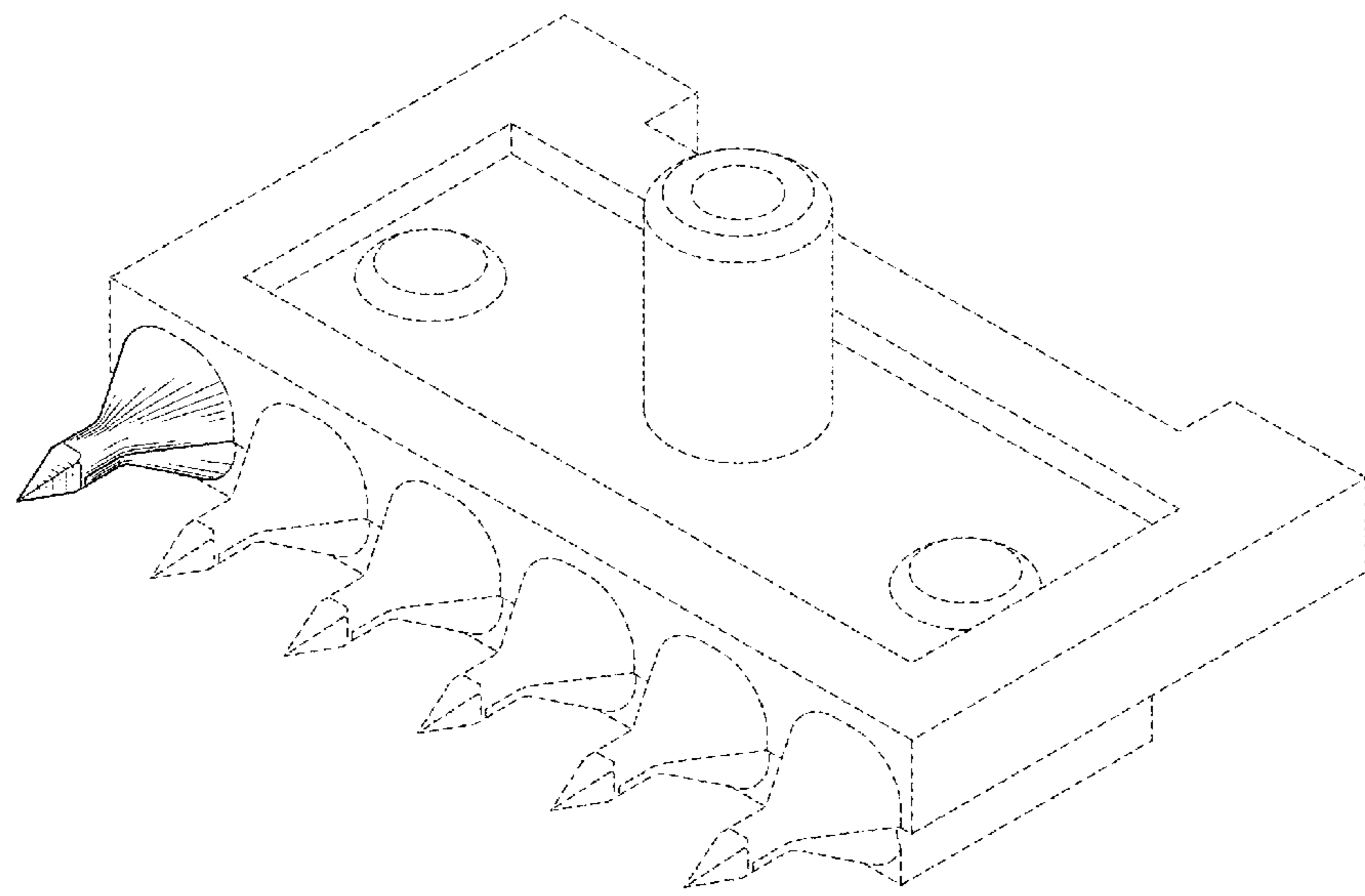
The ornamental design for microneedle array, as shown and described.

DESCRIPTION

FIG. 1 is a front view of a microneedle array showing our new design;
FIG. 2 is a rear view thereof;
FIG. 3 is a right side elevational view thereof;
FIG. 4 is a left side elevational view thereof;
FIG. 5 is a top plan view thereof;
FIG. 6 is a bottom view thereof;
FIG. 7 is a first perspective view thereof; and,
FIG. 8 is a second perspective view thereof.
The broken lines depict portions of the microneedle array that form no part of claimed design.

1 Claim, 8 Drawing Sheets

- (56) **References Cited**
U.S. PATENT DOCUMENTS
3,595,231 A * 7/1971 Pistor A61M 5/3298 604/173
5,417,683 A * 5/1995 Shiao A61B 17/3468 604/173
6,821,281 B2 * 11/2004 Sherman A45D 26/0004 606/131



(56)

References Cited

U.S. PATENT DOCUMENTS

9,968,766	B2 *	5/2018	Wakamatsu	A61M 37/00
10,064,950	B2 *	9/2018	Naheed	A61K 36/185
10,201,691	B2 *	2/2019	Berry	A61M 37/0015
10,232,157	B2 *	3/2019	Berry	A61B 5/150984
10,265,511	B2 *	4/2019	McAllister	A61M 37/0015
10,300,261	B2 *	5/2019	Shiomitsu	B81B 1/00

* cited by examiner

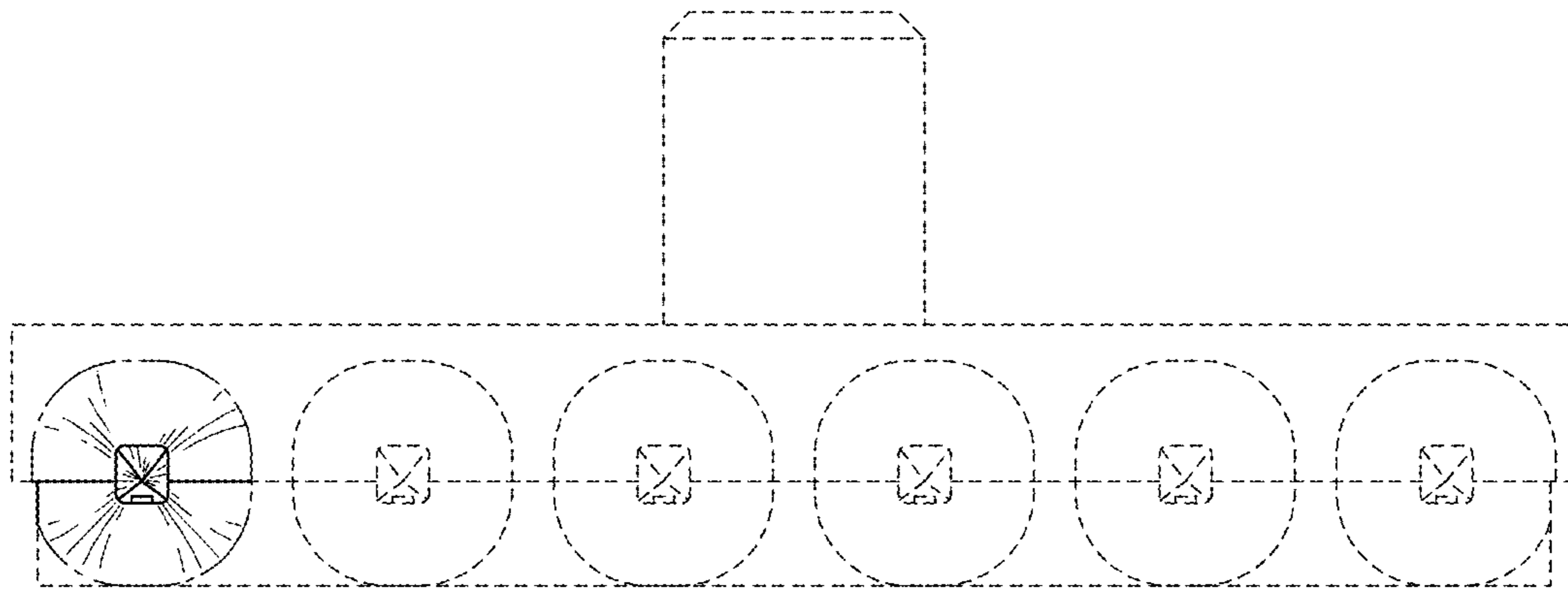


FIG. 1

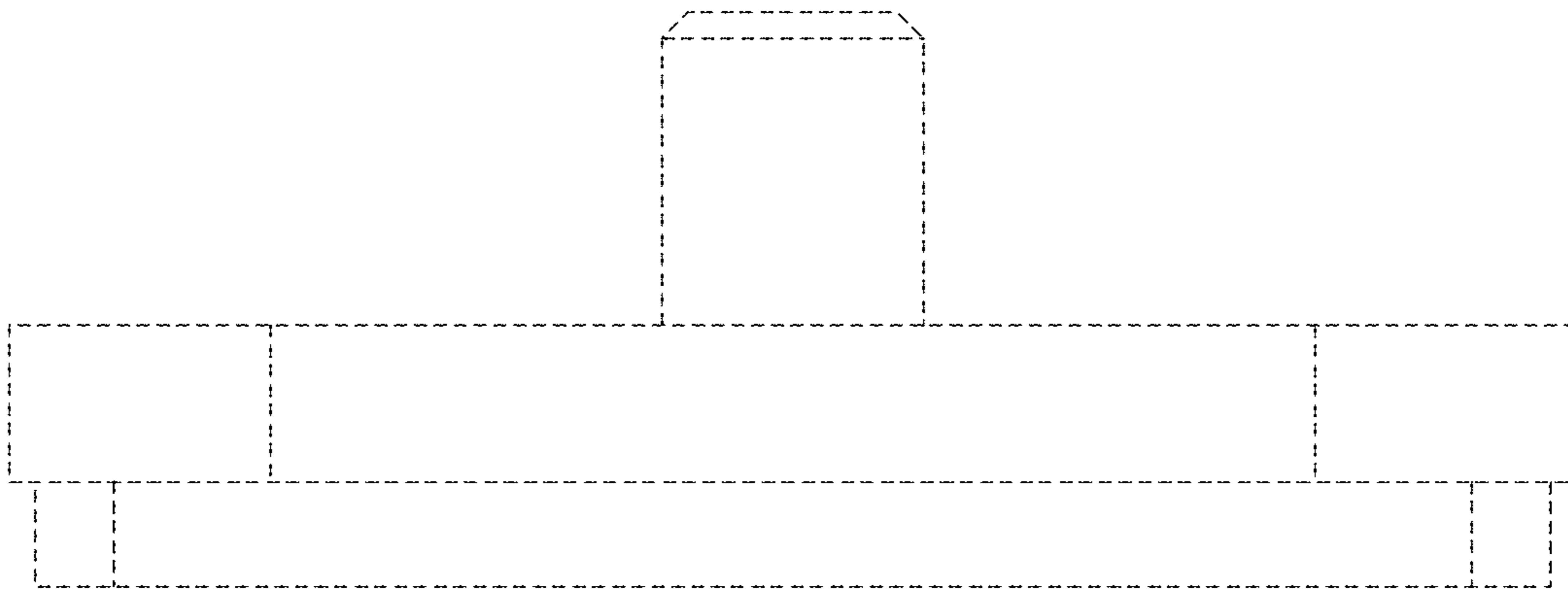


FIG. 2

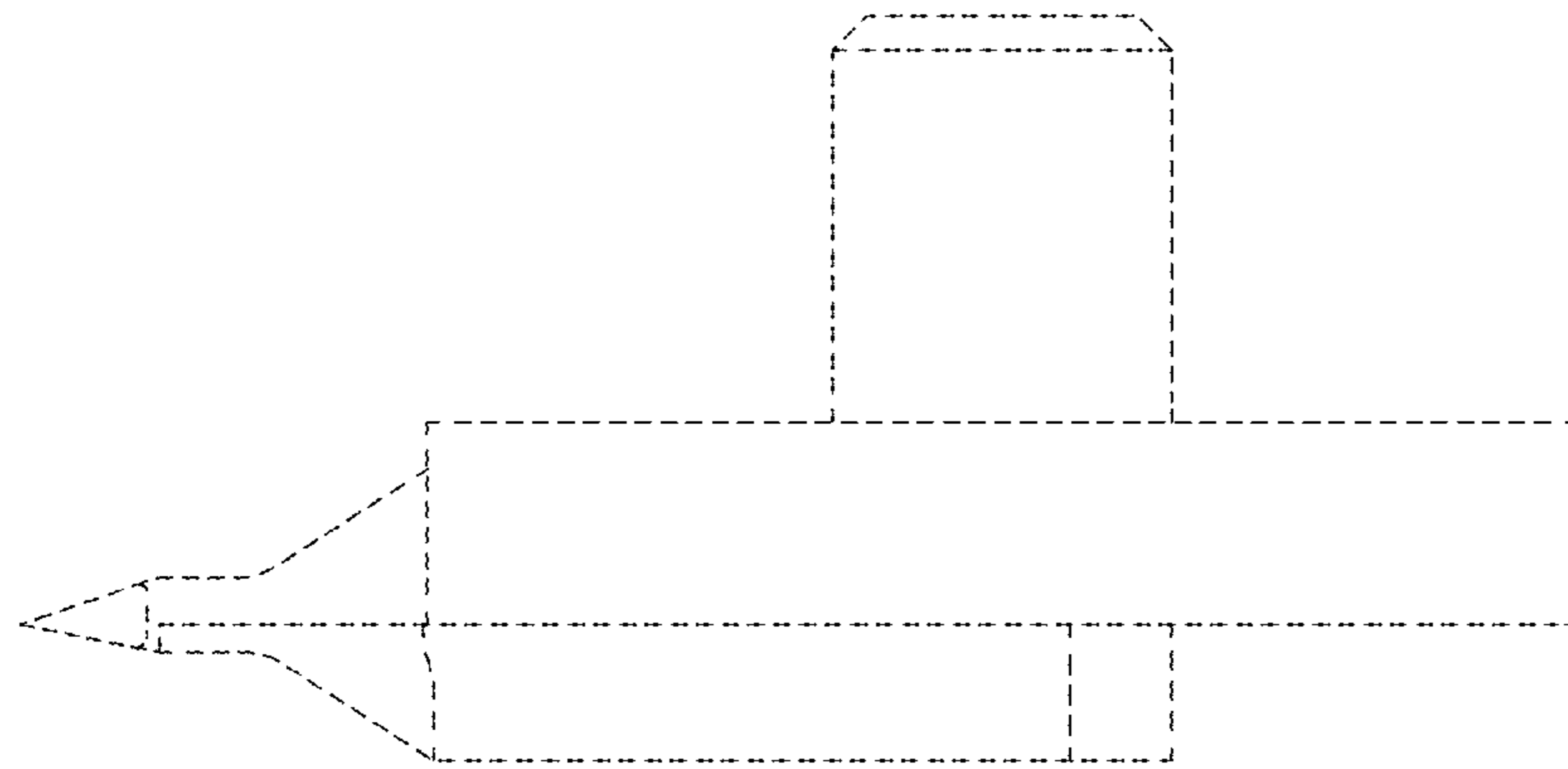


FIG. 3

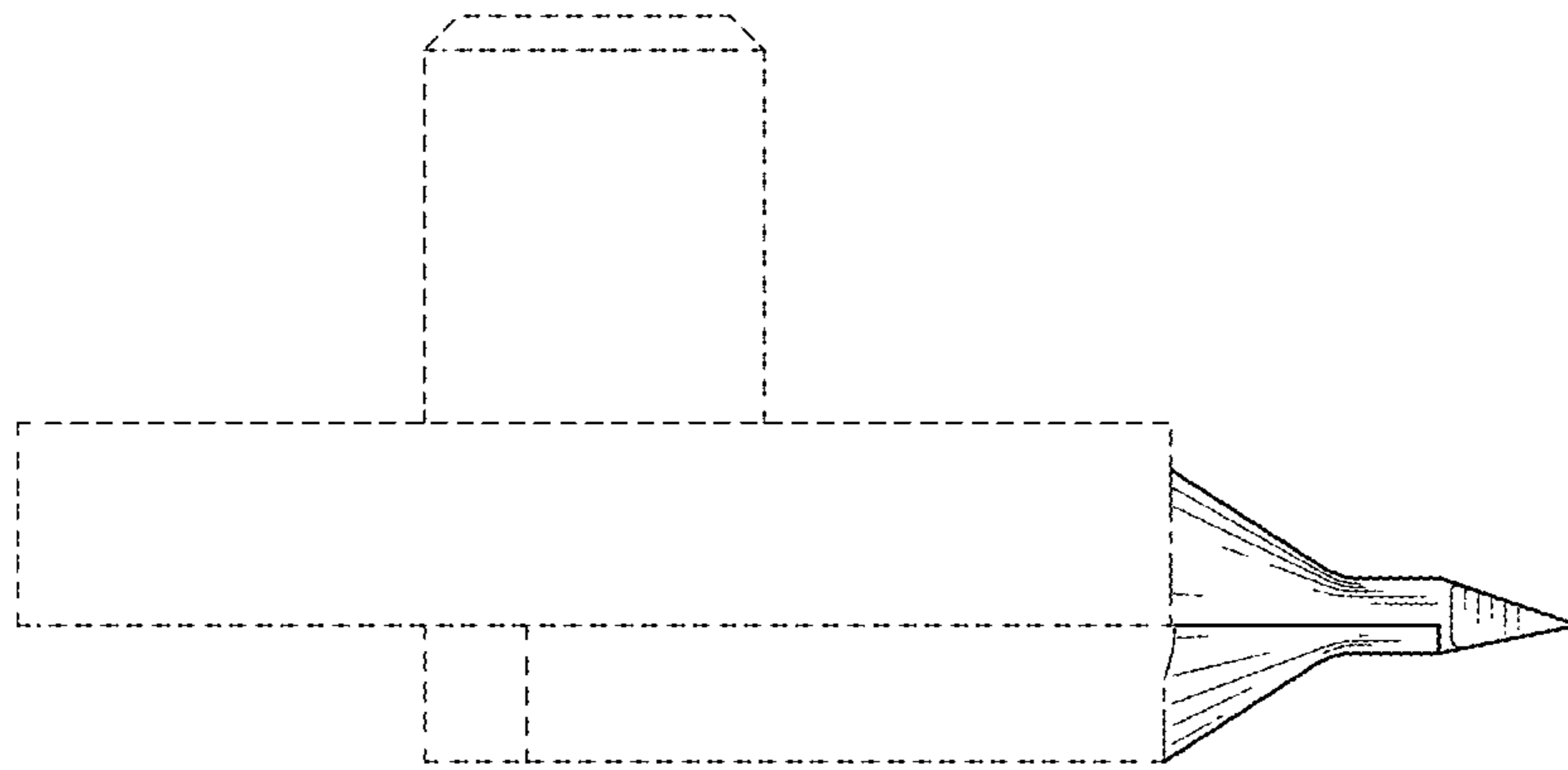


FIG. 4

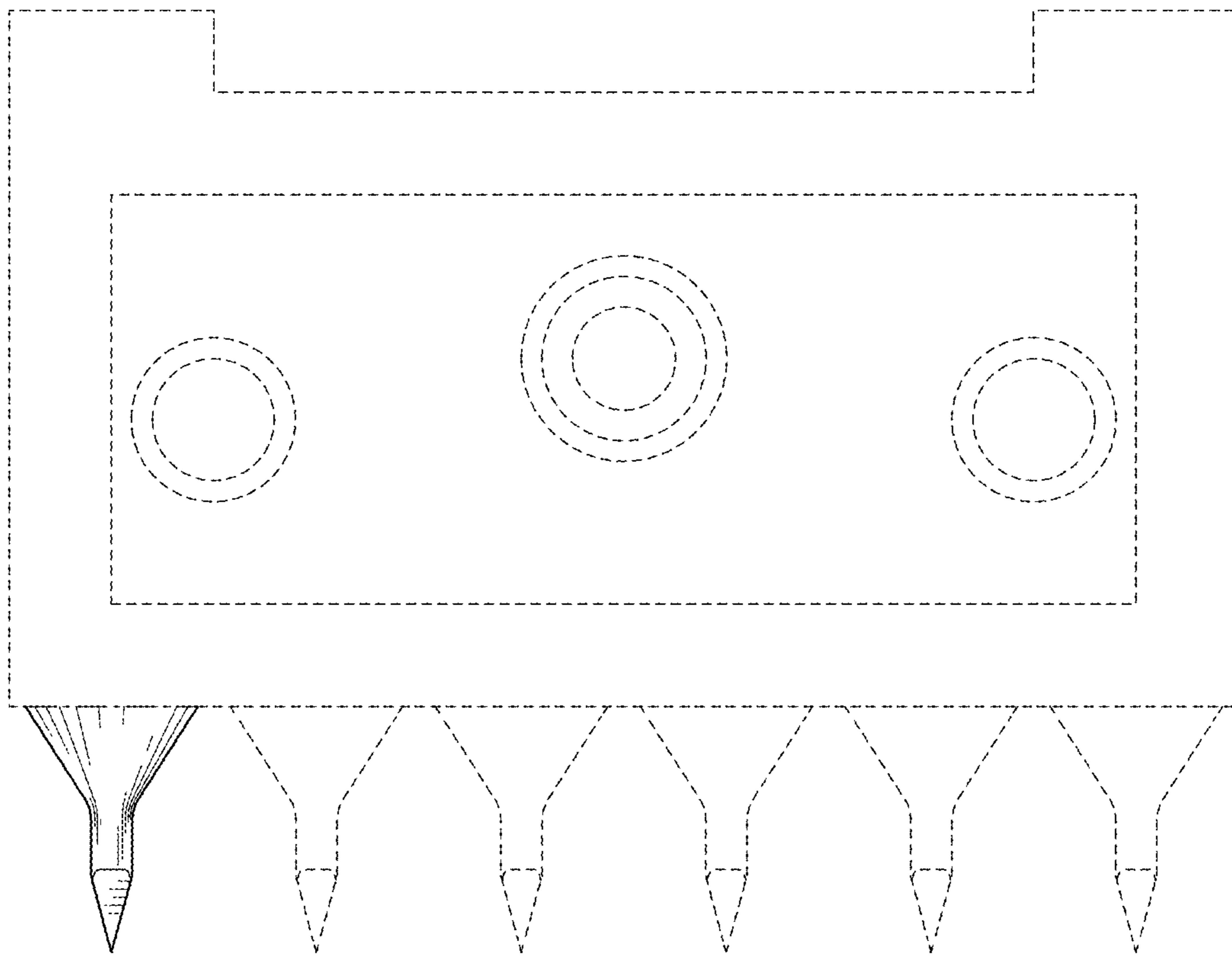


FIG. 5

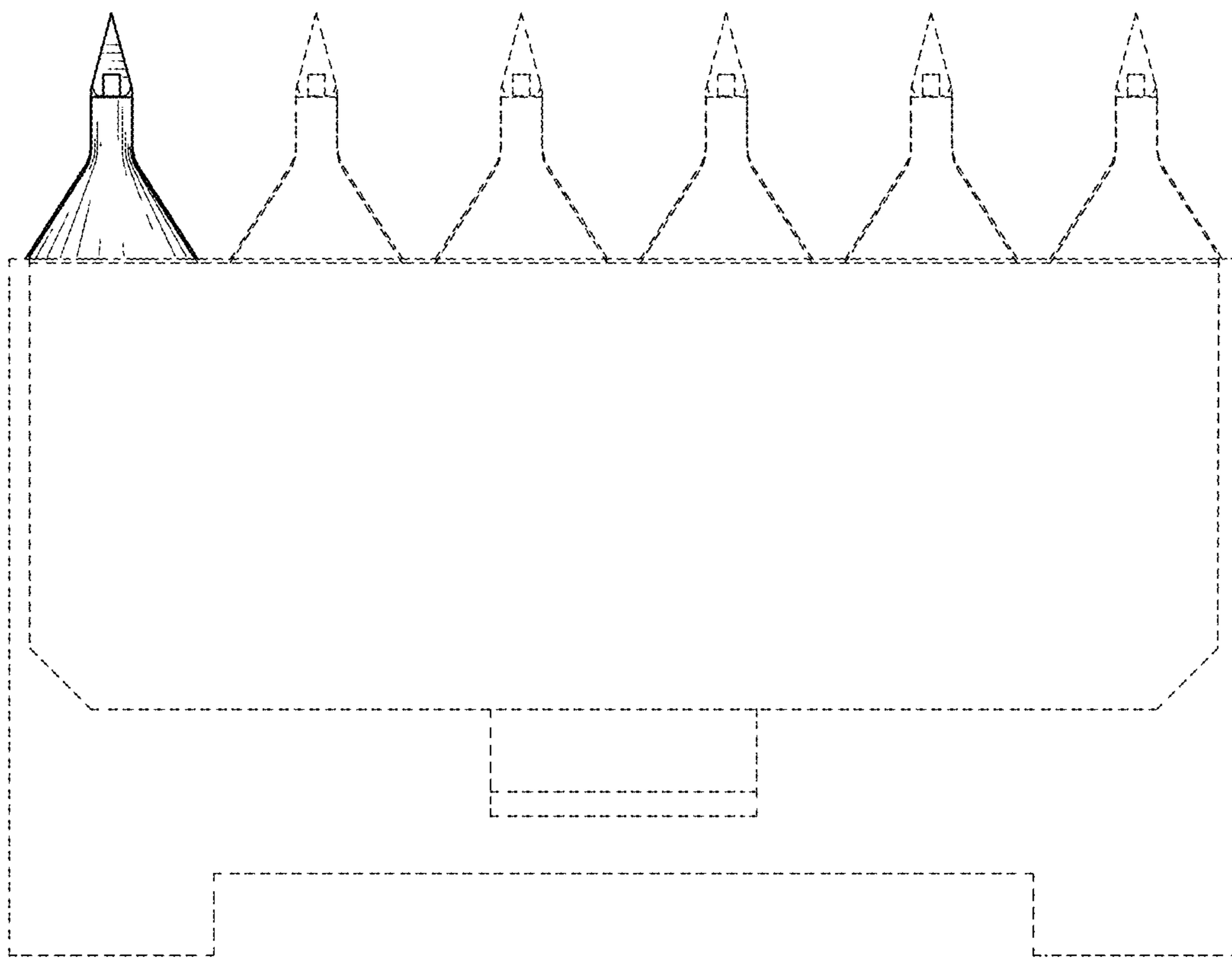


FIG. 6

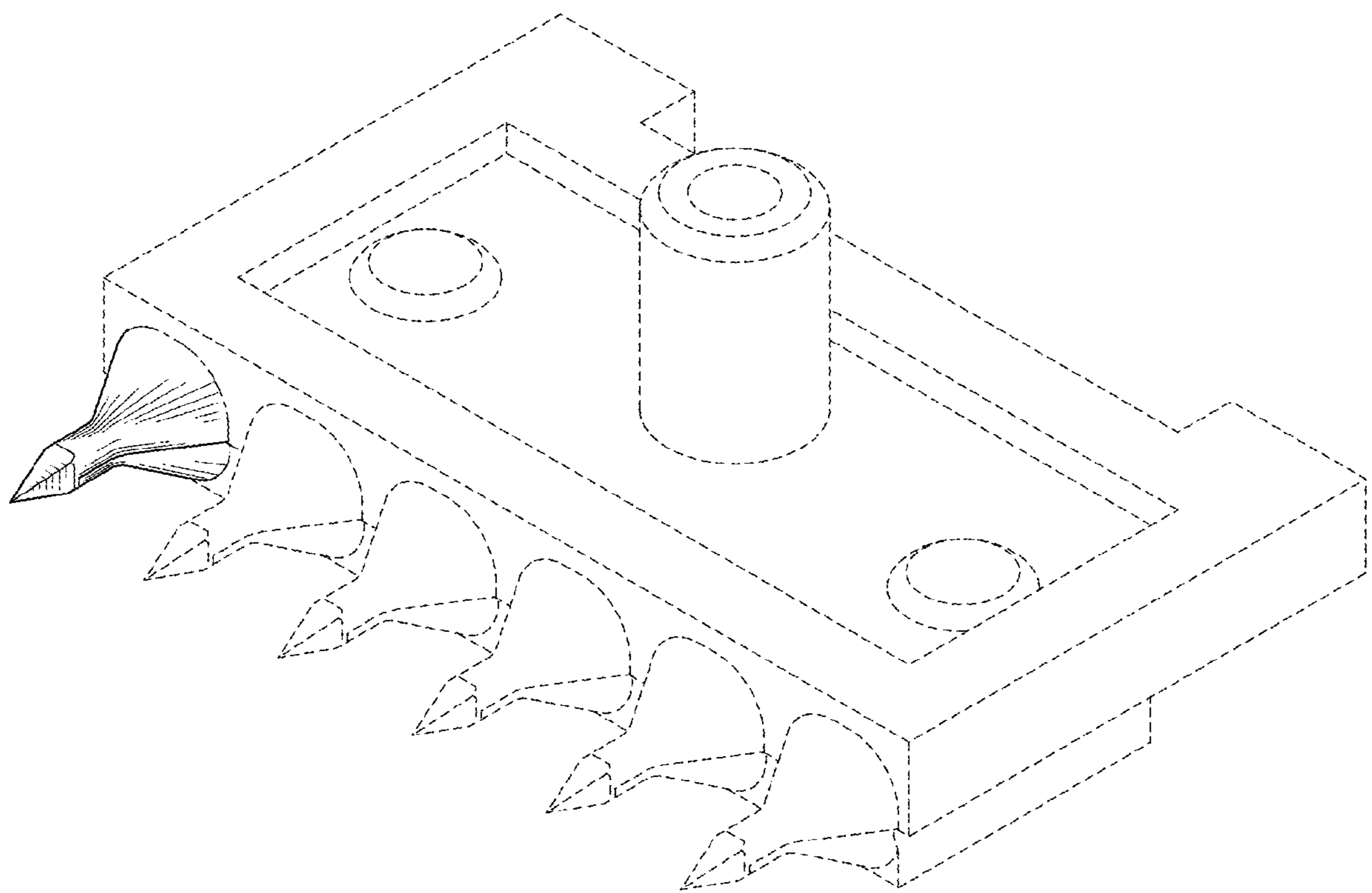


FIG. 7

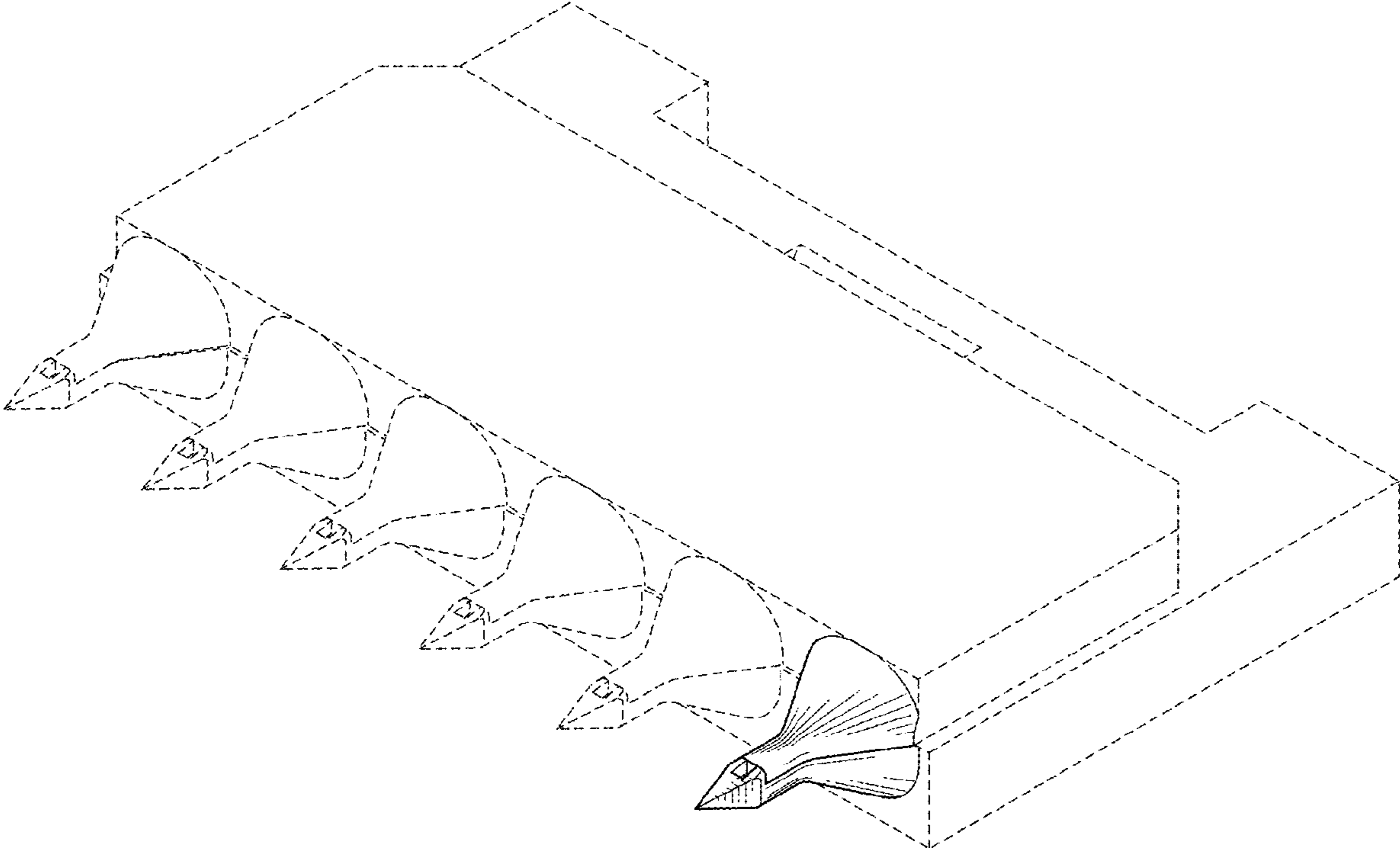


FIG. 8