



US00D868244S

(12) **United States Design Patent** (10) **Patent No.:** **US D868,244 S**
Cox et al. (45) **Date of Patent:** **** Nov. 26, 2019**

(54) **HOUSING FOR AN AUTO INJECTOR**

FOREIGN PATENT DOCUMENTS

(71) Applicant: **GlaxoSmithKline Intellectual Property Management Limited**, Brentford, Middlesex (GB)

AU 141659 S 8/2000
AU 145550 S 10/2001
(Continued)

(72) Inventors: **Mark Anthony Cox**, Ware (GB); **Joseph John Fire**, Rockville, MD (US); **Michelle Nicole Kwasny**, Cambridge, MA (US); **Scott Robert Mackie**, Cambridge, MA (US); **Robert John McCaffrey**, Hollis, NH (US); **Jason Lee Robinson**, Cambridge, MA (US); **Gerd Schmieta**, Boston, MA (US)

Primary Examiner — David G Muller
(74) *Attorney, Agent, or Firm* — Hao Yin

(57) **CLAIM**

We claim the ornamental design for a housing for an auto injector, as shown and described.

DESCRIPTION

(73) Assignee: **GlaxoSmithKline Intellectual Property Management Limited** (GB)

FIG. 1 is a front perspective view of a housing for an auto injector according to a first embodiment of our new design; FIG. 2 is a right side view thereof; FIG. 3 is a front view thereof; FIG. 4 is a rear view thereof; FIG. 5 is a left side view thereof; FIG. 6 is a top plan view thereof; FIG. 7 is a bottom plan view thereof; FIG. 8 is a rear perspective view thereof; FIG. 9 is a front perspective view of a housing for an auto injector according to a second embodiment of our new design which includes a color contrast; FIG. 10 is a right side view thereof; FIG. 11 is a front view thereof; FIG. 12 is a rear view thereof; FIG. 13 is a left side view thereof; FIG. 14 is a top plan view thereof; FIG. 15 is a bottom plan view thereof; FIG. 16 is a rear perspective view thereof; FIG. 17 is a front perspective view of a housing for an auto injector according to a third embodiment of our new design which includes a color contrast; FIG. 18 is a right side view thereof; FIG. 19 is a front view thereof; FIG. 20 is a rear view thereof; FIG. 21 is a left side view thereof; FIG. 22 is a top plan view thereof; FIG. 23 is a bottom plan view thereof;

(**) Term: **15 Years**

(21) Appl. No.: **29/604,328**

(22) Filed: **May 17, 2017**

Related U.S. Application Data

(62) Division of application No. 29/490,267, filed on May 8, 2014, now Pat. No. Des. 790,686.

(51) **LOC (12) Cl.** **24-02**

(52) **U.S. Cl.**
USPC **D24/112**

(58) **Field of Classification Search**
USPC D24/112-114, 108, 133, 130, 127, 186;
606/181, 185; 604/264, 272, 187, 181,
604/184, 227

(Continued)

(56) **References Cited**

U.S. PATENT DOCUMENTS

4,636,202 A 1/1987 Lowin
5,762,069 A * 6/1998 Kelleher A61B 10/06
600/564

(Continued)

(Continued)

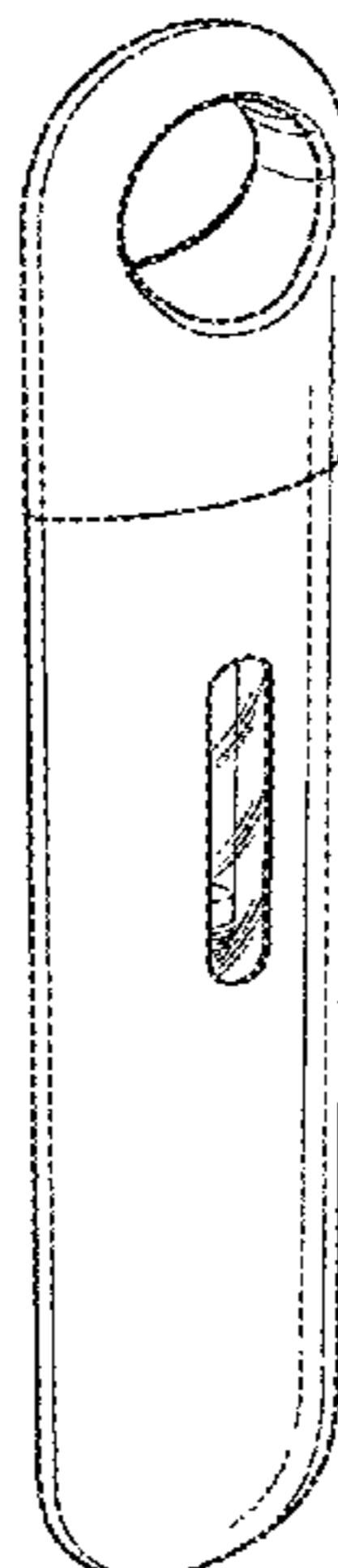


FIG. 24 is an enlarged fragmentary view of the area indicated in dot-dash lines in FIG. 22; and, FIG. 25 is a rear perspective view thereof. The shaded portions of FIGS. 9 to 25 of the drawings represent a color contrast.

1 Claim, 6 Drawing Sheets

(58) Field of Classification Search

CPC A61M 5/178; A61M 3/00; A61M 5/20; A61M 5/31; A61M 5/3146; A61M 5/3129; A61M 5/3148; A61M 5/315

See application file for complete search history.

(56) References Cited

U.S. PATENT DOCUMENTS

RE37,439 E * 11/2001 Firth A61M 5/3243
604/110
6,808,511 B2 * 10/2004 Pond A61M 5/24
604/192
D551,295 S * 9/2007 Chen D19/121
D628,632 S * 12/2010 Liu D19/121
D629,509 S 12/2010 Julian et al.
D641,078 S 7/2011 Morgan
8,057,433 B2 11/2011 Cuca
D650,070 S 12/2011 Mori
D660,419 S 5/2012 Morgan
D671,638 S 11/2012 Young
D703,810 S 4/2014 Sanders
D726,902 S 4/2015 McLoughlin
D735,322 S 7/2015 Tyce et al.
D735,848 S 8/2015 Dubuc
D739,932 S 9/2015 Ratjen
D746,434 S * 12/2015 De Donatis D24/107
D755,956 S 5/2016 McLoughlin
9,468,724 B2 * 10/2016 Evans A61M 5/3202
D789,528 S * 6/2017 Wohlfahrt D24/130
9,694,163 B2 * 7/2017 Chandler A61B 1/00082
D817,961 S * 5/2018 Han D14/426
D819,804 S * 6/2018 Knight D24/113
10,099,013 B2 * 10/2018 McLoughlin A61M 5/24
D841,155 S * 2/2019 McMenamin D24/130
2009/0182284 A1 7/2009 Morgan
2014/0330203 A1 11/2014 McLoughlin

FOREIGN PATENT DOCUMENTS

AU 314895 S 6/2006
AU 304742 S 6/2007
AU 304743 S 6/2007
AU 305020 S 6/2007
AU 314700 S 6/2007
AU 314701 S 6/2007
AU 314702 S 6/2007
AU 314703 S 6/2007
AU 314704 S 6/2007
AU 314705 S 6/2007

AU 314706 S 6/2007
AU 315948 S 9/2007
AU 319680 S 5/2008
AU 320751 S 8/2008
AU 320752 S 8/2008
AU 320753 S 8/2008
AU 321891 S 11/2008
AU 323564 S 1/2009
AU 331790 S 7/2010
AU 340784 S 2/2012
AU 345700 S 11/2012
AU 346919 S 2/2013
AU 350546 S 9/2013
AU 350719 S 9/2013
AU 350720 S 9/2013
AU 350721 S 9/2013
AU 358813 S 3/2014
AU 358814 S 3/2014
AU 358815 S 3/2014
AU 358816 S 3/2014
CL 612-2009 9/2008
CL 613-2009 9/2008
CL 874-2009 10/2008
CL 875-2009 10/2008
CL 288-2013 8/2012
CL 289-2013 8/2012
EM 000007893-0002 4/2003
EM 000837653-0001 12/2007
EM 000981964-0001 8/2008
EM 000981964-0002 8/2008
EM 000981964-0003 8/2008
EM 000981964-0004 8/2008
EM 001798869-0001 12/2010
EP 2274032 B1 1/2011
GB D2048258 6/1995
GB D2079926 12/1998
GB D3006400 8/2002
GB D3006401 8/2002
GB D3006884 9/2002
GB D3006886 9/2002
GB D3006887 9/2002
GB D3006888 9/2002
GB D3006889 9/2002
GB D3006890 9/2002
GB D3006891 9/2002
GB D3006892 9/2002
GB D3006893 9/2002
GB D3006894 9/2002
GB D3006895 9/2002
GB D3006896 9/2002
GB D3006897 9/2002
GB D3026067 9/2006
GB D4001969 3/2007
GB D4001970 3/2007
GB D4034270 2/2014
GB D4035008 3/2014
RU 76137 U 9/2008
TW D141022 S1 6/2011
TW D164872 S 12/2014
WO WO 2006/032385 A1 3/2006
WO WO 2014/033195 A1 3/2014

* cited by examiner

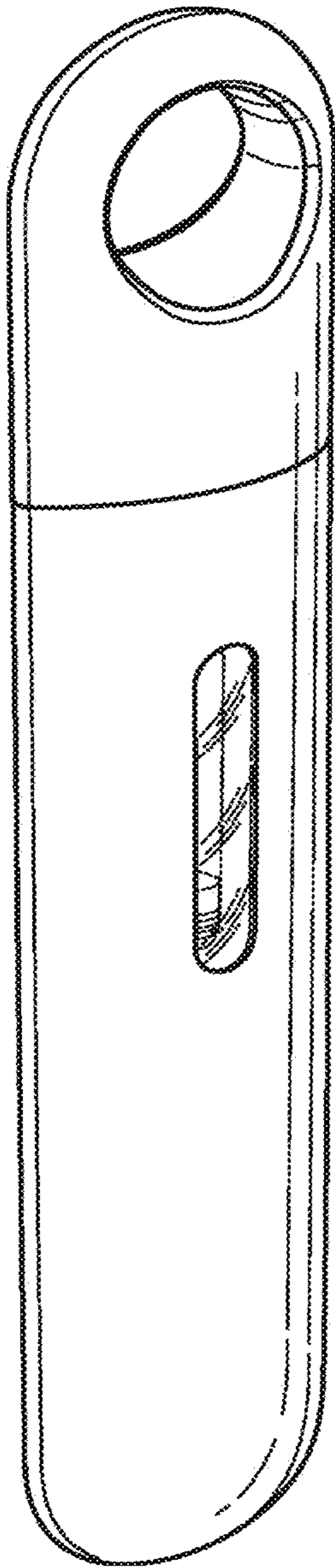


FIG. 1

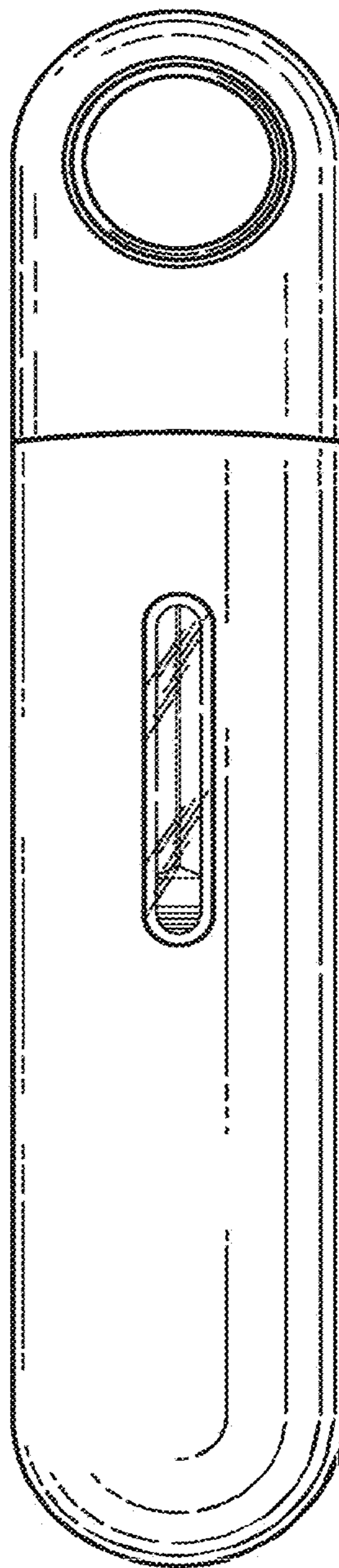


FIG. 3

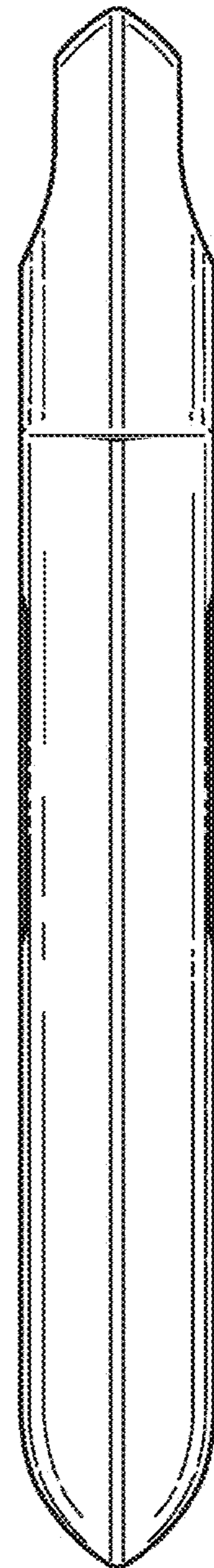


FIG. 2

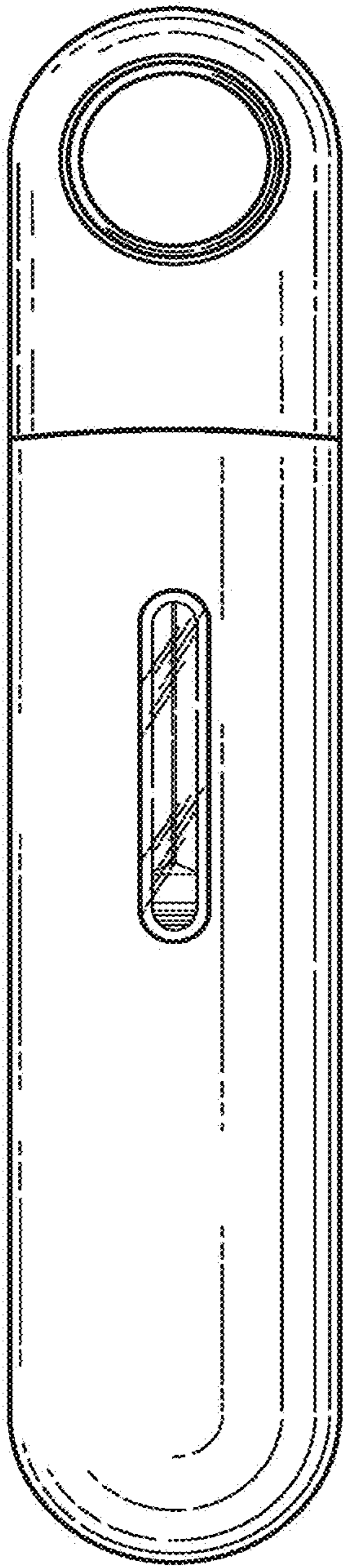


FIG. 4

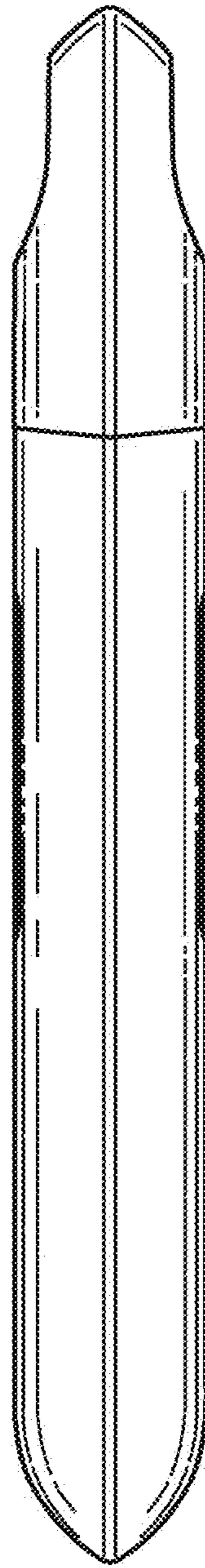


FIG. 5

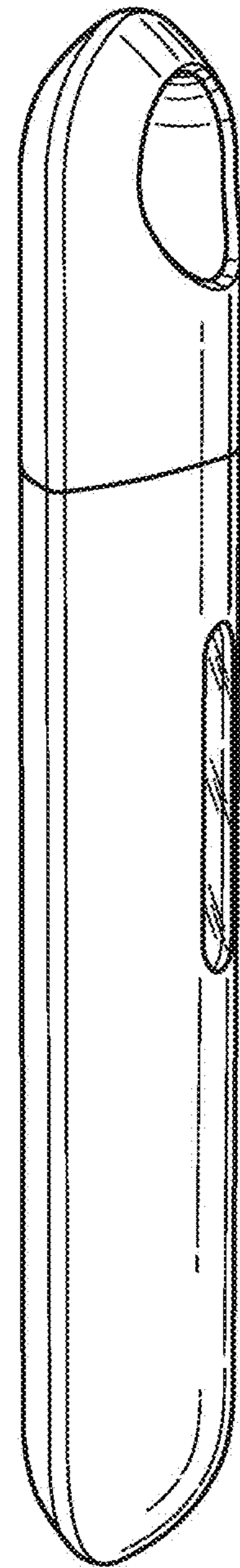


FIG. 8

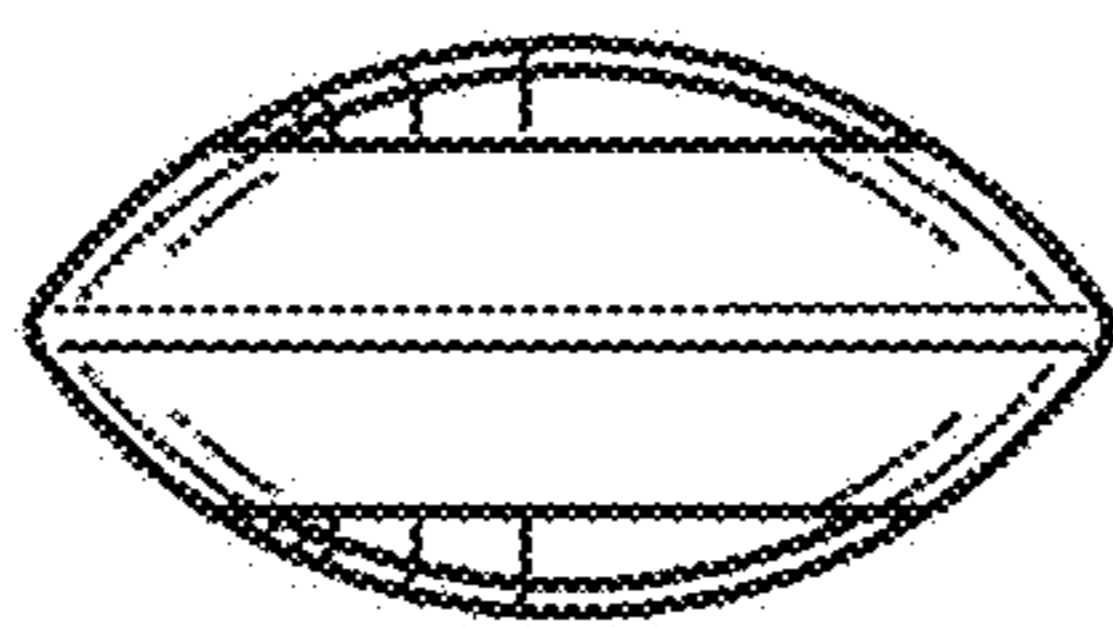


FIG. 6



FIG. 7

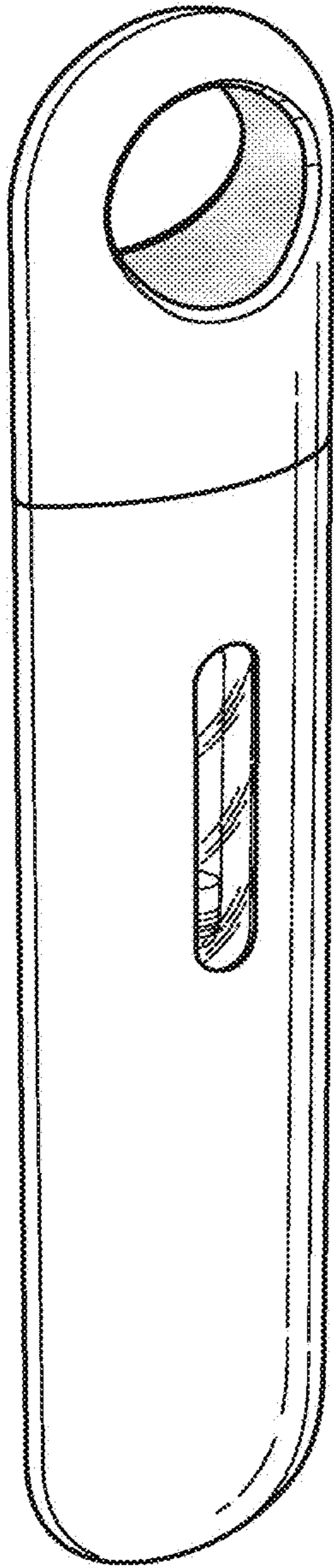


FIG. 9

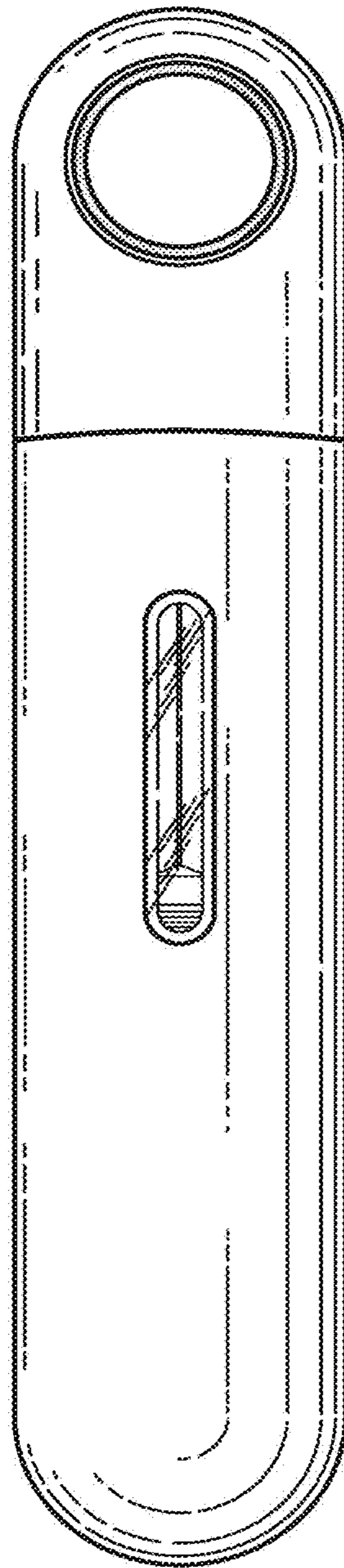


FIG. 11

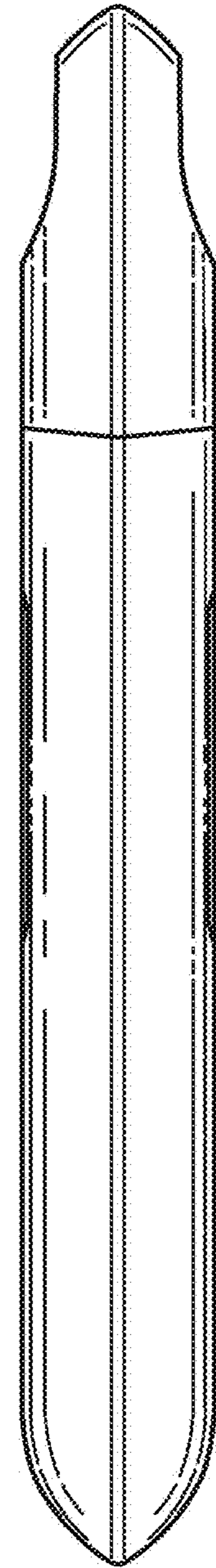


FIG. 10

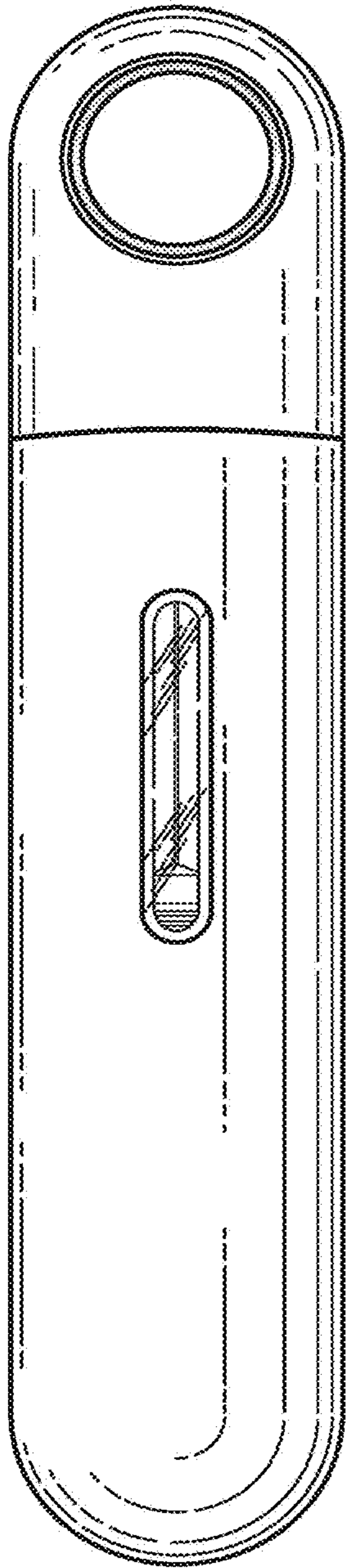


FIG. 12

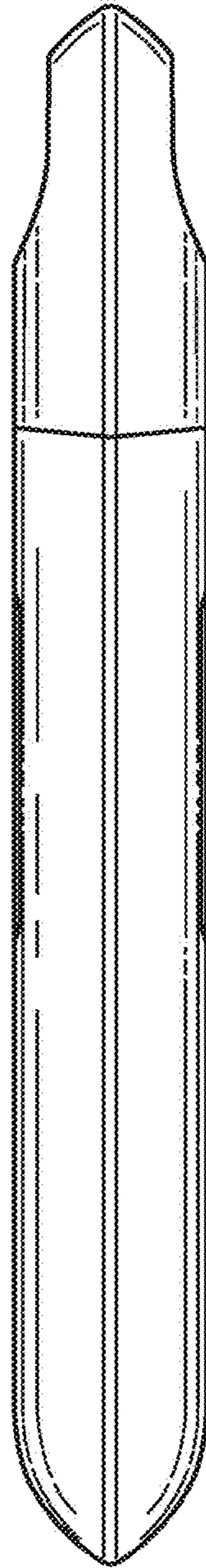


FIG. 13

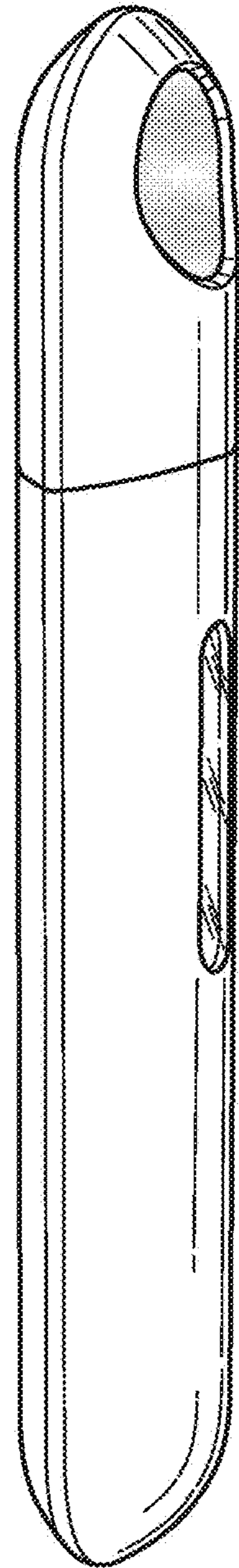


FIG. 16

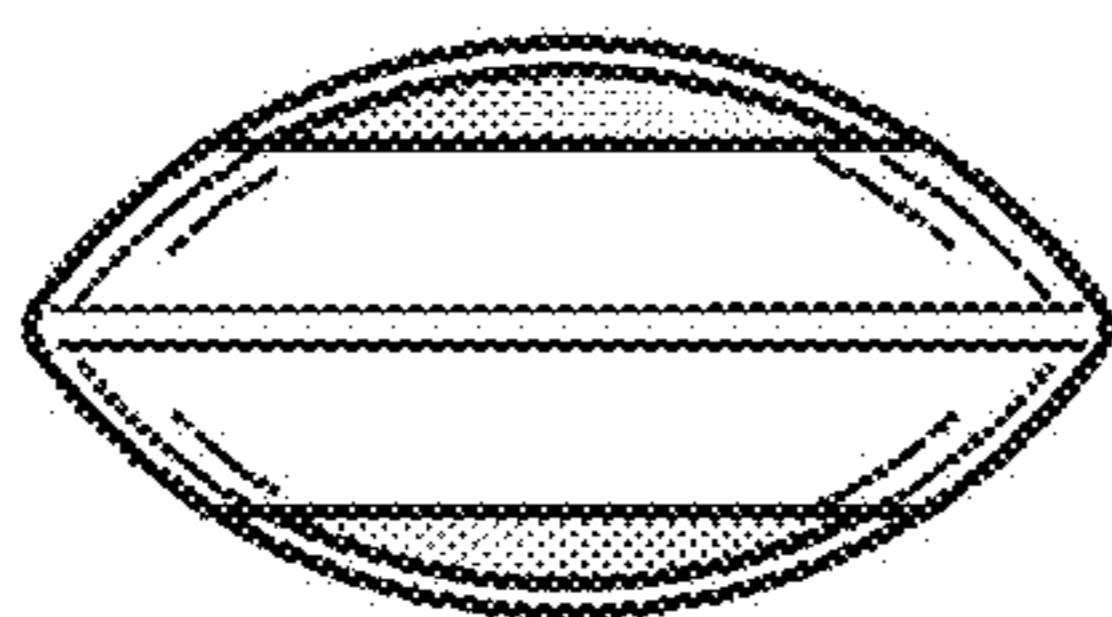


FIG. 14

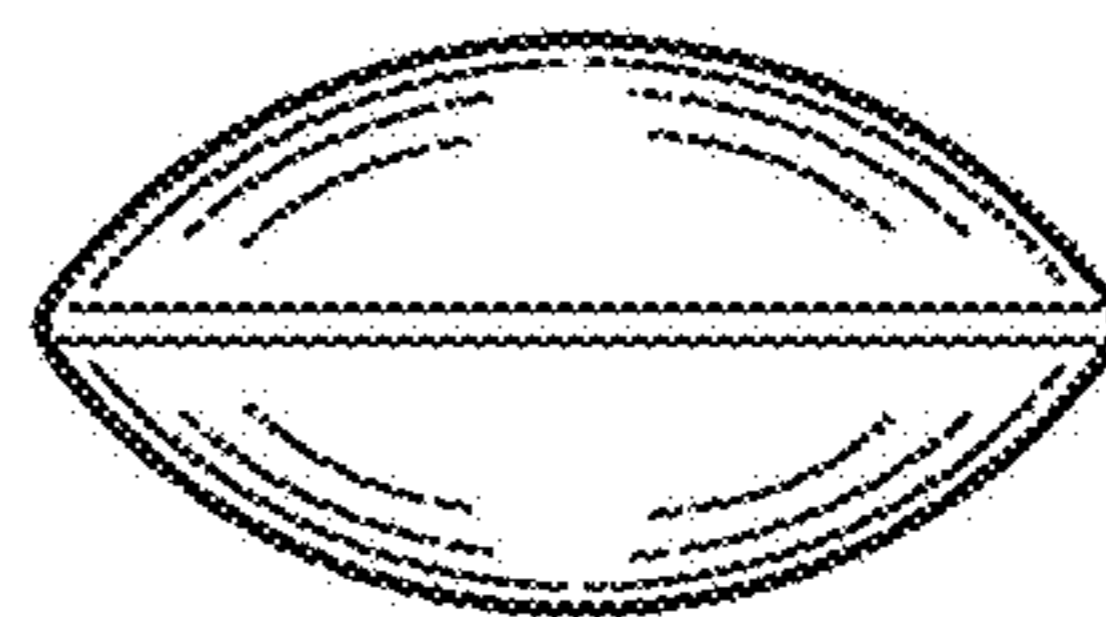


FIG. 15

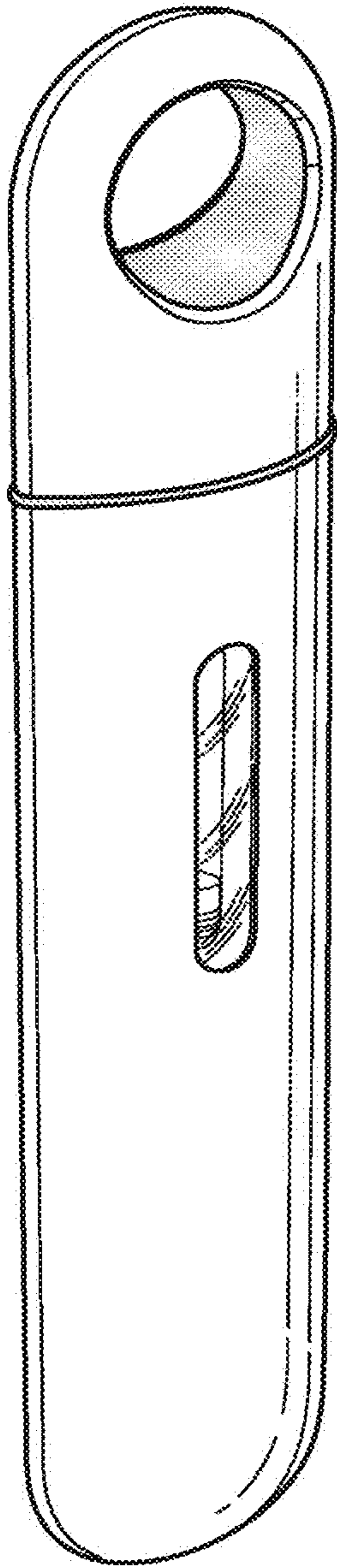


FIG. 17

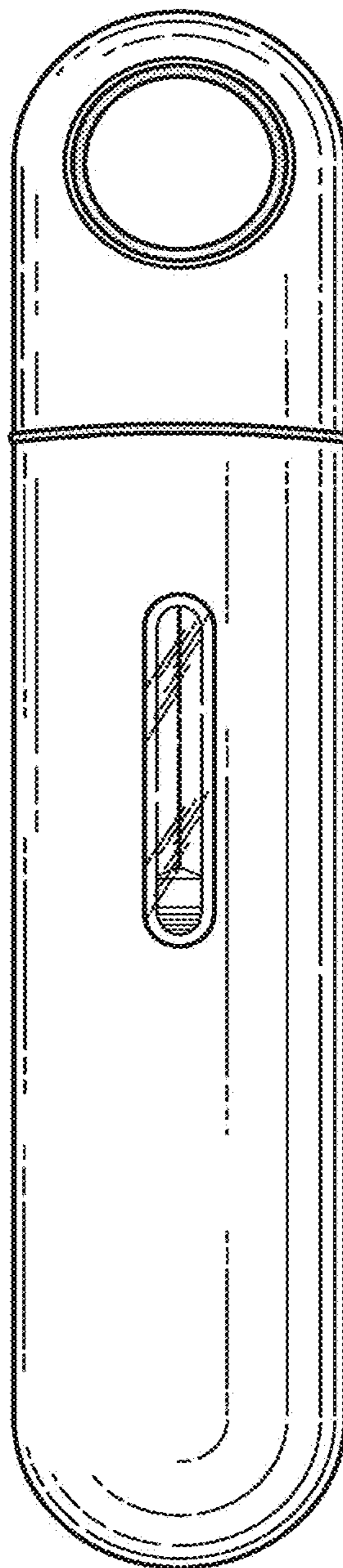


FIG. 19

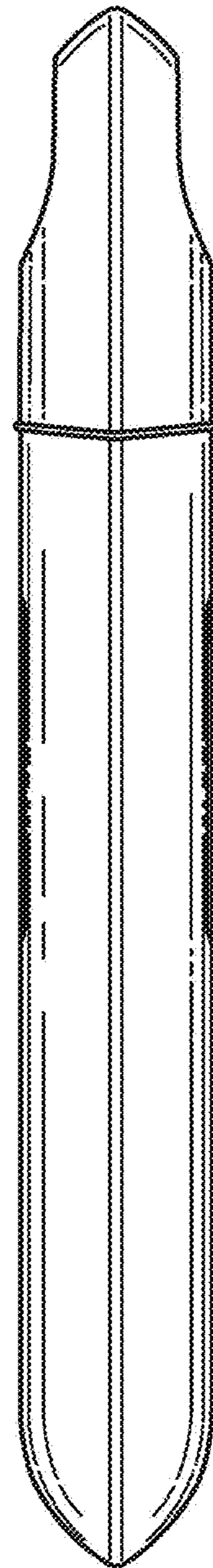


FIG. 18

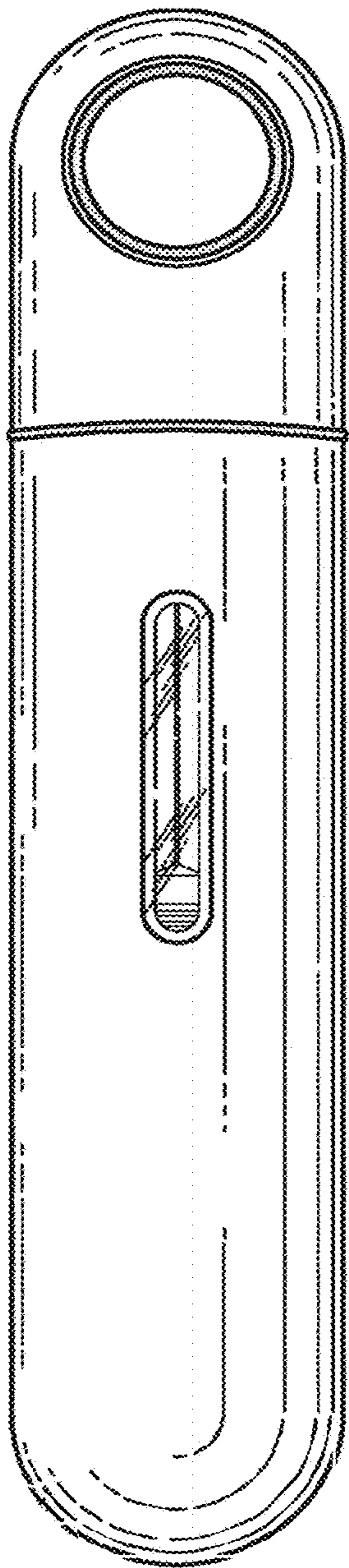


FIG. 20

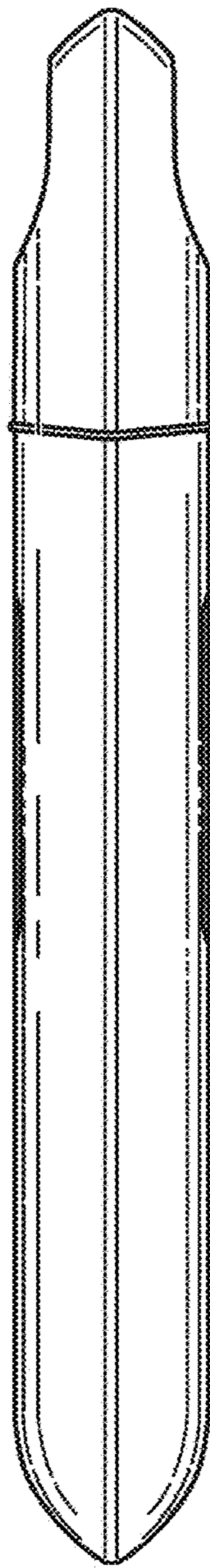


FIG. 21

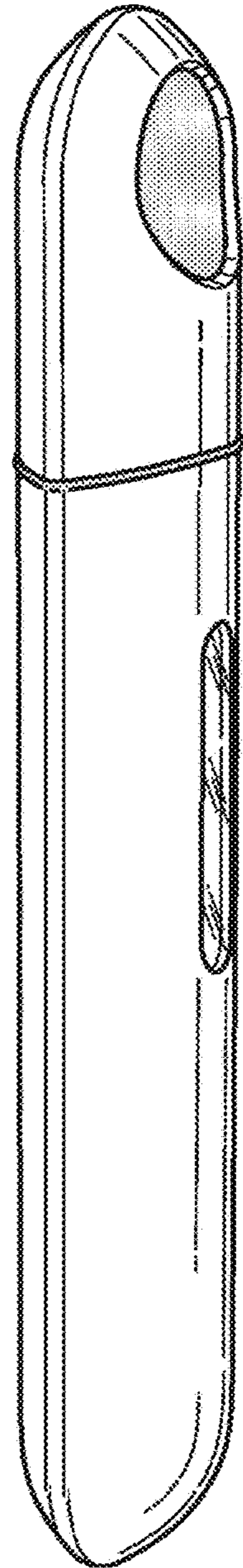


FIG. 25

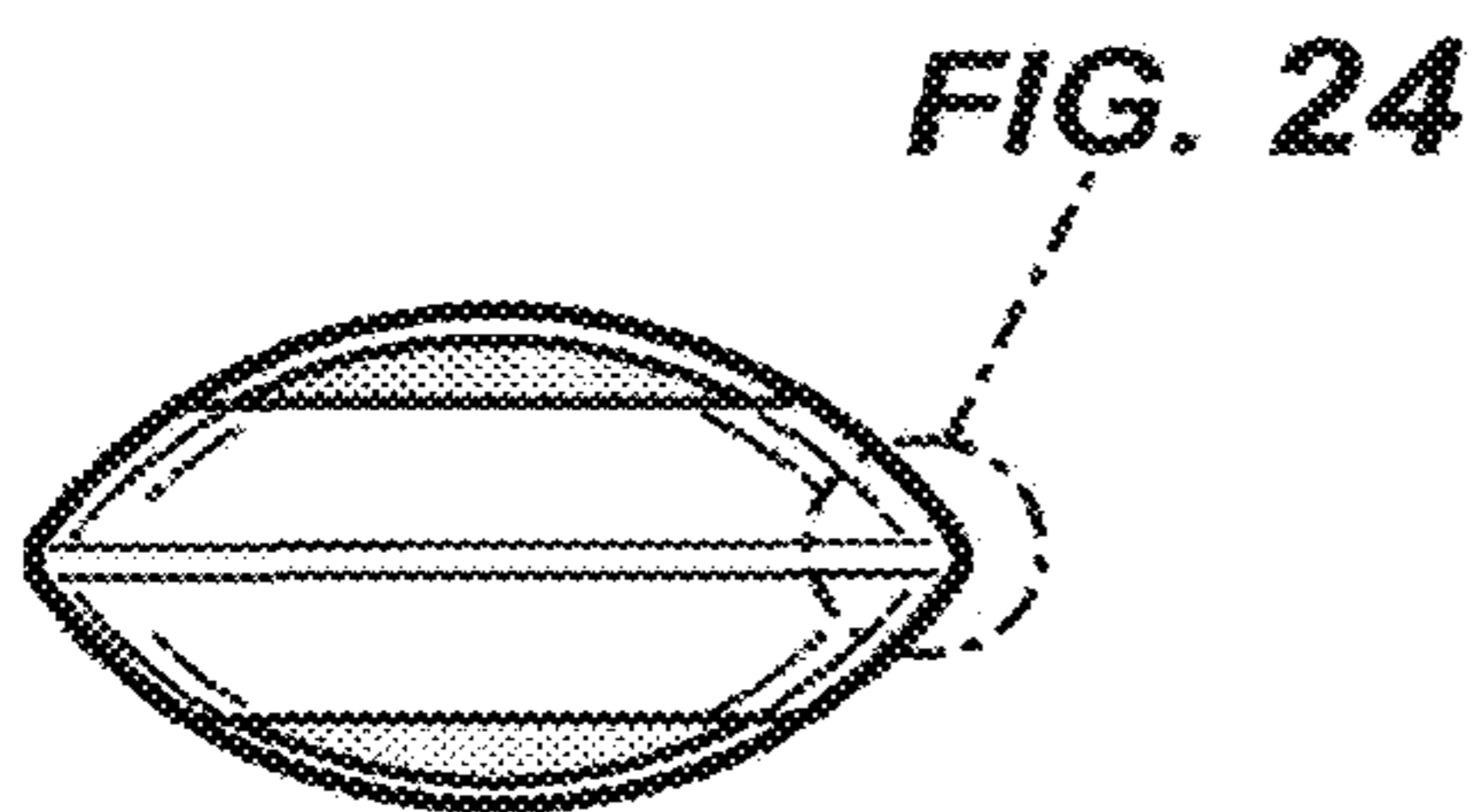


FIG. 22



FIG. 23

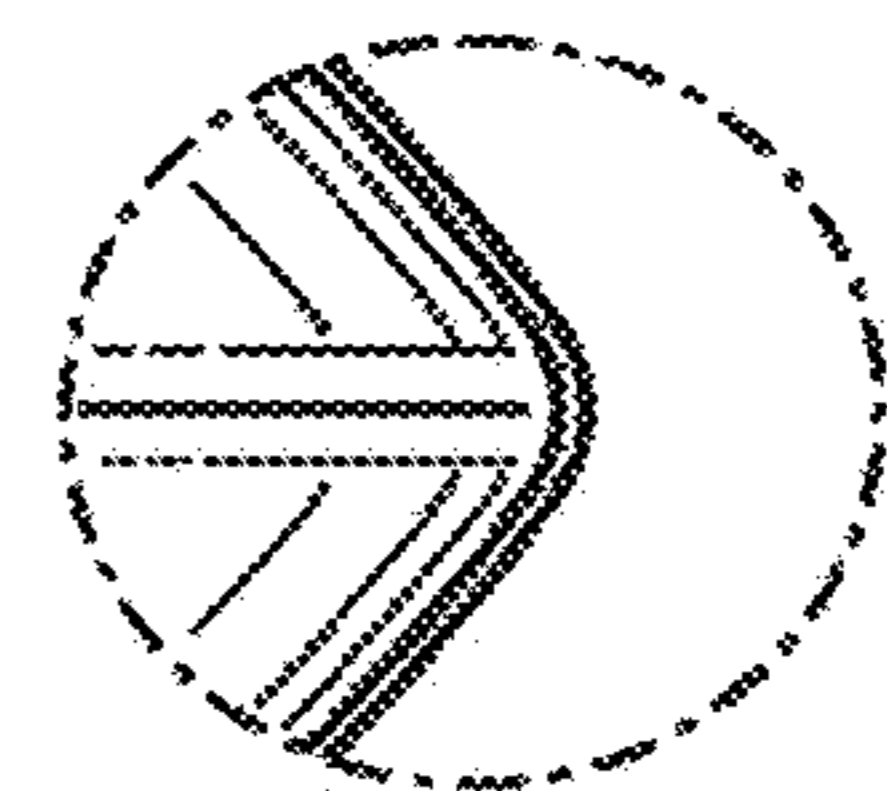


FIG. 24