



US00D868242S

(12) **United States Design Patent** (10) **Patent No.:** **US D868,242 S**  
**Baigent et al.** (45) **Date of Patent:** **\*\* Nov. 26, 2019**

- (54) **RESPIRATORY MASK**
- (71) Applicant: **ResMed Pty Ltd**, Bella Vista, New South Wales (AU)
- (72) Inventors: **Hollie Elizabeth Baigent**, Sydney (AU); **Amy Phan How Cheng**, Singapore (SG); **Bruce Richard Davies**, Sydney (AU); **Chiew Khuen Wong**, Sydney (AU)
- (73) Assignee: **ResMed Pty Ltd**, Bella Vista (AU)
- (\*\*) Term: **15 Years**
- (21) Appl. No.: **29/596,126**
- (22) Filed: **Mar. 6, 2017**

- D556,899 S 12/2007 Veliss
  - D557,408 S 12/2007 Amarasinghe
  - D557,411 S 12/2007 Smart
  - D560,796 S 1/2008 Jones
  - D561,302 S 2/2008 Brockington
  - D590,496 S 4/2009 Dantanarayana
- (Continued)

**OTHER PUBLICATIONS**

U.S. Appl. No. 29/517,715, filed Feb. 16, 2015 (parent).

*Primary Examiner* — Lilyana Bekic

(74) *Attorney, Agent, or Firm* — Nixon & Vanderhye P.C.

(57) **CLAIM**

The ornamental design for a respiratory mask, as shown and described.

**DESCRIPTION**

FIG. 1 is a front perspective view of a respiratory mask according to a first embodiment showing our new design; FIG. 2 is a front view thereof; FIG. 3 is a rear view thereof; FIG. 4 is a top view thereof; FIG. 5 is a bottom view thereof; FIG. 6 is a left side view thereof; FIG. 7 is a right side view thereof; FIG. 8 is a front perspective view of a respiratory mask according to a second embodiment showing our new design; FIG. 9 is a front view thereof; FIG. 10 is a rear view thereof; FIG. 11 is a top view thereof; FIG. 12 is a bottom view thereof; FIG. 13 is a left side view thereof; and, FIG. 14 is a right side view thereof.

The broken lines depict portions of the respiratory mask that form no part of the claimed design. Stippling and line shading have been used in the drawings to indicate a contrast in appearance.

**Related U.S. Application Data**

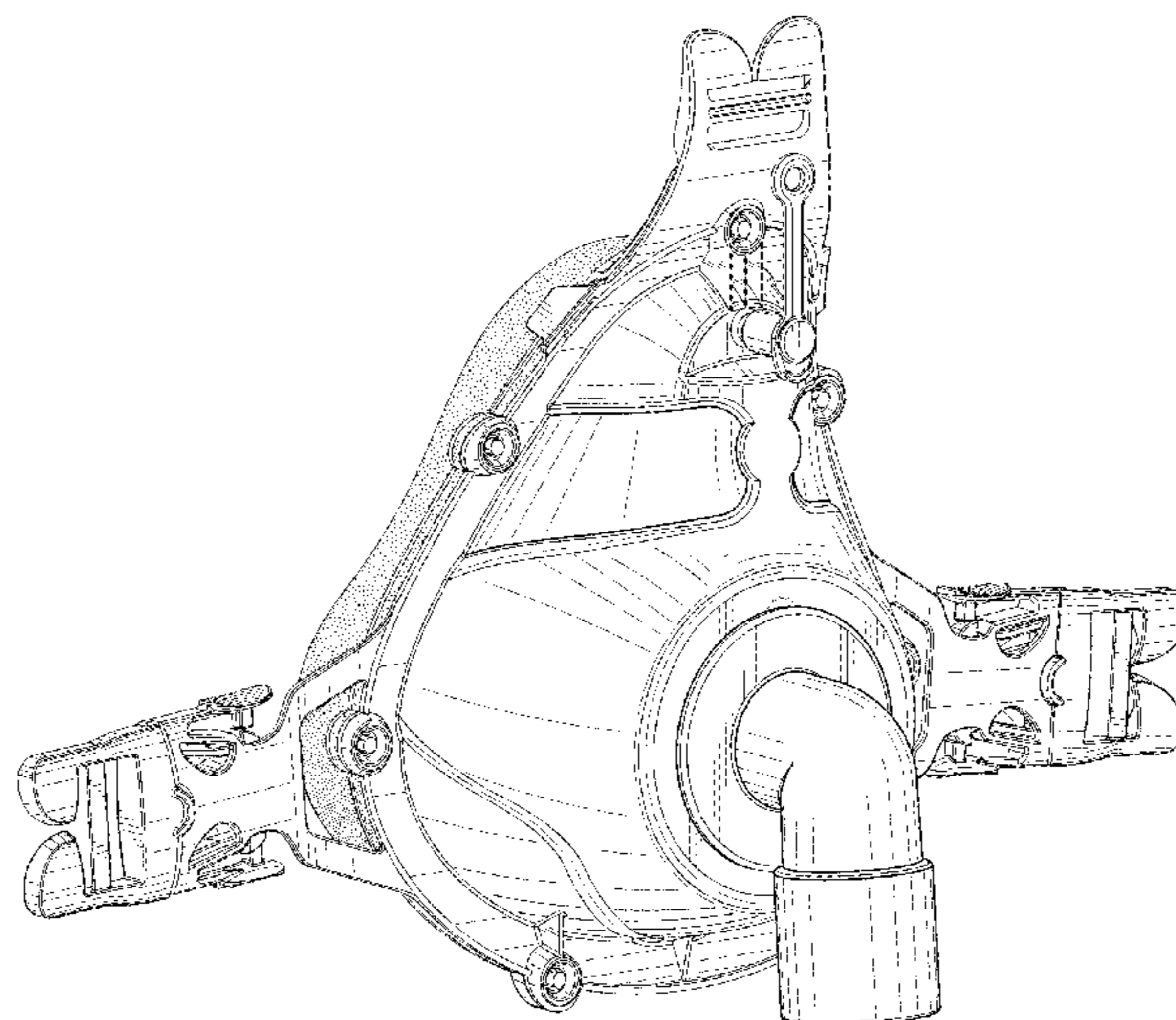
- (62) Division of application No. 29/517,715, filed on Feb. 16, 2015.
  - (51) **LOC (12) Cl.** ..... **29-02**
  - (52) **U.S. Cl.**  
USPC ..... **D24/110.4**
  - (58) **Field of Classification Search**  
USPC ..... D24/110–110.4, 127, 164; D29/108  
CPC ..... A61M 16/0683; A61M 16/0622; A61M 16/06; A61M 16/0616; A61M 16/0633; A61M 16/0816; A61M 16/08; A61M 16/0666; A61M 2210/0618
- See application file for complete search history.

(56) **References Cited**

**U.S. PATENT DOCUMENTS**

- 511,161 A 12/1893 Ricketts
- D31,639 S 10/1899 Eldridge
- 938,102 A 10/1909 Wise
- D519,206 S 4/2006 Jones
- D537,523 S 2/2007 Dantanarayana
- D539,418 S 3/2007 Jones

**1 Claim, 14 Drawing Sheets**



(56)

## References Cited

## U.S. PATENT DOCUMENTS

D619,701 S 7/2010 Edwards  
D624,176 S \* 9/2010 Smart ..... D24/110.1  
D627,862 S 11/2010 Ball  
D627,863 S 11/2010 Ball  
7,878,199 B2 \* 2/2011 Ging ..... A61M 16/06  
128/206.26  
D639,932 S \* 6/2011 D'Souza ..... D24/110.1  
7,967,013 B2 \* 6/2011 Ging ..... A61M 16/06  
128/206.21  
D644,728 S \* 9/2011 Worboys ..... D24/110.1  
D651,304 S 12/2011 Edwards  
8,136,524 B2 3/2012 Ging et al.  
D665,062 S 8/2012 Ball  
D674,883 S 1/2013 Ball  
D677,782 S \* 3/2013 D'Souza ..... D24/110.1  
D679,799 S \* 4/2013 D'Souza ..... D24/110  
D689,602 S 9/2013 Amirav  
D695,887 S 12/2013 Ozolins  
D705,402 S 5/2014 Yu  
D729,357 S 5/2015 Ball  
D739,508 S 9/2015 Menno  
D767,755 S \* 9/2016 D'Souza ..... D24/110.4  
9,642,978 B2 \* 5/2017 Ging ..... A61M 16/06  
9,878,117 B2 \* 1/2018 Crumblin ..... A61M 16/06  
9,895,503 B2 \* 2/2018 Jones ..... A61M 16/06  
2005/0172969 A1 \* 8/2005 Ging ..... A61M 16/06  
128/206.24  
2007/0267023 A1 11/2007 Ging  
2009/0194111 A1 8/2009 Fu  
2010/0000538 A1 1/2010 Edwards  
2013/0327336 A1 \* 12/2013 Burnham ..... A61M 16/06  
128/206.21  
2017/0157352 A1 \* 6/2017 Ng ..... A61M 16/06

\* cited by examiner

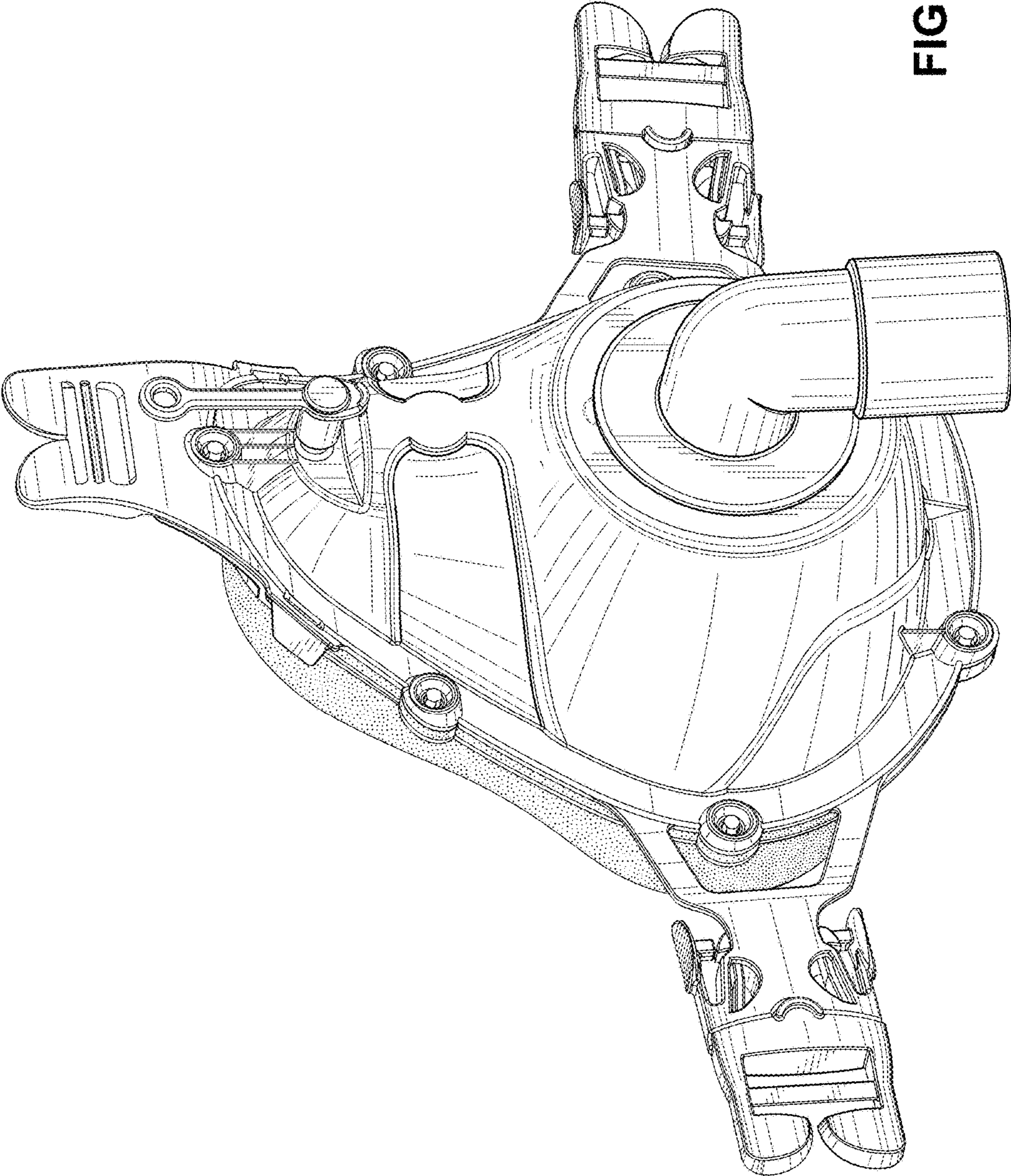


FIG. 1

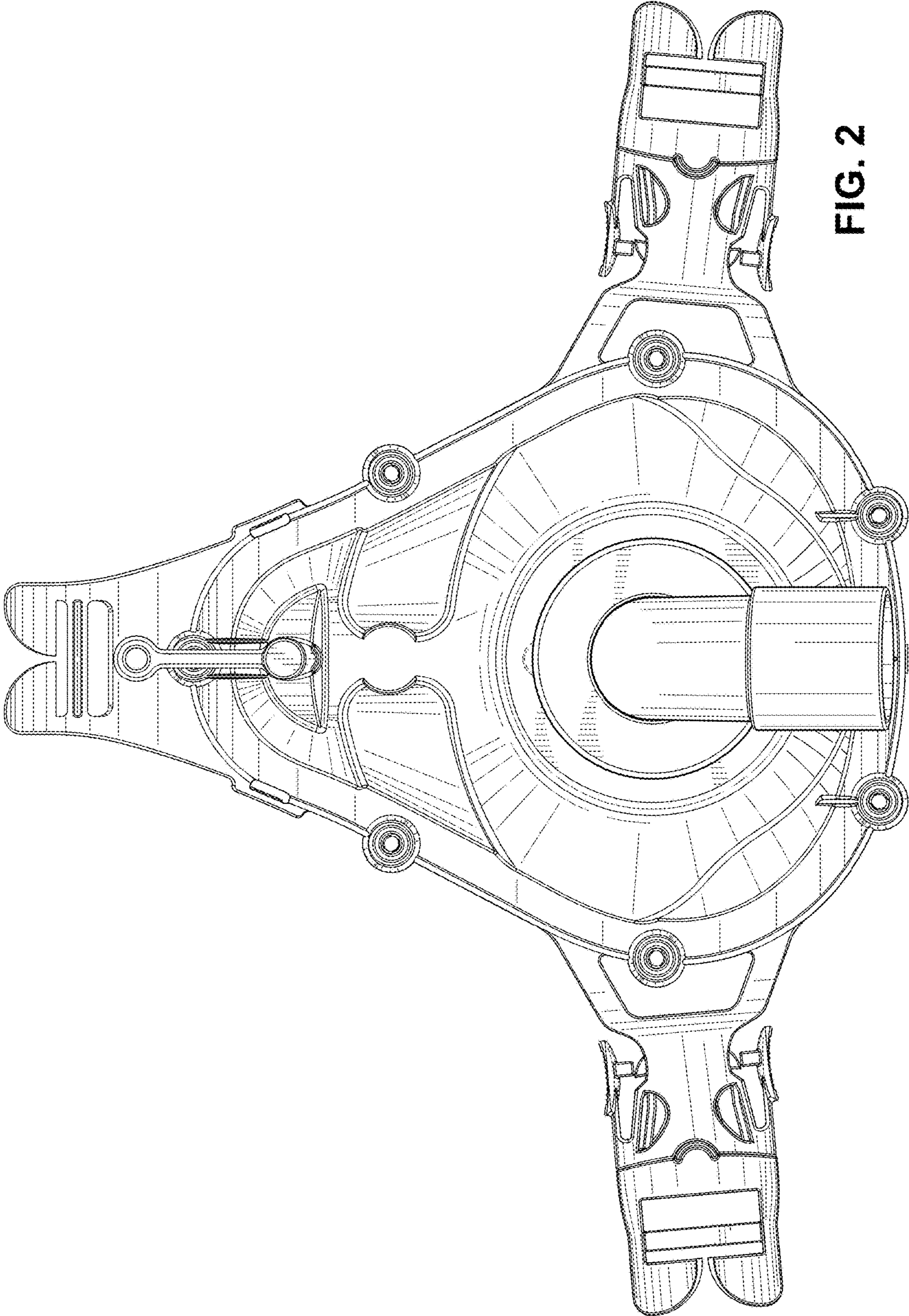


FIG. 2

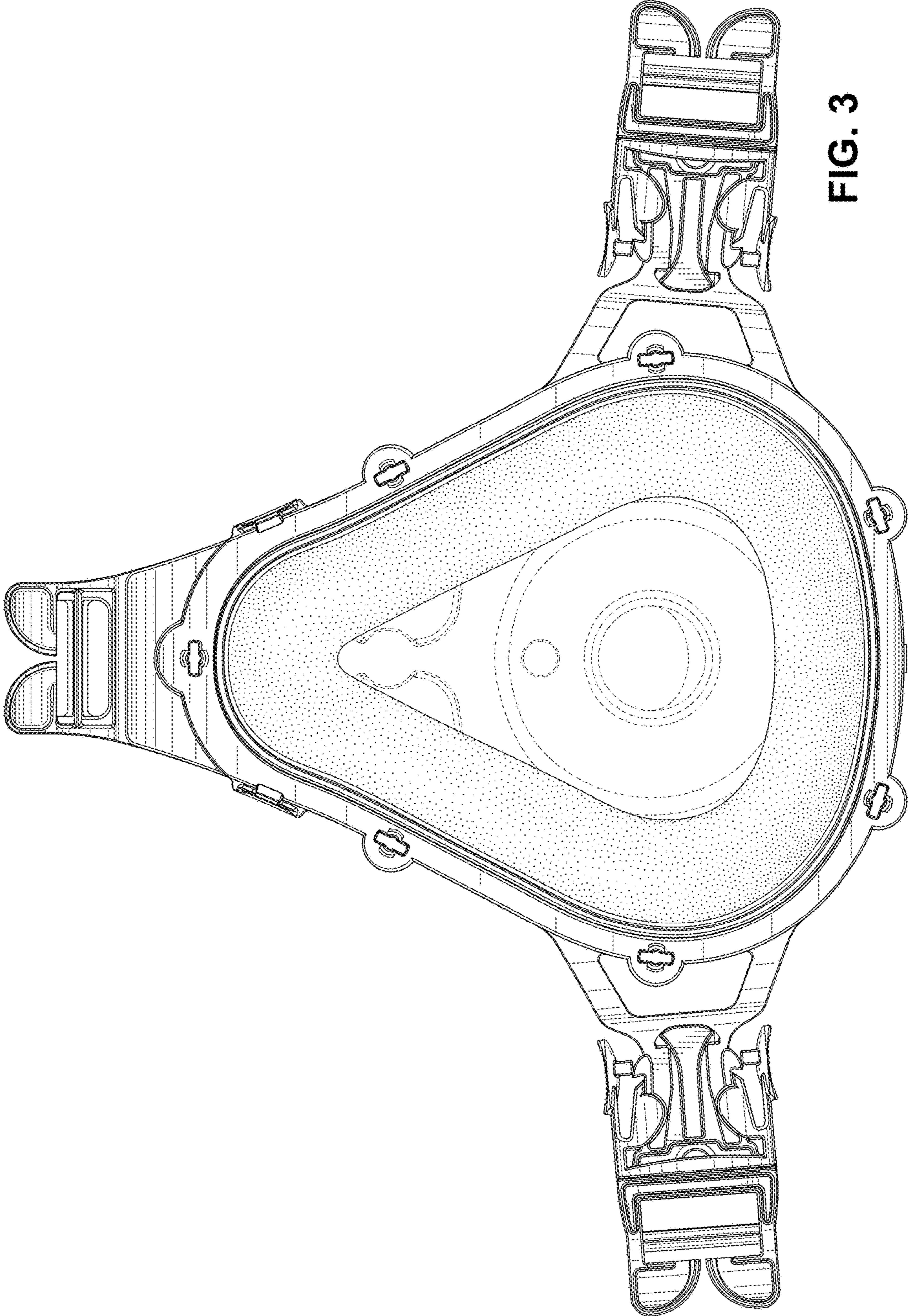


FIG. 3

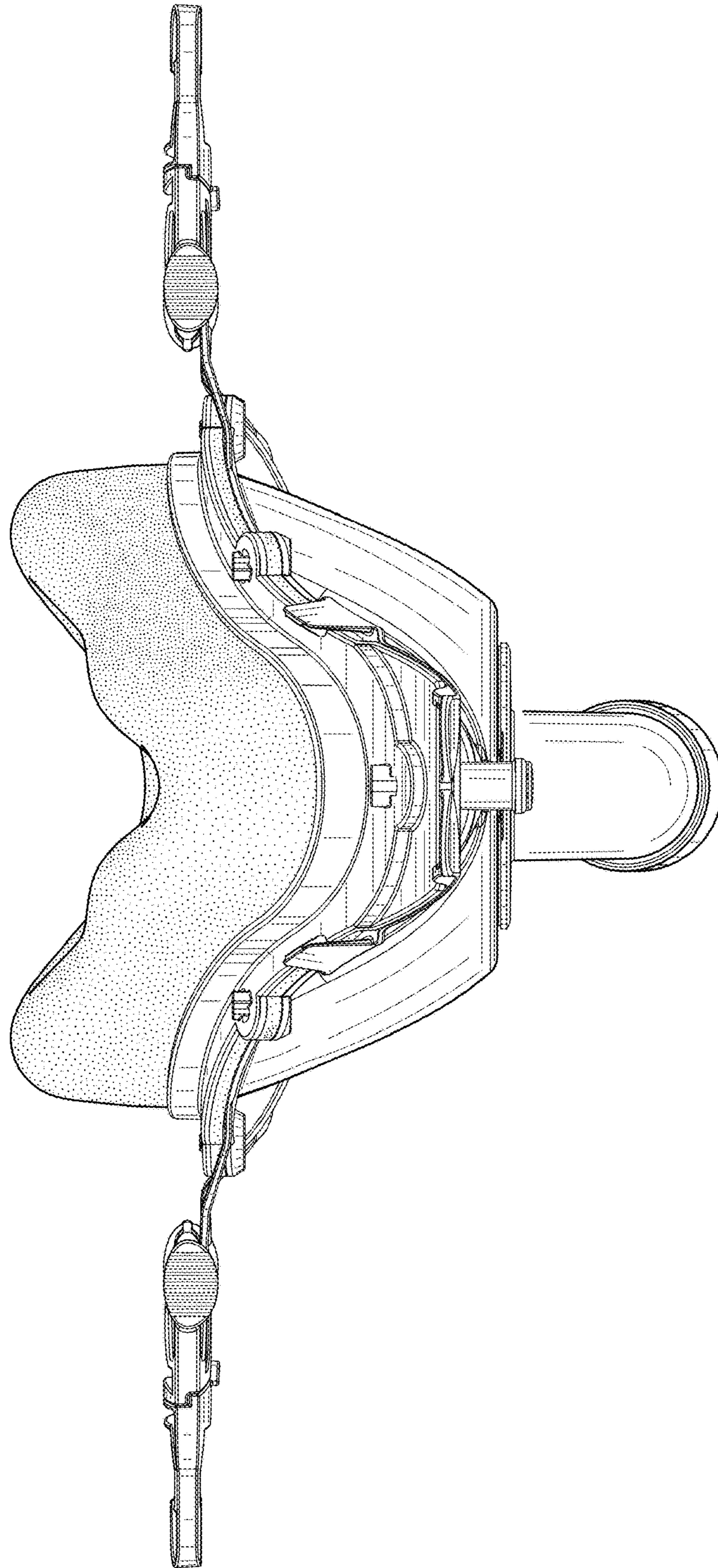


FIG. 4

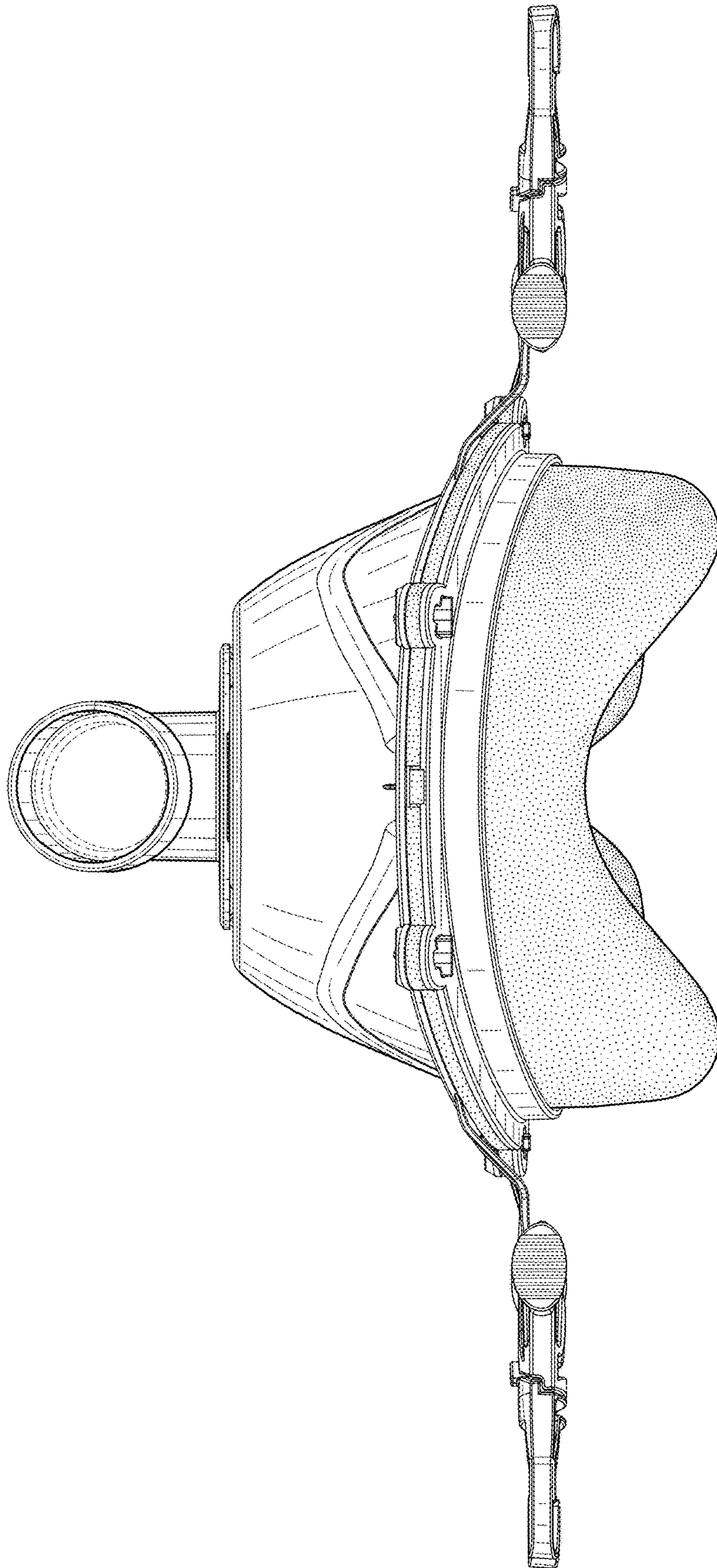


FIG. 5

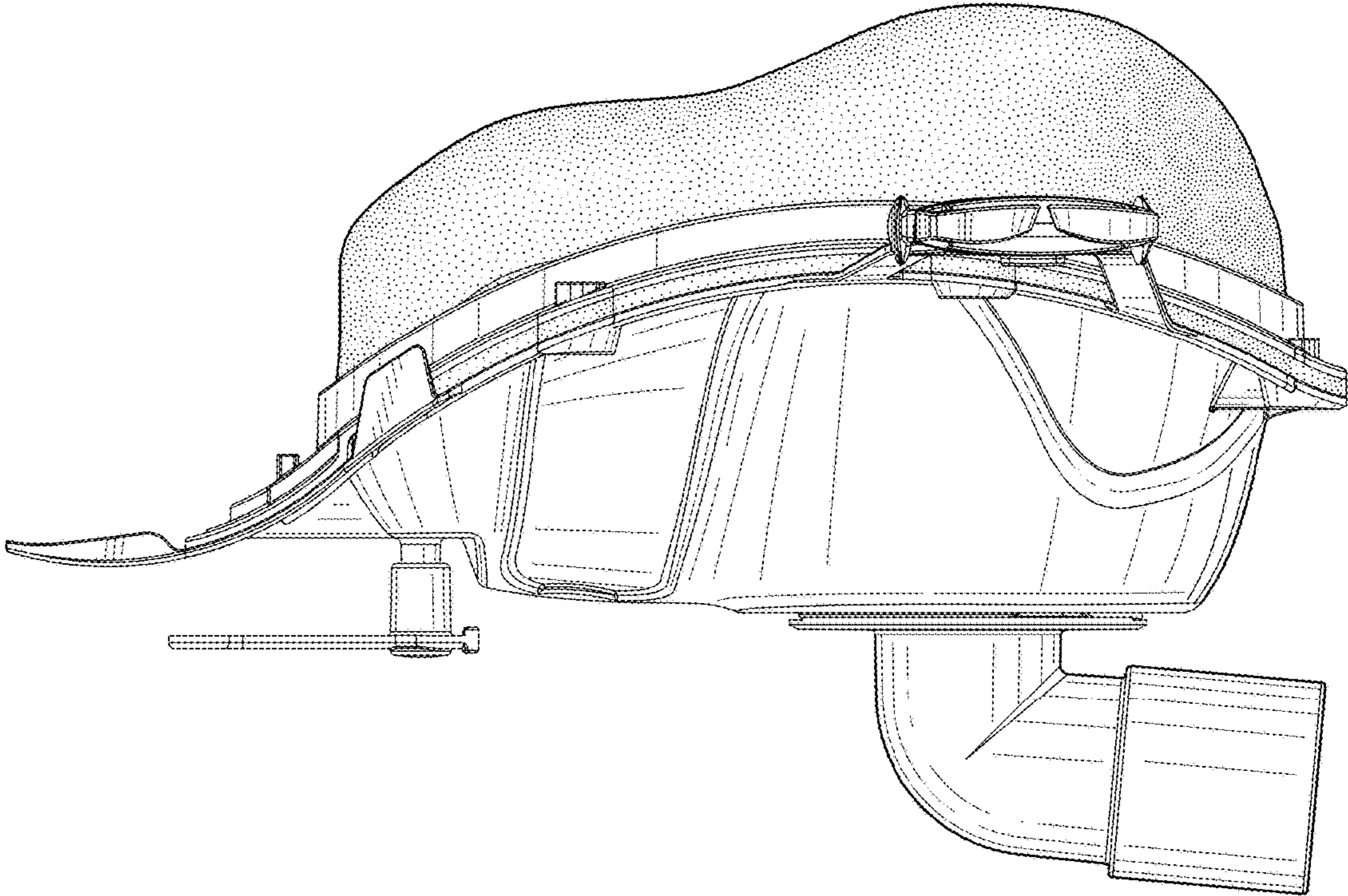


FIG. 6



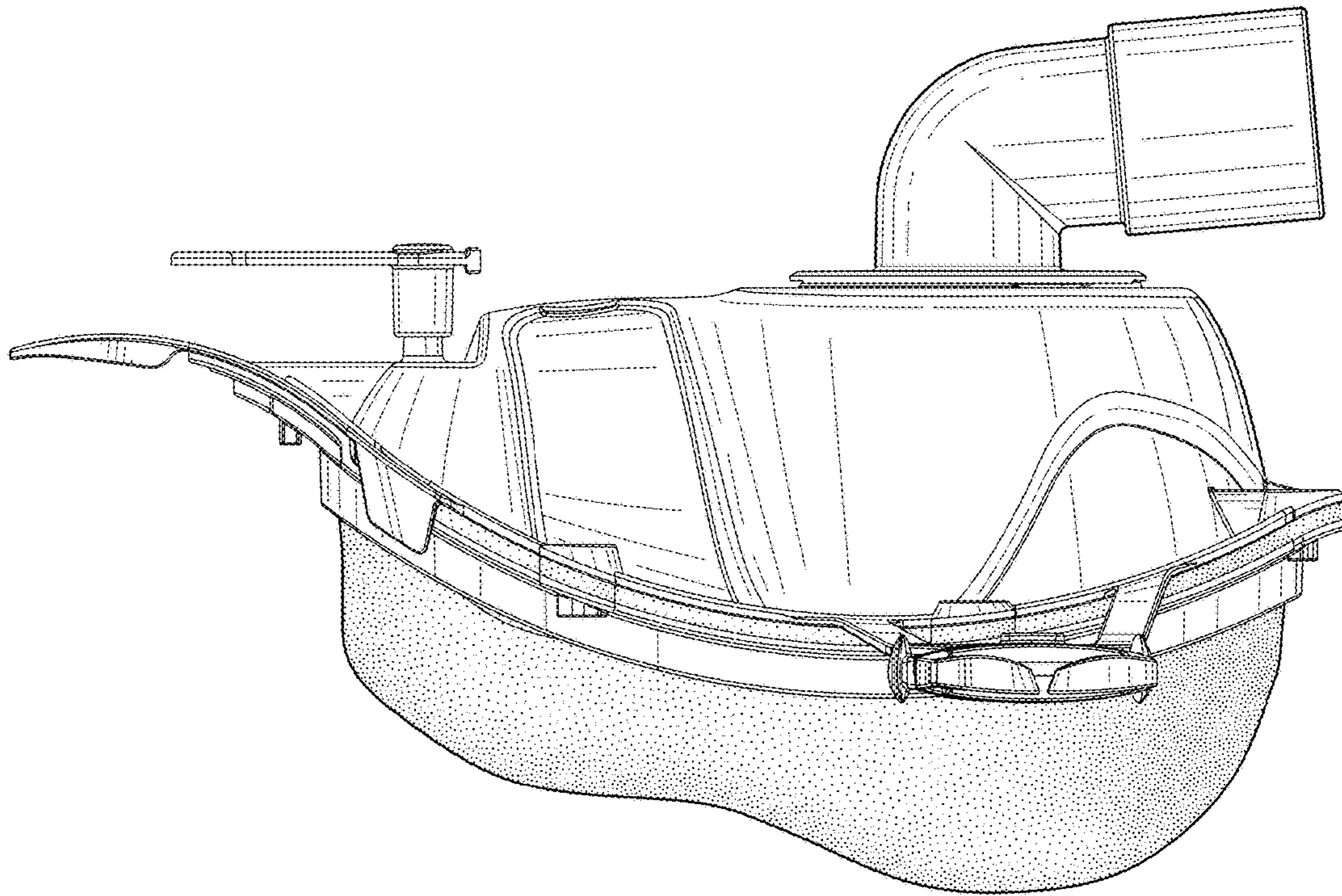


FIG. 7

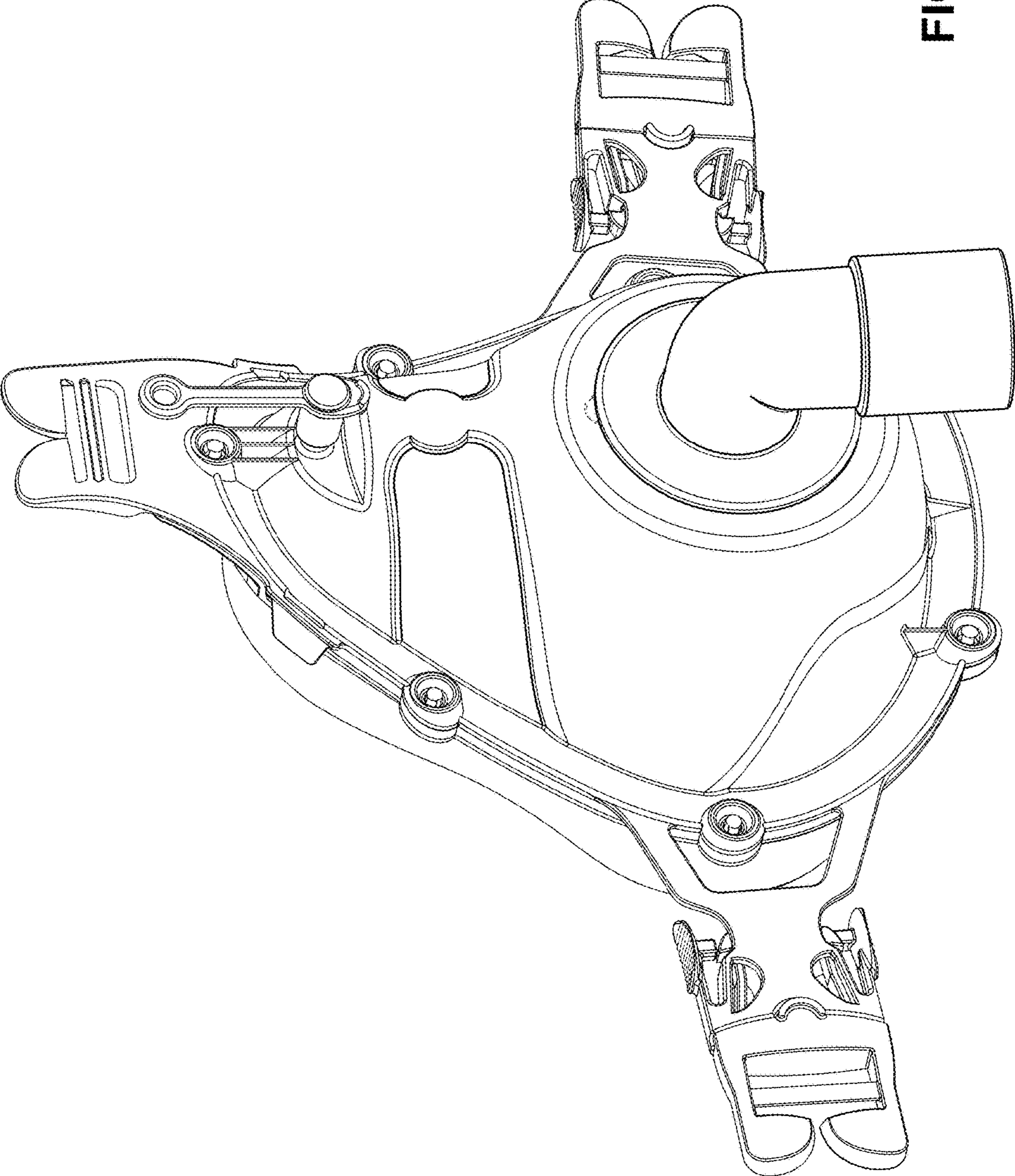


FIG. 8

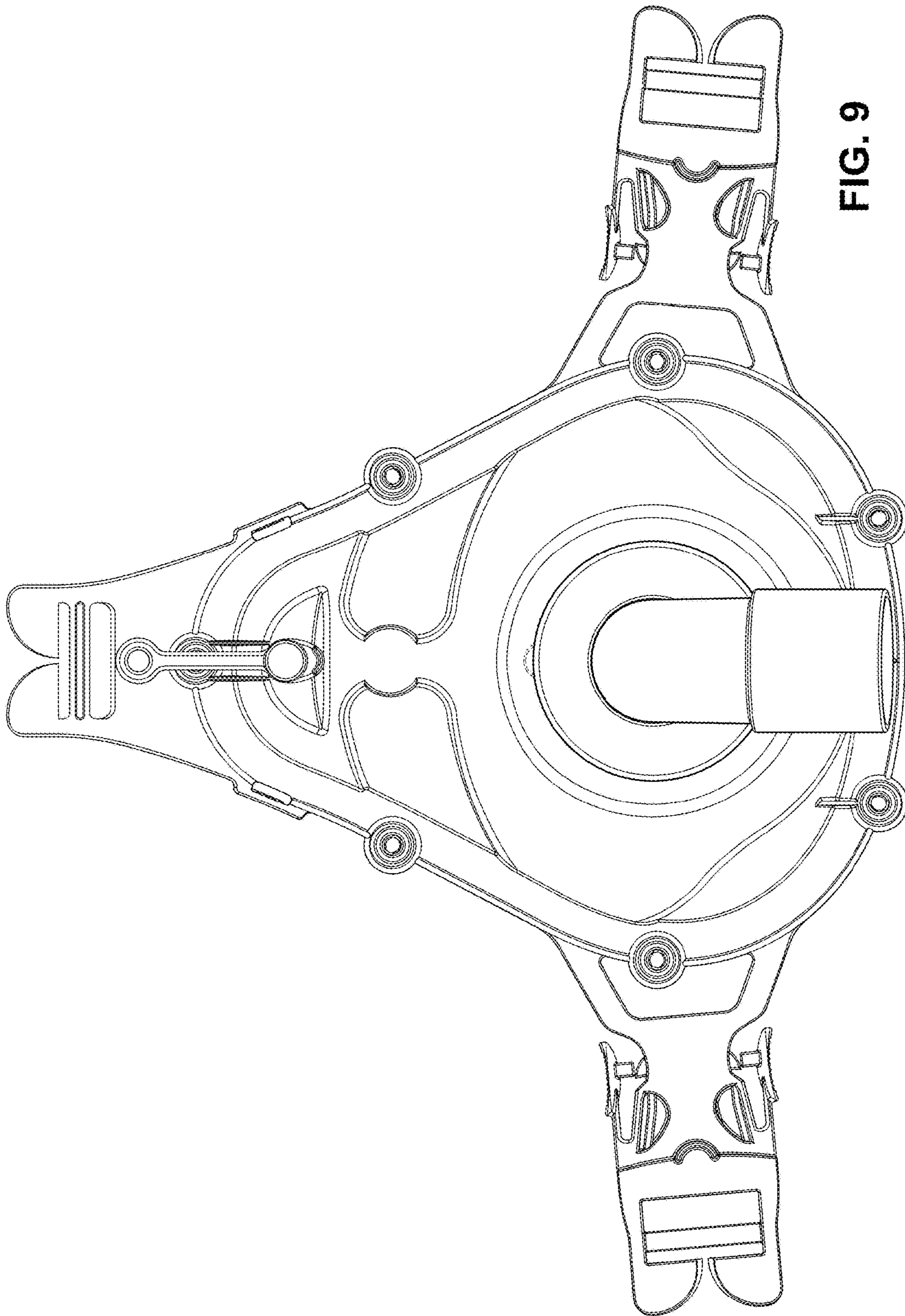


FIG. 9

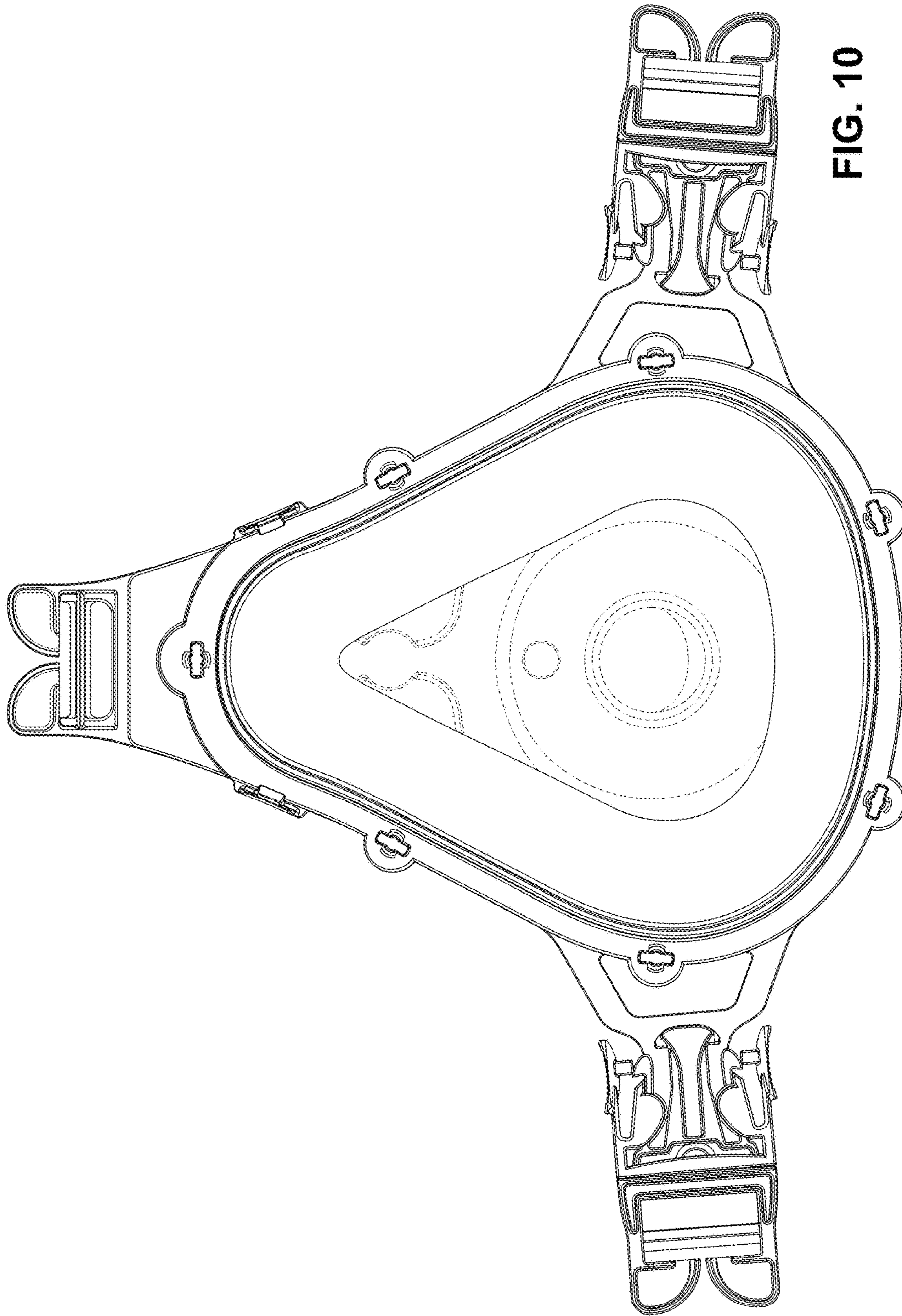


FIG. 10

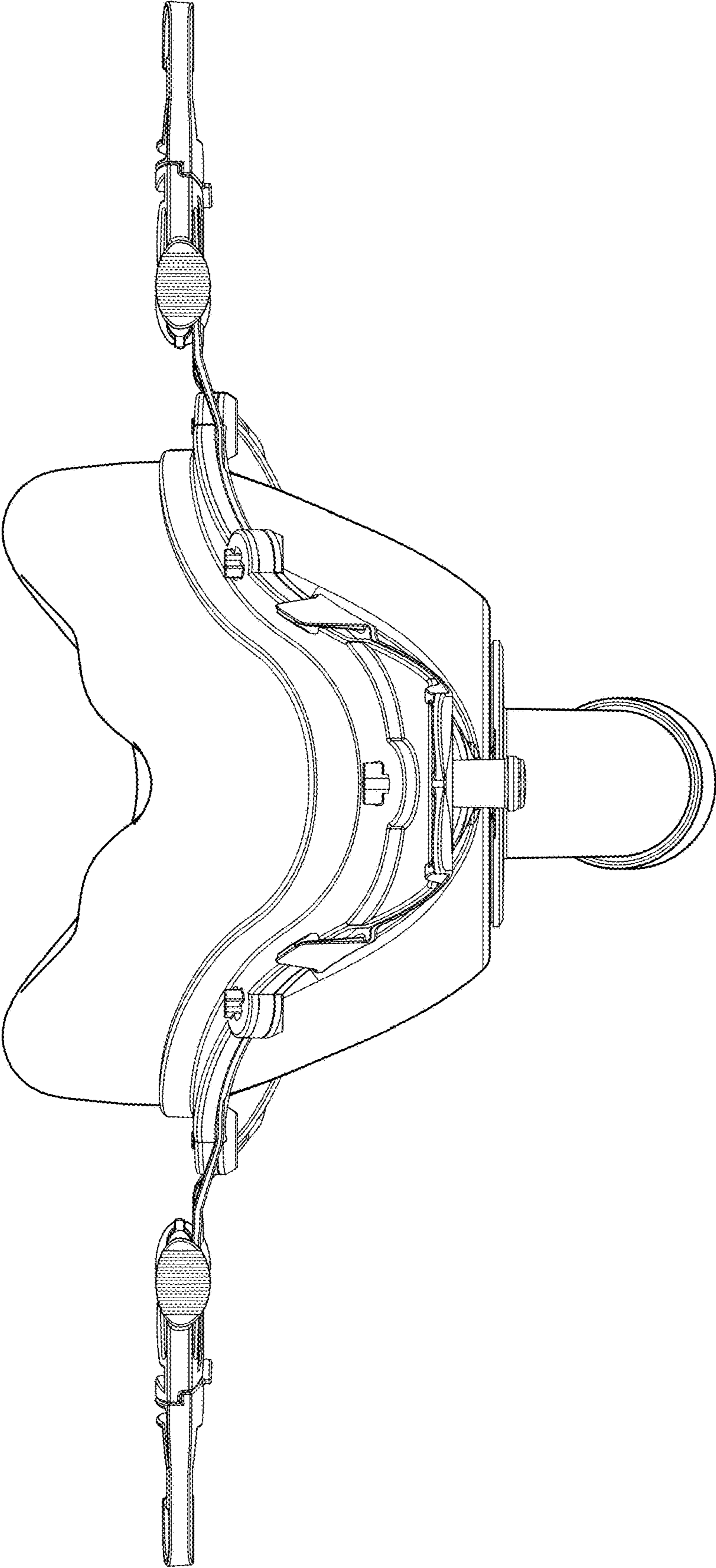


FIG. 11

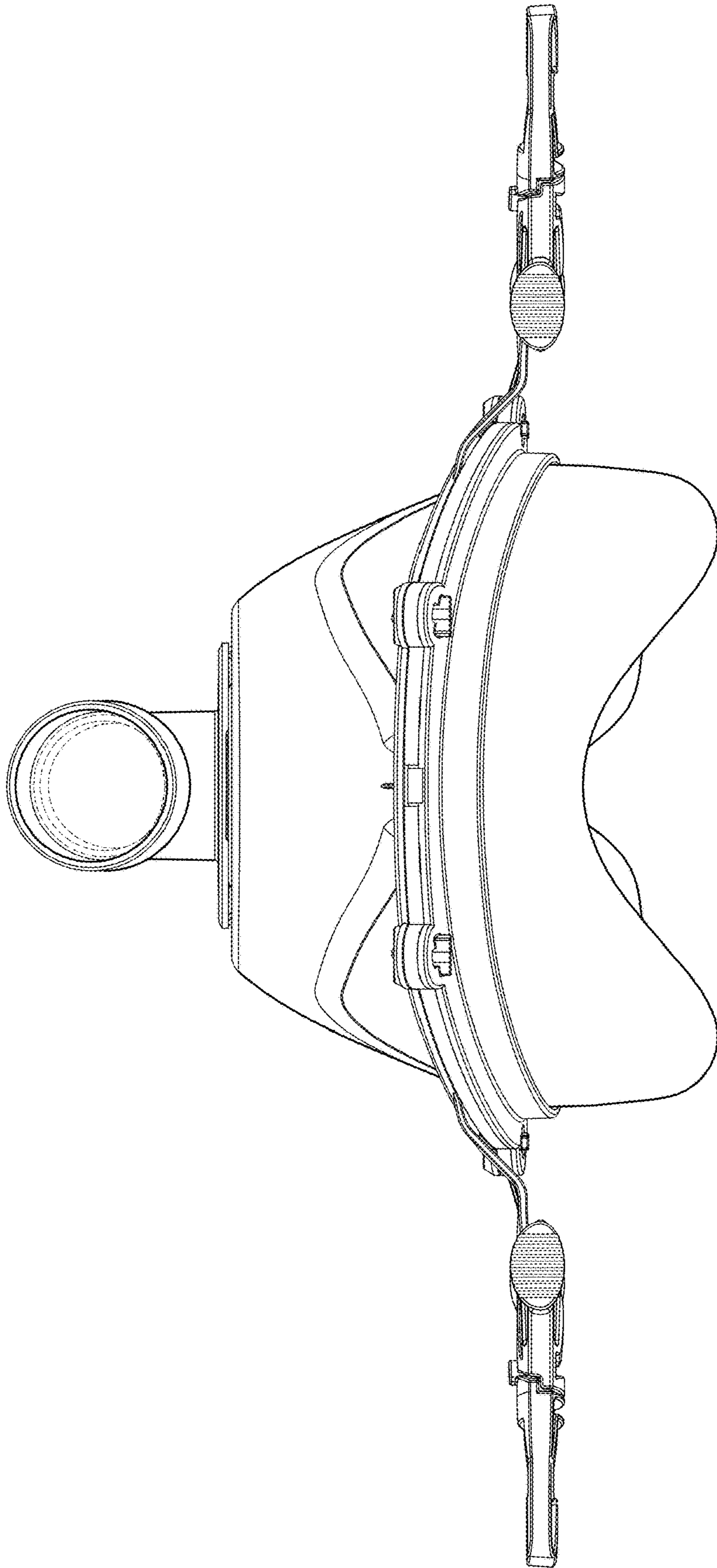


FIG. 12

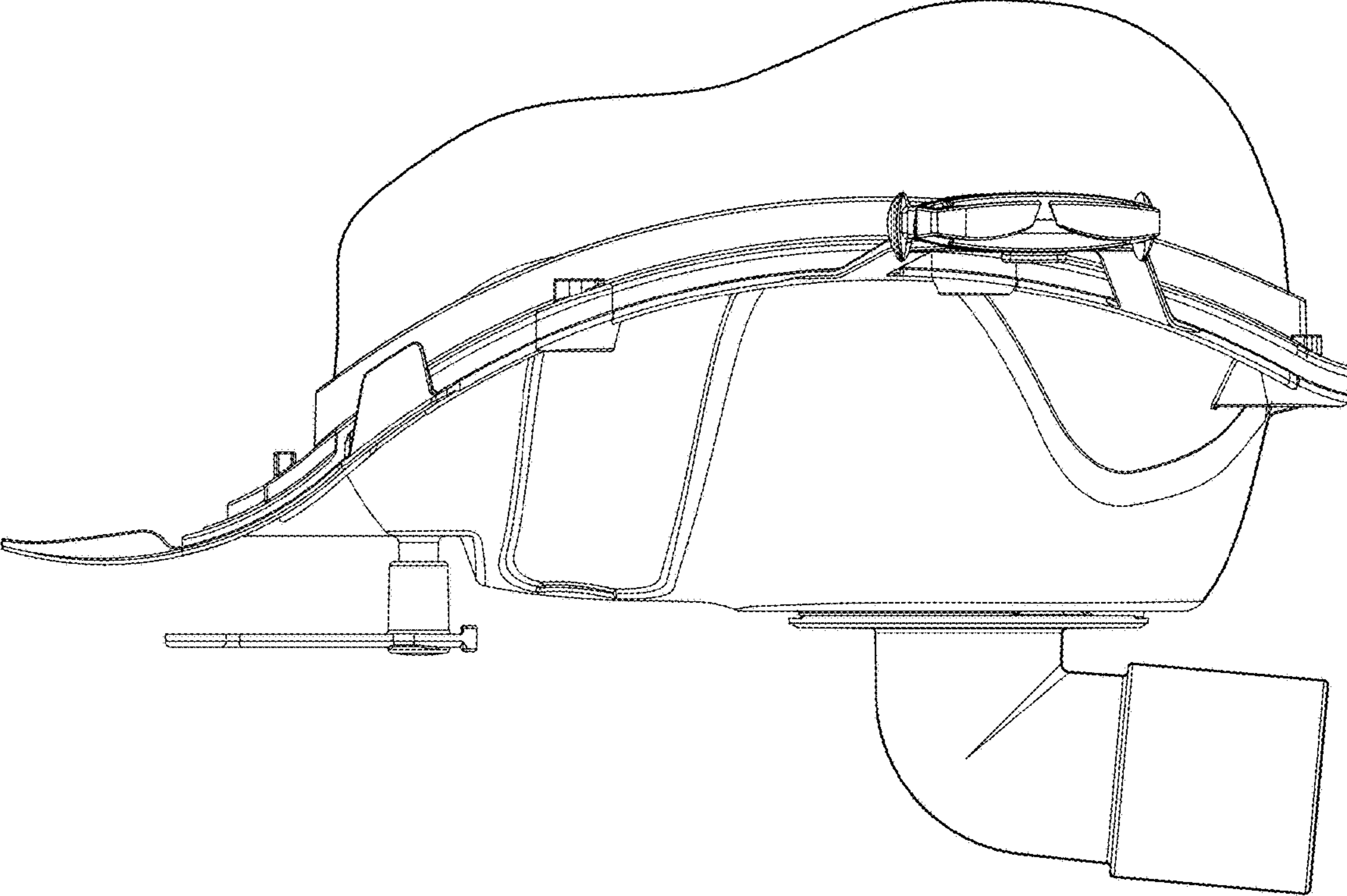


FIG. 13

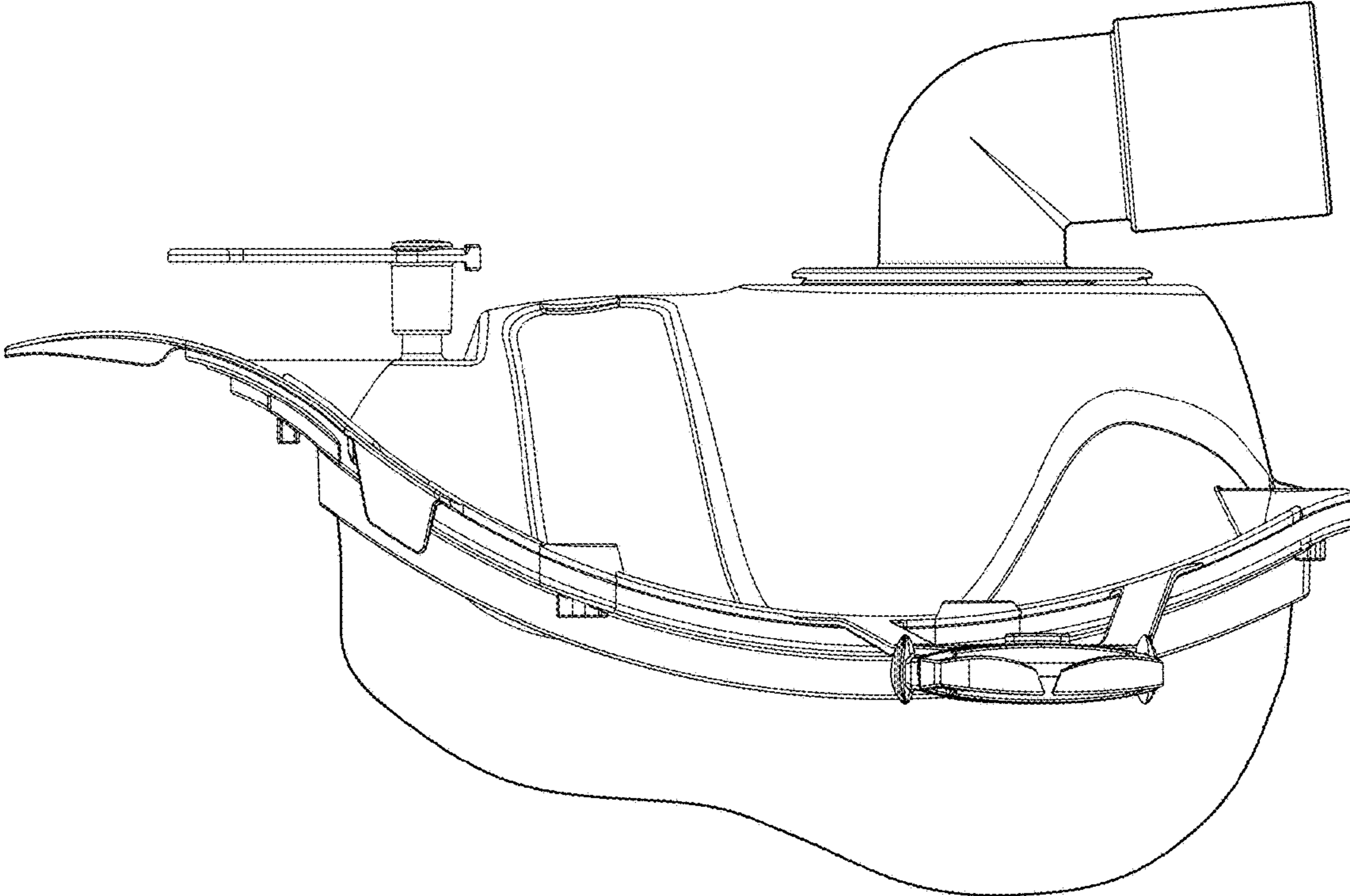


FIG. 14