



US00D868241S

(12) **United States Design Patent** (10) **Patent No.:** **US D868,241 S**  
**de-Stefani et al.** (45) **Date of Patent:** **\*\* Nov. 26, 2019**

(54) **EXPIRATION VALVE FOR A MEDICAL VENTILATOR**

(71) Applicant: **HAMILTON MEDICAL AG**, Bonaduz (CH)

(72) Inventors: **Dino de-Stefani**, Chur (CH); **Felix Breitruck**, Buchs (CH)

(73) Assignee: **Hamilton Medical AG**, Bonaduz (CH)

(\*\*) Term: **15 Years**

(21) Appl. No.: **35/504,850**

(22) Filed: **Apr. 3, 2018**

(80) **Hague Agreement Data**

Int. Filing Date: **Apr. 3, 2018**  
Int. Reg. No.: **DM/100763**  
Int. Reg. Date: **Apr. 3, 2018**  
Int. Reg. Pub. Date: **May 4, 2018**

(51) **LOC (12) Cl.** ..... **29-02**

(52) **U.S. Cl.**  
USPC ..... **D24/110.1**

(58) **Field of Classification Search**  
USPC ..... D24/135, 133, 110, 112, 110.1, 110.4, D24/110.5, 164  
CPC ..... A61M 16/205  
See application file for complete search history.

(56) **References Cited**

**U.S. PATENT DOCUMENTS**

4,267,832 A \* 5/1981 Hakkinen ..... A61M 16/208  
128/205.24  
D295,333 S \* 4/1988 Hartley ..... D24/110  
5,065,746 A \* 11/1991 Steen ..... A61M 16/20  
128/204.18

D350,394 S \* 9/1994 Kazal ..... D24/164  
D539,418 S \* 3/2007 Jones ..... D24/110.1  
2018/0126112 A1 \* 5/2018 Breitruck ..... A61M 16/206  
2018/0126113 A1 \* 5/2018 Breitruck ..... A61M 16/208  
2018/0126114 A1 \* 5/2018 Breitruck ..... A61M 16/208

\* cited by examiner

*Primary Examiner* — Eliza Z Bennett-Hattan

(74) *Attorney, Agent, or Firm* — Wuersch & Gering LLP

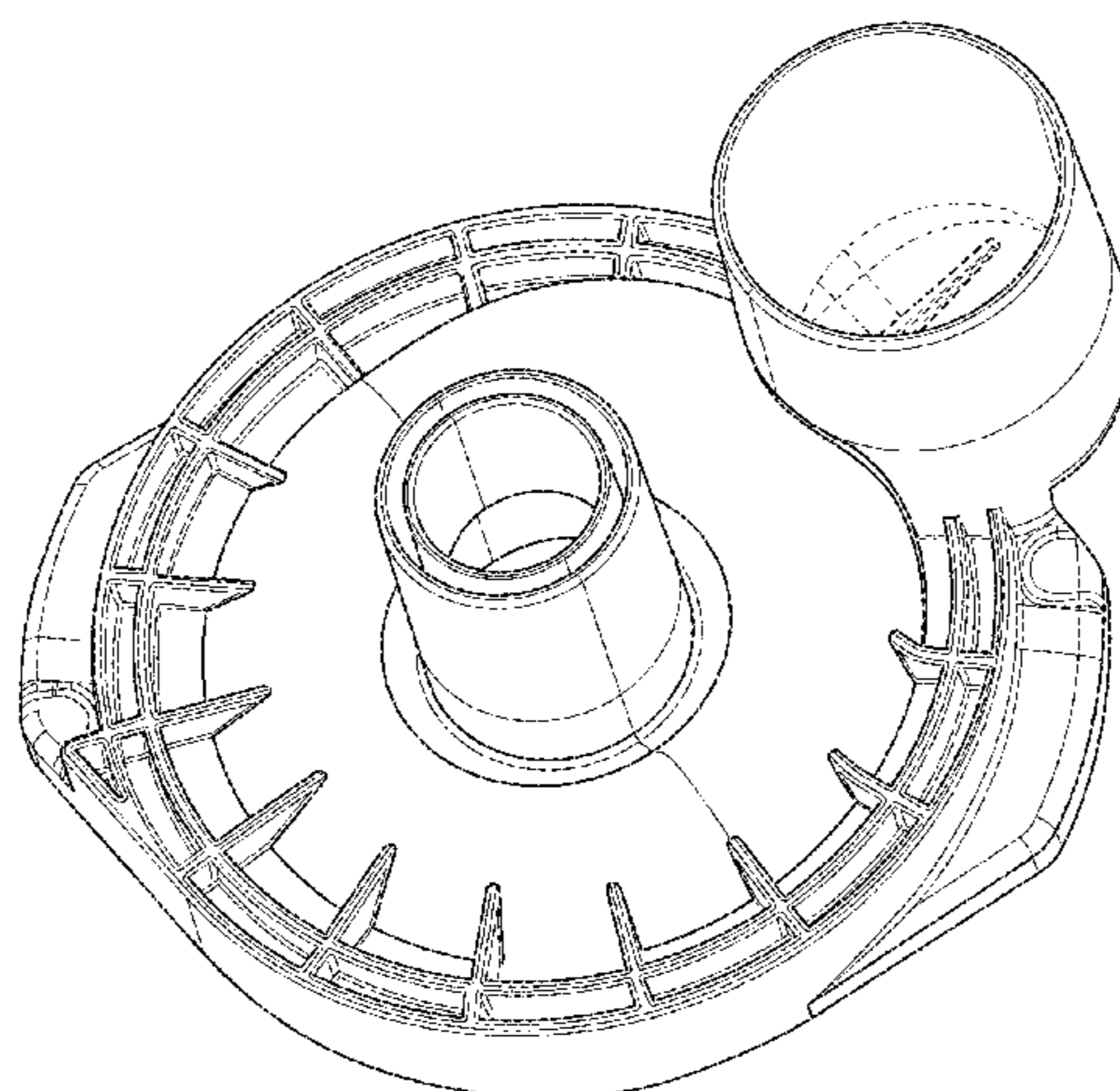
(57) **CLAIM**

We claim the design for an expiration valve for a medical ventilator, as shown and described.

**DESCRIPTION**

1. Expiration for a medical ventilator  
FIG. 1.1 is a back plan view of the expiration valve for a medical ventilator.  
FIG. 1.2 is a left plan view of the expiration valve for a medical ventilator of FIG. 1.1.  
FIG. 1.3 is a front plan view of the expiration valve for a medical ventilator of FIG. 1.1.  
FIG. 1.4 is a bottom plan view of the expiration valve for a medical ventilator of FIG. 1.1.  
FIG. 1.5 is a top perspective view of the expiration valve for a medical ventilator of FIG. 1.1.  
FIG. 1.6 is a bottom perspective view of the expiration valve for a medical ventilator of FIG. 1.1.  
FIG. 1.7 is a right plan view of the expiration valve for a medical ventilator of FIG. 1.1.  
FIG. 1.8 is a top plan view of the expiration valve for a medical ventilator of FIG. 1.1.  
A second embodiment of my design is a mirror image of the first embodiment depicted in FIGS. 1.1 to 1.8. The portions of the expiration valve for a medical ventilator shown in broken lines depict unclaimed portions of the expiration valve for a medical ventilator only and form no part of the claimed design.

**1 Claim, 8 Drawing Sheets**



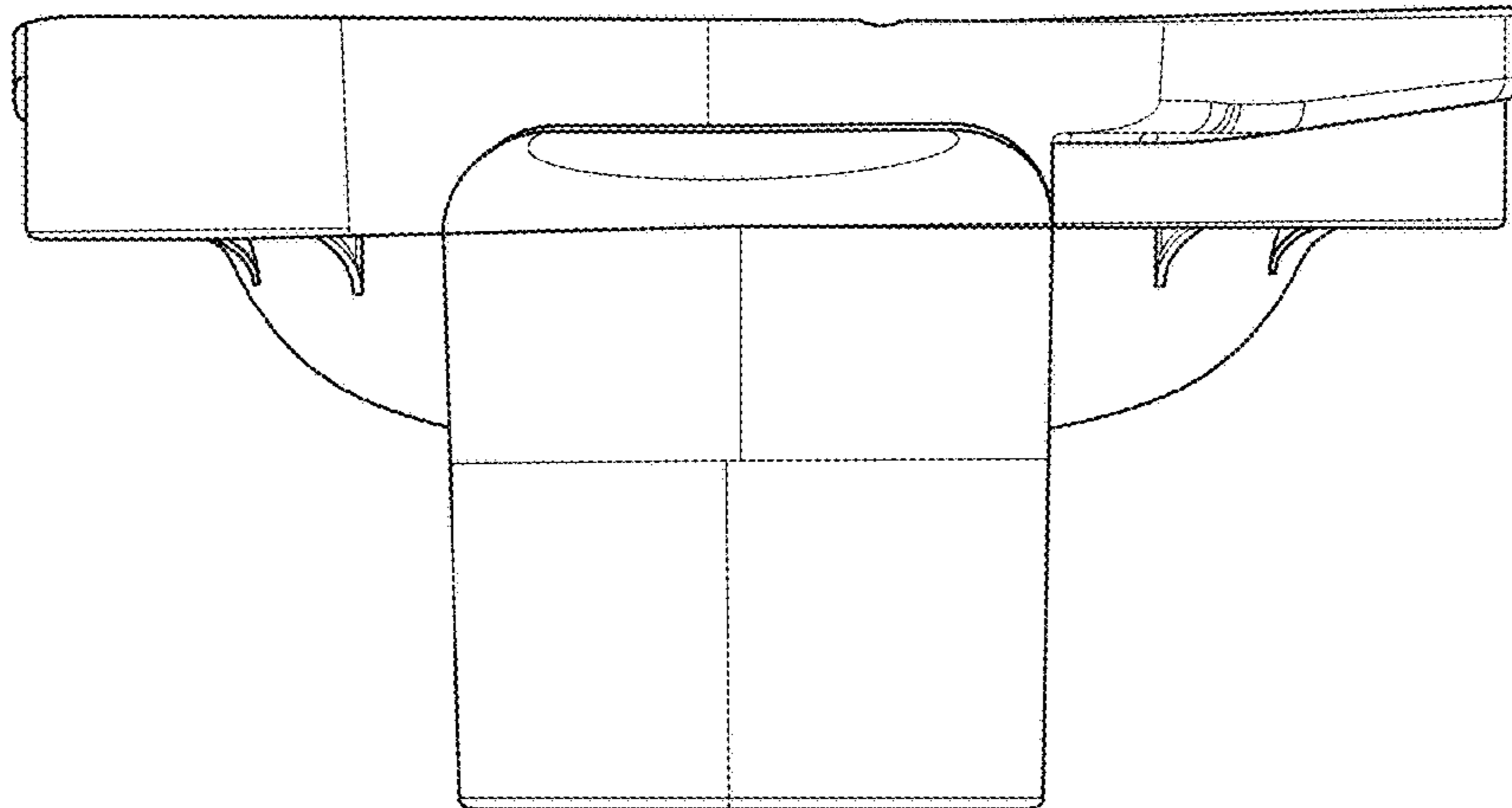


FIG. 1.1

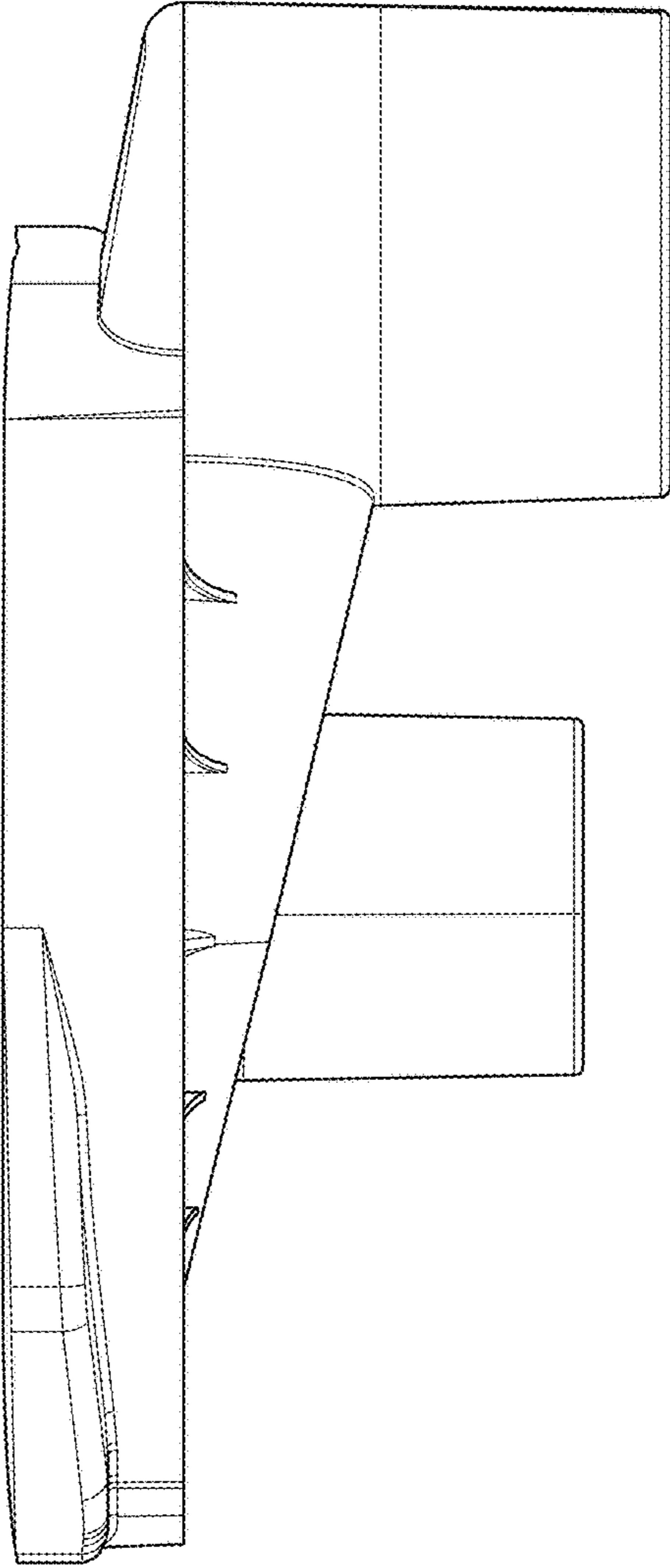


FIG. 1.2

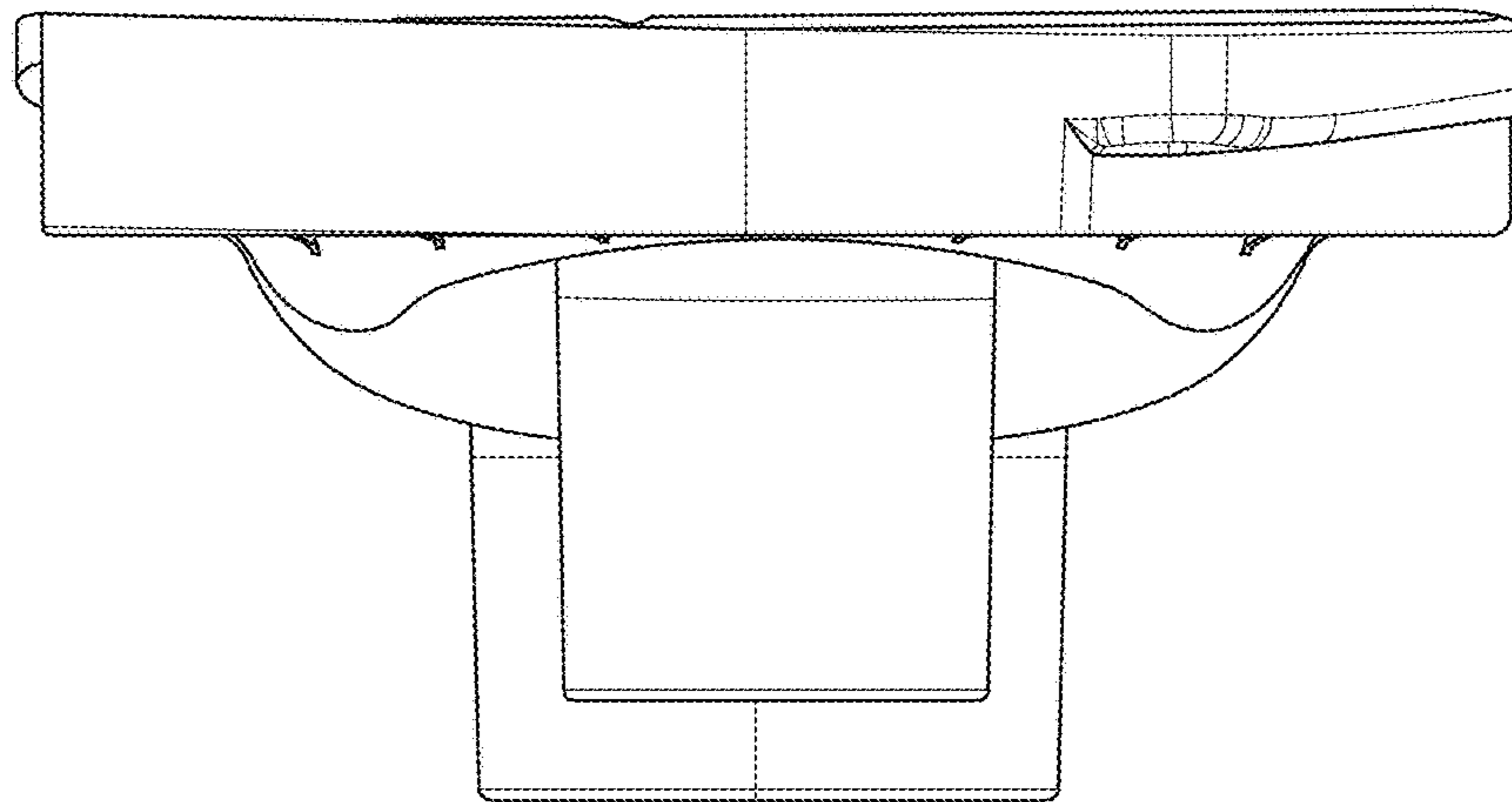


FIG. 1.3

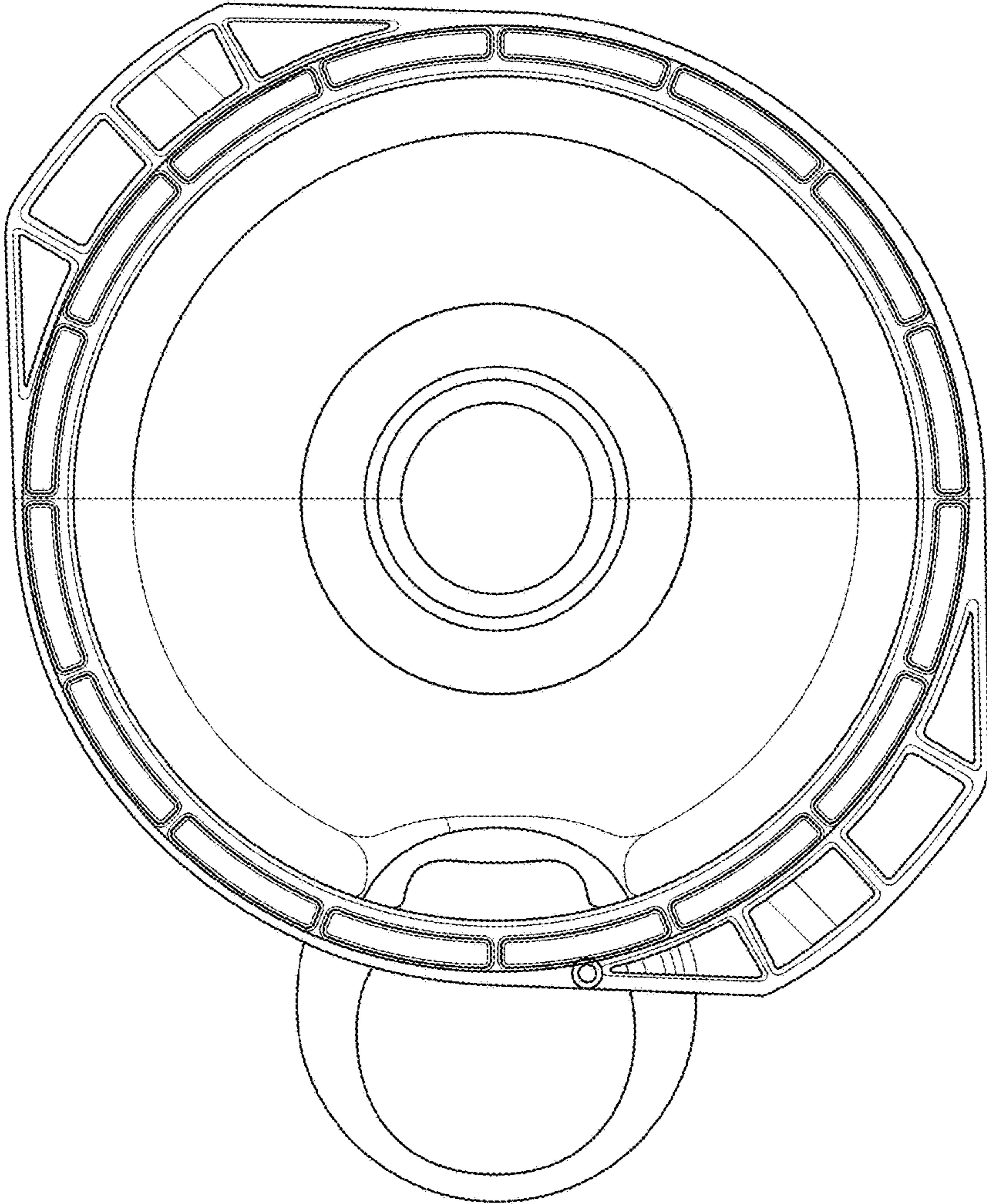


FIG. 1.4

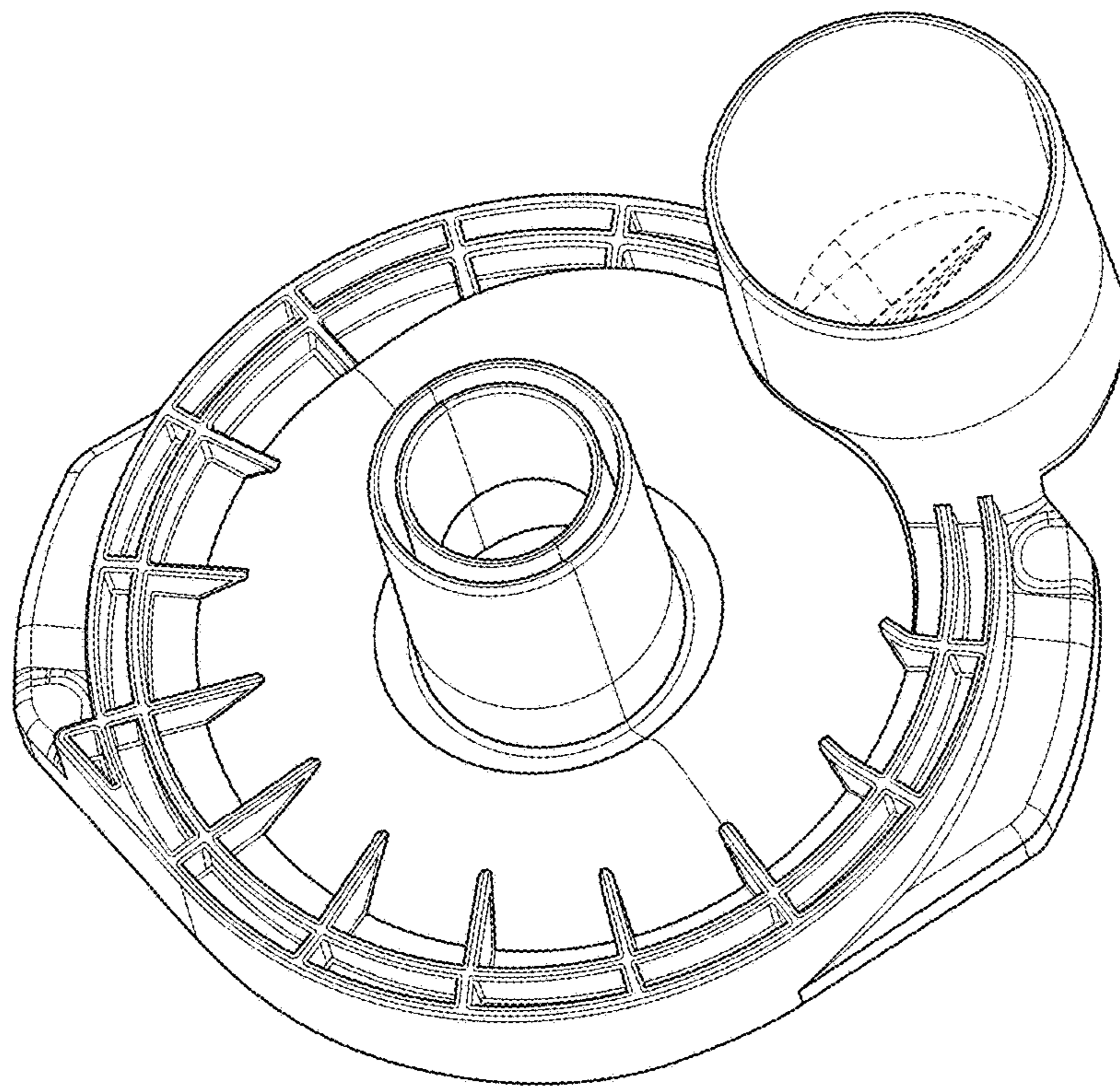


FIG. 1.5

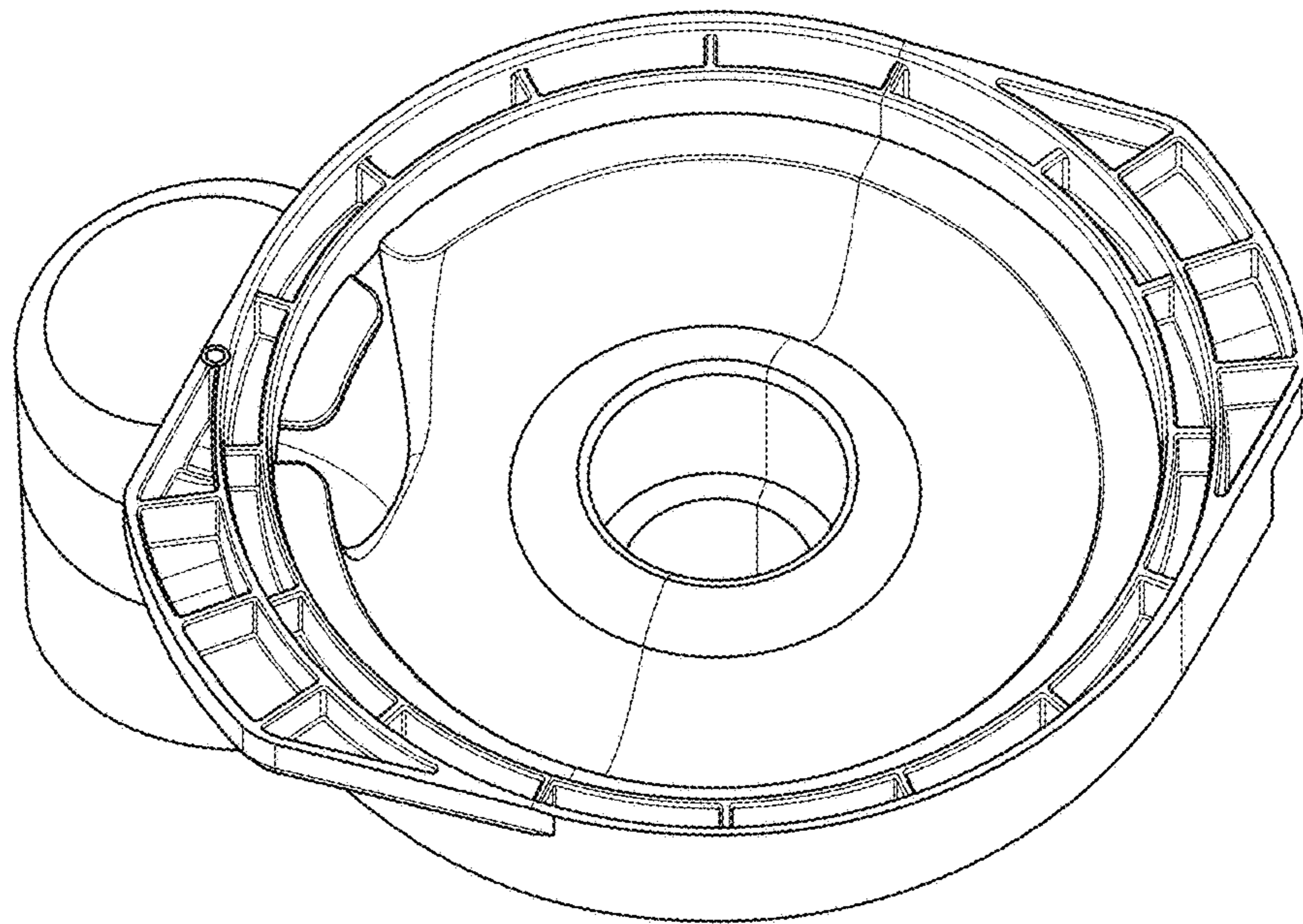


FIG. 1.6

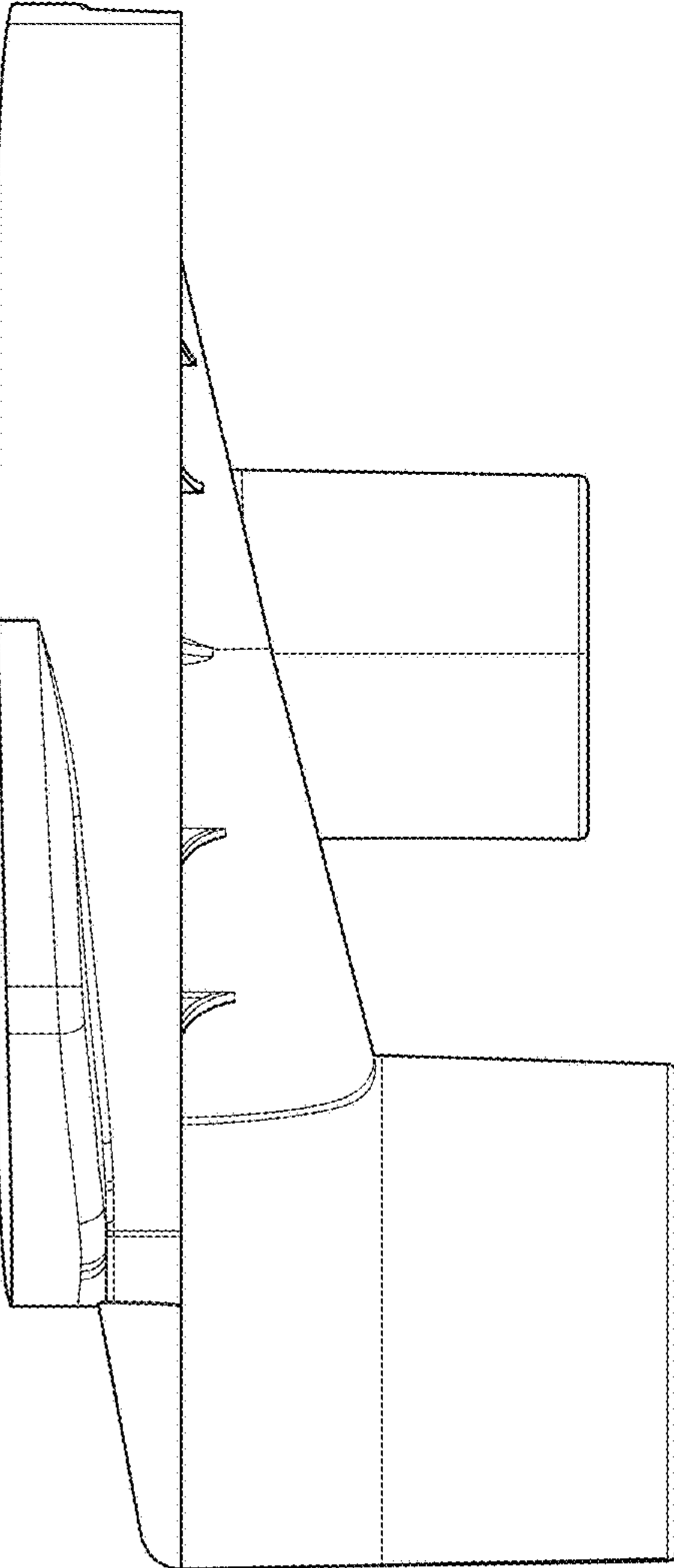


FIG. 1.7



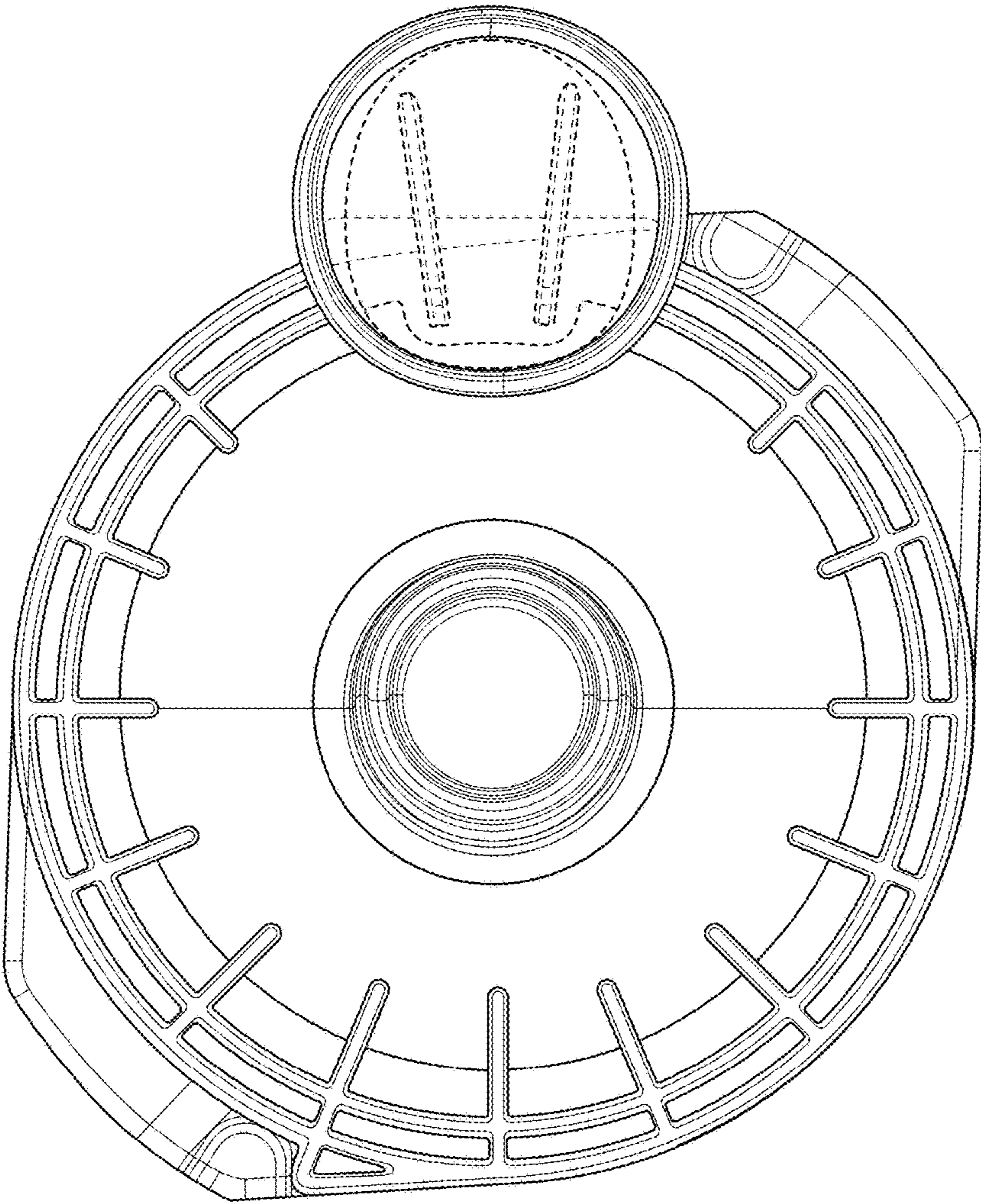


FIG. 1.8