



US00D868240S

(12) **United States Design Patent** (10) **Patent No.:** **US D868,240 S**  
**Collazo et al.** (45) **Date of Patent:** **\*\* \*Nov. 26, 2019**

- (54) **RESPIRATORY MASK**
- (71) Applicant: **InnoMed Healthscience, Inc.**, Coconut Creek, FL (US)
- (72) Inventors: **Louis Javier Collazo**, Pompano Beach, FL (US); **Christopher Agami**, Coral Springs, FL (US); **Bruce M. Sher**, North Palm Beach, FL (US); **Shara A. Hernandez**, Davie, FL (US)
- (73) Assignee: **InnoMed Healthscience, Inc.**, Coconut Creek, FL (US)
- (\*) Notice: This patent is subject to a terminal disclaimer.
- (\*\*) Term: **15 Years**
- (21) Appl. No.: **29/626,257**
- (22) Filed: **Nov. 15, 2017**
- (51) **LOC (12) Cl.** ..... **29-02**
- (52) **U.S. Cl.**  
USPC ..... **D24/110.1**
- (58) **Field of Classification Search**  
USPC ..... D24/110.1, 110.4–110.5, 106, 112, 135, D24/127  
CPC ..... A61M 16/0666; A61M 16/0683; A61M 16/06; A61M 2210/0618; A61M 16/0672; A61M 16/0622; A62B 23/06  
See application file for complete search history.

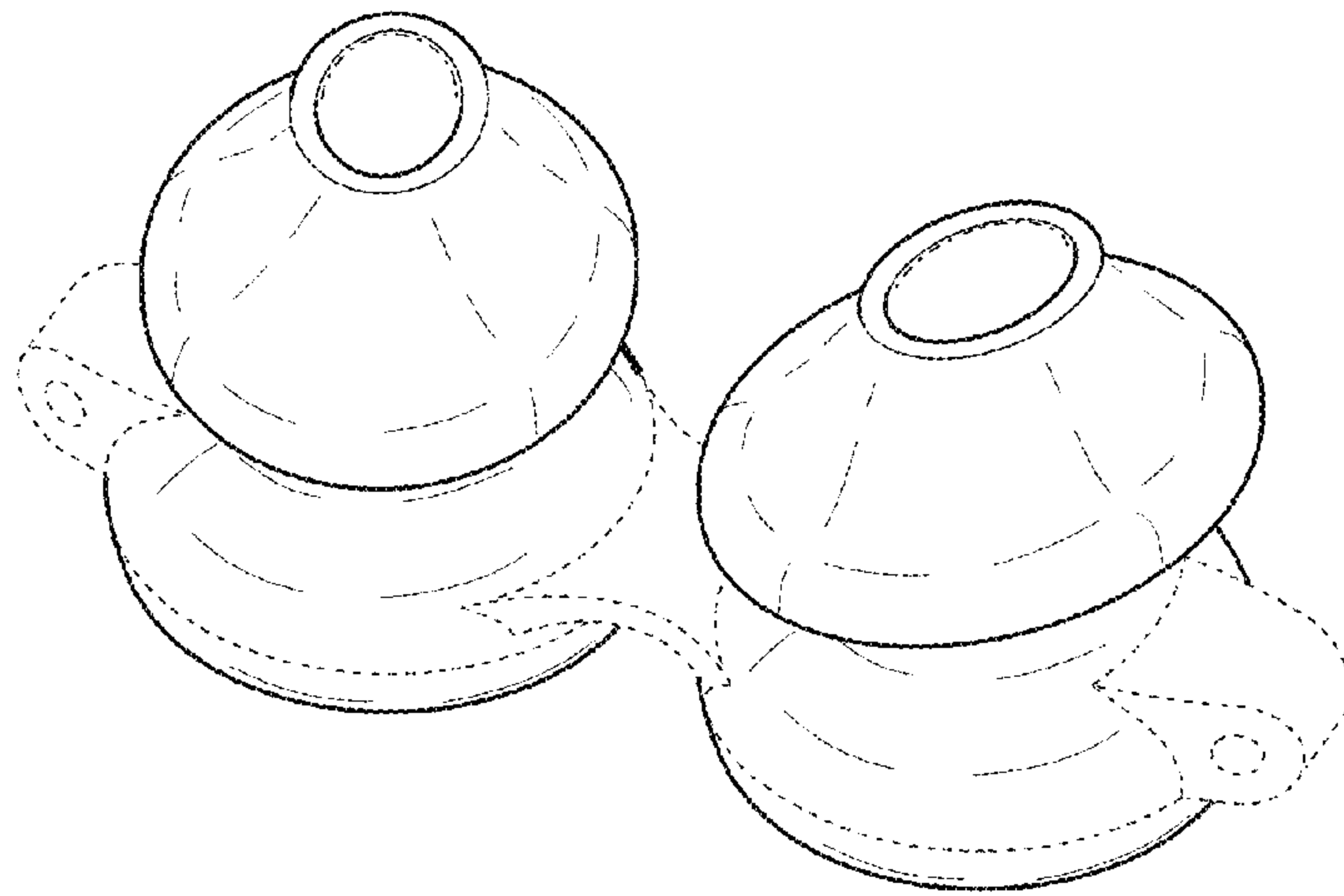
- (56) **References Cited**  
U.S. PATENT DOCUMENTS  
D486,227 S \* 2/2004 Fu ..... D24/110.1  
D550,352 S \* 9/2007 Chandran ..... D24/110.1  
D550,836 S \* 9/2007 Chandran ..... D24/110.1  
D564,089 S \* 3/2008 Chandran ..... D24/110.1  
D568,985 S \* 5/2008 Chandran ..... D24/110.1  
D583,047 S \* 12/2008 Chandran ..... D24/110.1  
(Continued)

Primary Examiner — Lilyana Bekic  
(74) Attorney, Agent, or Firm — Maier & Maier, PLLC

(57) **CLAIM**  
The ornamental design for a respiratory mask, as shown and described.

**DESCRIPTION**  
FIG. 1 is a top perspective view of a respiratory mask; FIG. 2 is a bottom perspective view thereof; FIG. 3 is a top plan view thereof; FIG. 4 is a bottom plan view thereof; FIG. 5 is a front elevation view thereof; FIG. 6 is a rear elevation view thereof; FIG. 7 is a left side elevation view thereof; FIG. 8 is a right side elevation view thereof; FIG. 9 is a top perspective view thereof shown with a headgear attachment; FIG. 10 is a bottom perspective view thereof shown with a headgear attachment; FIG. 11 is a top plan view thereof shown with a headgear attachment; FIG. 12 is a bottom plan view thereof shown with a headgear attachment; FIG. 13 is a front elevation view thereof shown with a headgear attachment; FIG. 14 is a rear elevation view thereof shown with a headgear attachment; FIG. 15 is a left side elevation view thereof shown with a headgear attachment; and, FIG. 16 is a right side elevation view thereof shown with a headgear attachment.  
The broken line showing of portions of the respiratory mask form no part of the claimed design.  
The dot-dash-dot broken lines define the bounds of the claim and form no part thereof. The boundary lines appear on interior surfaces of the respiratory mask, where visible, and immediately adjacent to claimed edges, representing that the interior surface forms no part of the claimed design.

**1 Claim, 10 Drawing Sheets**



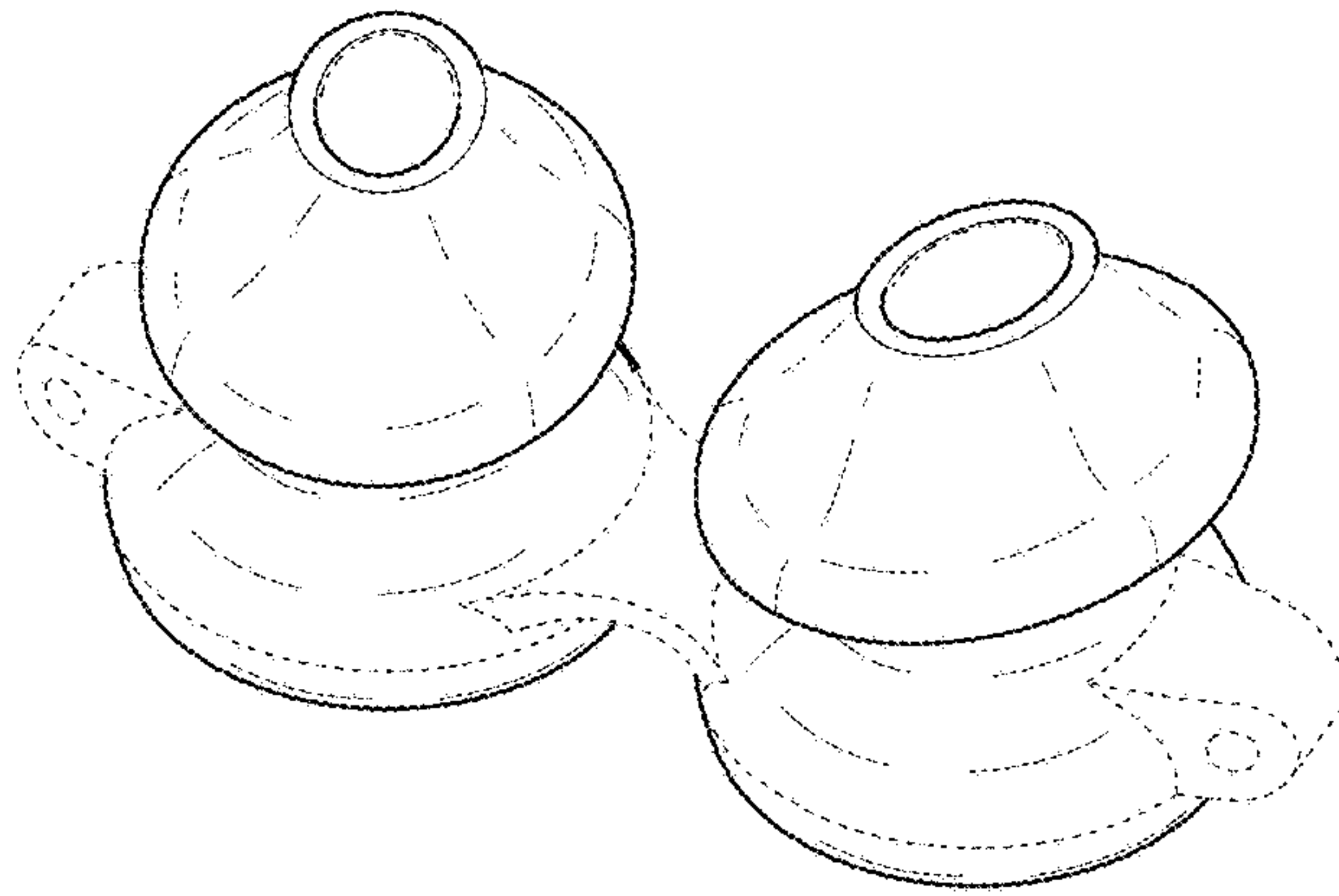
(56)

References Cited

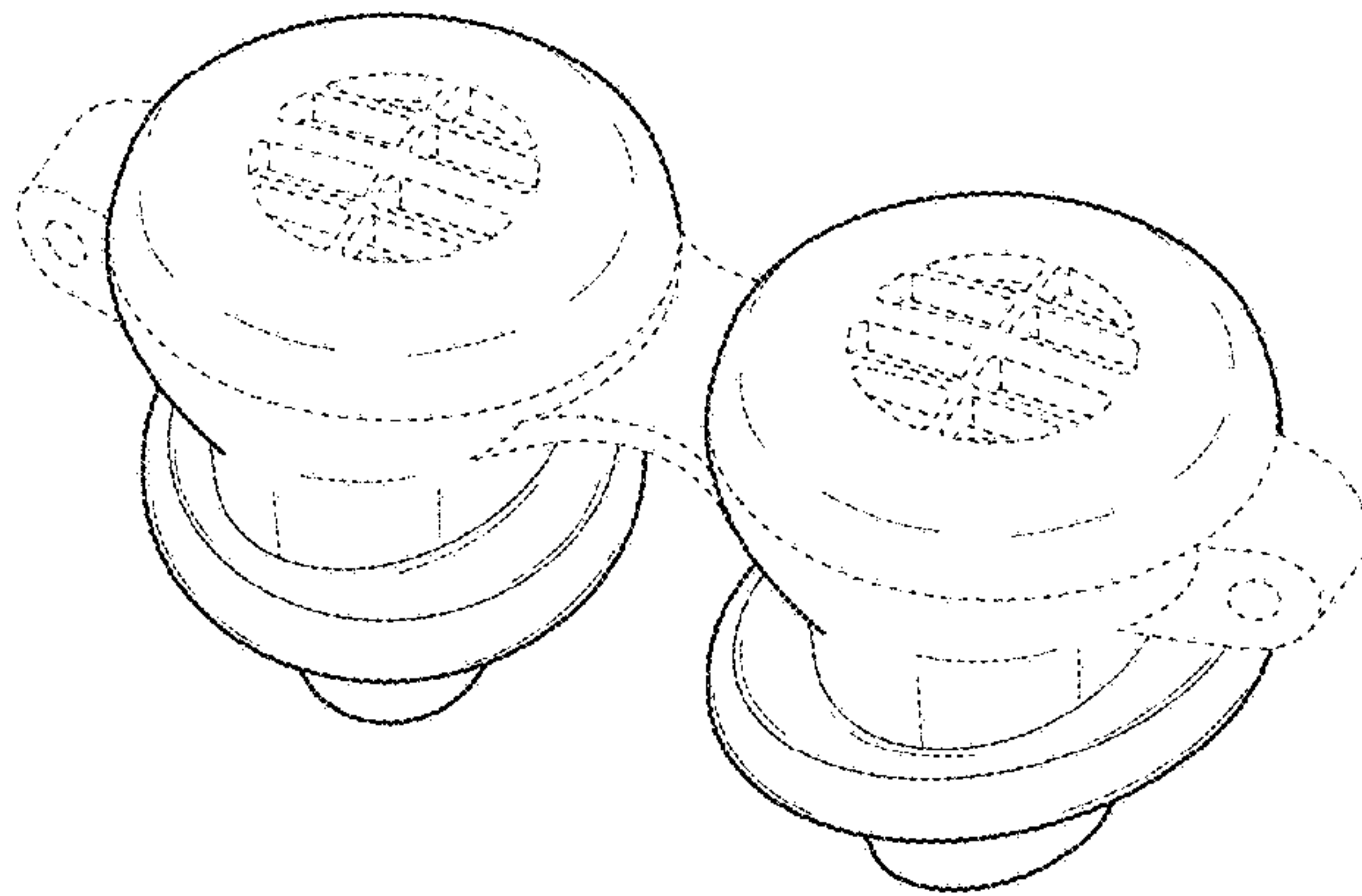
U.S. PATENT DOCUMENTS

|              |      |         |                |                            |
|--------------|------|---------|----------------|----------------------------|
| D583,049     | S *  | 12/2008 | Chandran ..... | D24/110.1                  |
| D589,139     | S *  | 3/2009  | Guney .....    | D24/110.1                  |
| D612,933     | S *  | 3/2010  | Prentice ..... | D24/110.1                  |
| D645,557     | S *  | 9/2011  | Scheiner ..... | D24/110.1                  |
| D674,480     | S *  | 1/2013  | Prentice ..... | D24/110.1                  |
| D770,608     | S *  | 11/2016 | Allum .....    | D24/110.1                  |
| 2006/0124131 | A1 * | 6/2006  | Chandran ..... | A61M 16/06<br>128/206.28   |
| 2008/0276938 | A1 * | 11/2008 | Jeppesen ..... | A61M 16/0666<br>128/204.18 |
| 2009/0095303 | A1 * | 4/2009  | Sher .....     | A61M 16/06<br>128/207.18   |
| 2009/0272386 | A1 * | 11/2009 | Kurtz .....    | A61F 5/56<br>128/848       |
| 2014/0083419 | A1 * | 3/2014  | Collazo .....  | A61M 16/208<br>128/202.22  |
| 2014/0360499 | A1 * | 12/2014 | Peets .....    | A61M 16/0672<br>128/204.12 |
| 2015/0075530 | A1 * | 3/2015  | Collazo .....  | A61M 16/06<br>128/205.25   |
| 2015/0250973 | A1 * | 9/2015  | Allum .....    | A61M 16/0666<br>128/205.25 |
| 2017/0216634 | A1 * | 8/2017  | Wan .....      | A62B 23/06                 |
| 2017/0368285 | A1 * | 12/2017 | Wood .....     | A61M 16/0666               |
| 2018/0008155 | A1 * | 1/2018  | Melker .....   | A61M 16/0627               |

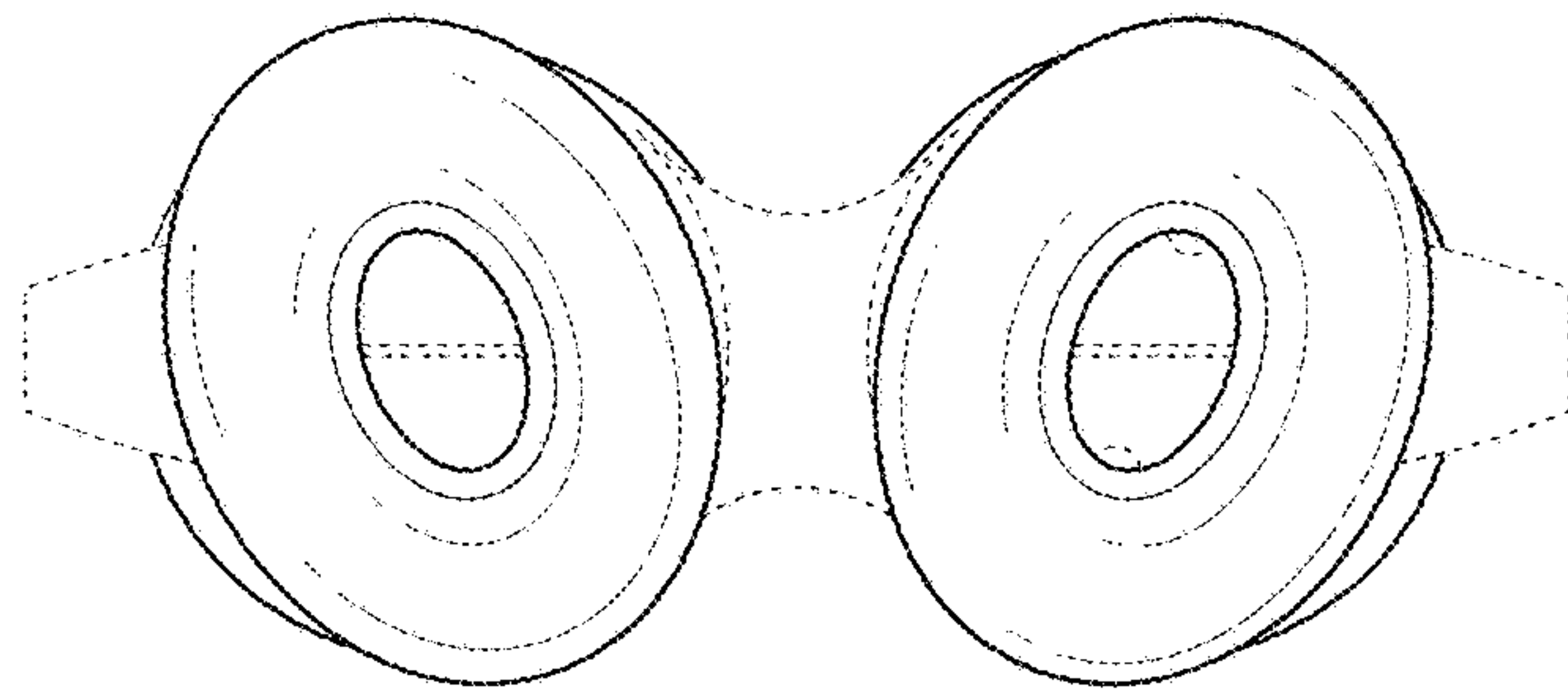
\* cited by examiner



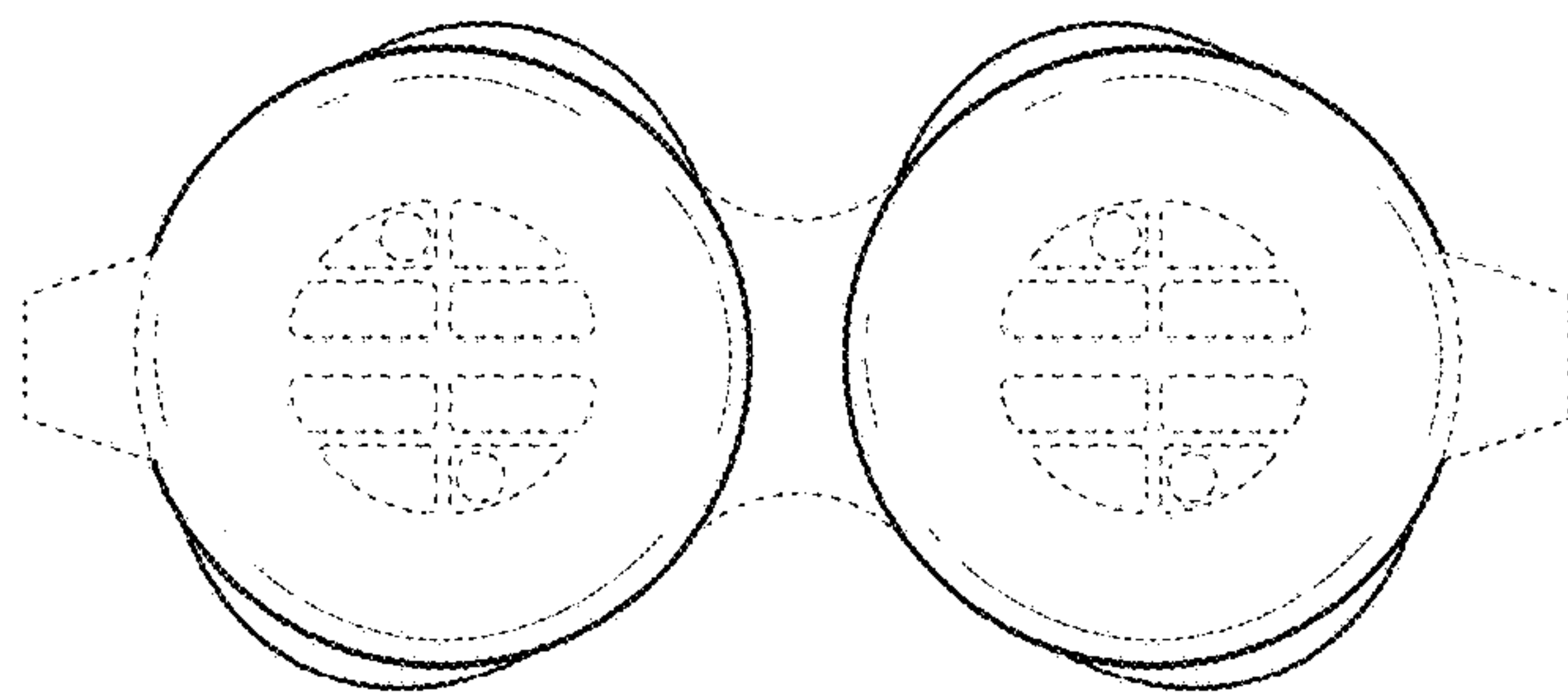
*Fig. 1*



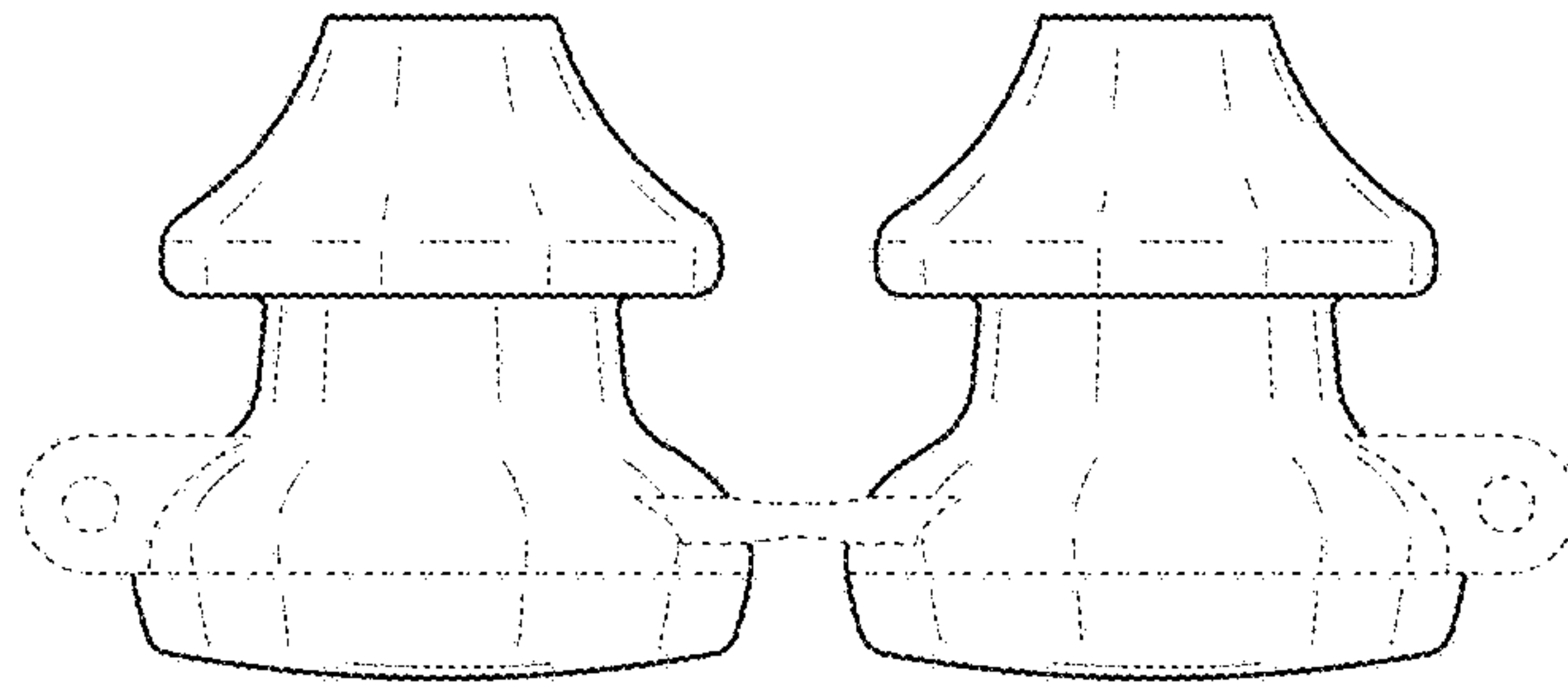
*Fig. 2*



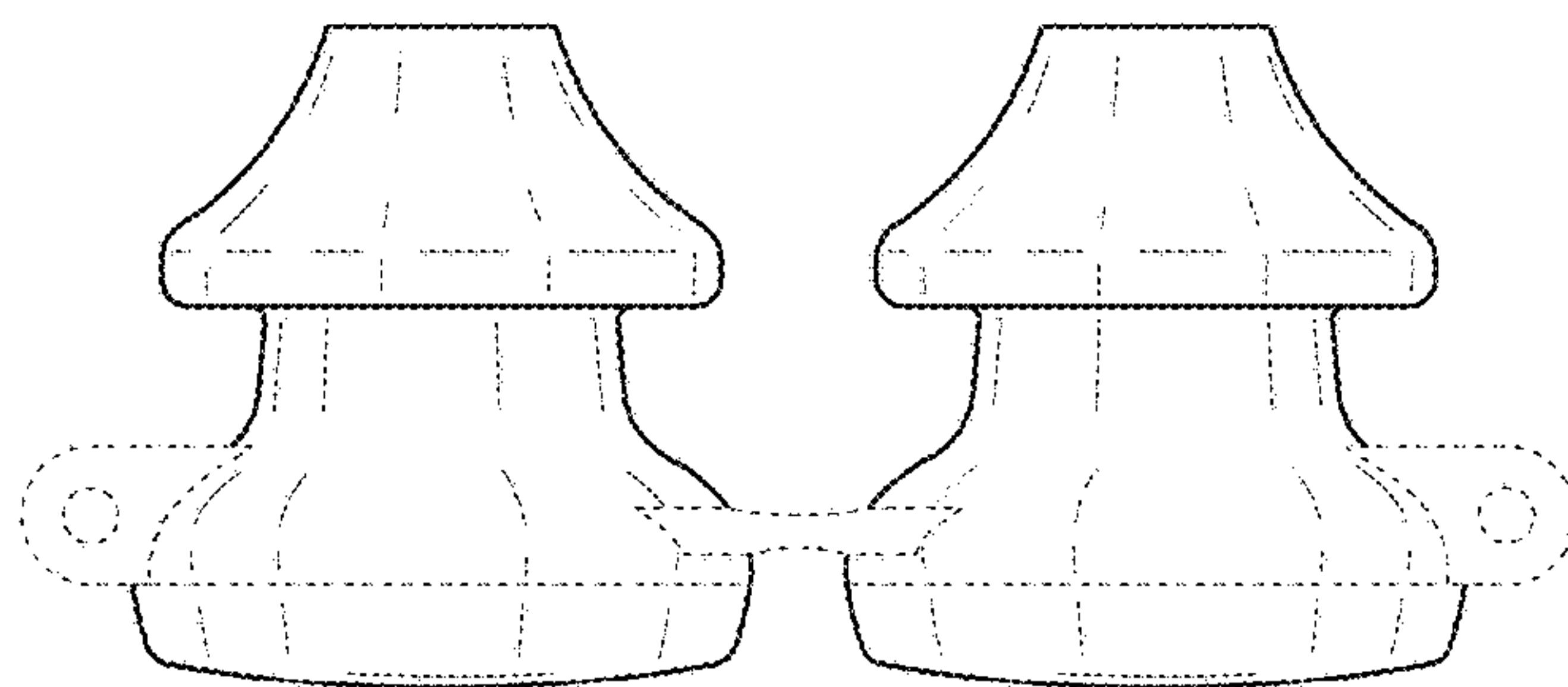
*Fig. 3*



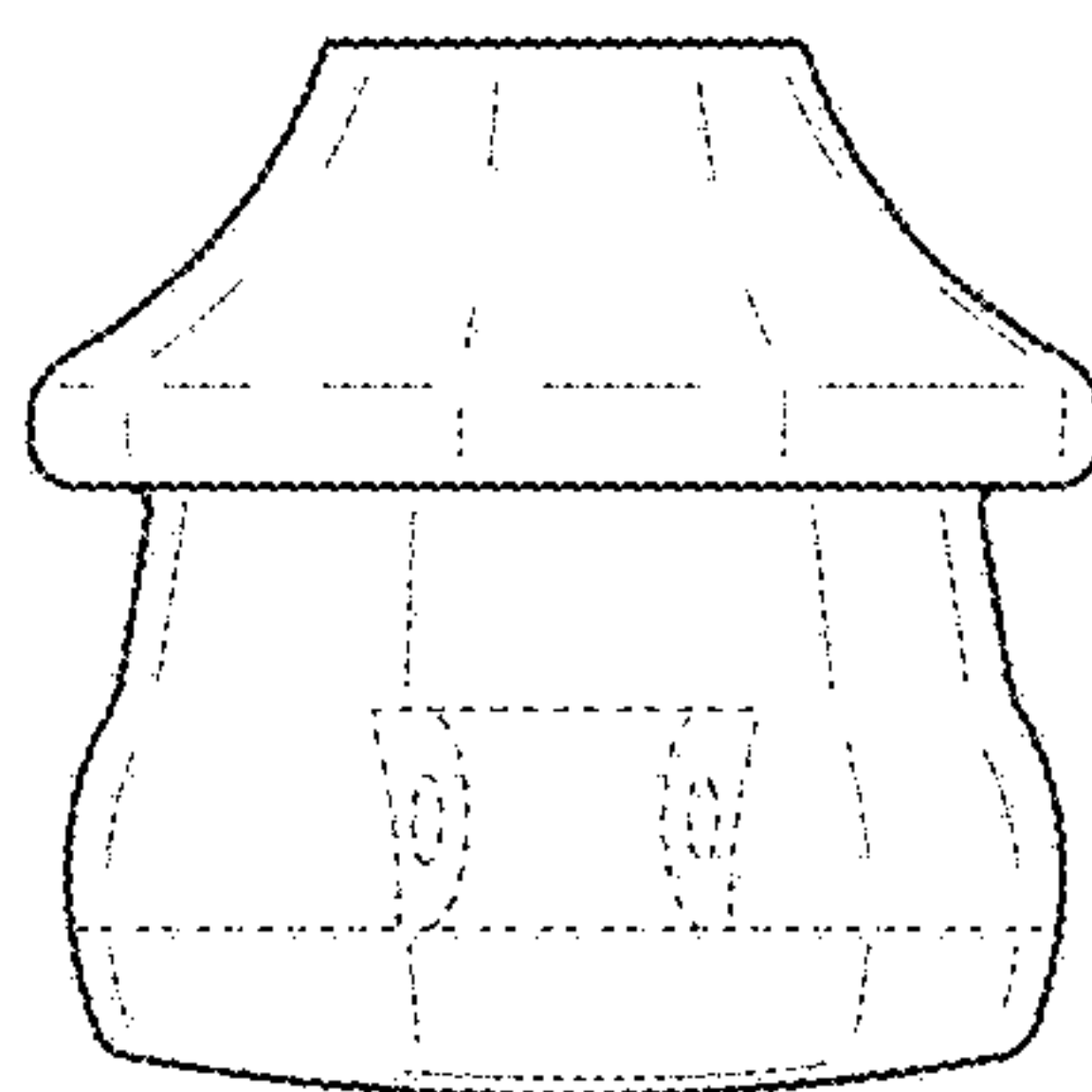
*Fig. 4*



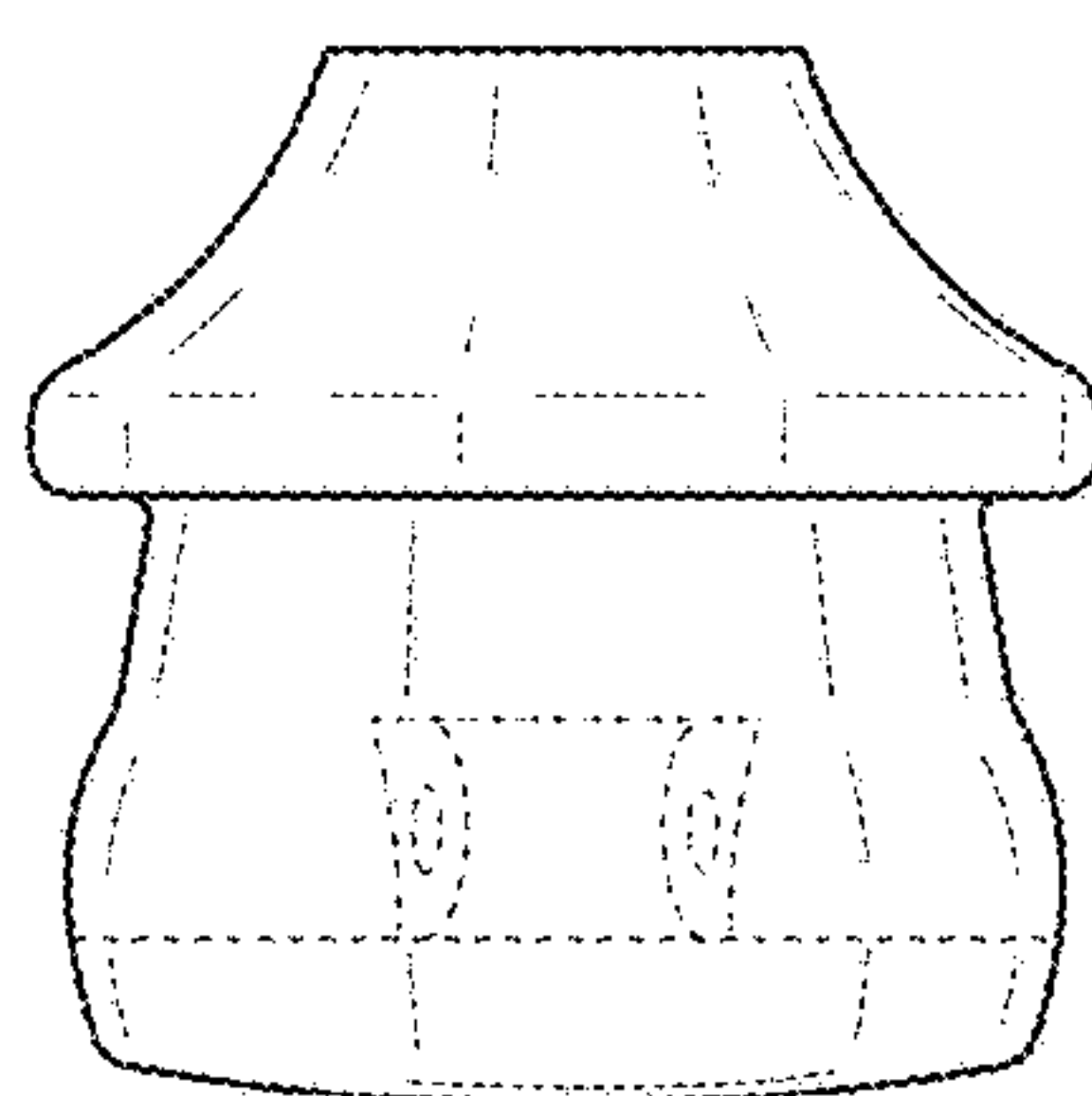
*Fig. 5*



*Fig. 6*



*Fig. 7*



*Fig. 8*



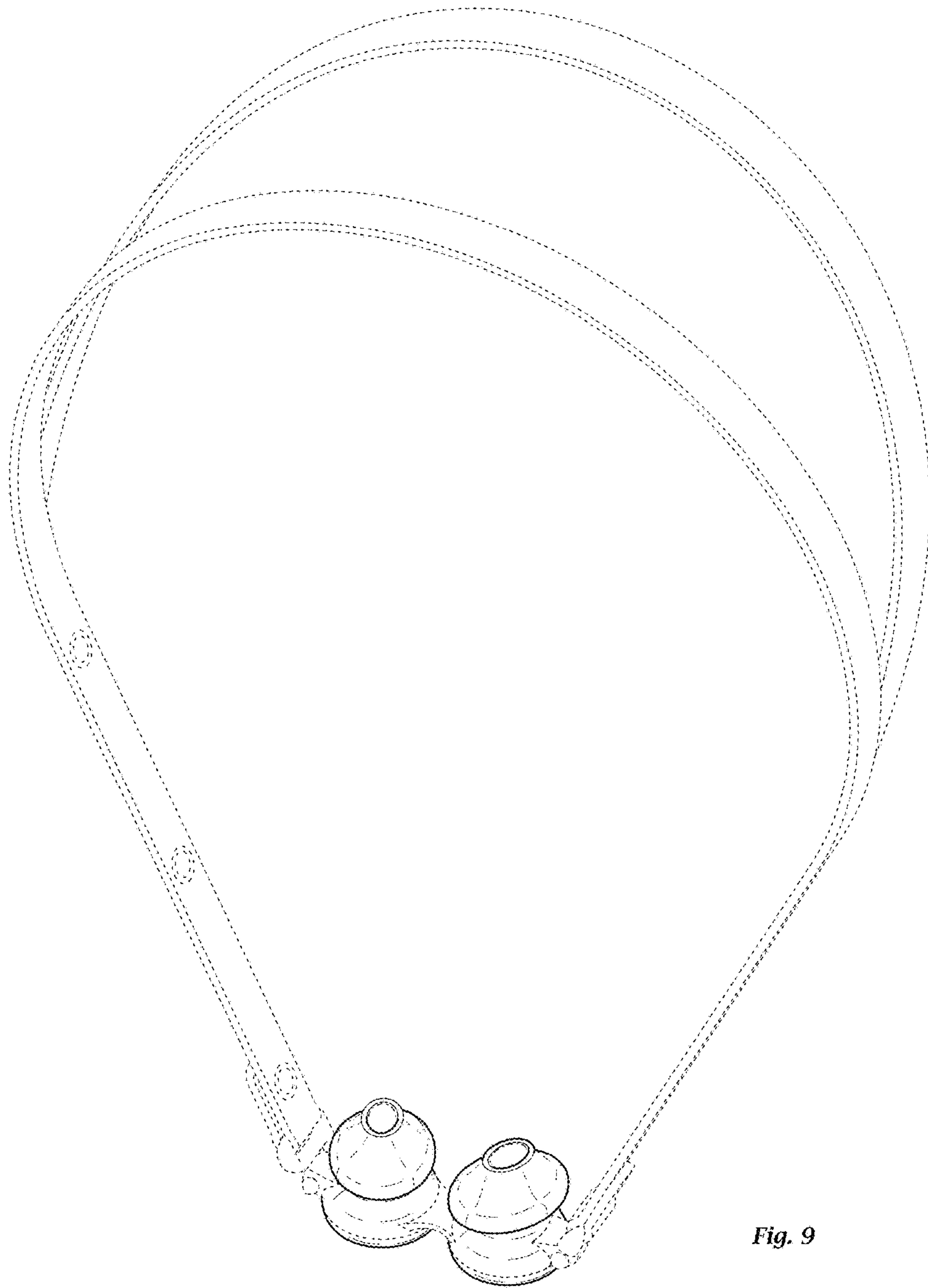


Fig. 9

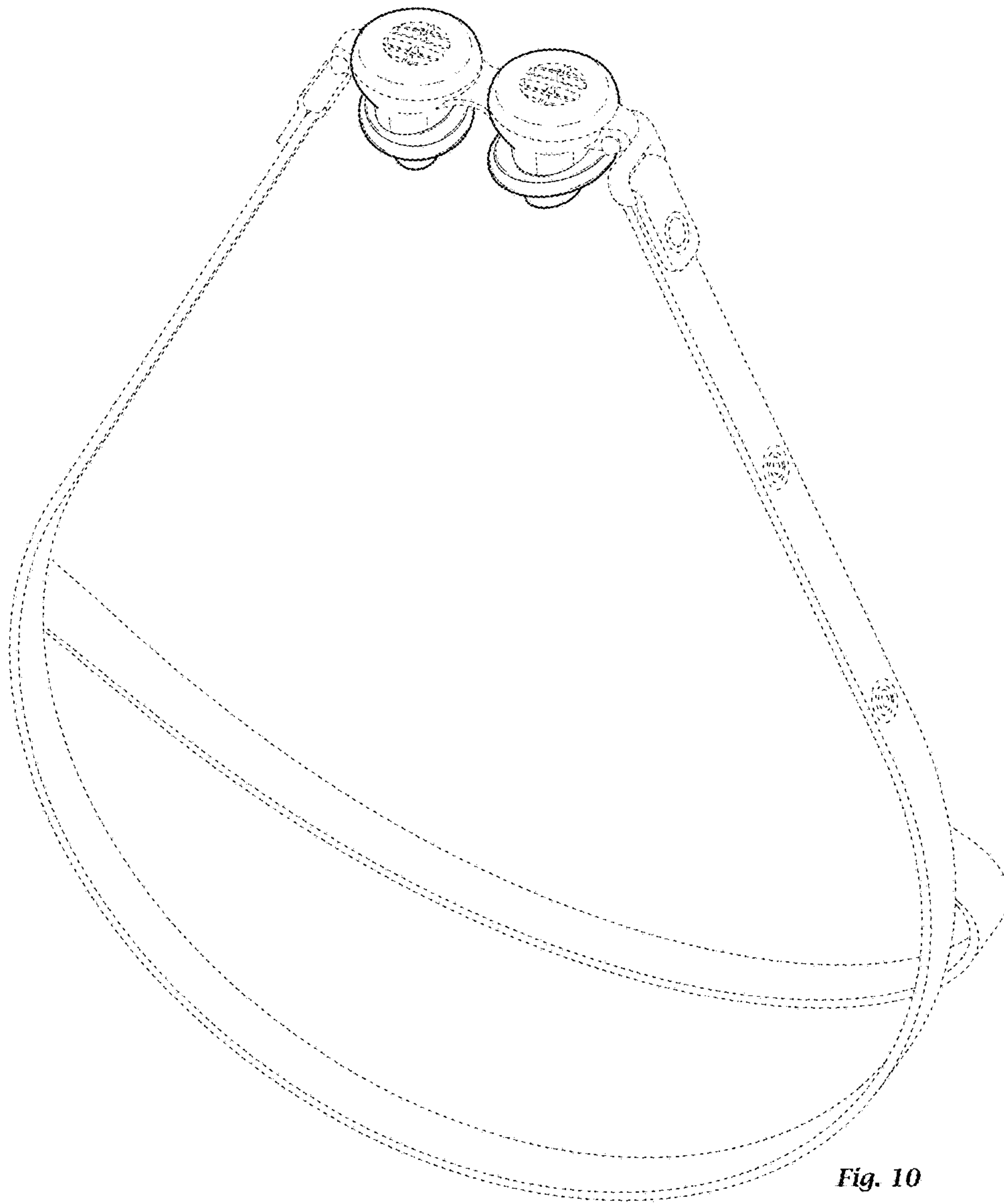


Fig. 10



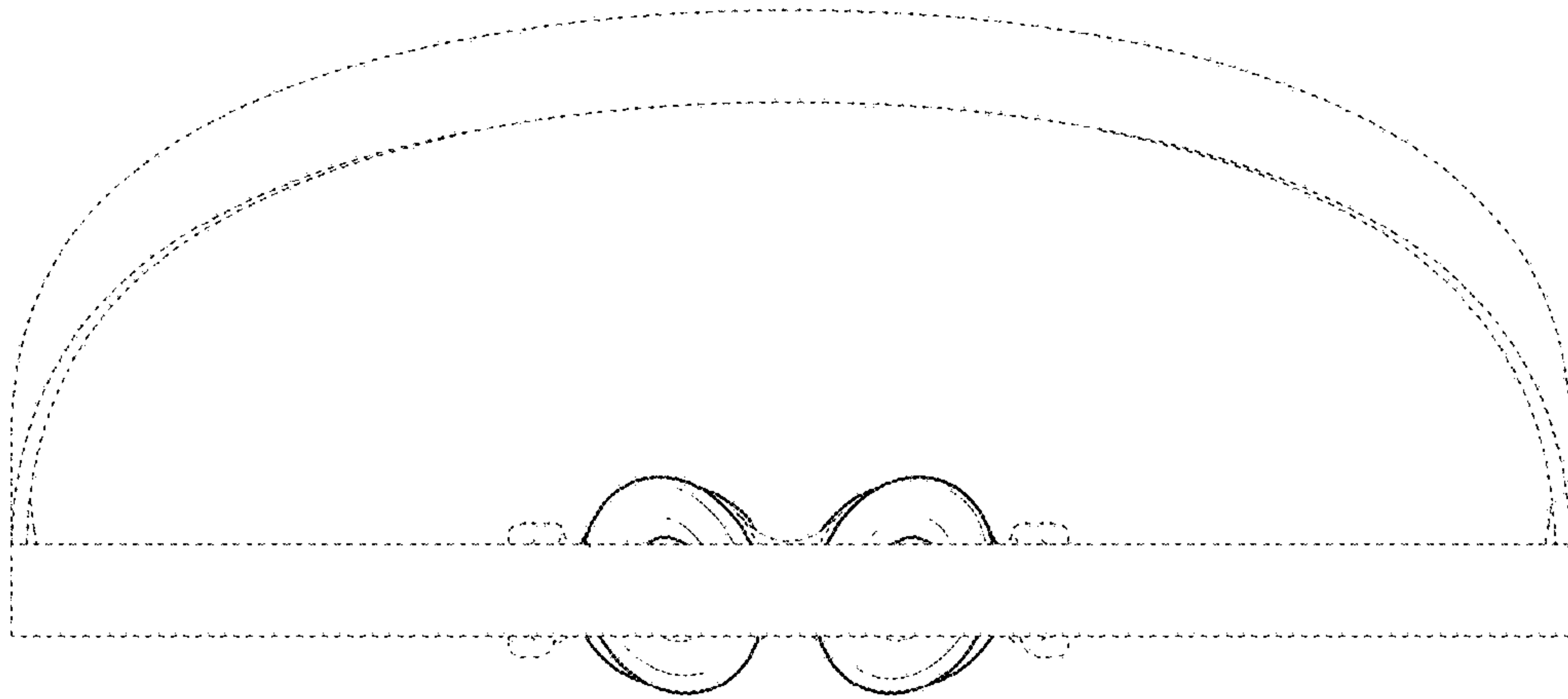


Fig. 11

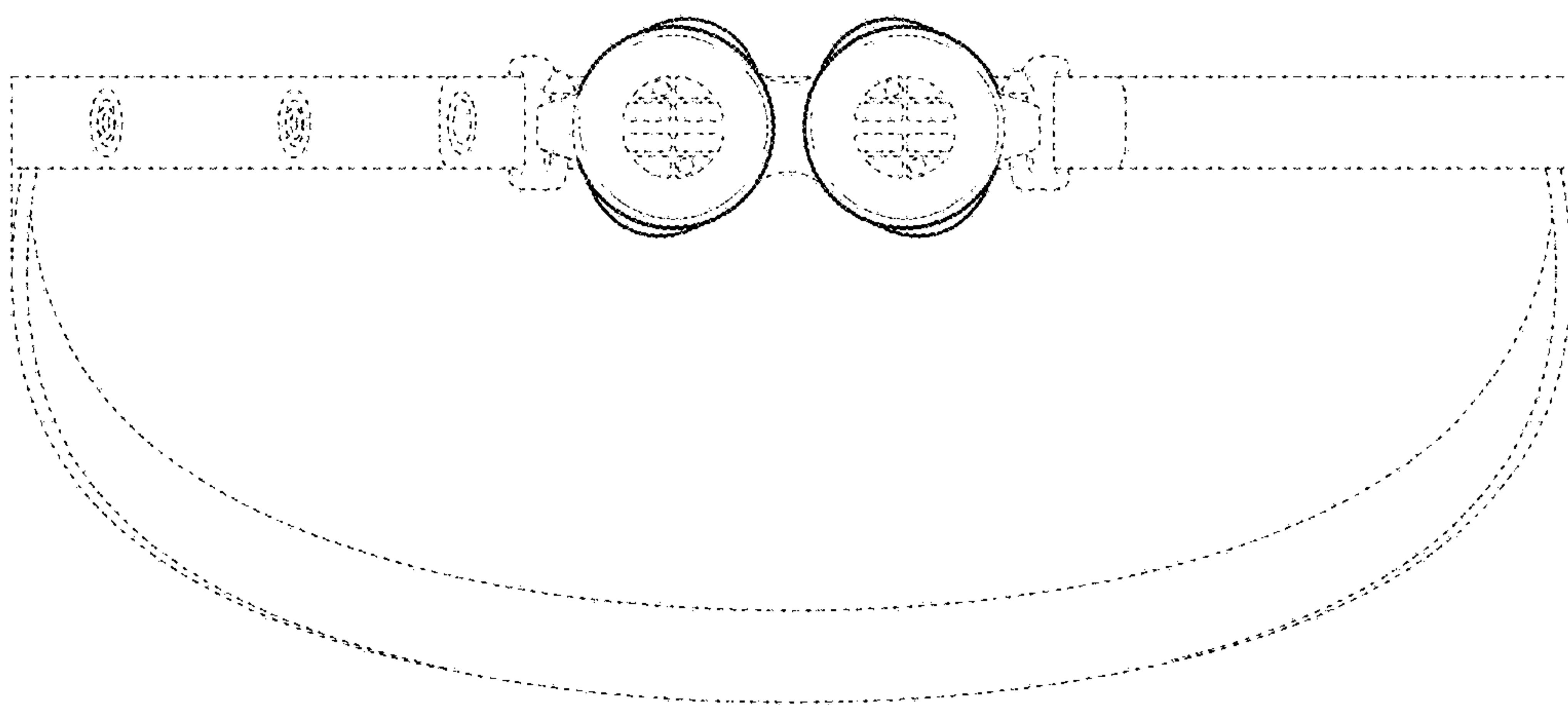
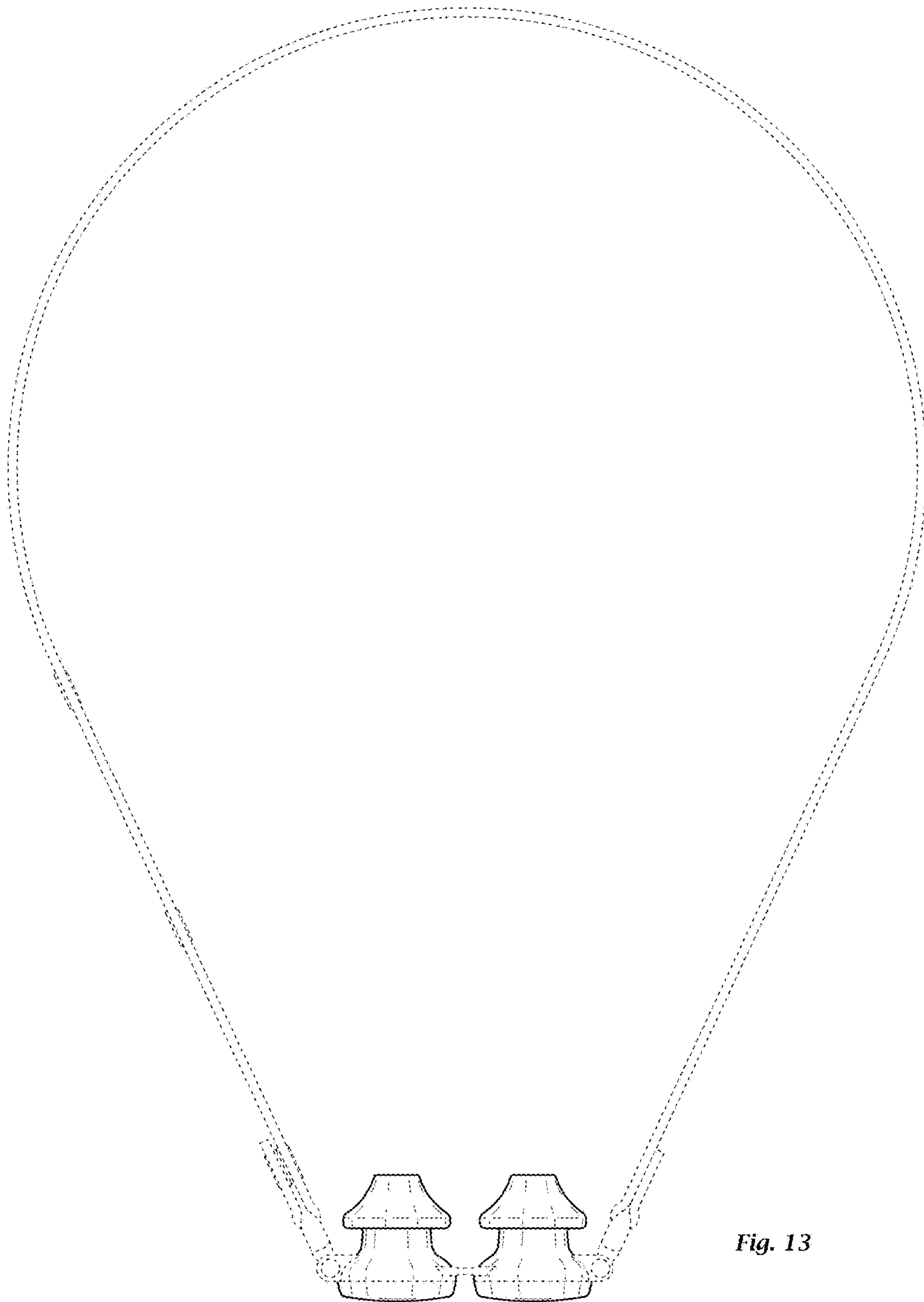
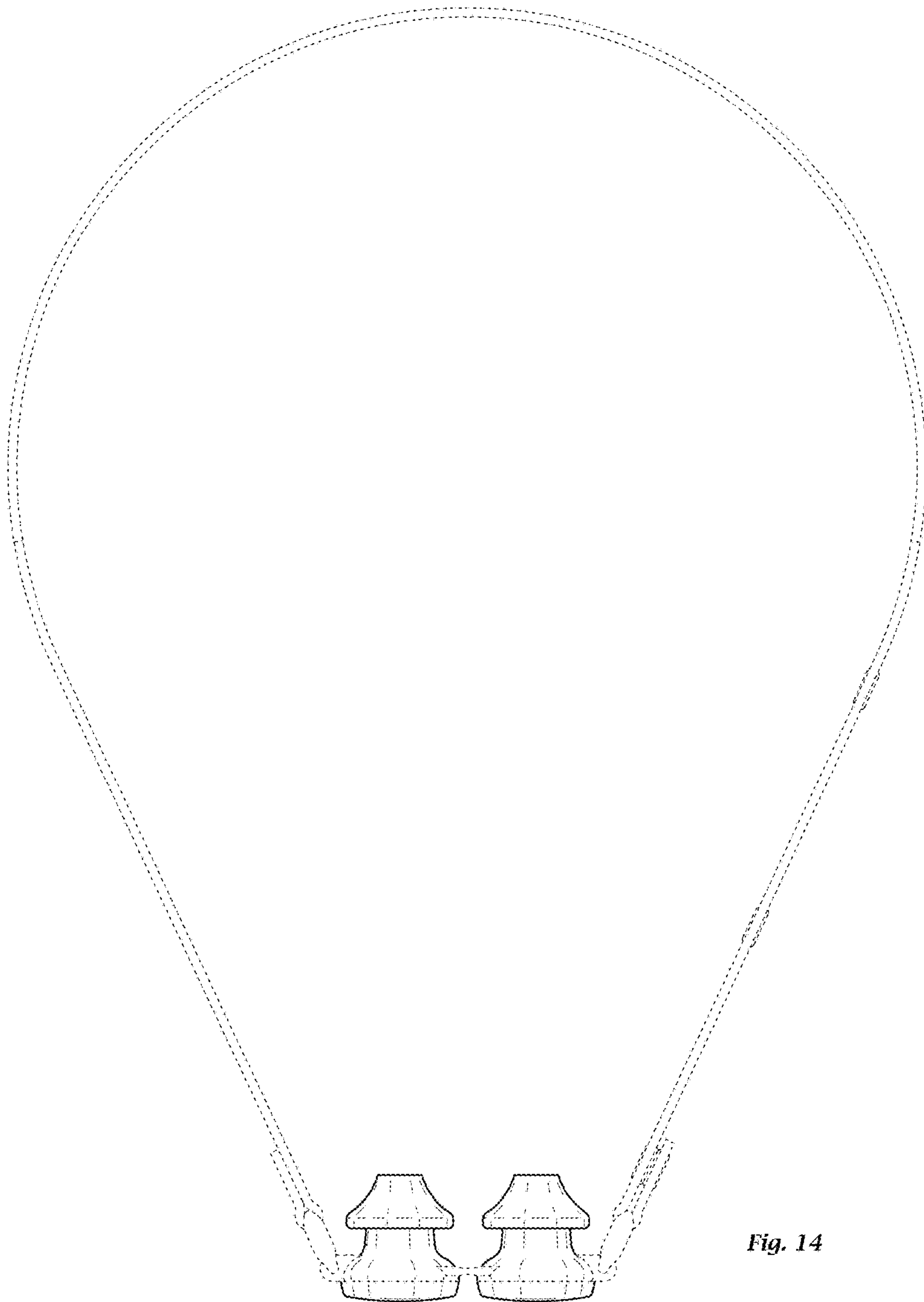


Fig. 12



*Fig. 13*



*Fig. 14*

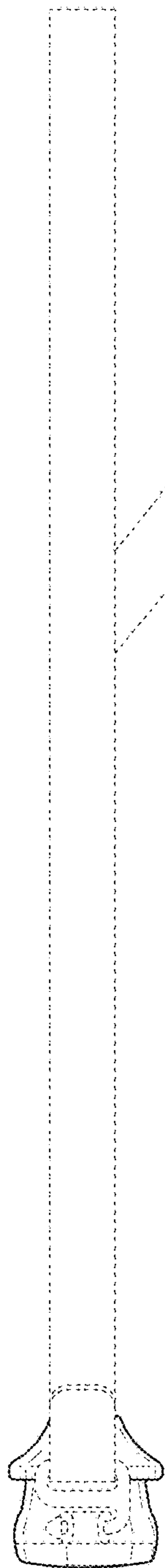


Fig. 15

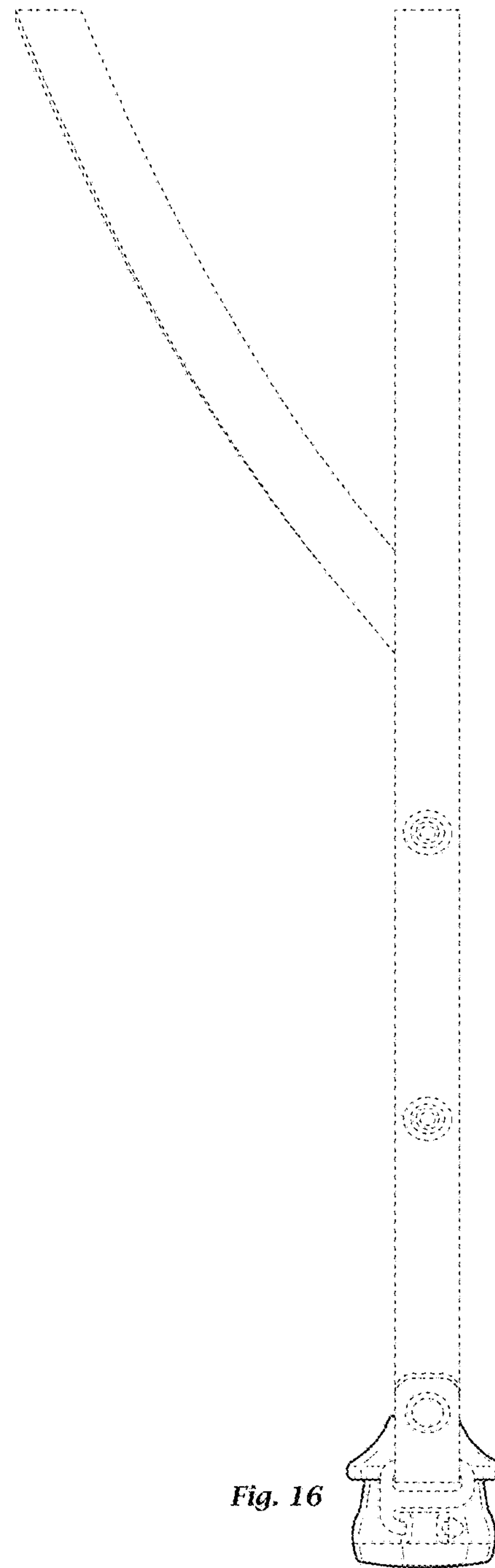


Fig. 16