



US00D868235S

(12) **United States Design Patent** (10) **Patent No.:** **US D868,235 S**
Tieger (45) **Date of Patent:** **** Nov. 26, 2019**

(54) **HEAT AND MOISTURE EXCHANGER COMPONENT**

(71) Applicant: **Atos Medical AB**, Horby (SE)

(72) Inventor: **Diana Tieger**, Horby (SE)

(73) Assignee: **Atos Medical AB** (SE)

(**) Term: **15 Years**

(21) Appl. No.: **29/573,363**

(22) Filed: **Aug. 4, 2016**

(30) **Foreign Application Priority Data**

May 6, 2016 (EM) 003113935-0001

May 6, 2016 (EM) 003113935-0002

May 6, 2016 (EM) 003113935-0003

(51) **LOC (12) Cl.** **23-01**

(52) **U.S. Cl.**
USPC **D23/386**

(58) **Field of Classification Search**
USPC D24/155-157; D23/386
CPC A61M 16/04; A61M 16/10; A61M 16/16;
A61M 16/20

See application file for complete search history.

(56) **References Cited**

U.S. PATENT DOCUMENTS

5,992,413 A * 11/1999 Martin, Jr. A61M 16/1045
128/201.13

6,039,696 A * 3/2000 Bell A61M 16/08
128/204.21

6,550,476 B1 * 4/2003 Ryder A61M 16/1045
128/201.13

D538,922 S * 3/2007 Graham D23/386

9,604,027 B2 * 3/2017 Graham A61M 16/047

2002/0157667 A1 * 10/2002 Fini A61M 16/1045
128/201.13

2012/0325205 A1* 12/2012 Allum A61M 16/0666

128/201.13

2013/0068219 A1* 3/2013 Collazo A61M 16/1045

128/201.13

2013/0133645 A1* 5/2013 Lee A61M 16/1045

128/201.13

(Continued)

Primary Examiner — Charles D Hanson

(74) *Attorney, Agent, or Firm* — Fishman Stewart PLLC

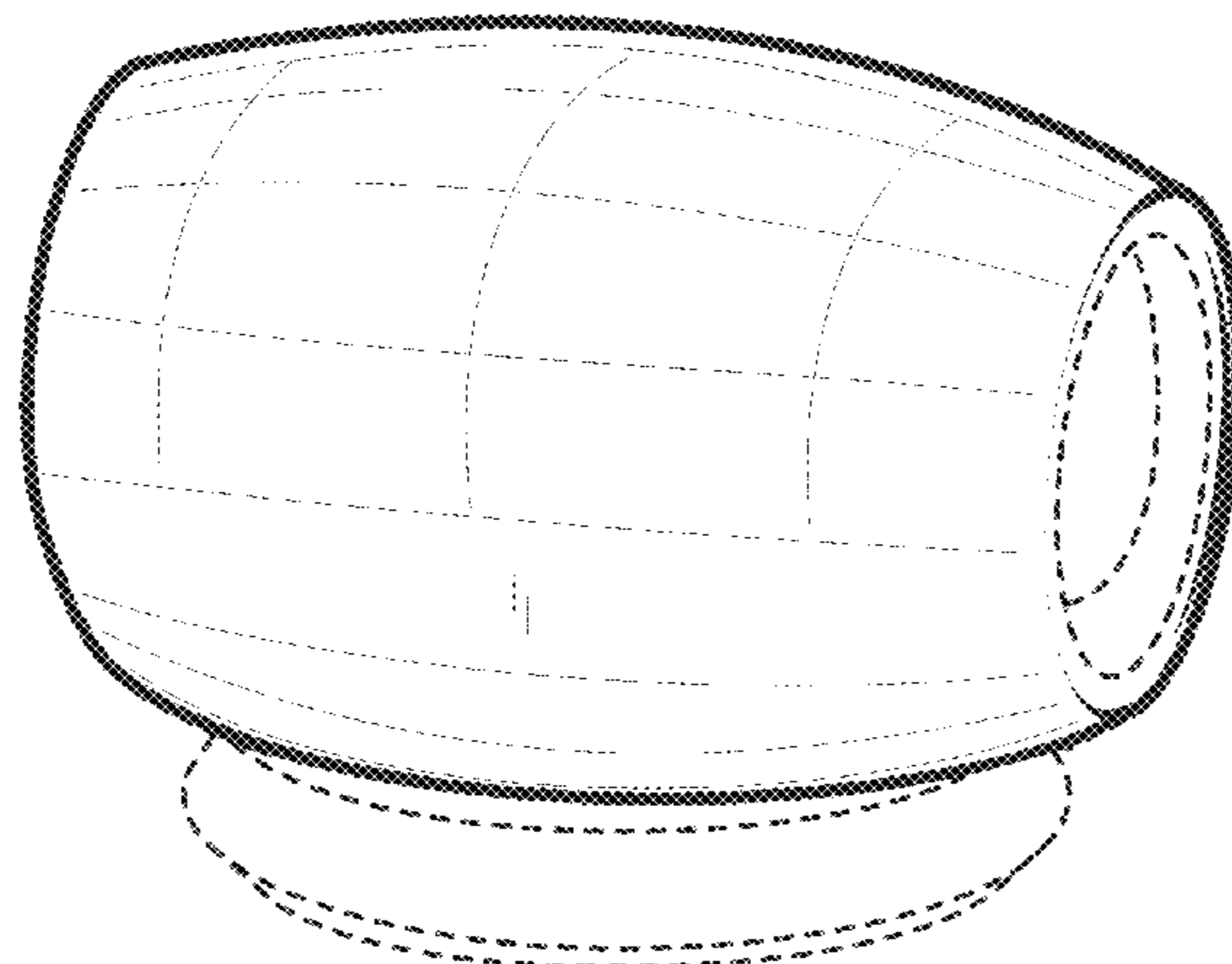
(57) **CLAIM**

The ornamental design for a heat and moisture exchanger component, as shown and described.

DESCRIPTION

FIG. 1 is a perspective view of a first embodiment;
FIG. 2 is a front view of a first embodiment;
FIG. 3 is a back view of a first embodiment
FIG. 4 is a left side view of a first embodiment;
FIG. 5 is a right side view of a first embodiment;
FIG. 6 is a top view of a first embodiment;
FIG. 7 is a bottom view of a first embodiment;
FIG. 8 is a perspective view of a second embodiment;
FIG. 9 is a front view of a second embodiment;
FIG. 10 is a back view of a second embodiment;
FIG. 11 is a left side view of a second embodiment;
FIG. 12 is a right side view of a second embodiment;
FIG. 13 is a top view of a second embodiment;
FIG. 14 is a bottom view of a second embodiment;
FIG. 15 is a perspective view of a third embodiment;
FIG. 16 is a front view of a third embodiment;
FIG. 17 is a back view of a third embodiment;
FIG. 18 is a left side view of a third embodiment;
FIG. 19 is a right side view of a third embodiment;
FIG. 20 is a top view of a third embodiment; and,
FIG. 21 is a bottom view of a third embodiment.
Portions of the figures shown in broken lines illustrate unclaimed subject matter and form no part of the claimed design.

1 Claim, 12 Drawing Sheets



(56)

References Cited

U.S. PATENT DOCUMENTS

2018/0021538 A1* 1/2018 Shirley A61M 16/1045
128/201.13
2018/0256842 A1* 9/2018 Fahl A61M 16/0468
2019/0001187 A1* 1/2019 Costella A63B 23/18

* cited by examiner

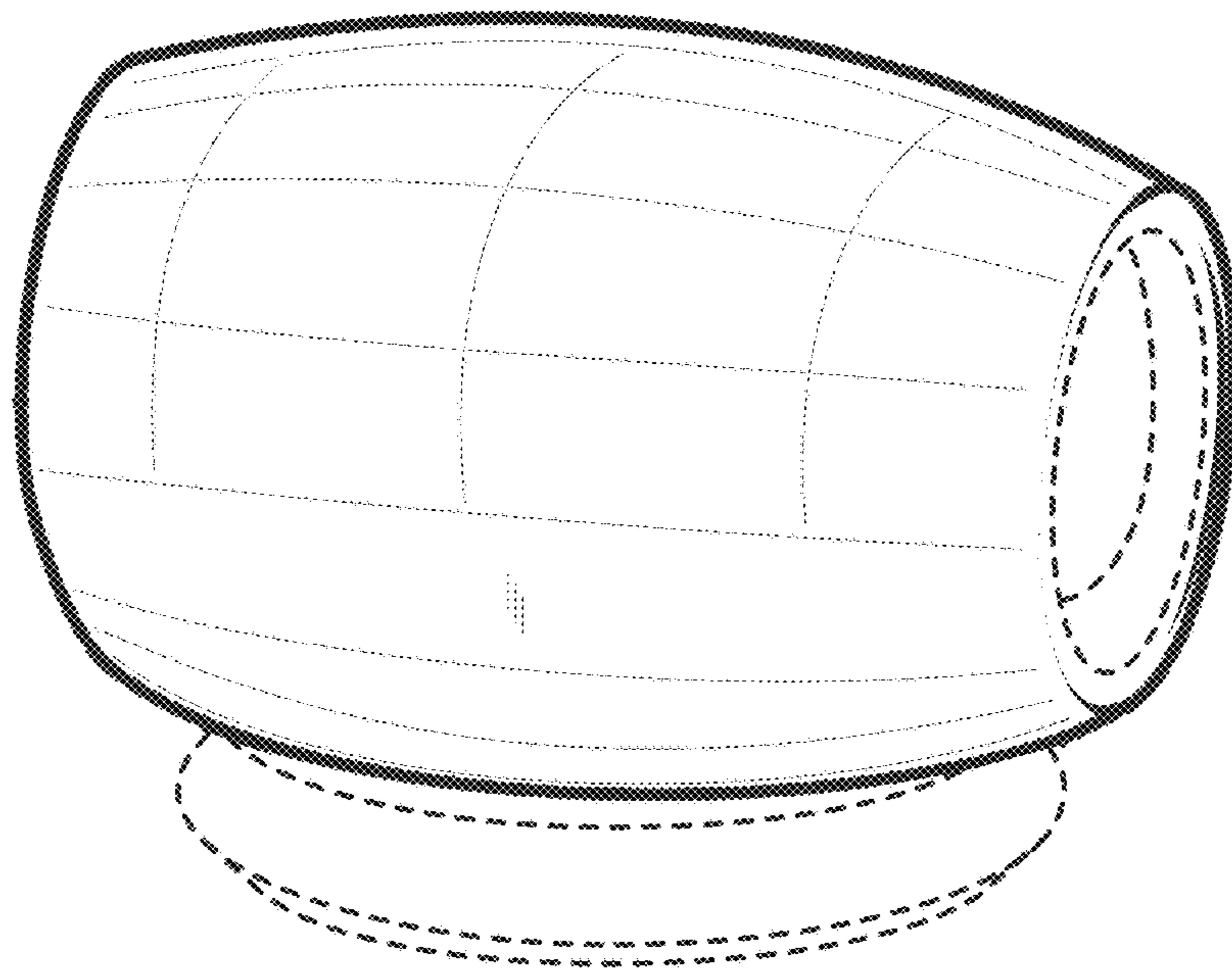


FIG. 1

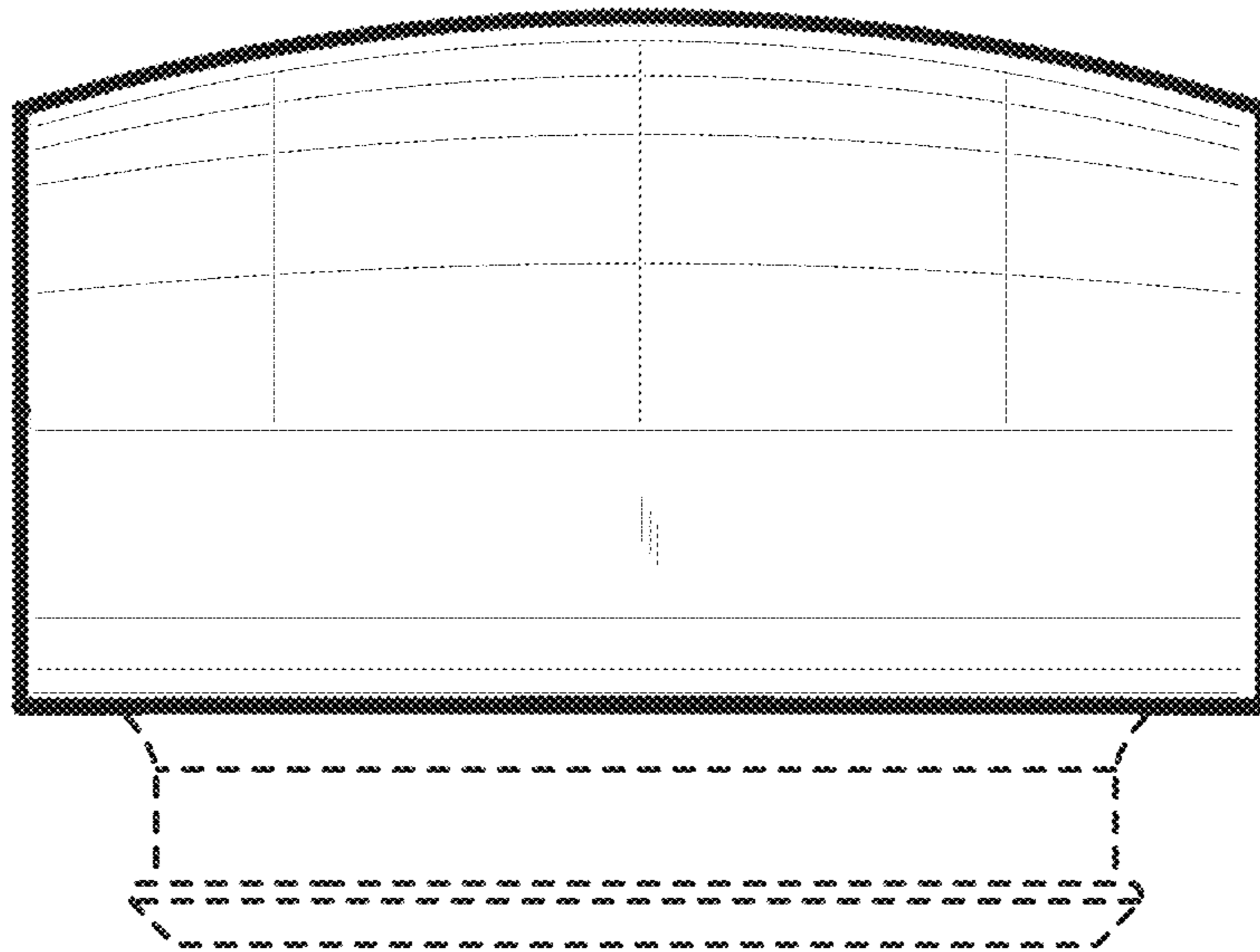


FIG. 2

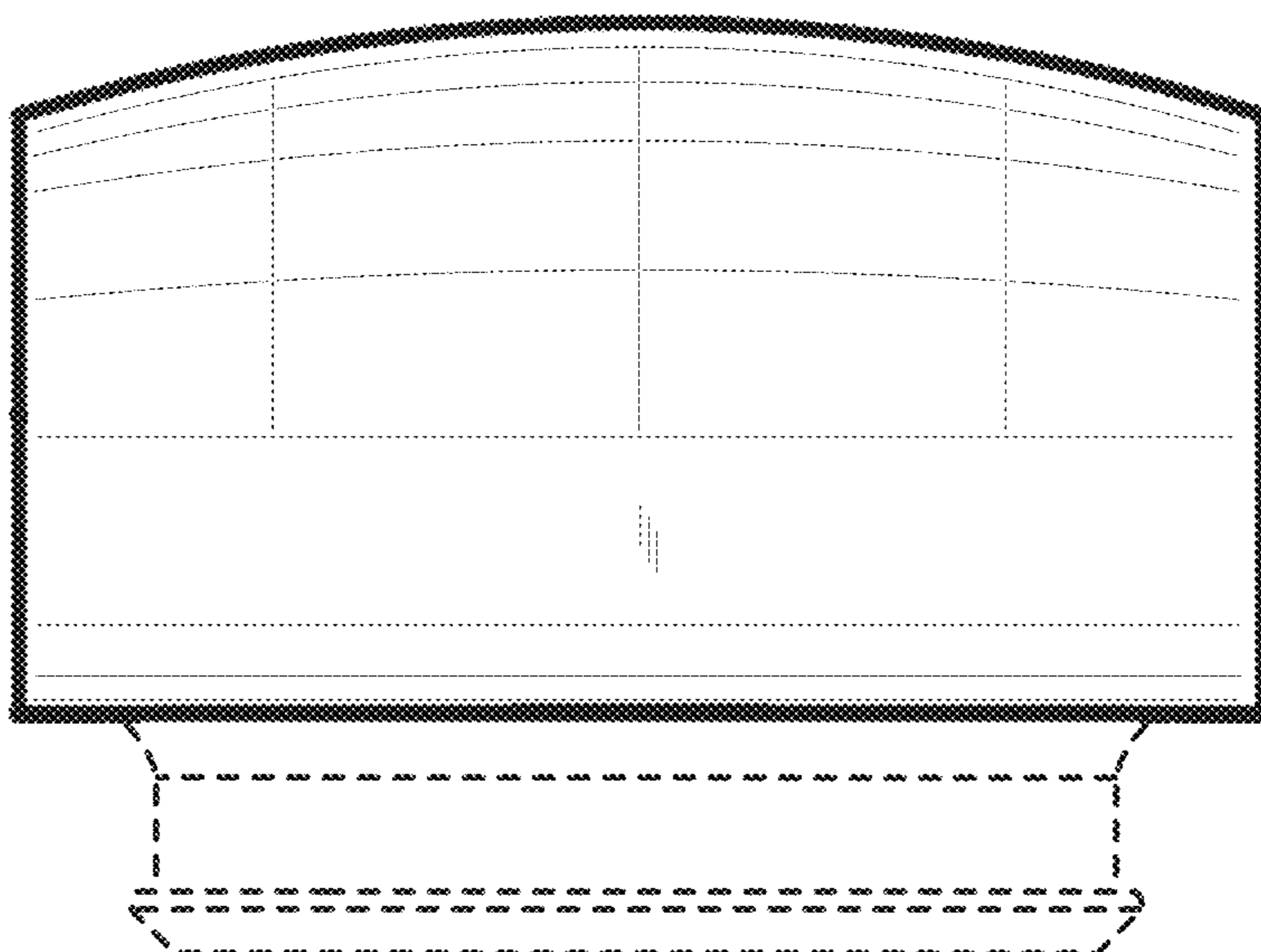


FIG. 3

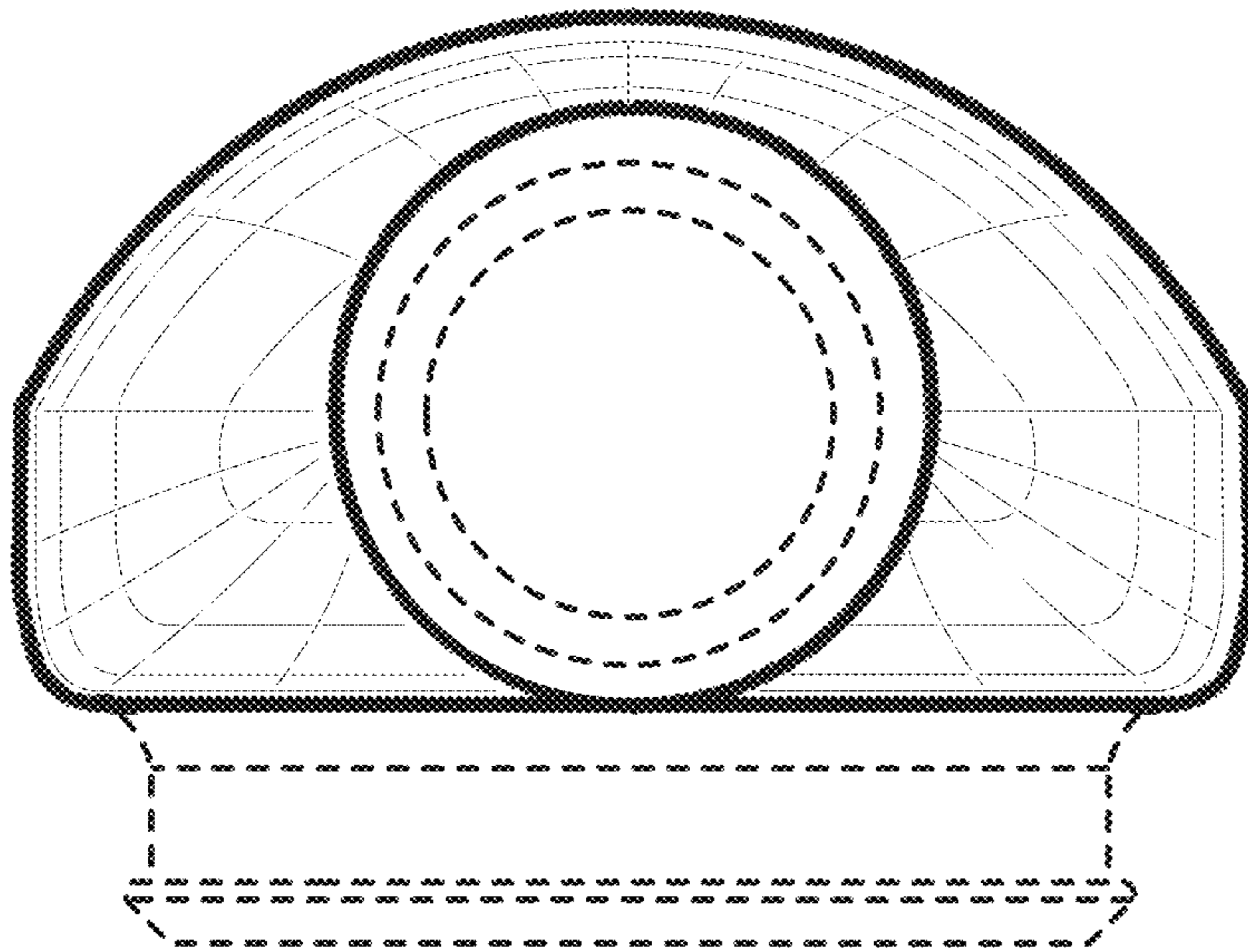


FIG. 4

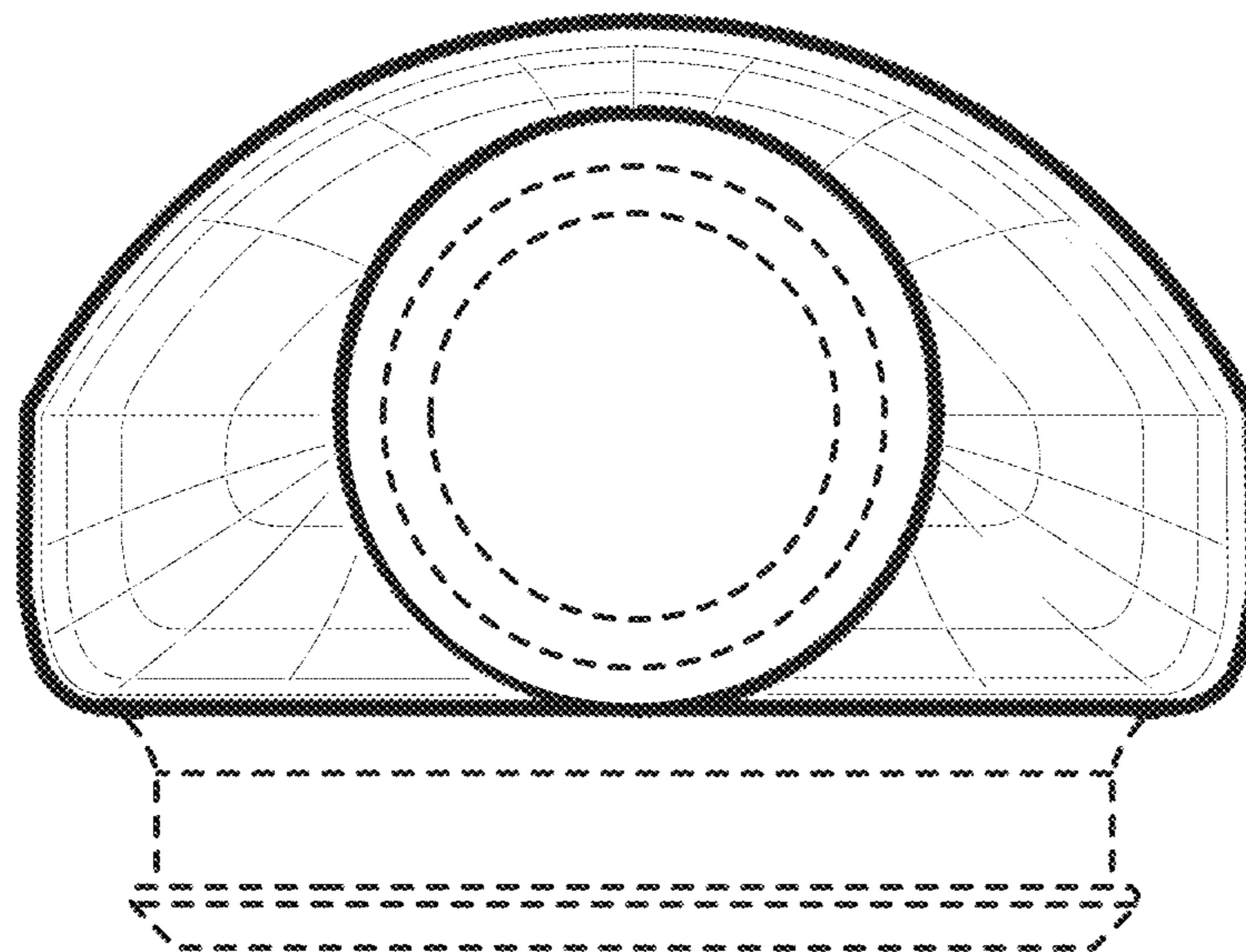


FIG. 5

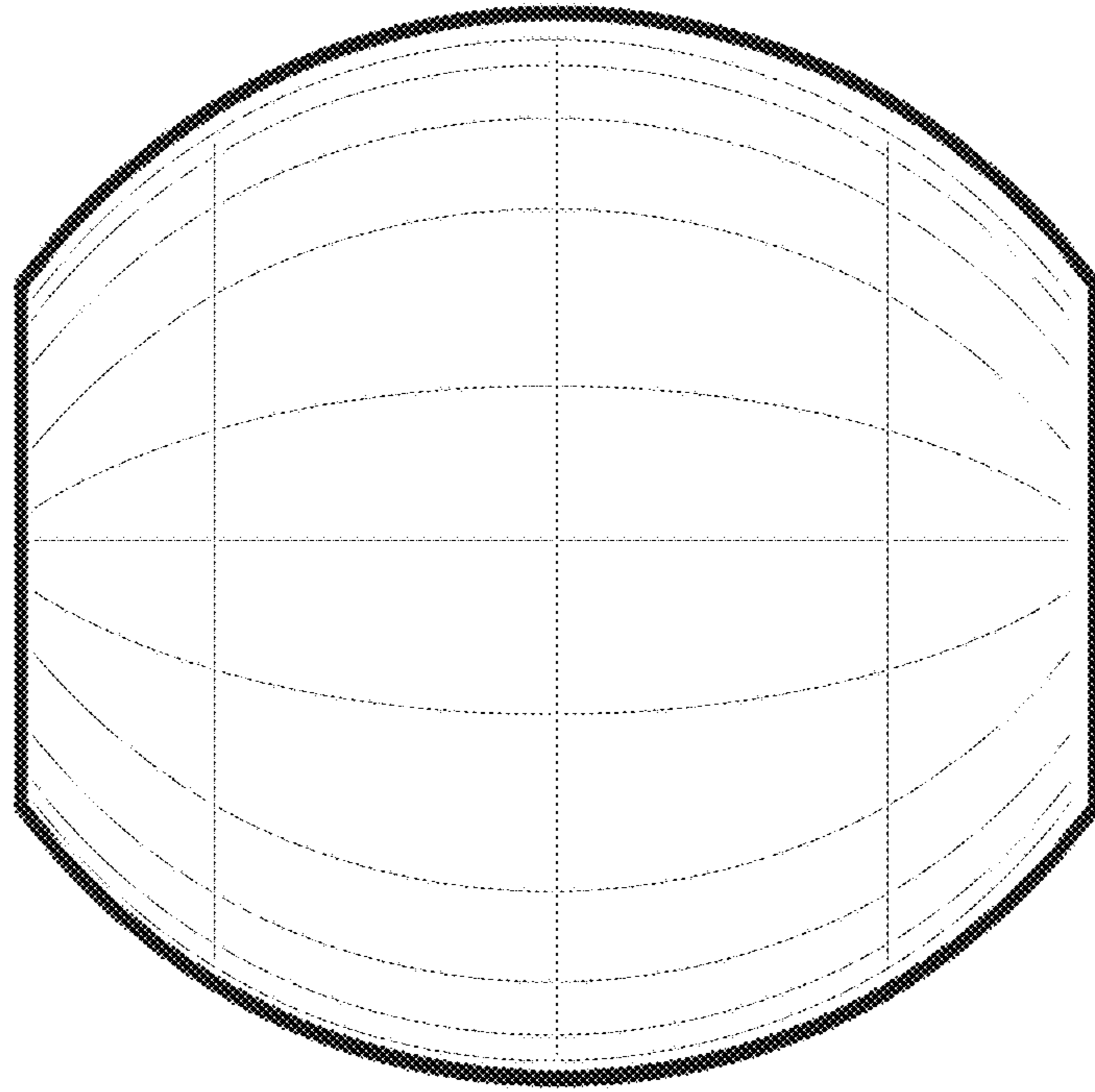


FIG. 6

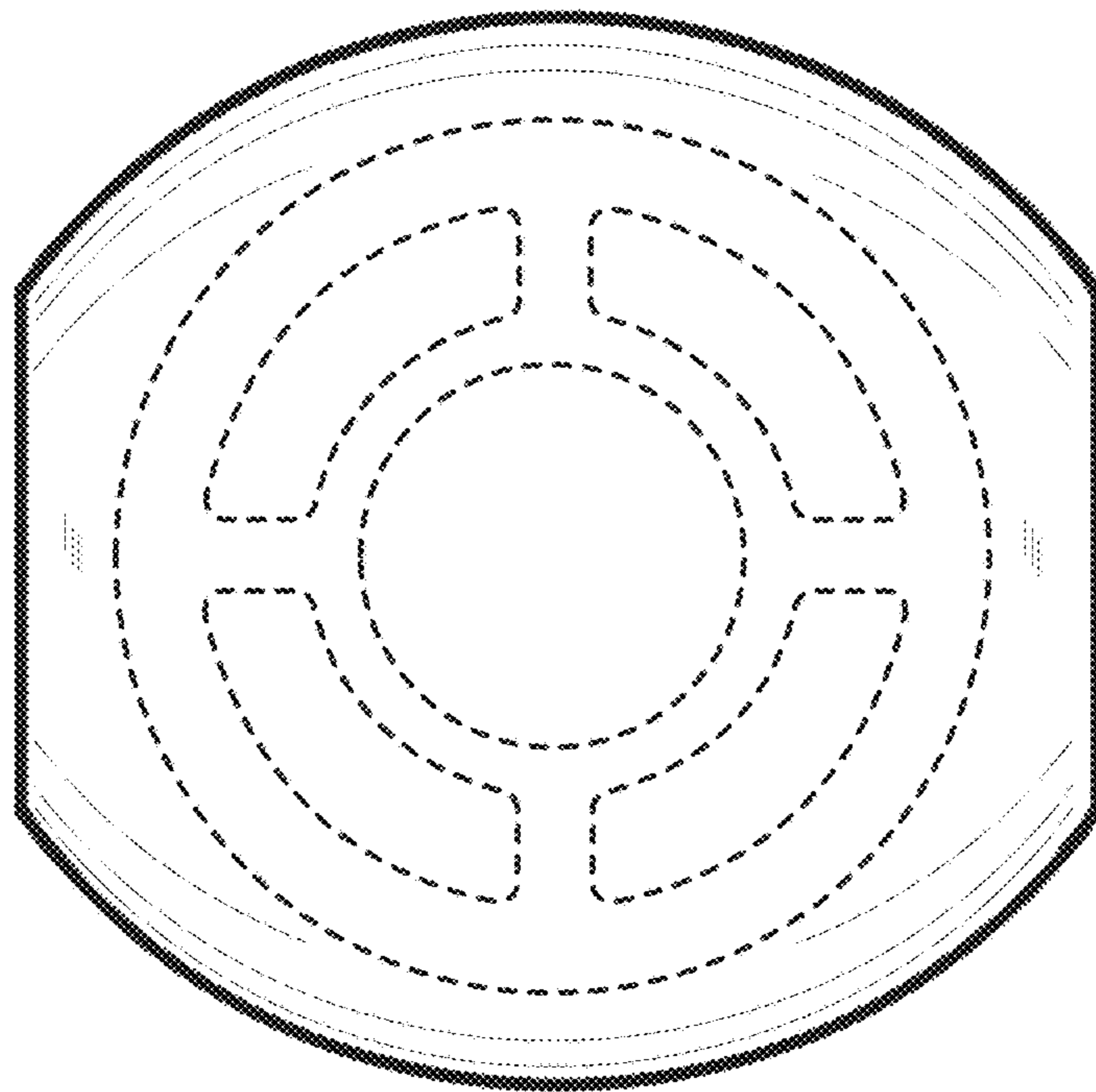


FIG. 7

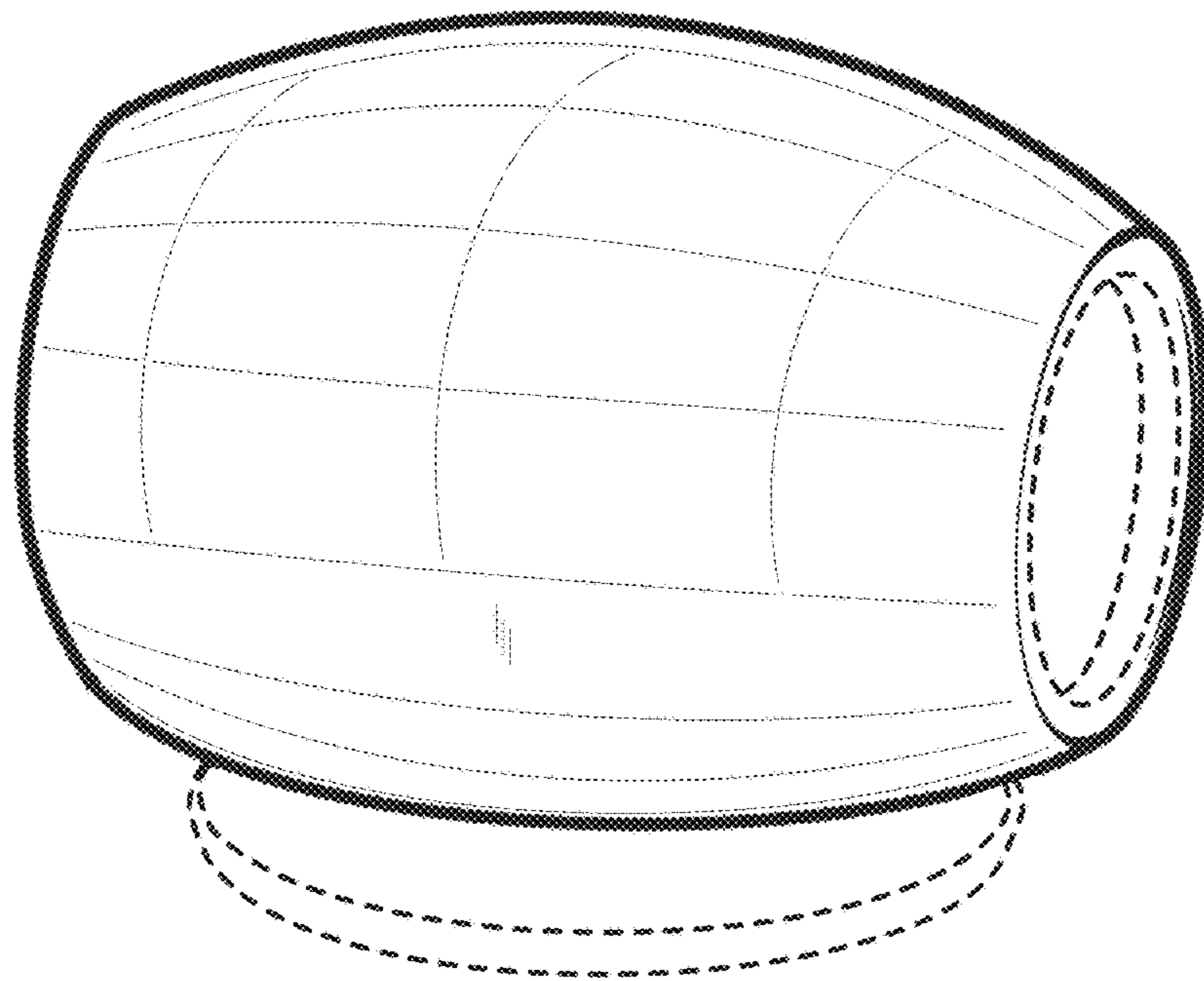


FIG. 8

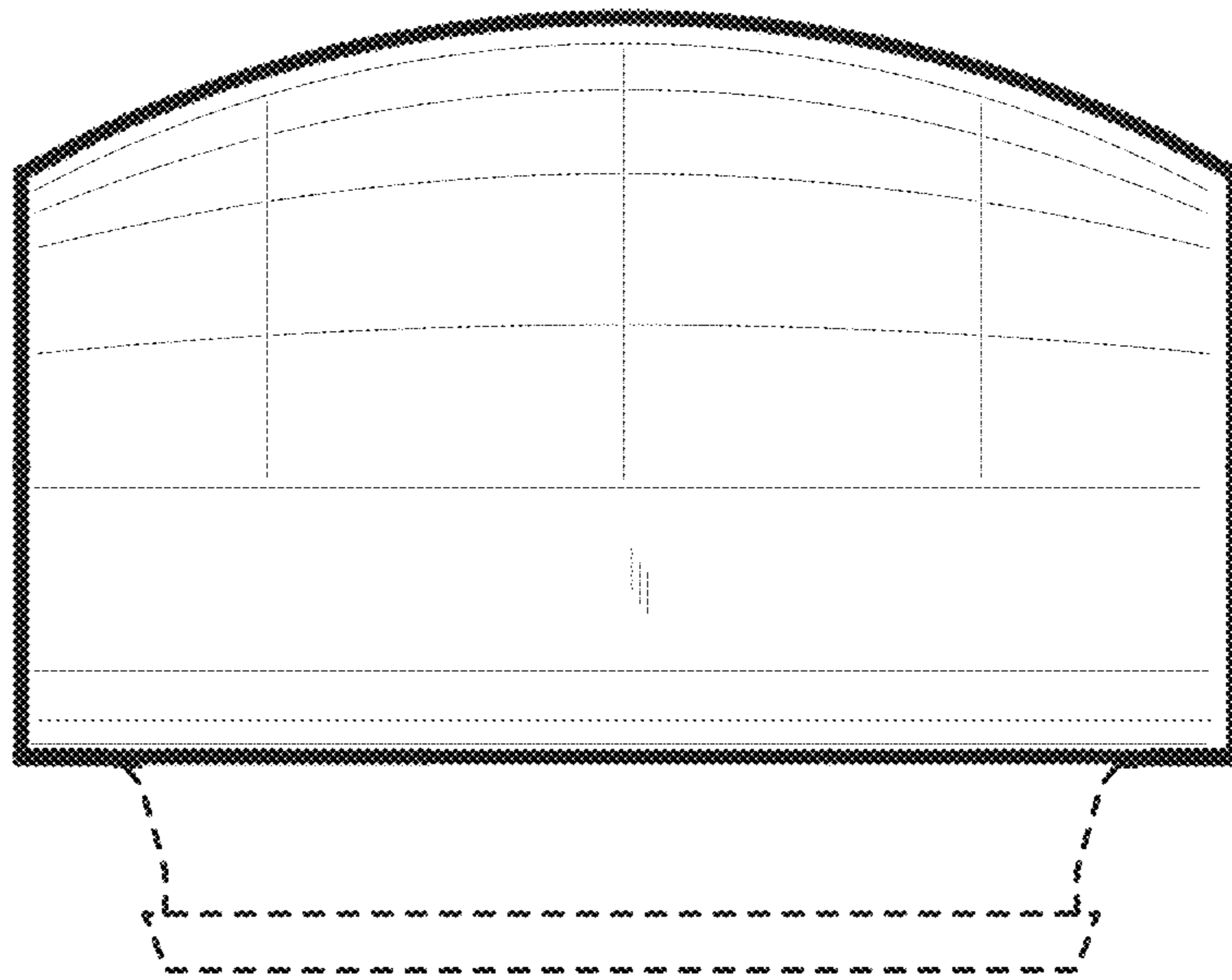


FIG. 9

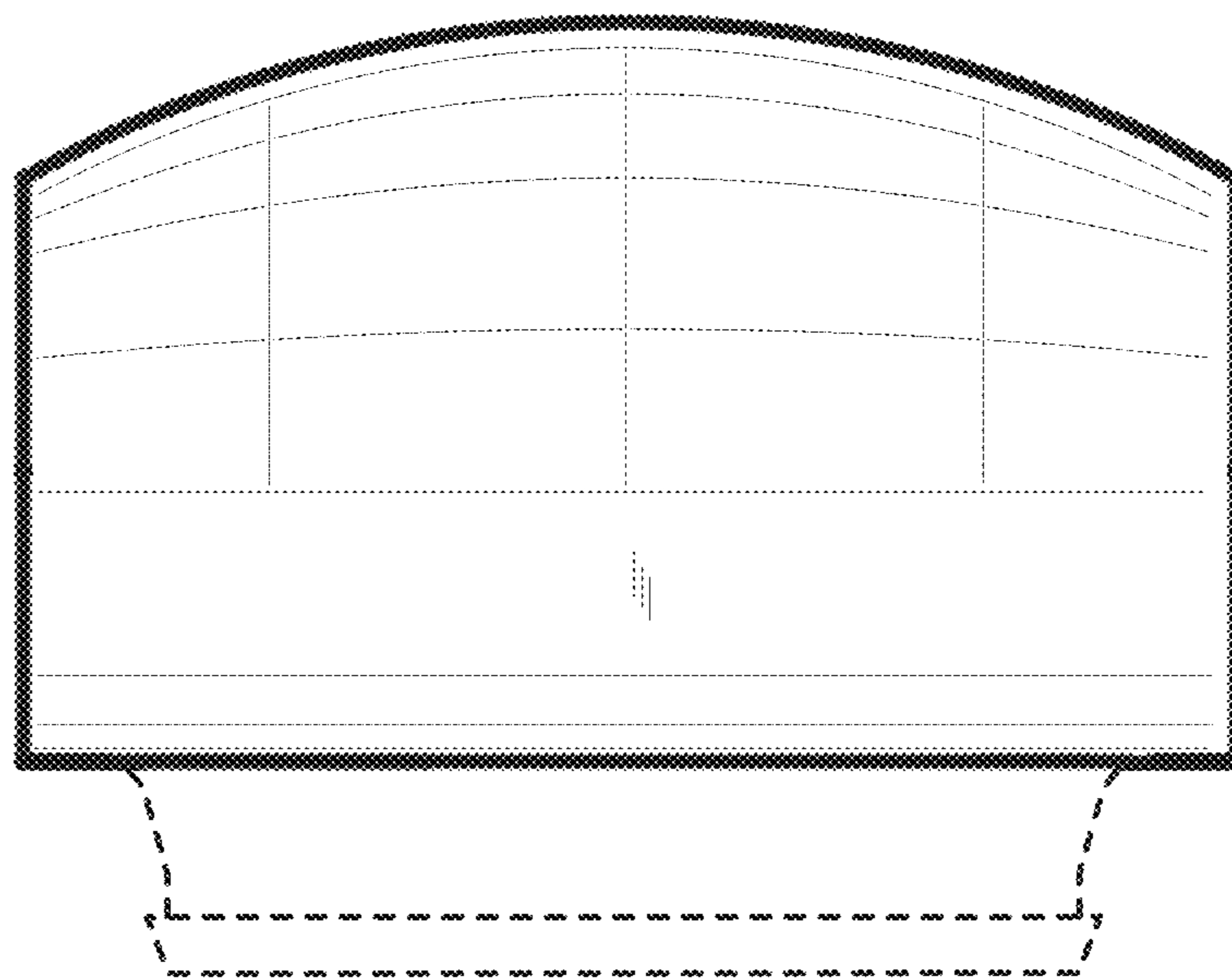


FIG. 10

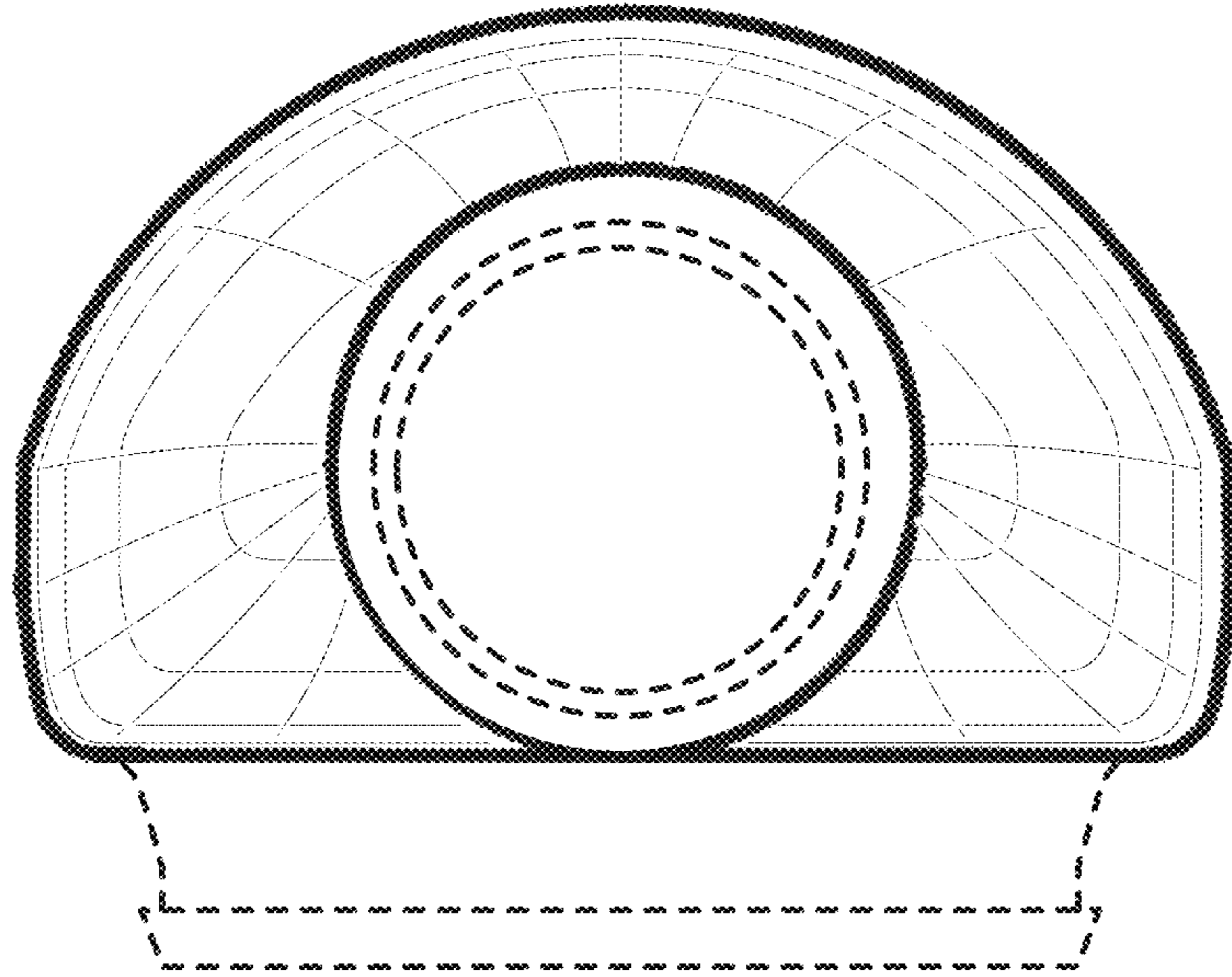


FIG. 11

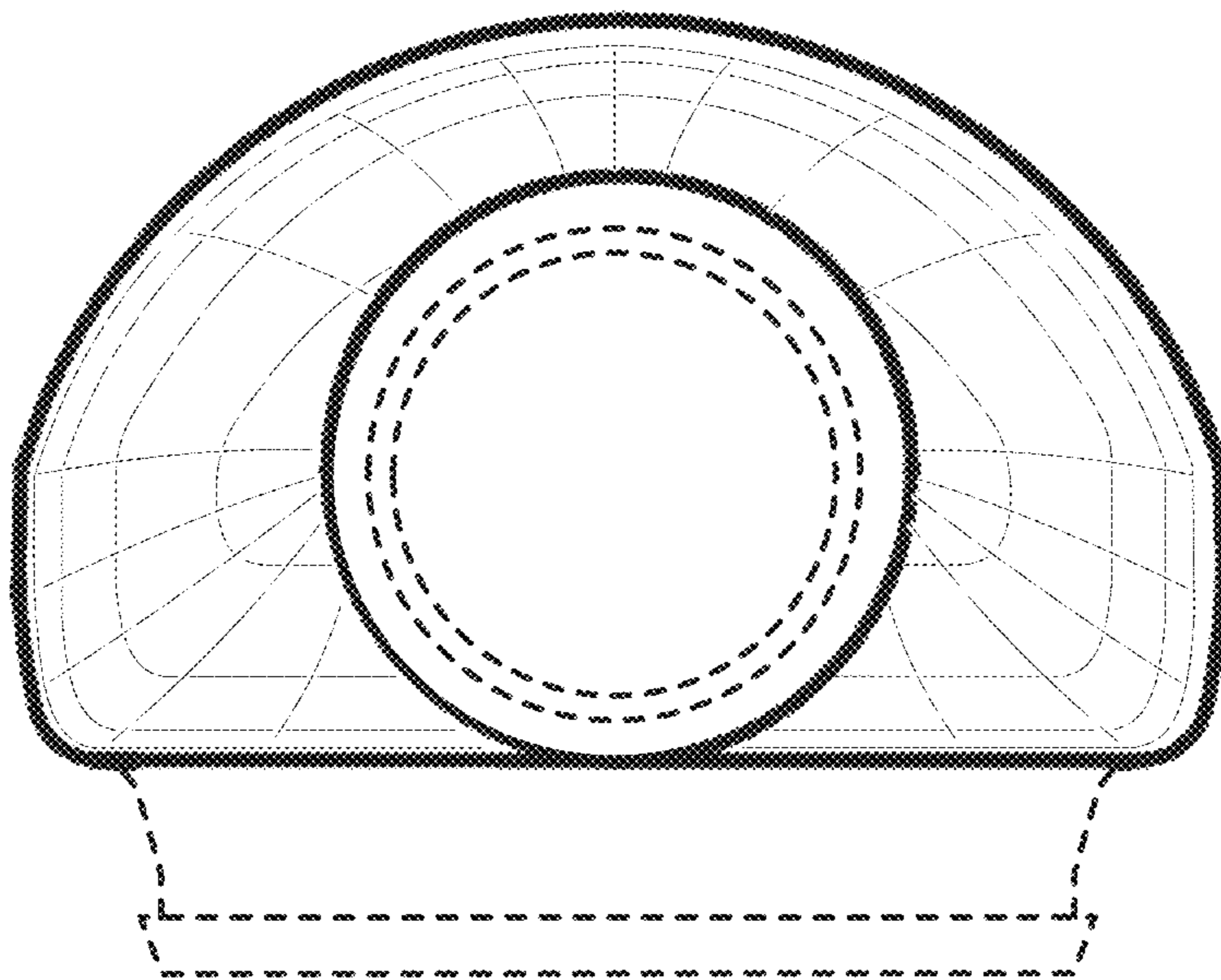


FIG. 12

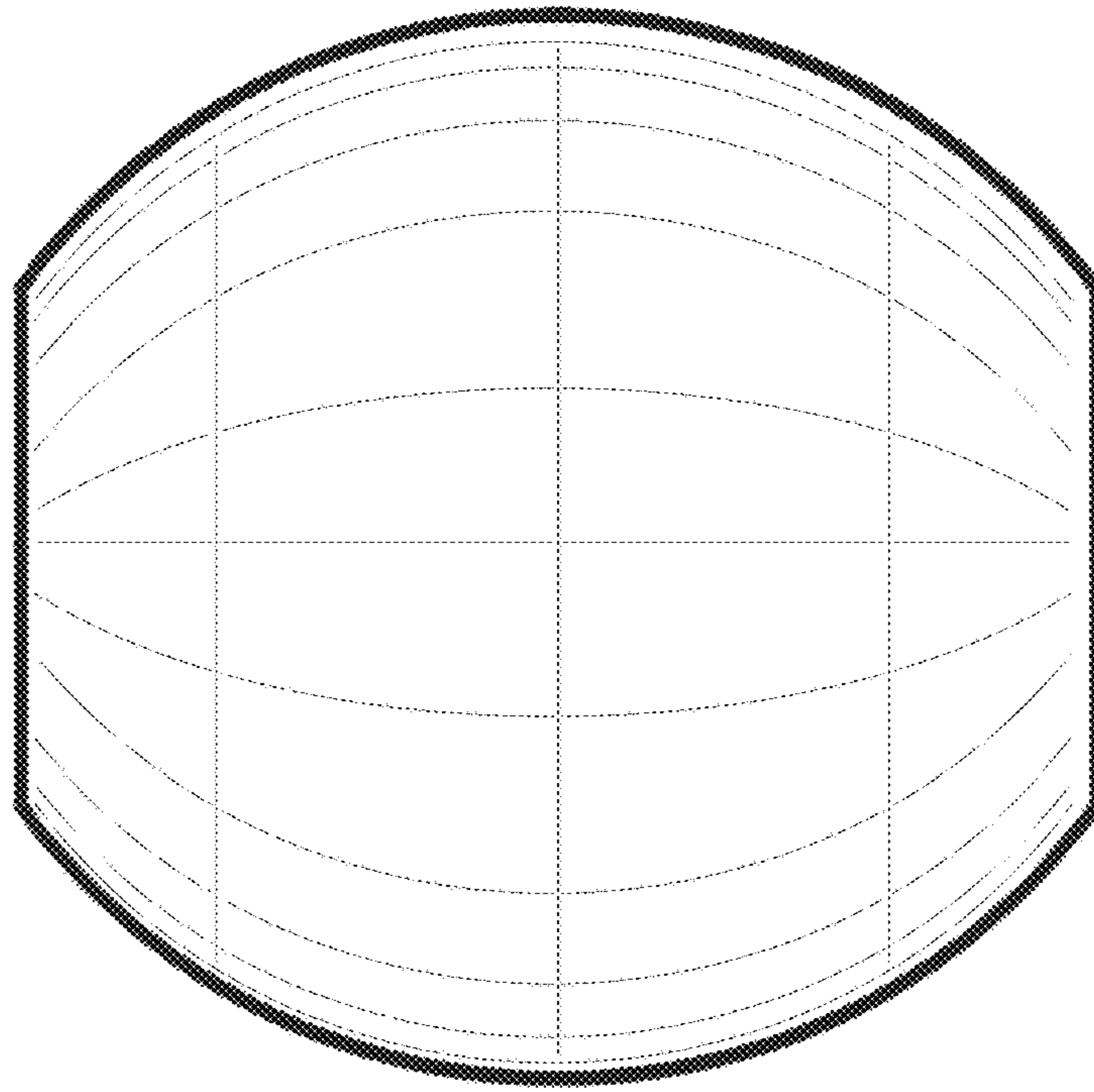


FIG. 13

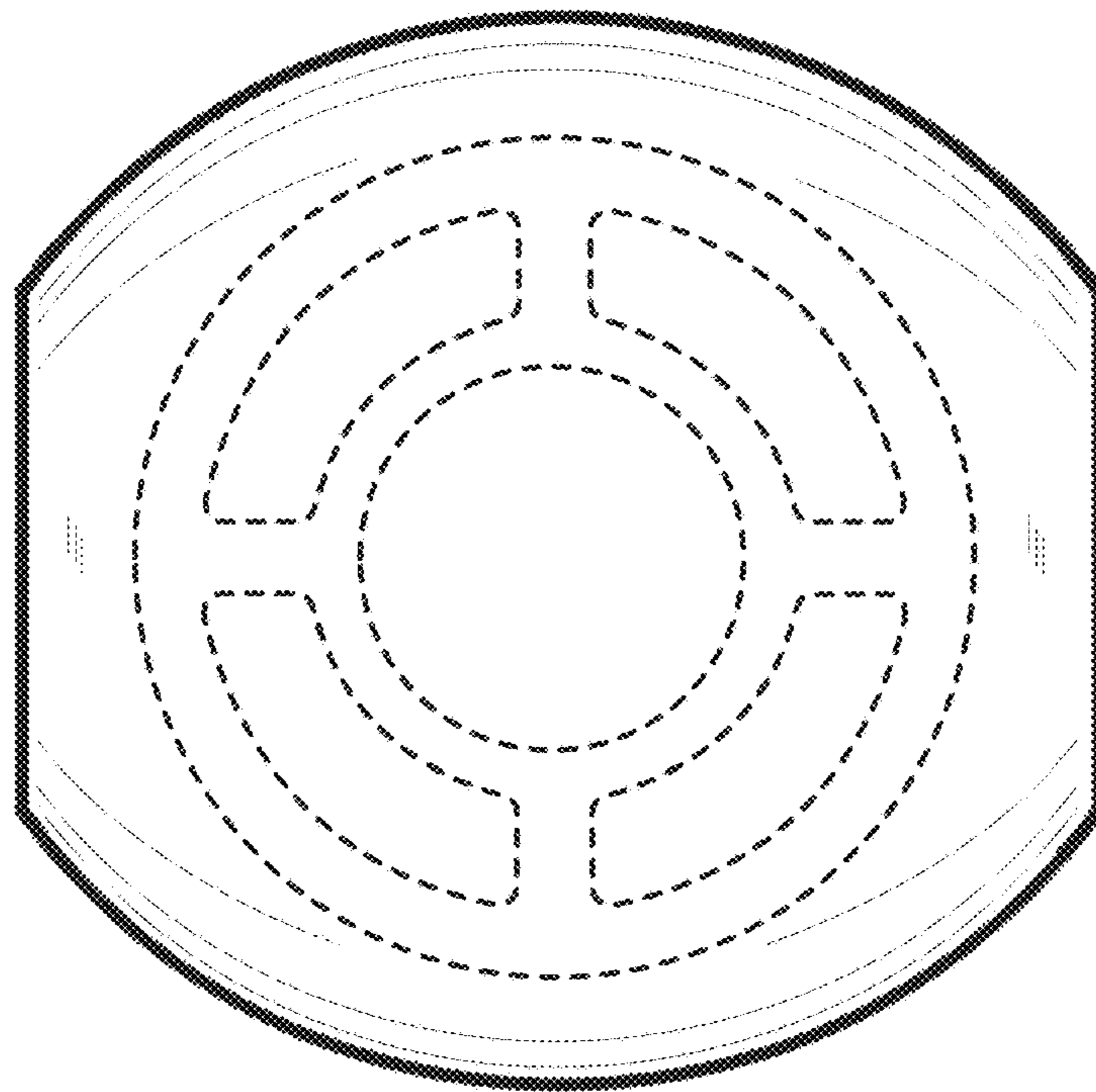


FIG. 14

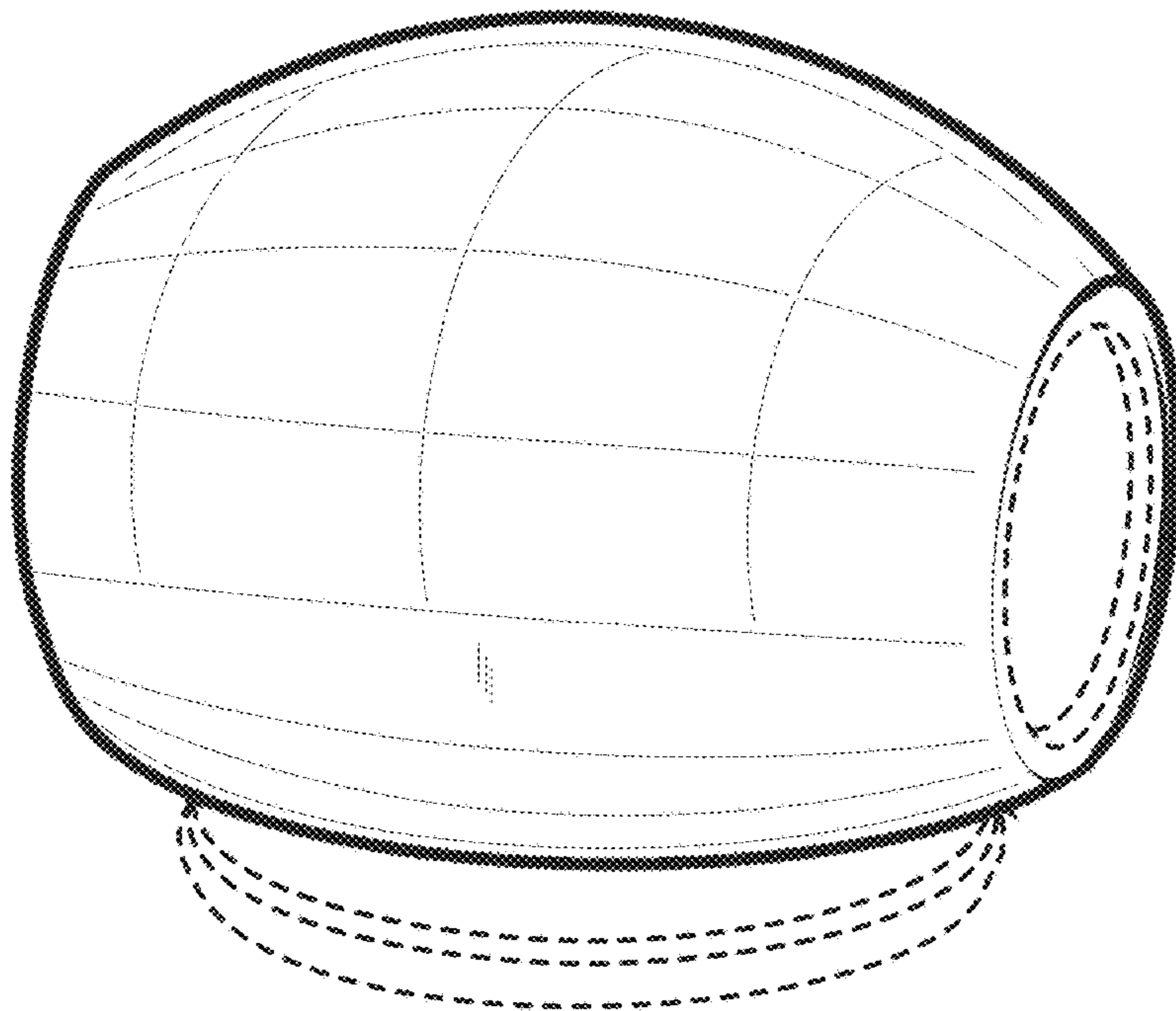


FIG. 15

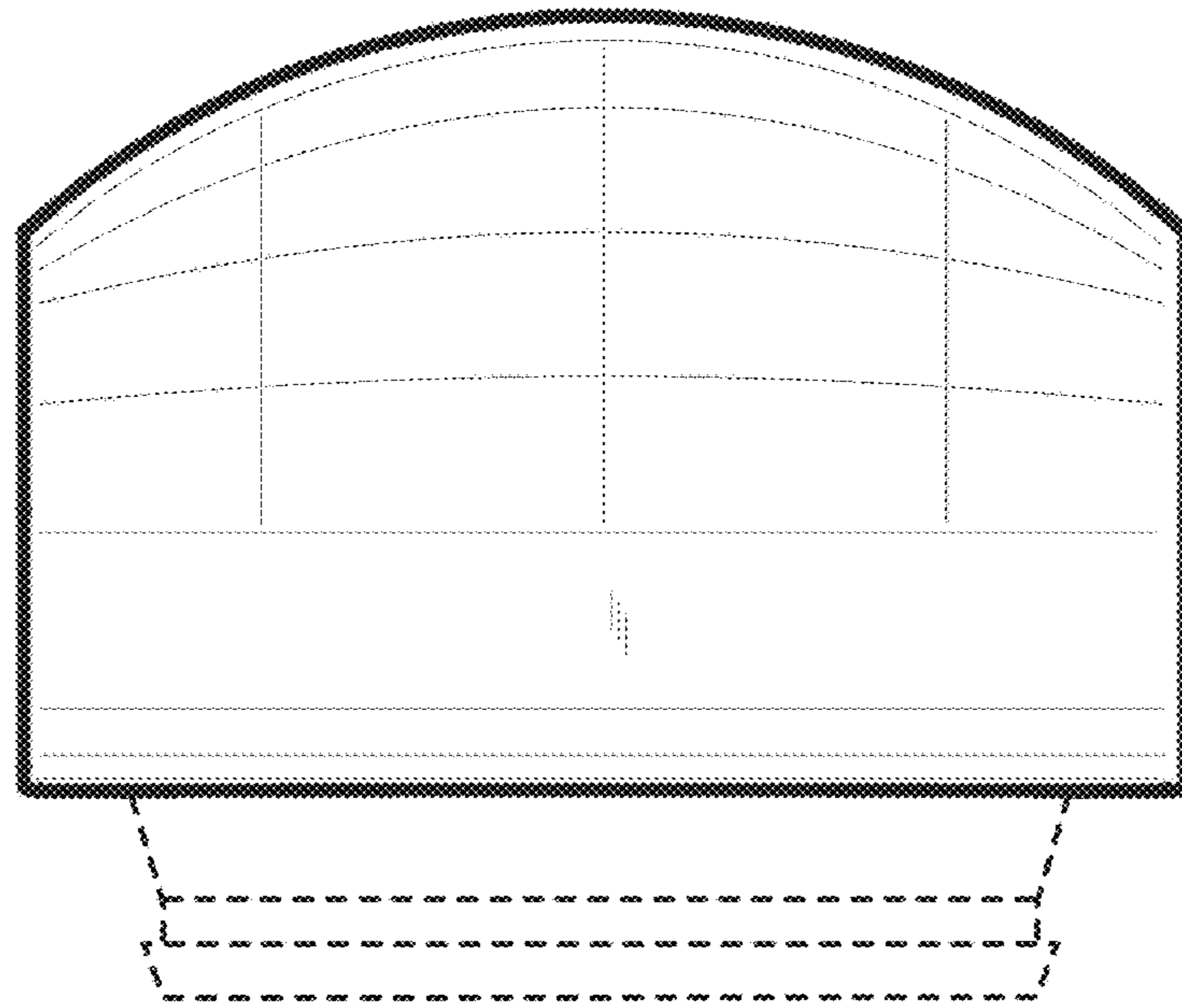


FIG. 16

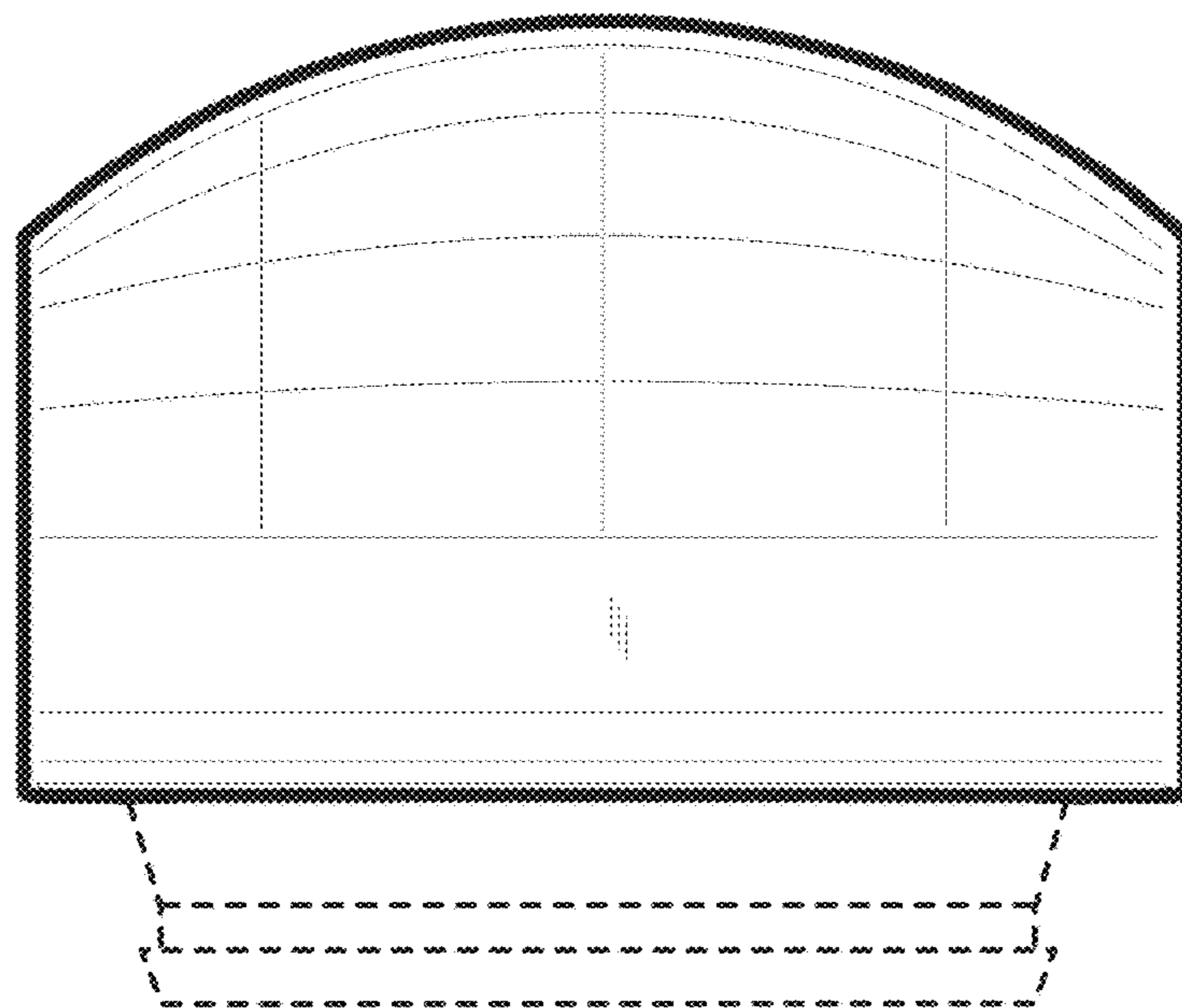


FIG. 17

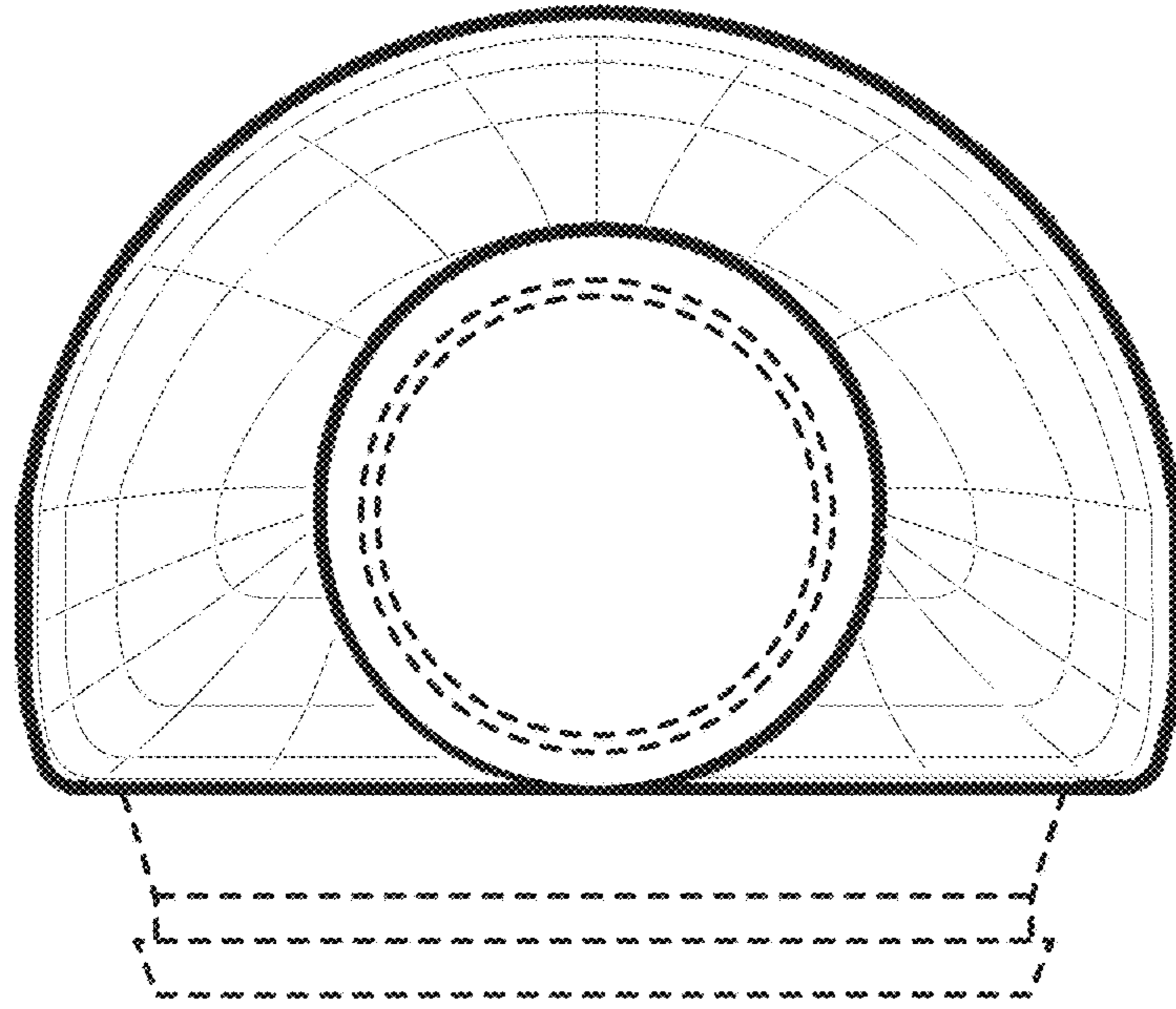


FIG. 18

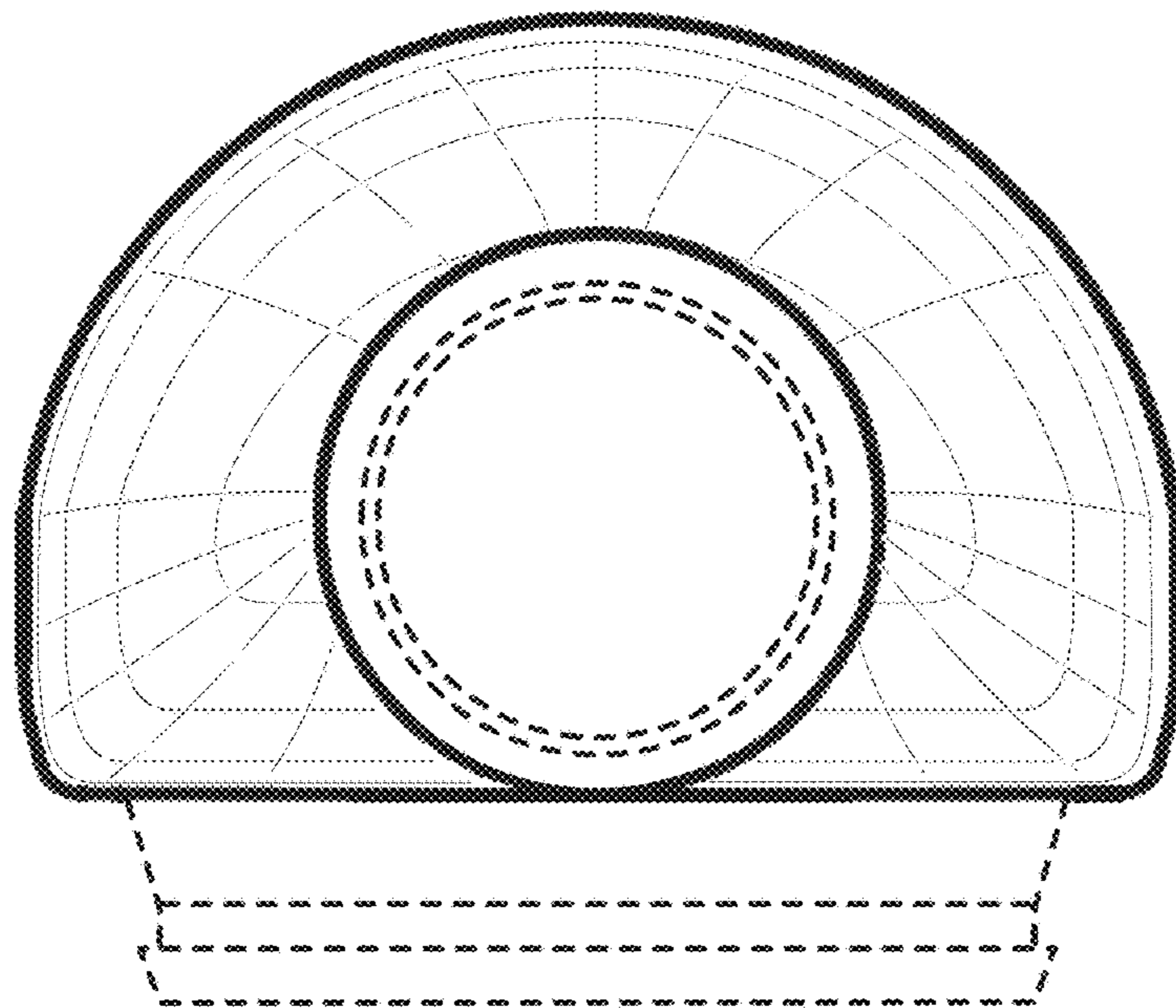


FIG. 19

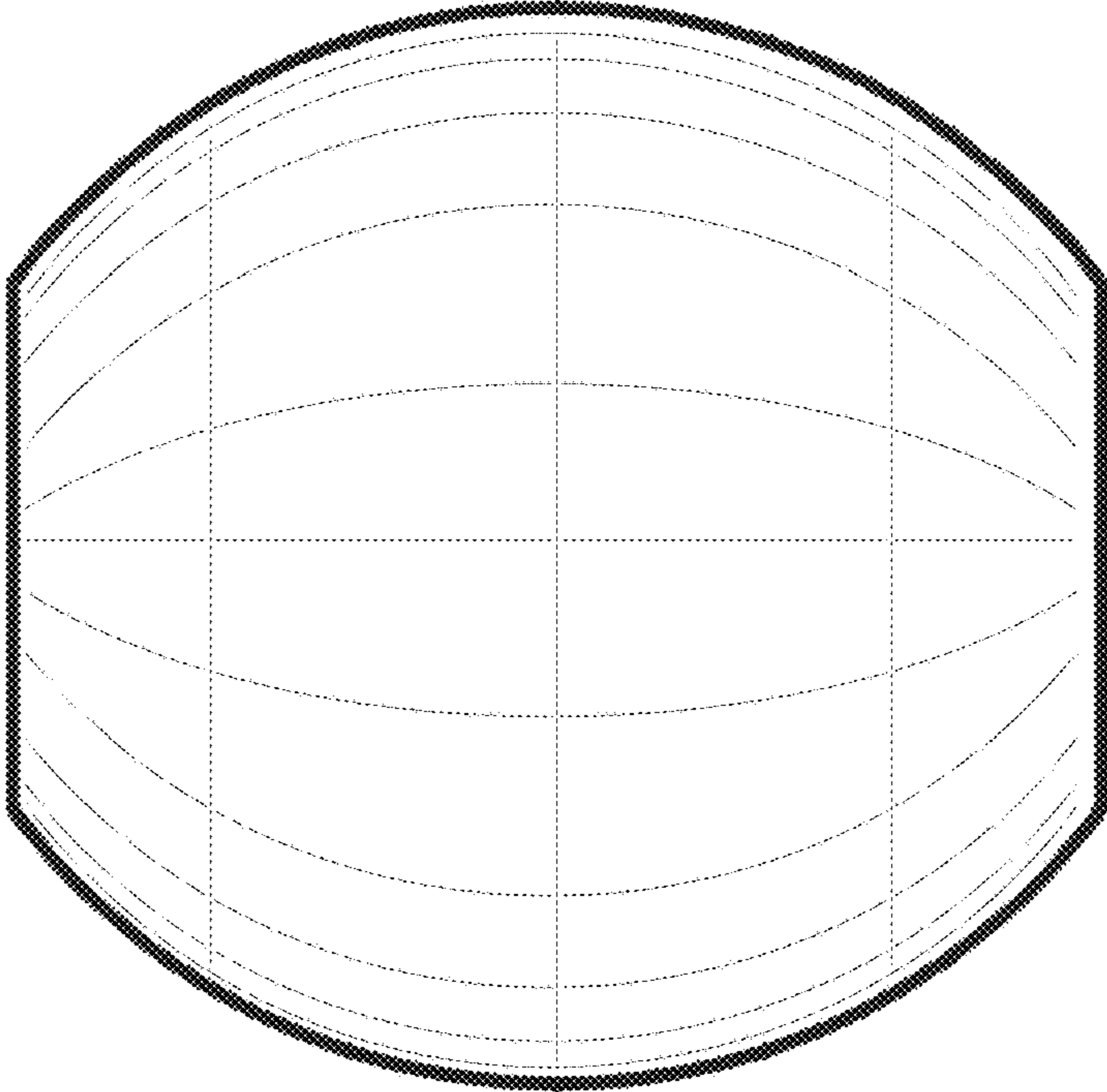


FIG. 20

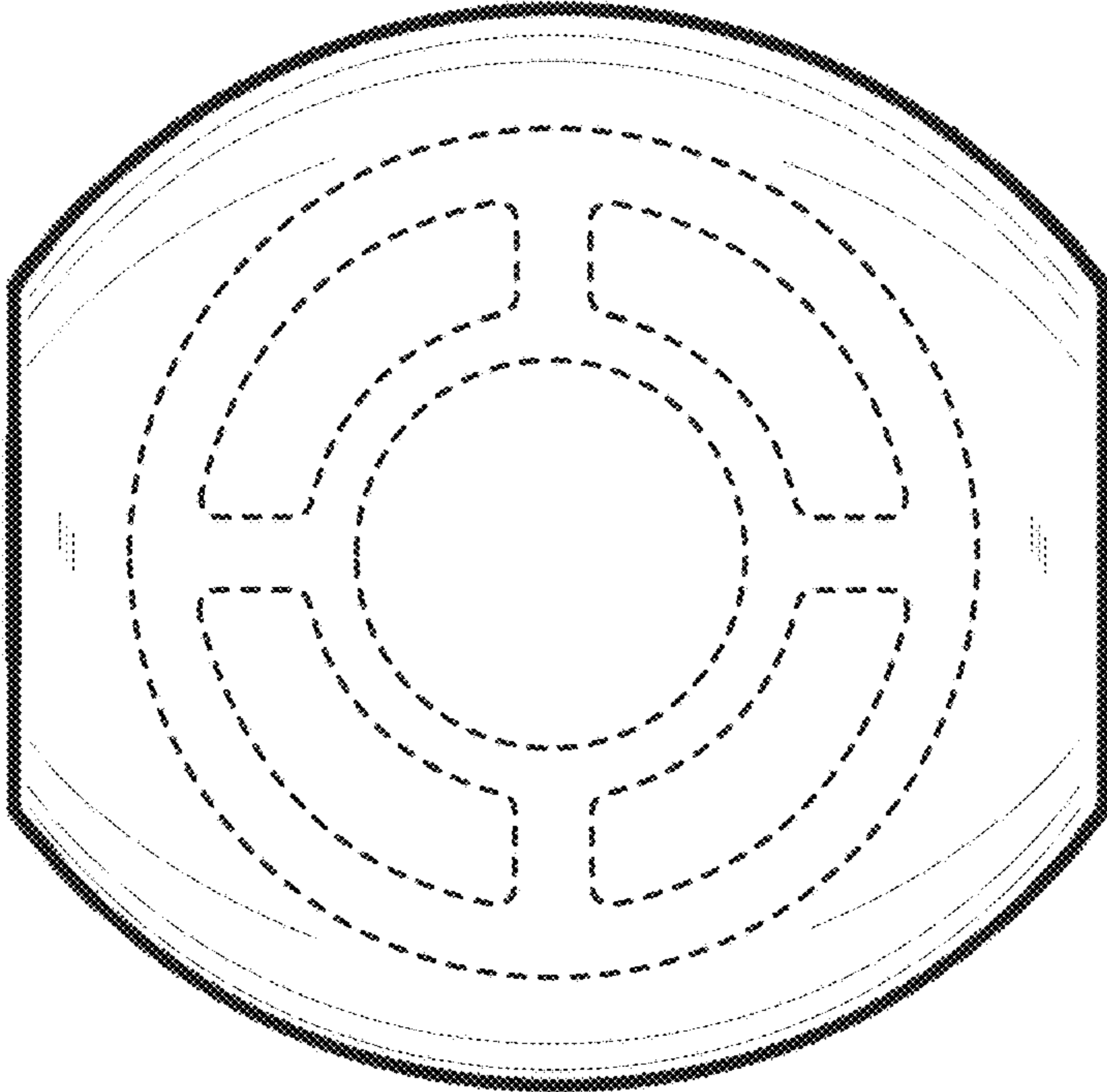


FIG. 21