



US00D868234S

(12) **United States Design Patent** (10) **Patent No.:** **US D868,234 S**
Lee (45) **Date of Patent:** **** Nov. 26, 2019**

(54) **AROMA DIFFUSER**

(71) Applicant: **Bloomy Lotus Ltd**, Hong Kong (HK)

(72) Inventor: **Leander Lee**, Hong Kong (HK)

(73) Assignee: **Bloomy Lotus Ltd**, Hong Kong (HK)

(**) Term: **15 Years**

(21) Appl. No.: **29/656,512**

(22) Filed: **Jul. 13, 2018**

(30) **Foreign Application Priority Data**

Jun. 1, 2018 (HK) 1801079.7M002

(51) **LOC (12) Cl.** **23-04**

(52) **U.S. Cl.**
USPC **D23/366**

(58) **Field of Classification Search**
USPC D23/208, 355-369, 393; D14/209.1,
D14/212-213; D8/1, 391
CPC A61L 9/02; A61L 9/03; A61L 9/12; A61L
9/035; A61L 9/125; A61L 2209/15; A61L
2209/16
See application file for complete search history.

(56) **References Cited**

U.S. PATENT DOCUMENTS

D511,084 S * 11/2005 Georgopoulos D8/323
D806,222 S * 12/2017 Gobber D23/366

OTHER PUBLICATIONS

Amazon.com, Car Air Freshener Car Perfume Vehicle Air Vent,
reviewed Sep. 2018, online product page retrieved Jul. 26, 2019

from <URL:https://www.amazon.com/Freshener-Adjustable-Aluminum-Fragrance-Diffuser/dp/B07DW3DSKW/> (Year: 2018).*
Amazon.com, Automecar Car Air Freshener Vent Clip accessories,
reviewed Aug. 2018, online product page retrieved Jul. 26, 2019
from <URL: https://www.amazon.com/Automecar-Freshener-Accessories-Purifier-Magnolia/dp/B07F9HHSY2> (Year: 2018).*
tvc-mall.com, Joyroom CY146 Car Air Vent Perfume Clip Air
Freshener, 2019, online product page retrieved Jul. 26, 2019 from
<URL:https://www.tvc-mall.com/details/joyroom-cy146-car-air-vent-perfunne-clip-air-freshener-fragrant-bar-silver-sku81080178b.html> (Year: 2019).*

* cited by examiner

Primary Examiner — Sheryl Lane
Assistant Examiner — Calvin E Vasant

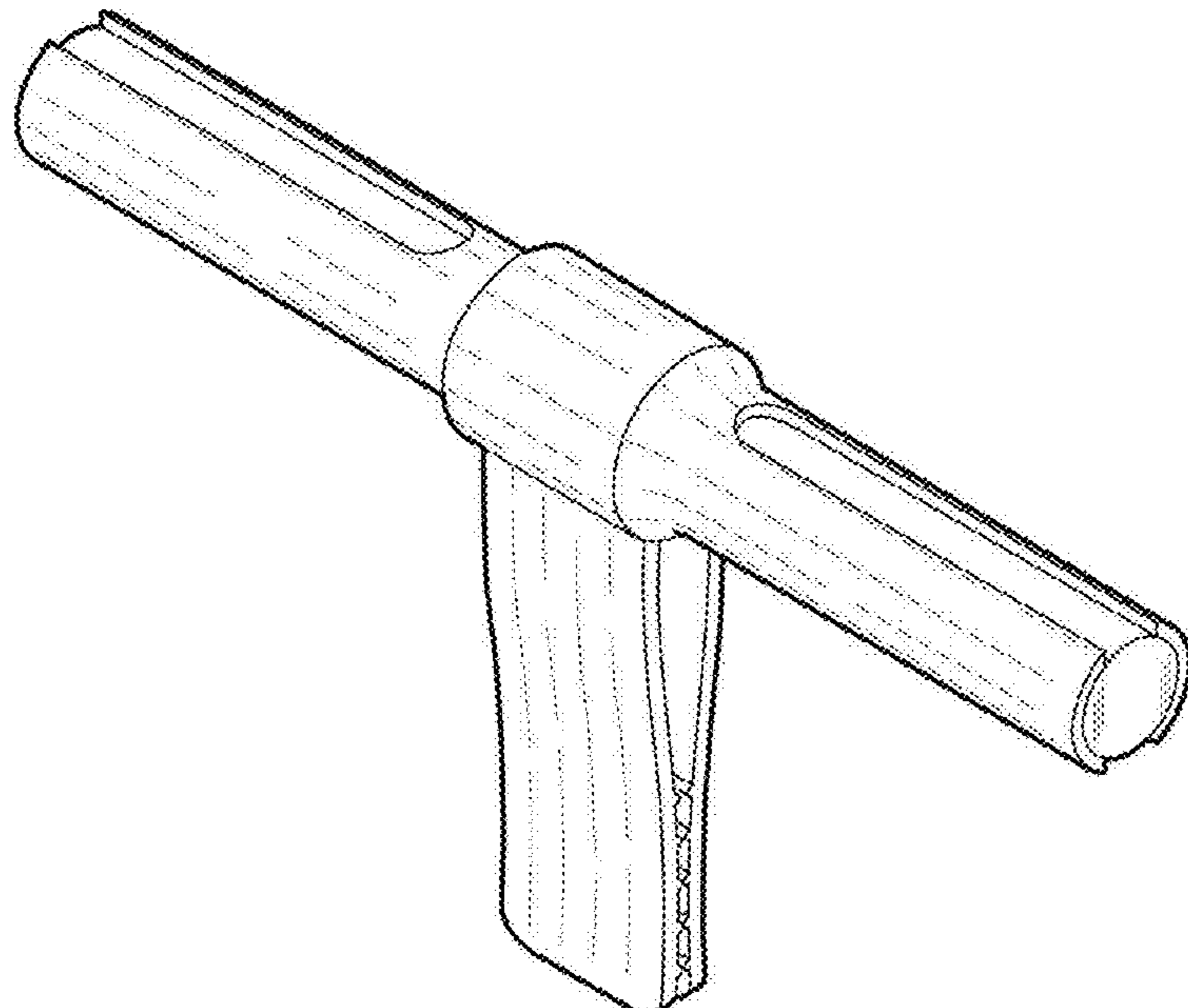
(57) **CLAIM**

The ornamental design for an aroma diffuser, as shown and described.

DESCRIPTION

FIG. 1 is a front elevational view of an aroma diffuser showing my new design;
FIG. 2 is a rear elevational view thereof;
FIG. 3 is a left side view thereof;
FIG. 4 is a right side view thereof;
FIG. 5 is a top plan view thereof;
FIG. 6 is a bottom plan view thereof;
FIG. 7 is a top perspective view thereof; and,
FIG. 8 is a bottom perspective view thereof.

1 Claim, 8 Drawing Sheets



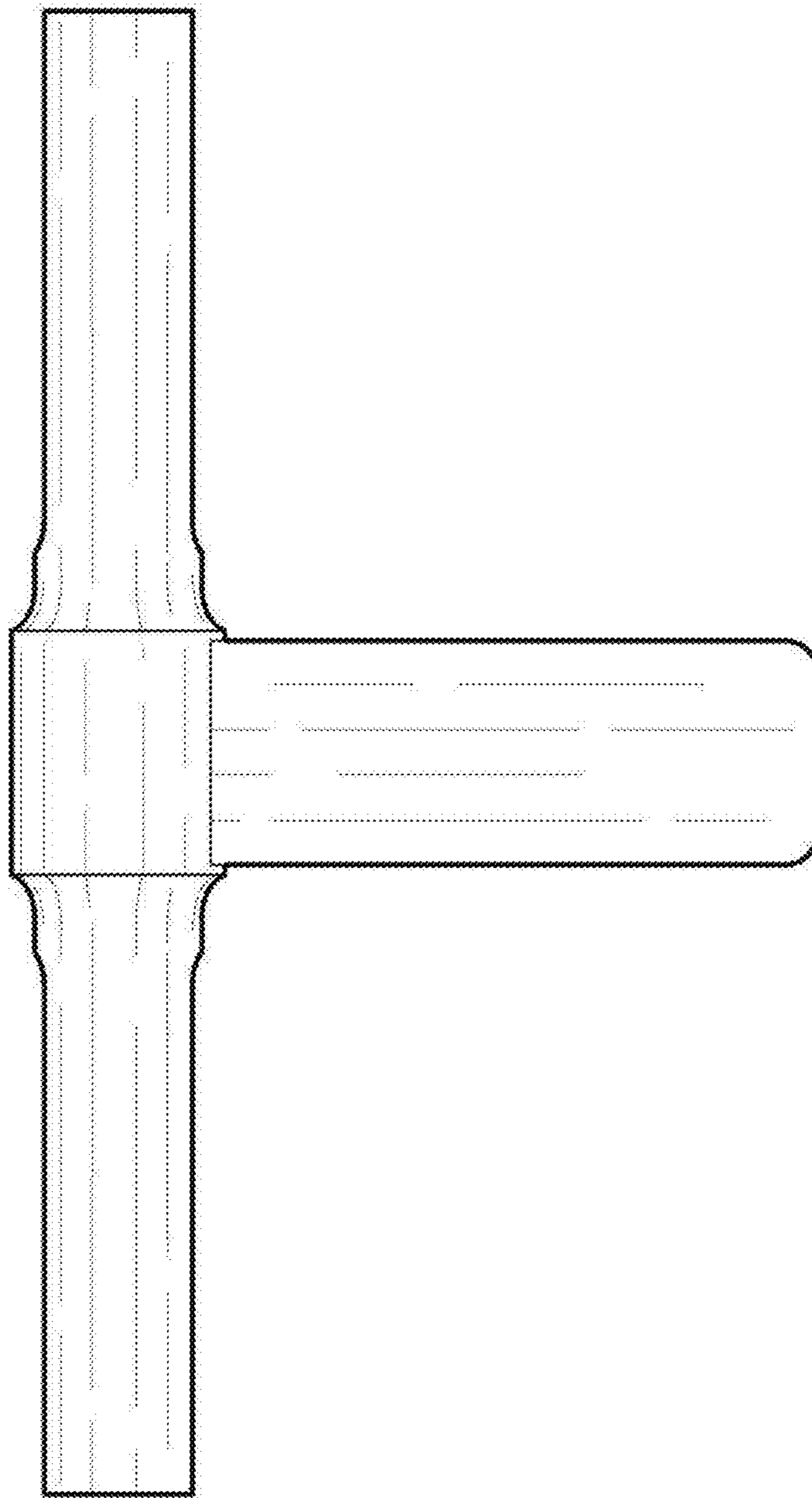


Fig. 1

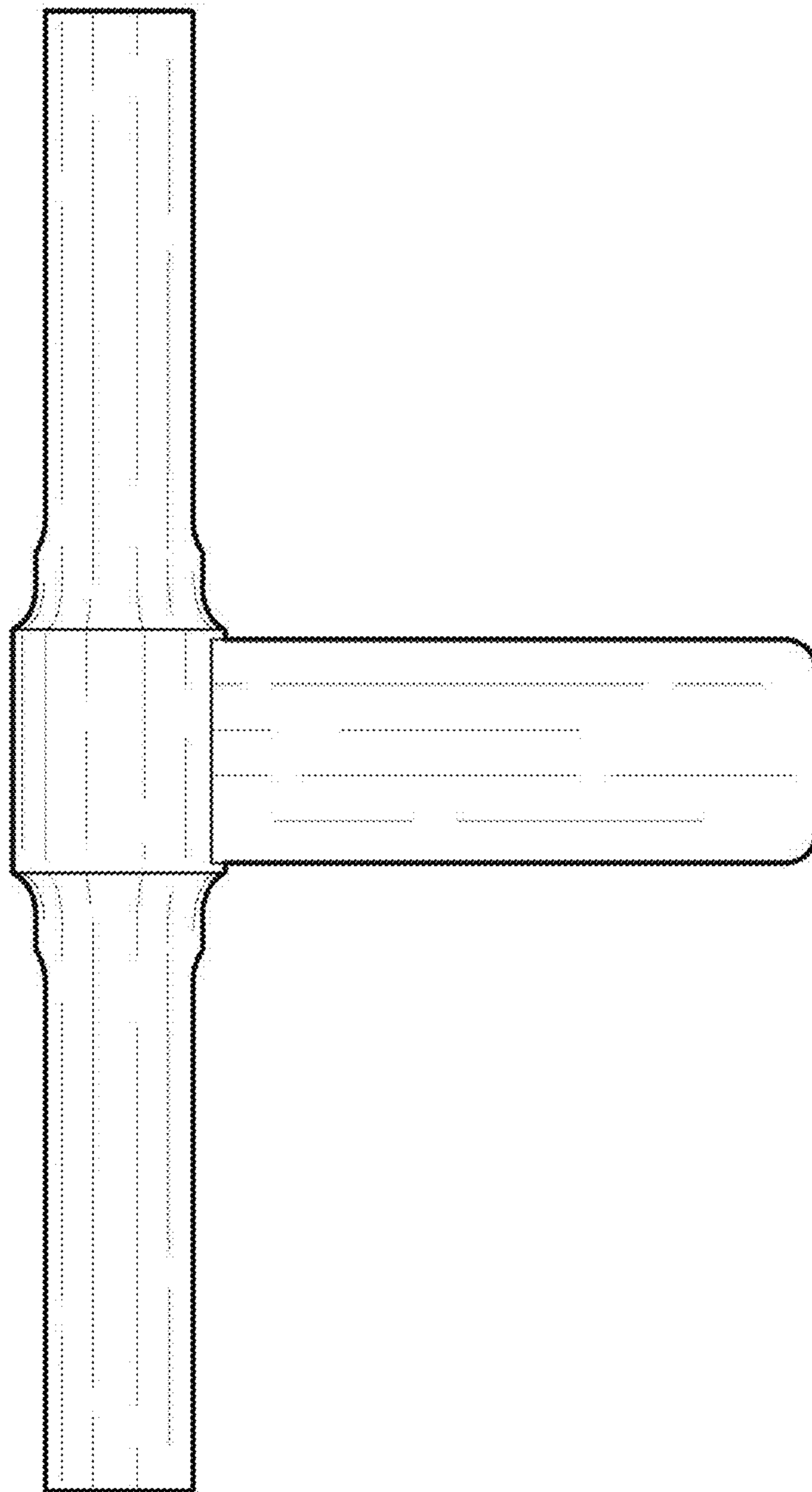


Fig. 2

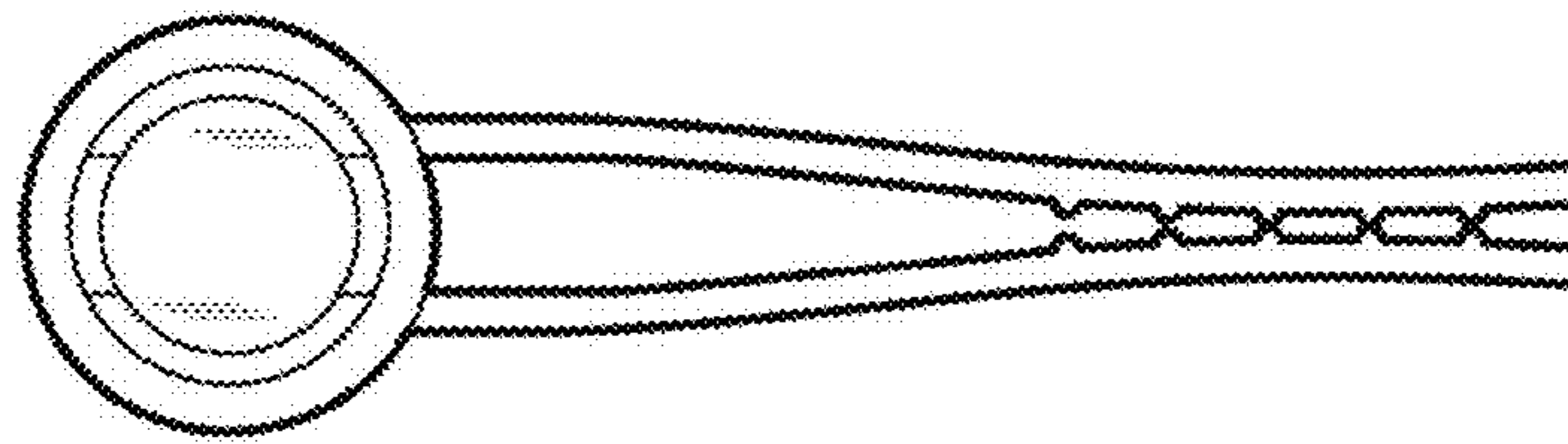


Fig. 3

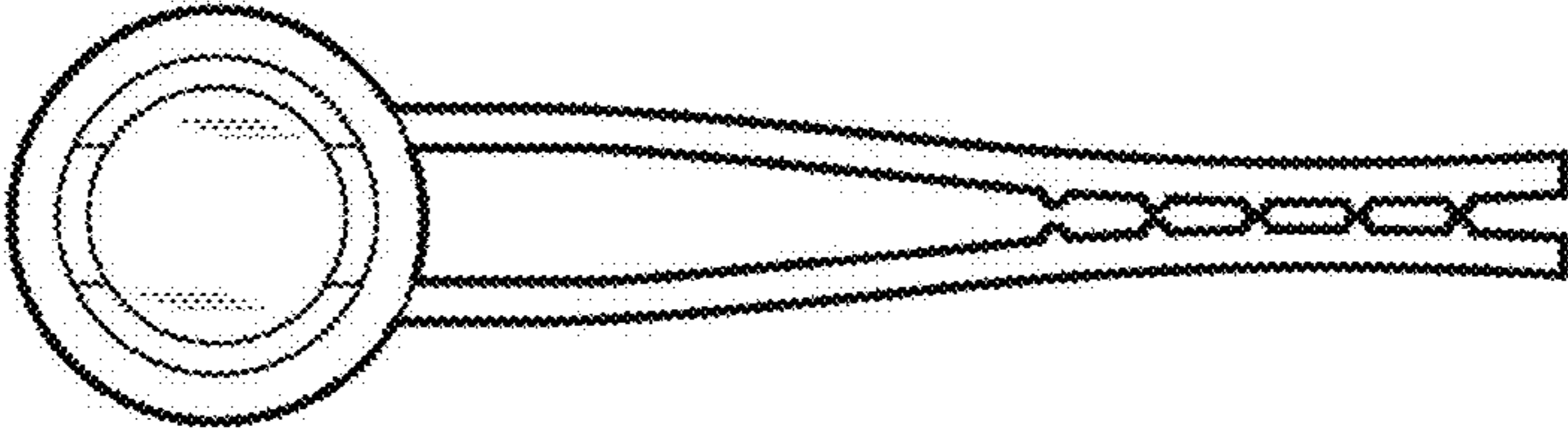


Fig. 4

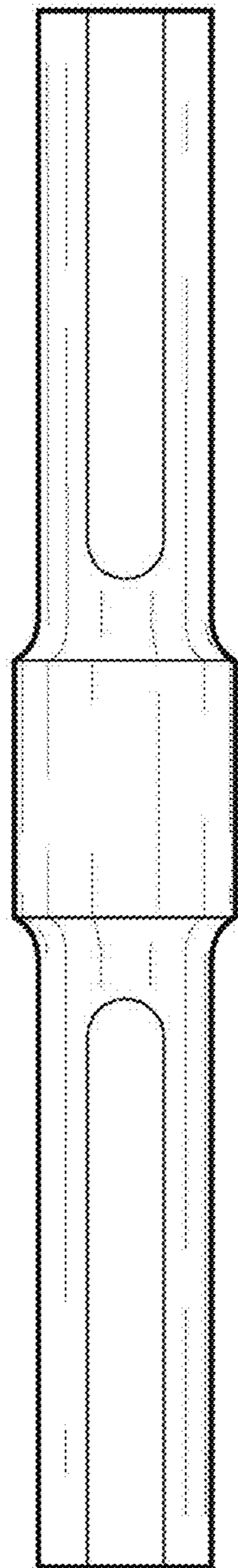


Fig. 5

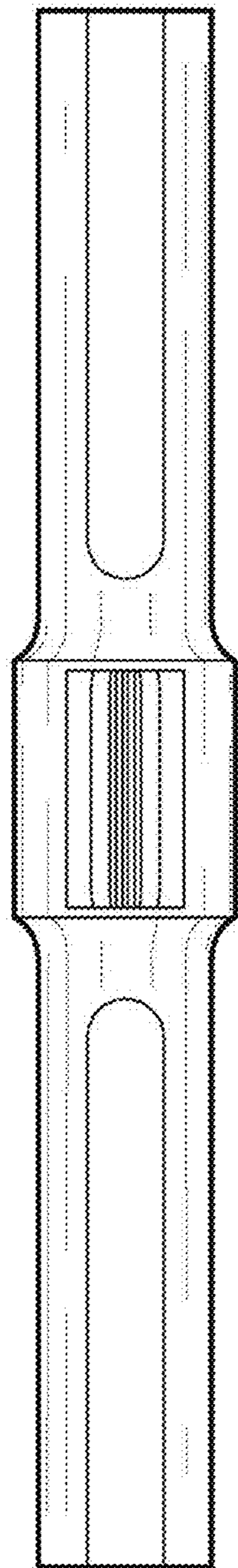


Fig. 6

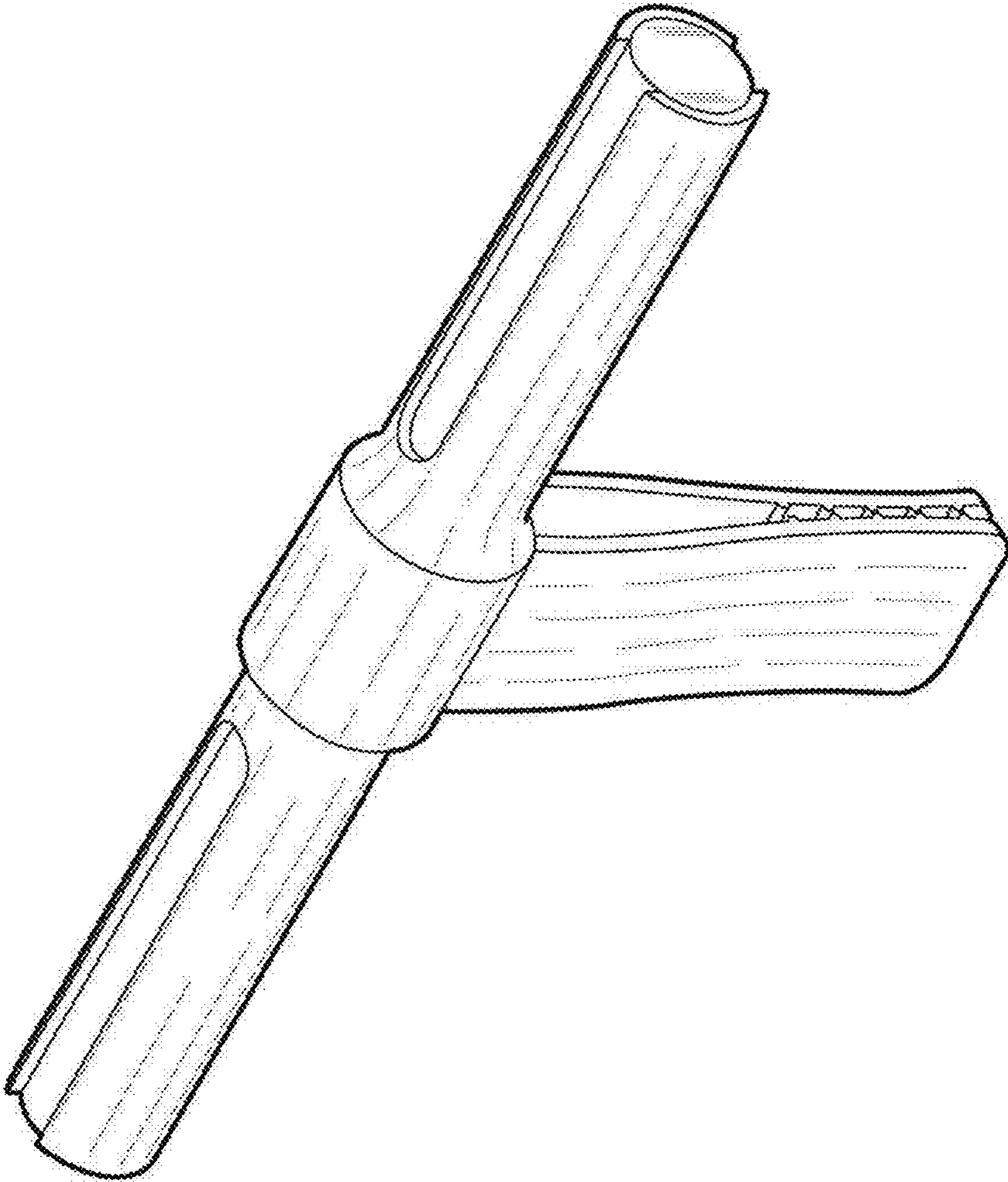


Fig. 7

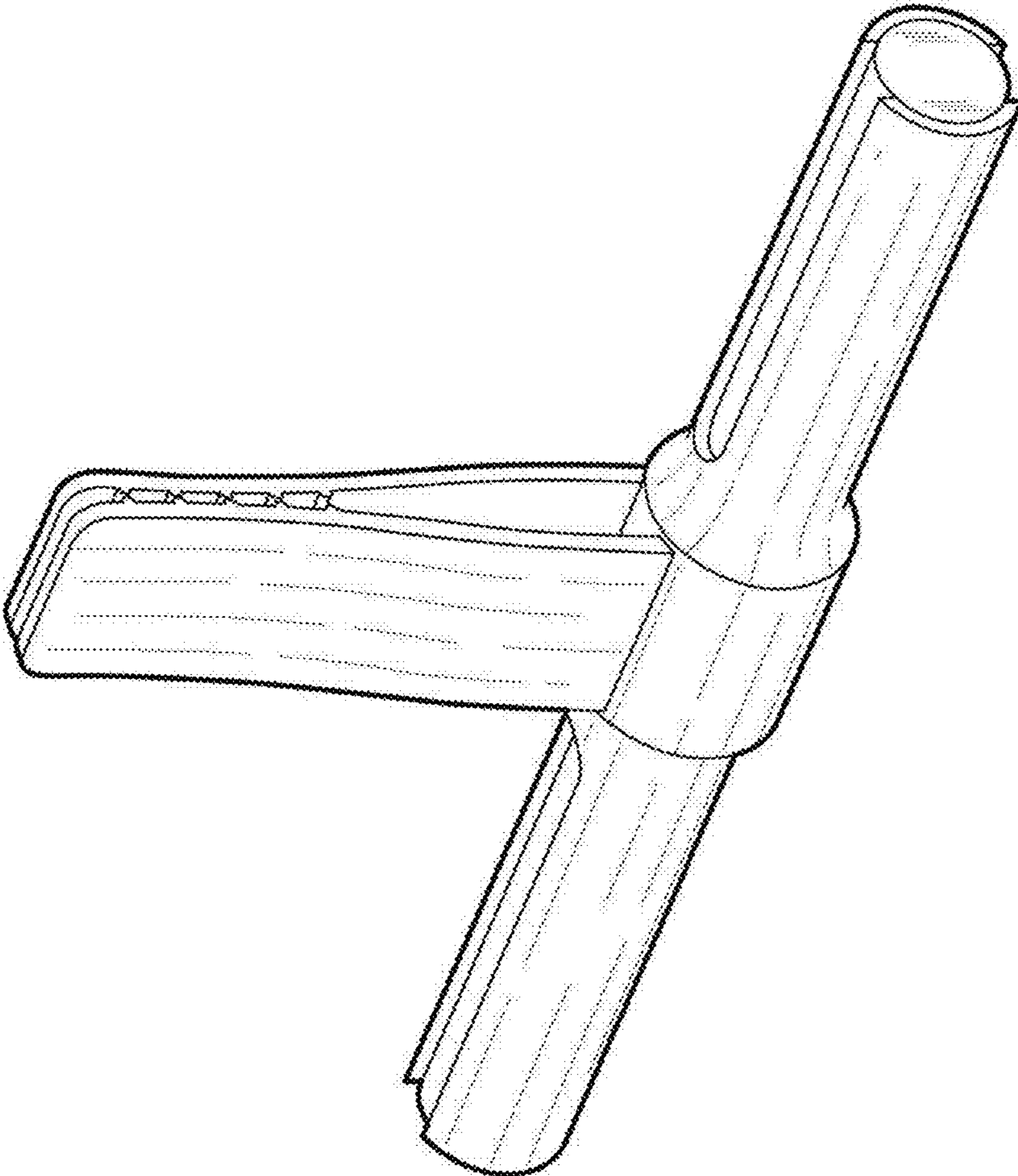


Fig. 8