



US00D868231S

(12) **United States Design Patent** (10) **Patent No.:** **US D868,231 S**  
**Ching** (45) **Date of Patent:** **\*\* Nov. 26, 2019**

(54) **EXTRACTOR UNIT**  
(71) Applicant: **Beacon Group (International) Limited**, Epsom, Surrey (GB)  
(72) Inventor: **Michael Ching**, Epsom (GB)  
(73) Assignee: **Beacon Group (International) Limited**, Epsom (GB)  
(\*\*) Term: **15 Years**  
(21) Appl. No.: **29/631,308**  
(22) Filed: **Dec. 28, 2017**  
(30) **Foreign Application Priority Data**  
Jun. 28, 2017 (GB) ..... 6014595  
(51) **LOC (12) Cl.** ..... **23-04**  
(52) **U.S. Cl.**  
USPC ..... **D23/355**  
(58) **Field of Classification Search**  
USPC ..... D23/314, 317, 324, 325, 328, 329, 330, D23/332, 333, 335, 341, 342, 351, 353, D23/354, 355, 356, 357, 359, 364, 365, D23/366, 370, 375, 379, 385, 386, 388, D23/393, 499  
CPC ..... F24F 1/00; F24F 1/02; F24F 1/08; F24F 1/42; F24F 1/46; F24F 1/60; F24F 1/0003; F24F 1/007; F24F 1/0011; F24F 3/044; F24F 3/048; F24F 3/16; F24F 7/00; F24F 7/04; F24F 12/001; F24F 12/006; F24F 13/20  
See application file for complete search history.

(56) **References Cited**  
U.S. PATENT DOCUMENTS  
D135,554 S \* 4/1943 Burke ..... D23/342  
D150,846 S \* 9/1948 Greer, Jr. .... D23/342

D150,847 S \* 9/1948 Greer, Jr. .... D23/342  
D171,429 S \* 2/1954 Thompson ..... D23/359  
D265,909 S \* 8/1982 Hatanaka ..... 241/285.1  
D307,653 S \* 5/1990 Weirsmann ..... D32/1  
D403,756 S \* 1/1999 Aketa ..... D23/351  
D407,807 S \* 4/1999 Rao ..... D23/330  
D416,614 S \* 11/1999 Bellil ..... D23/364  
D419,230 S \* 1/2000 Ciccone ..... D23/333  
D495,407 S \* 8/2004 Asaoka ..... D23/351  
D502,961 S \* 3/2005 Lo ..... D18/34.6  
D548,315 S \* 8/2007 Lin ..... D23/364  
D553,229 S \* 10/2007 Song ..... D23/359  
D572,810 S \* 7/2008 Chiu ..... D23/333  
D575,911 S \* 8/2008 Greenidge ..... D32/1  
D606,184 S \* 12/2009 Chiu ..... D23/359  
D621,019 S \* 8/2010 Kim ..... D23/356  
D680,636 S \* 4/2013 Ching ..... D23/356  
D704,321 S \* 5/2014 Jardine ..... D23/365  
D715,909 S \* 10/2014 Shiota ..... D23/351  
D776,293 S \* 1/2017 Cerasi ..... D24/217  
D779,047 S \* 2/2017 Ikegaya ..... D23/351

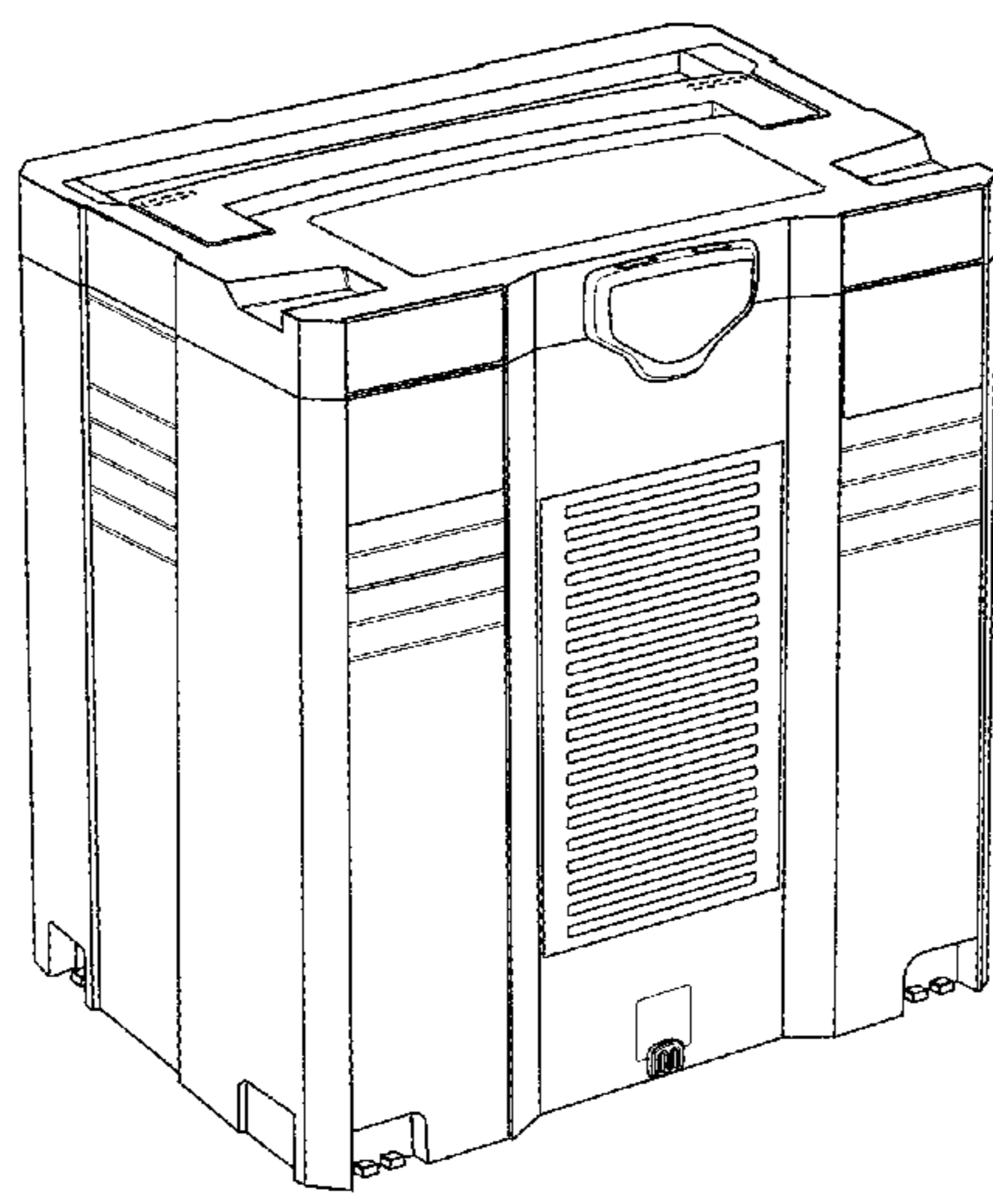
(Continued)

*Primary Examiner* — David G Muller  
*Assistant Examiner* — Nathan M Johnston  
(74) *Attorney, Agent, or Firm* — Umberg Zipser LLP

(57) **CLAIM**  
The ornamental design for an extractor unit, as shown and described.

**DESCRIPTION**  
FIG. 1 is a top, front, left side perspective view of an extractor unit showing my design;  
FIG. 2 is a front elevation view.  
FIG. 3 is rear elevation view thereof.  
FIG. 4 is a right side elevation view thereof.  
FIG. 5 is a left side elevation view thereof.  
FIG. 6 is a top plan view thereof; and,  
FIG. 7 is a bottom plan view thereof.  
The broken line disclosure represents portions of the extractor unit which form no part of the claimed design.

**1 Claim, 6 Drawing Sheets**



(56)

**References Cited**

U.S. PATENT DOCUMENTS

D803,368 S \* 11/2017 Priester ..... D23/364  
D808,091 S \* 1/2018 Pan ..... D32/1  
D822,803 S \* 7/2018 Pontillas ..... D23/332

\* cited by examiner

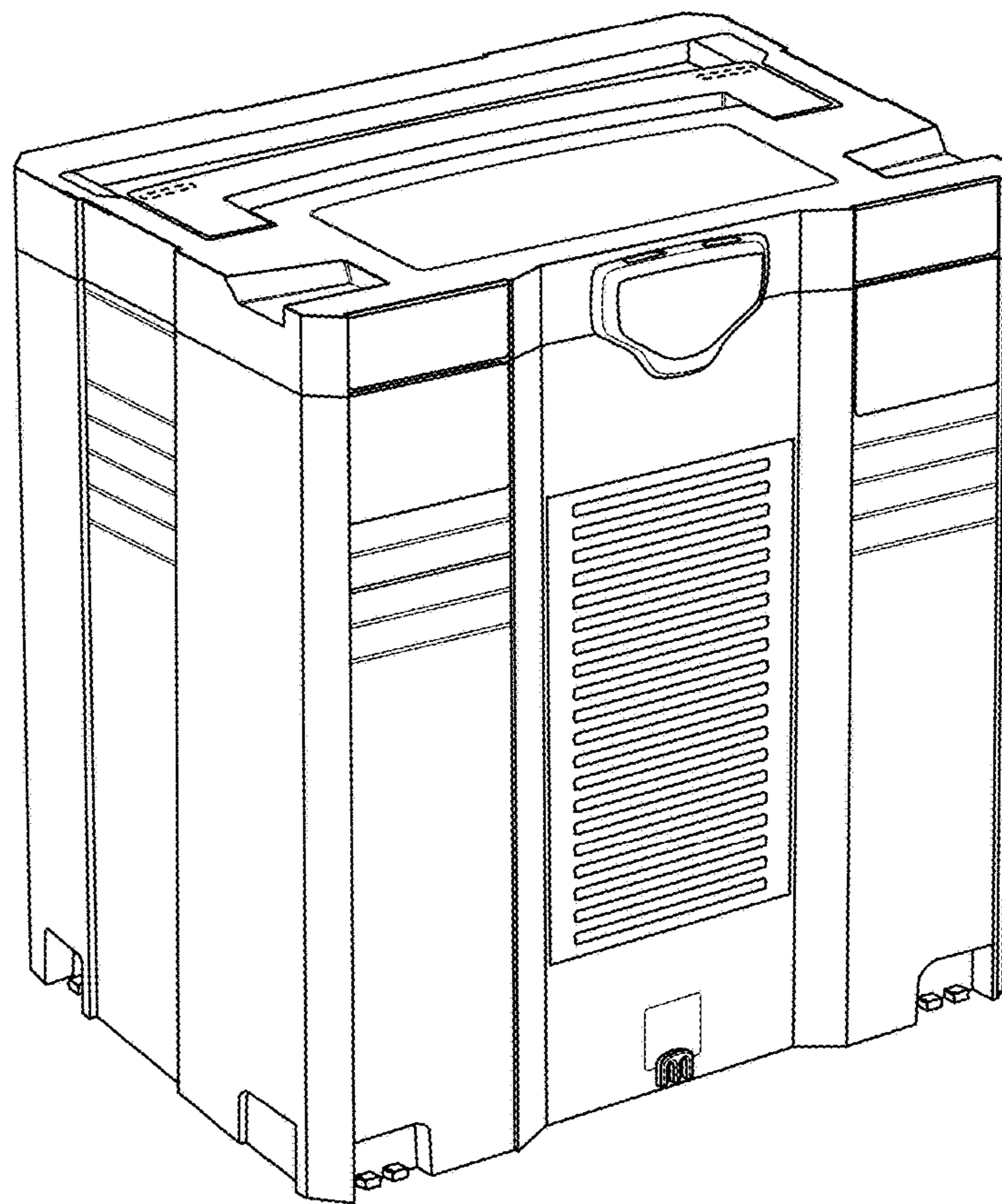


FIG. 1

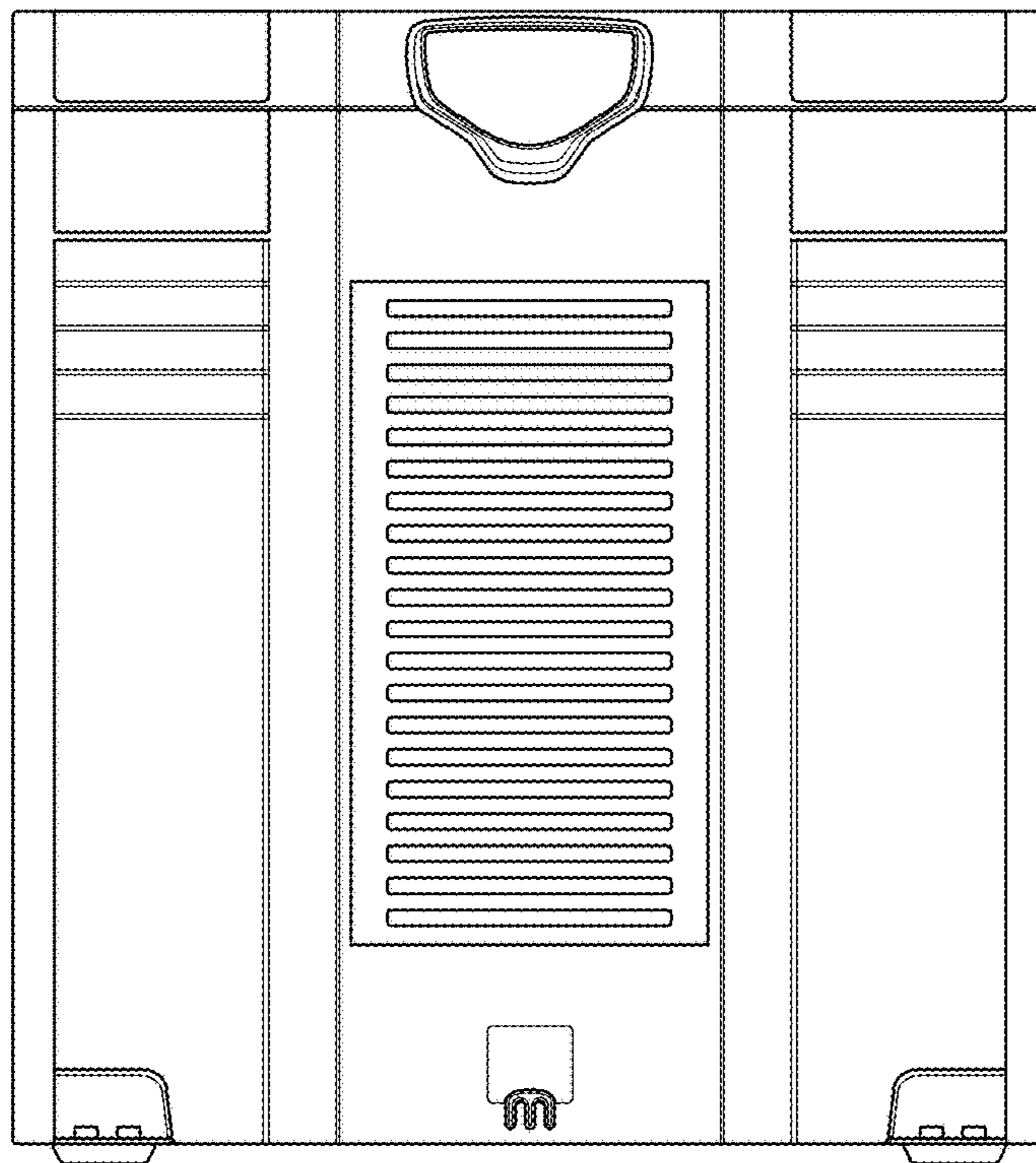


FIG. 2

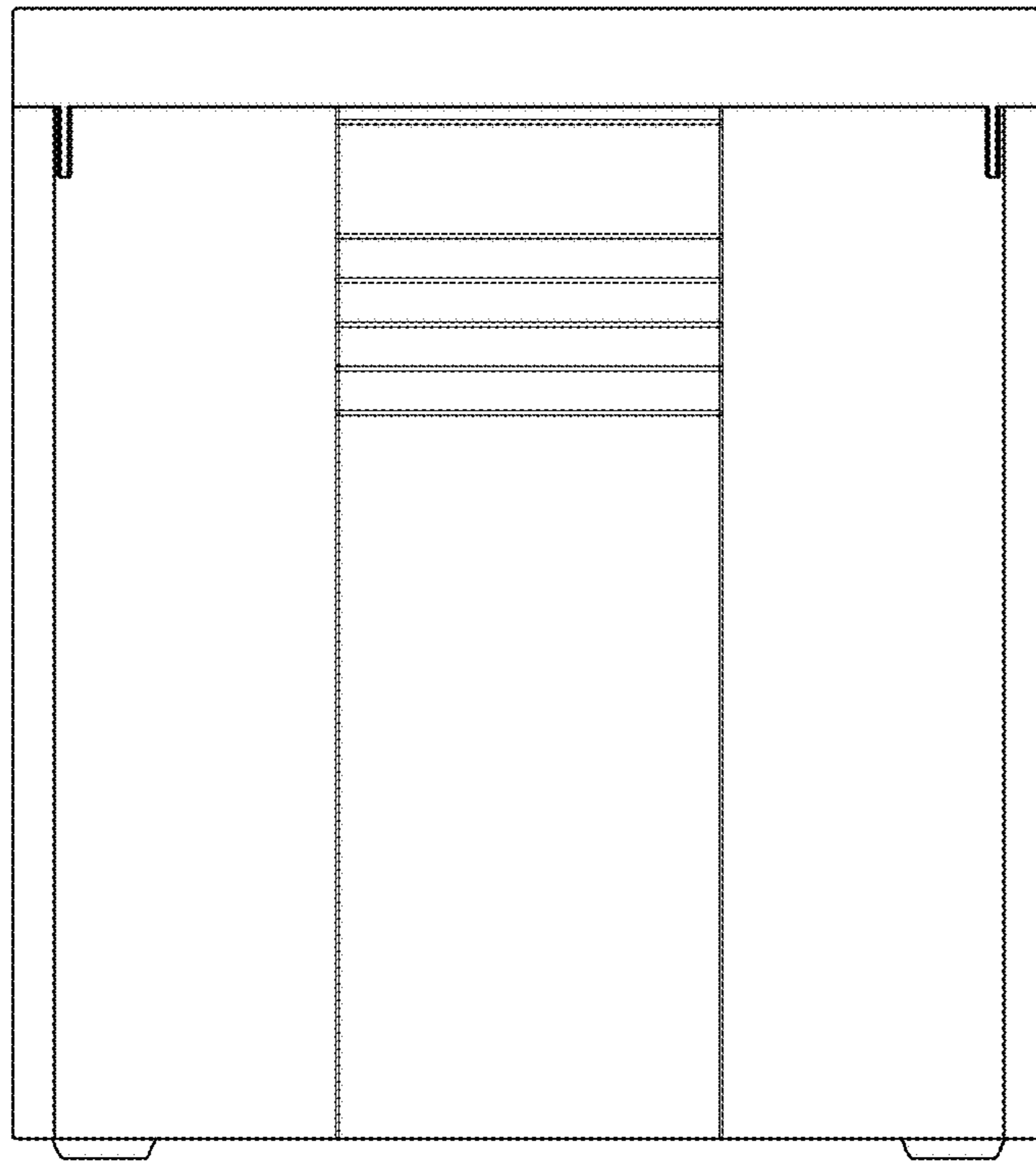


FIG. 3

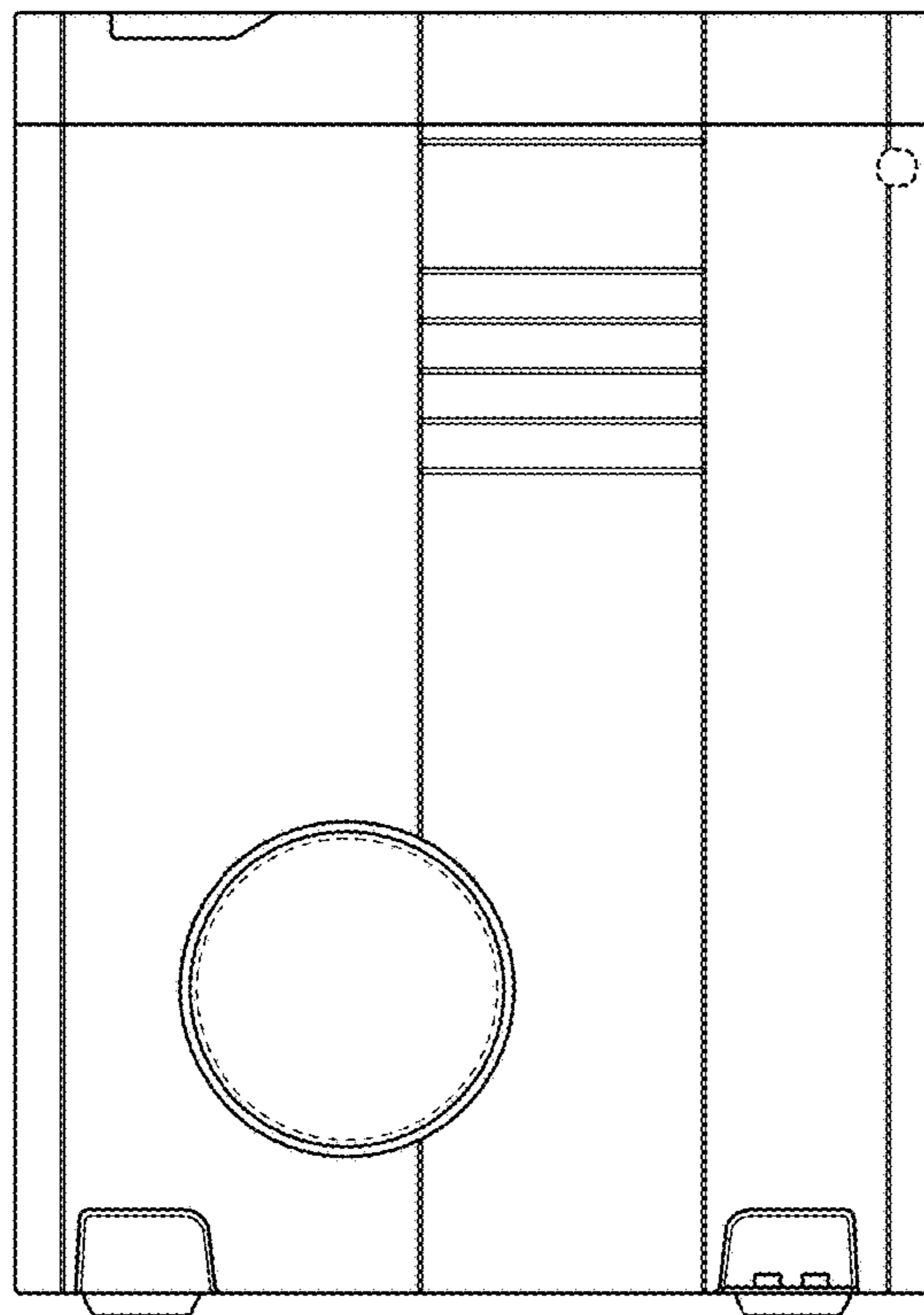


FIG. 4

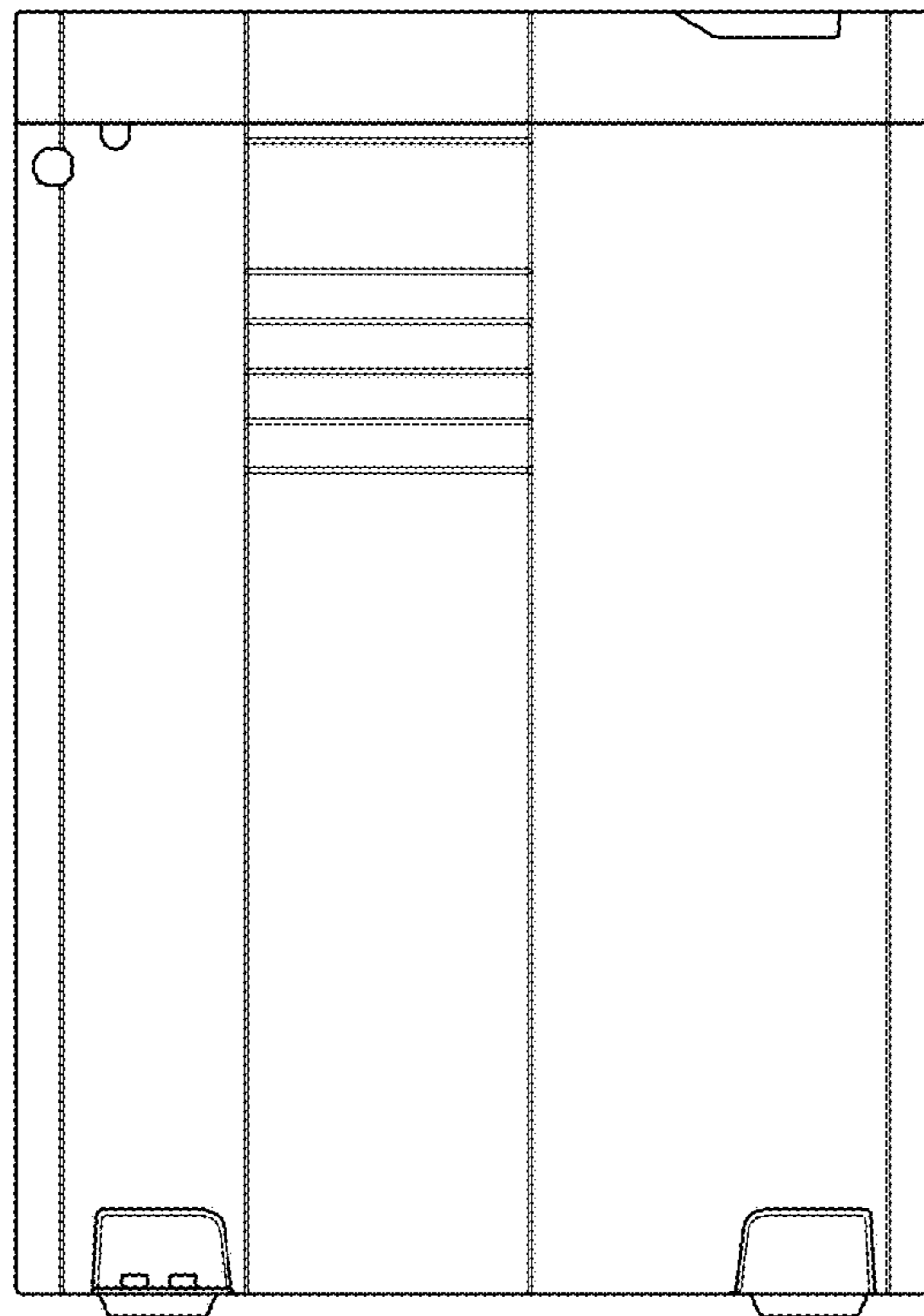


FIG. 5

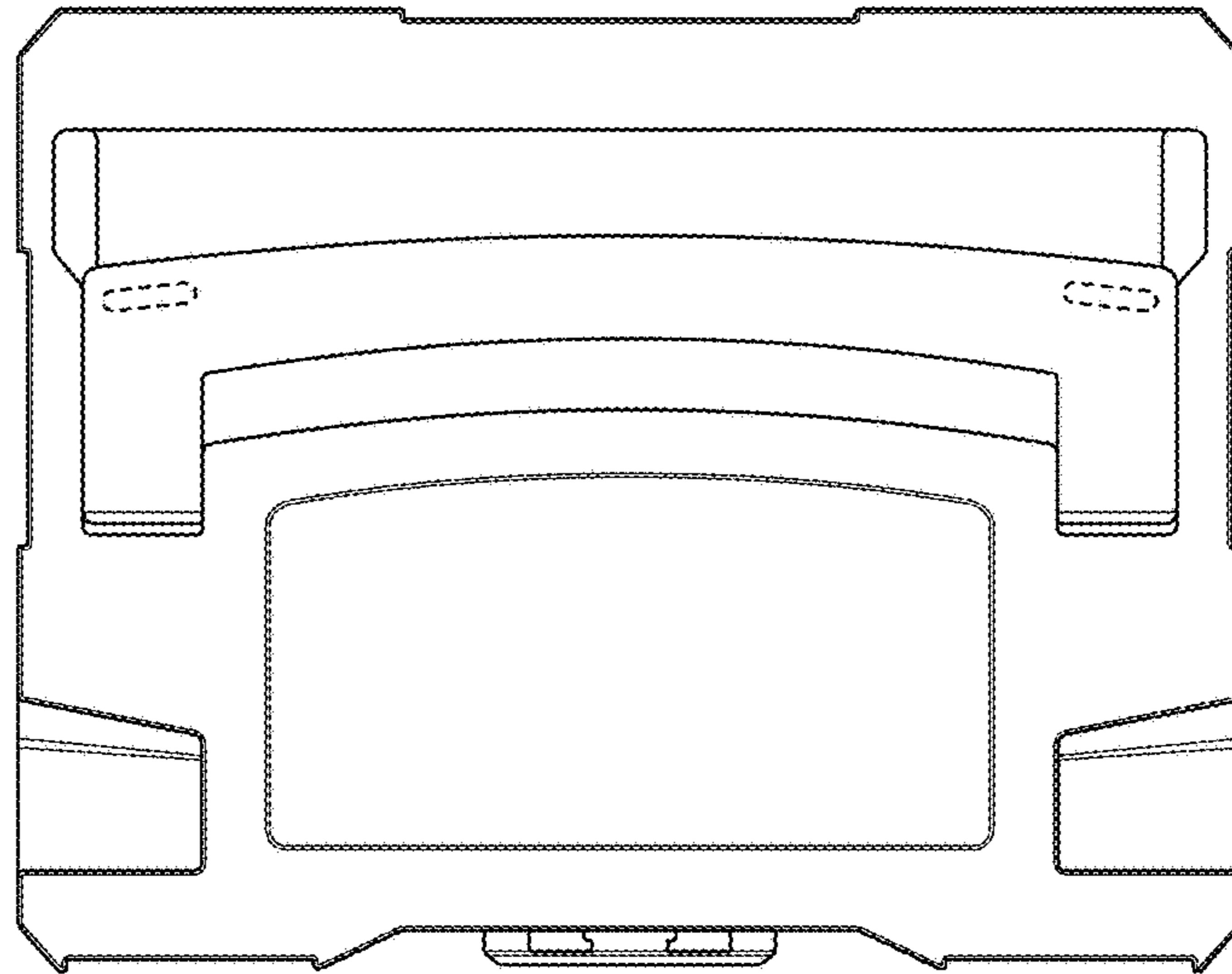


FIG. 6

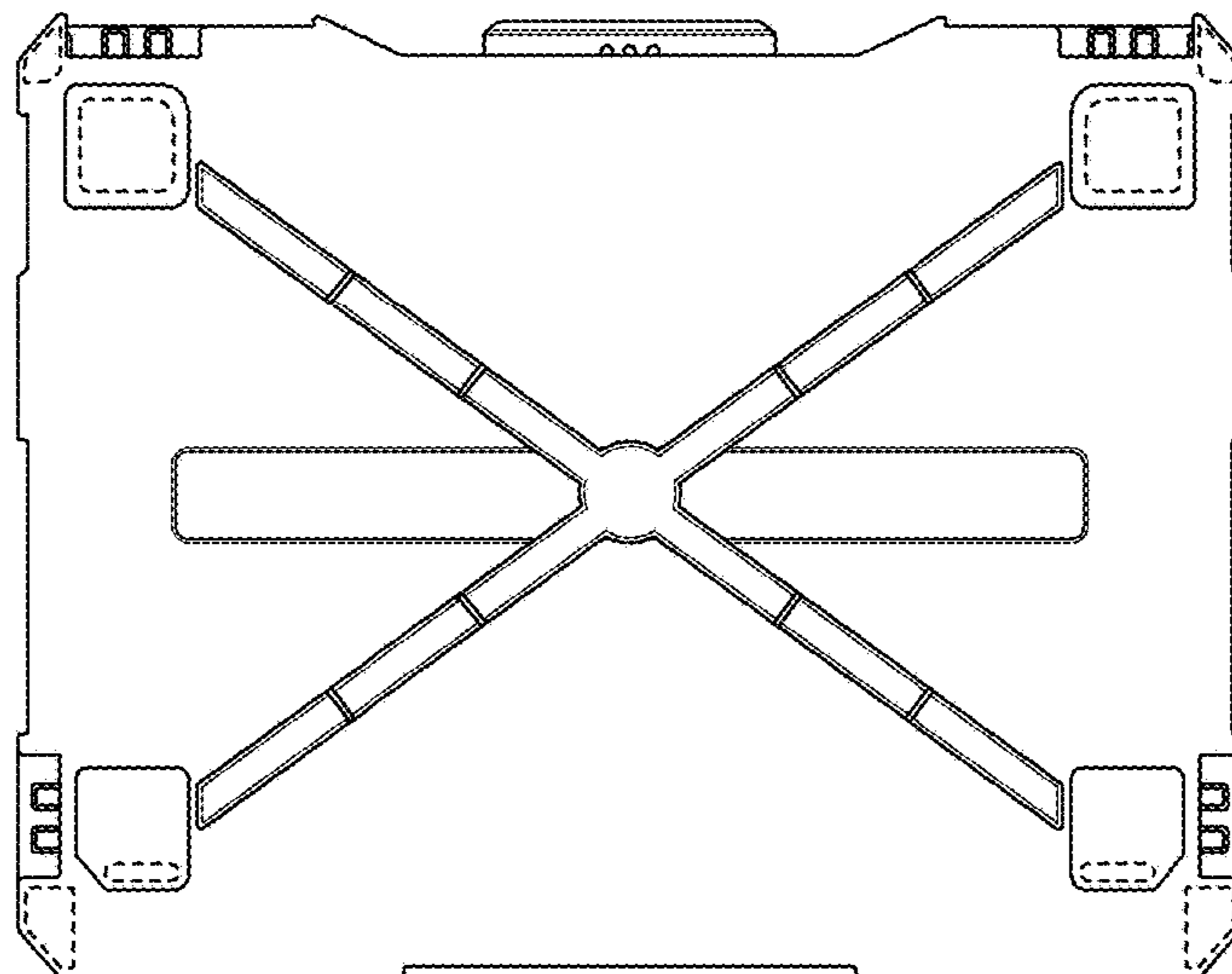


FIG. 7