



US00D868229S

(12) **United States Design Patent**  
**Chen**

(10) **Patent No.:** **US D868,229 S**

(45) **Date of Patent:** **\*\* Nov. 26, 2019**

(54) **WARM AIR BLOWER**

(71) Applicant: **Shenzhen Fulewei Furniture Co., Ltd.**, Shenzhen, Guangdong (CN)

(72) Inventor: **Yingze Chen**, Guangdong (CN)

(\*\*) Term: **15 Years**

(21) Appl. No.: **29/698,561**

(22) Filed: **Jul. 18, 2019**

(30) **Foreign Application Priority Data**

Jul. 9, 2019 (EM) ..... 006618807

(51) **LOC (12) Cl.** ..... **23-03**

(52) **U.S. Cl.**  
USPC ..... **D23/332**

(58) **Field of Classification Search**  
USPC ..... D23/314, 317, 318, 319, 320, 322, 323,  
D23/325, 329, 332, 333, 335, 336, 337,  
D23/338, 339, 340, 342, 351, 352, 354,  
D23/355, 356, 357, 359, 360, 361, 362,  
D23/363, 364, 366

CPC ..... F24H 3/00; F24H 3/0411; F24H 3/0417;  
F24H 9/0063; F24H 9/0073; F24H 9/02;  
F24H 3/082; F24H 9/2071; F24H 3/002;  
F24H 3/02; F04D 17/04; F04D 25/08;  
F04D 25/10; H05B 3/008

See application file for complete search history.

(56) **References Cited**

**U.S. PATENT DOCUMENTS**

D590,486 S 4/2009 Park  
D663,755 S 7/2012 Schilter  
D682,949 S 5/2013 Huang

D740,926 S \* 10/2015 Lin ..... D23/332  
D827,796 S \* 9/2018 Torres Martin ..... D23/332  
D847,313 S \* 4/2019 Shen ..... D23/333  
D849,906 S \* 5/2019 Exley ..... D23/335

\* cited by examiner

*Primary Examiner* — T Chase Nelson

*Assistant Examiner* — Ania Aman

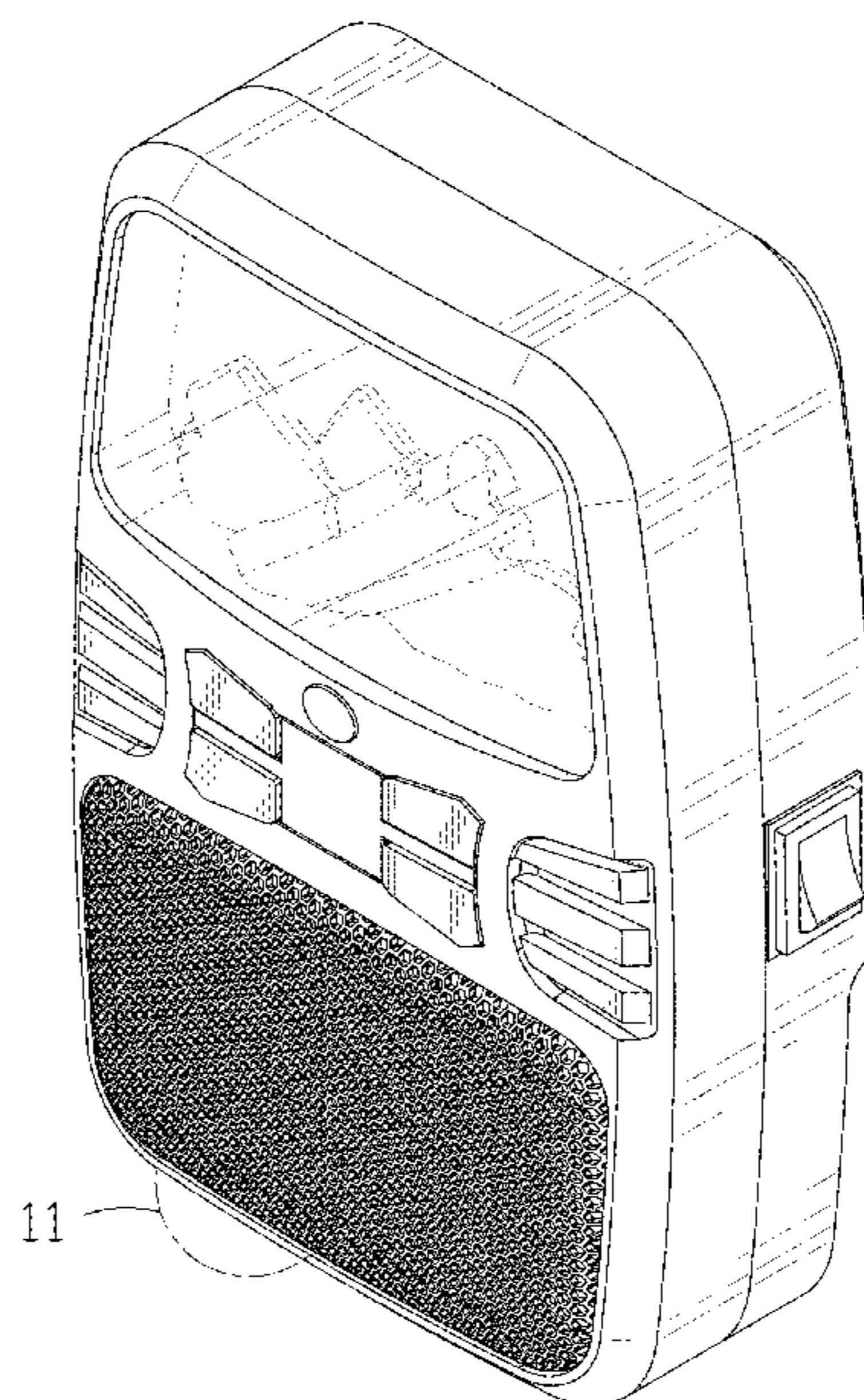
(57) **CLAIM**

The ornamental design for a warm air blower, as shown and described.

**DESCRIPTION**

FIG. 1 is a front perspective view of a warm air blower showing my new design;  
FIG. 2 is a back perspective view thereof;  
FIG. 3 is a front view thereof;  
FIG. 4 is a back view thereof;  
FIG. 5 is a left side view thereof;  
FIG. 6 is a right side view thereof;  
FIG. 7 is atop view thereof;  
FIG. 8 is a bottom view thereof;  
FIG. 9 is a back perspective view of the warm air blower connected with a plug;  
FIG. 10 is a back perspective view of the warm air blower connected with another plug;  
FIG. 11 is an enlarged view of a portion of the warm air blower indicated in FIG. 1;  
FIG. 12 is an enlarged view of a portion of the warm air blower indicated in FIG. 5; and,  
FIG. 13 is an enlarged view of a portion of the warm air blower indicated in FIG. 7.  
The broken lines in the figures illustrate portions of the warm air blower that form no part of the claimed design.

**1 Claim, 13 Drawing Sheets**



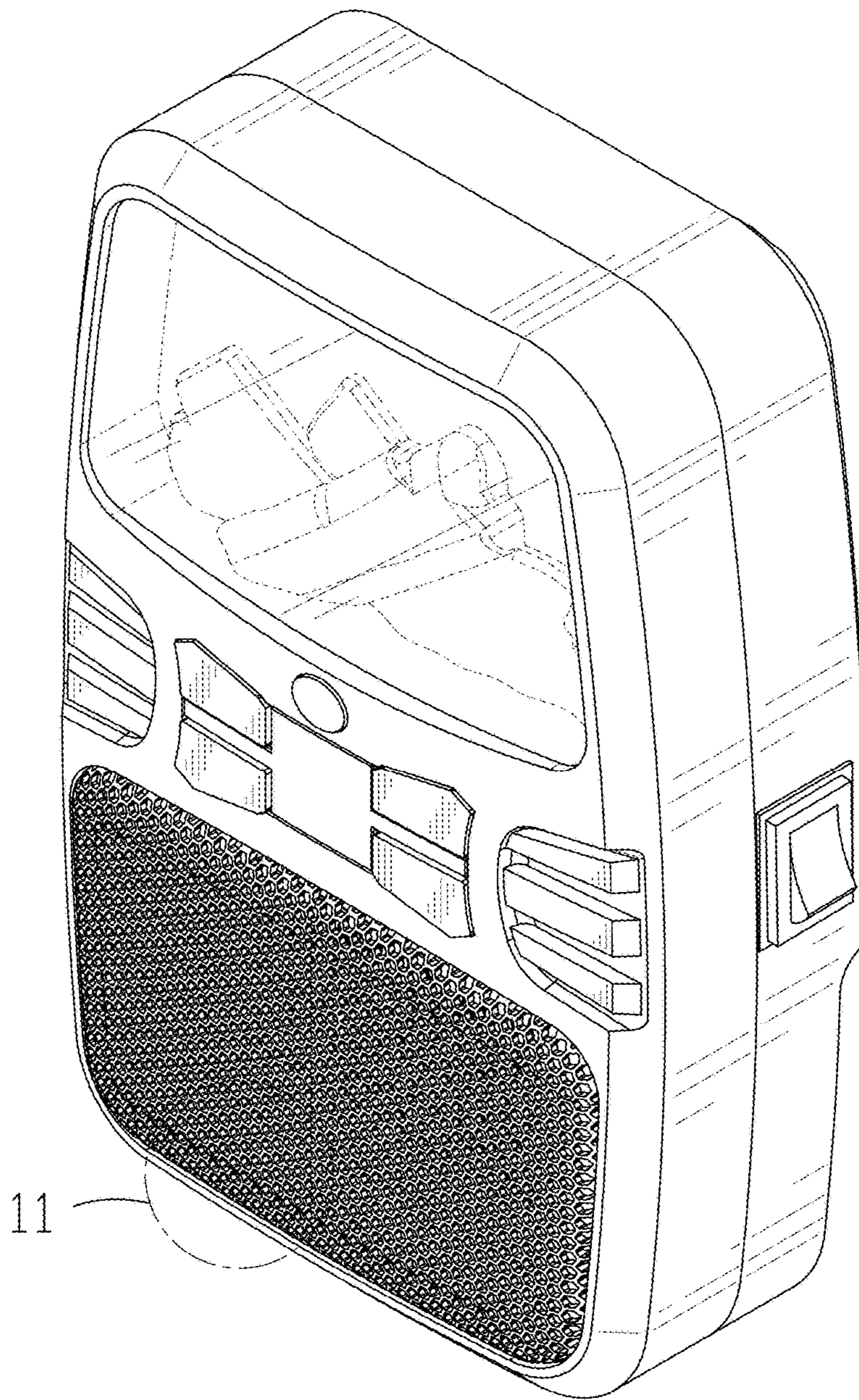


FIG. 1

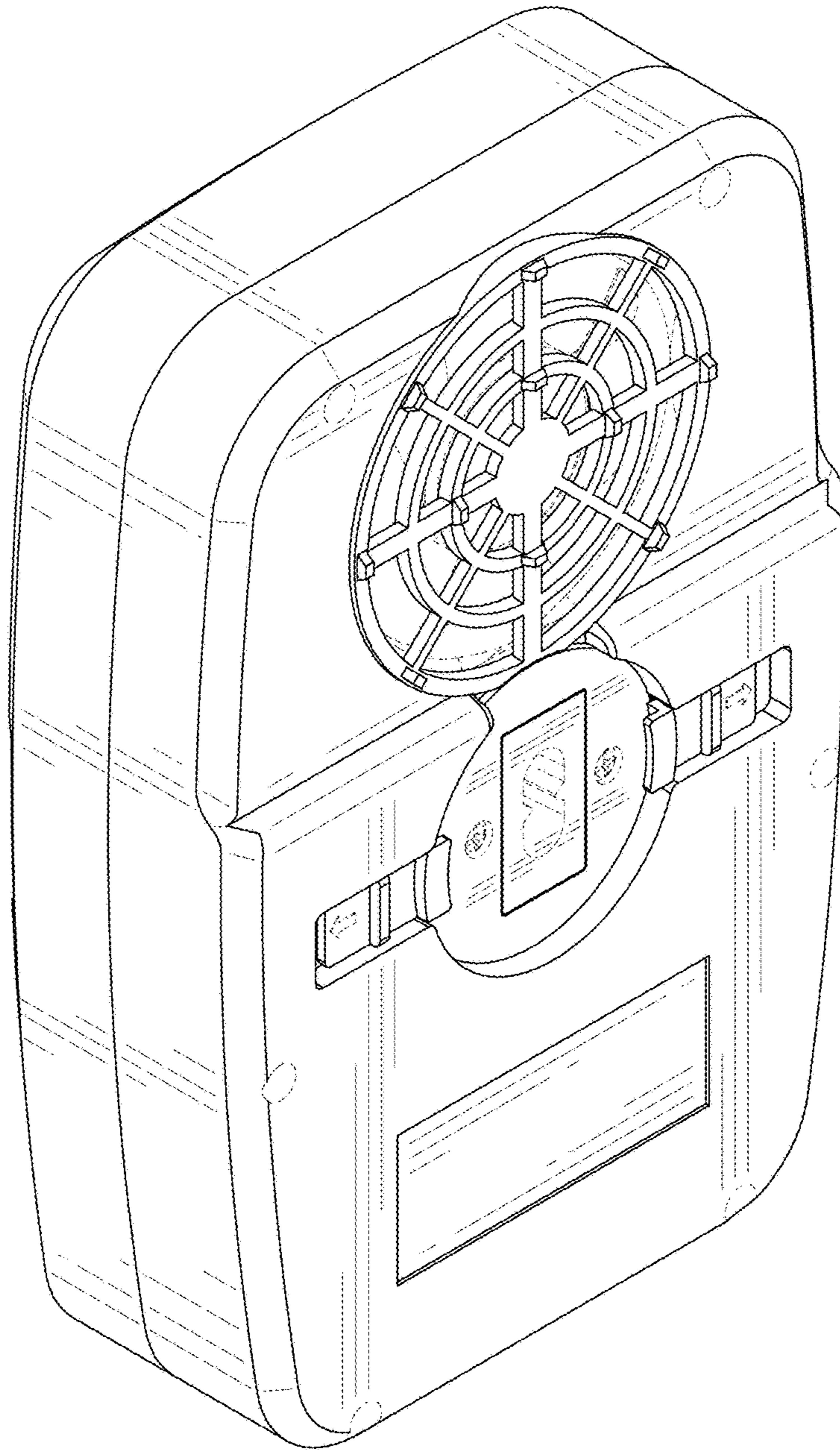


FIG. 2

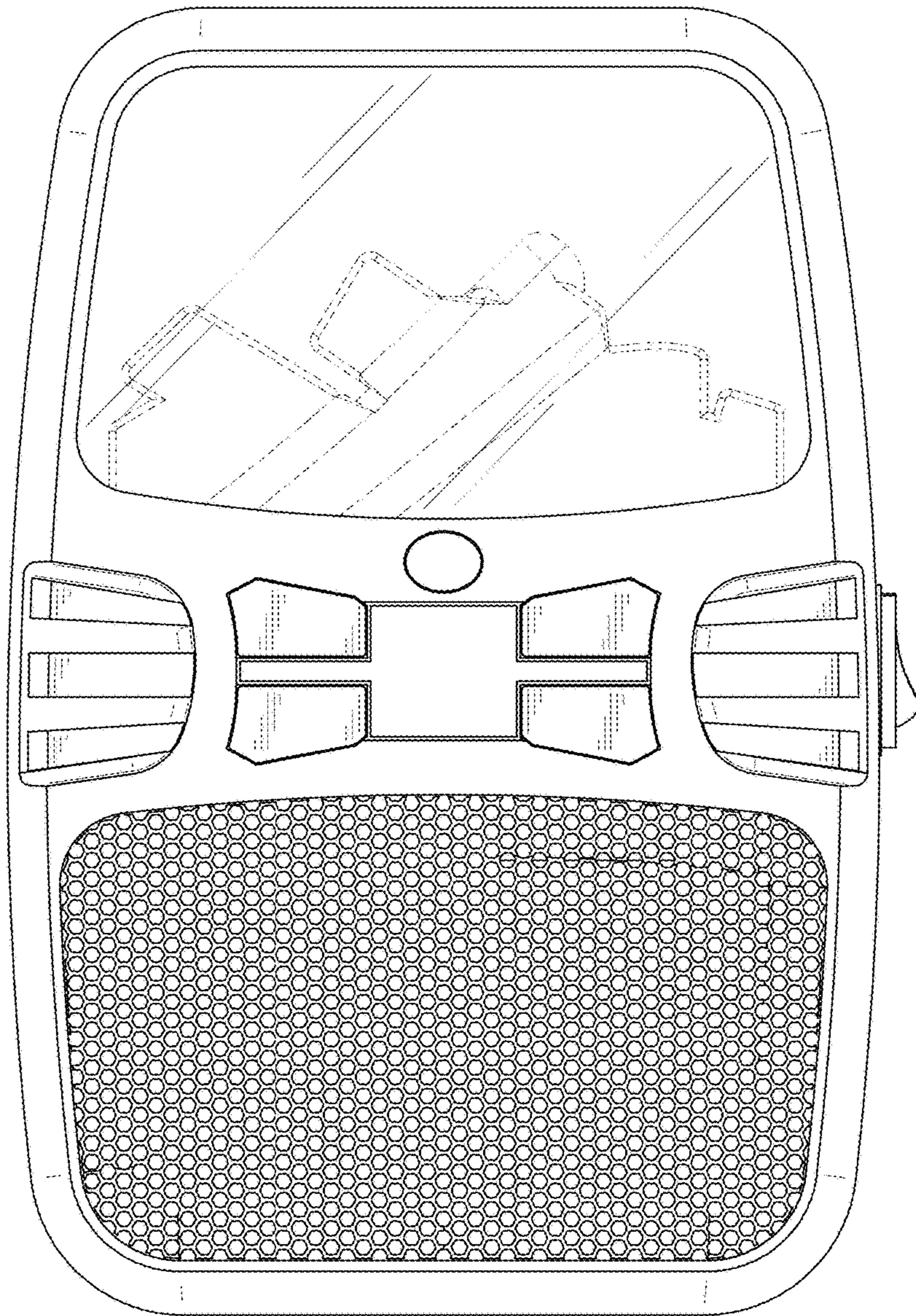


FIG. 3

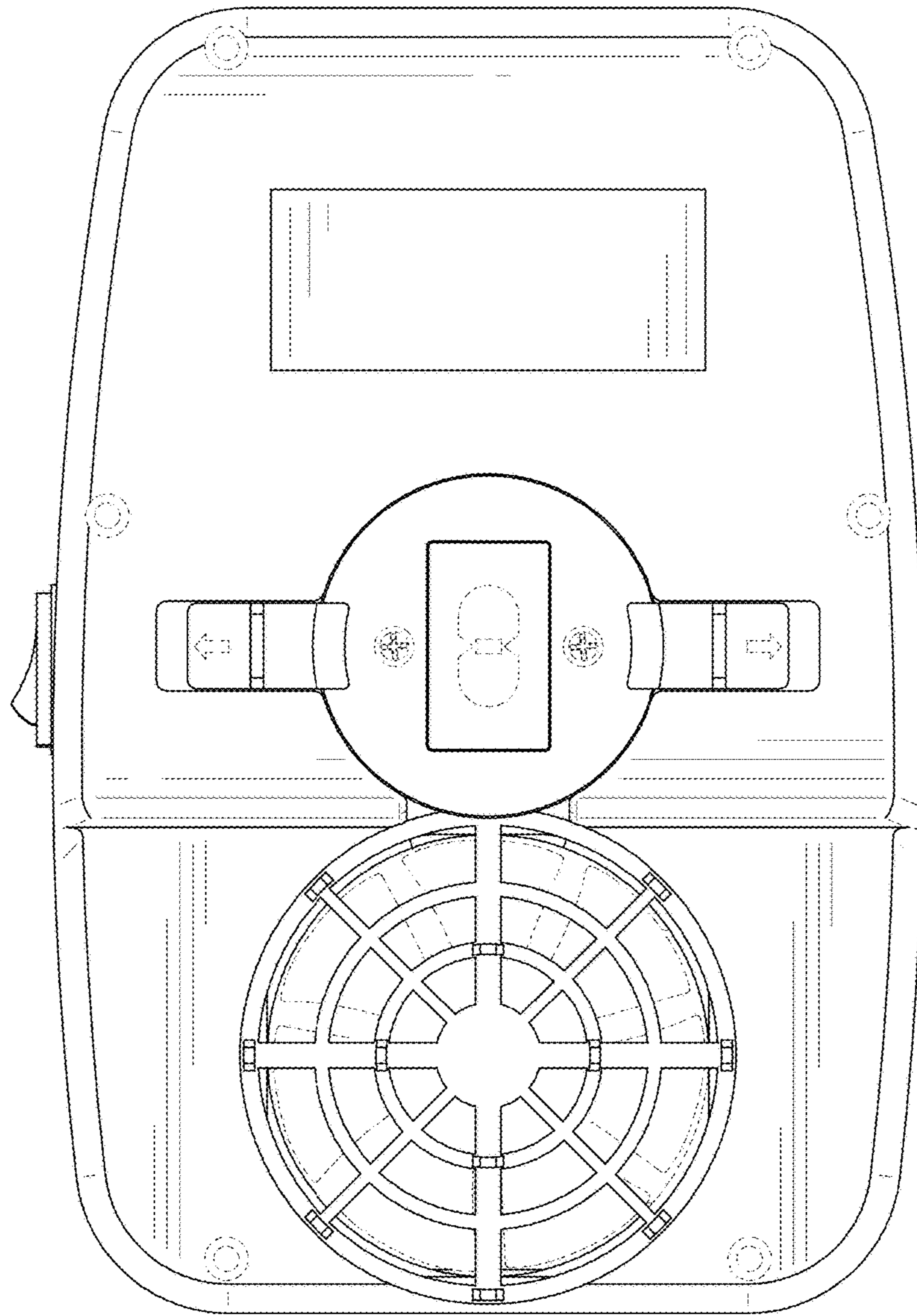


FIG. 4

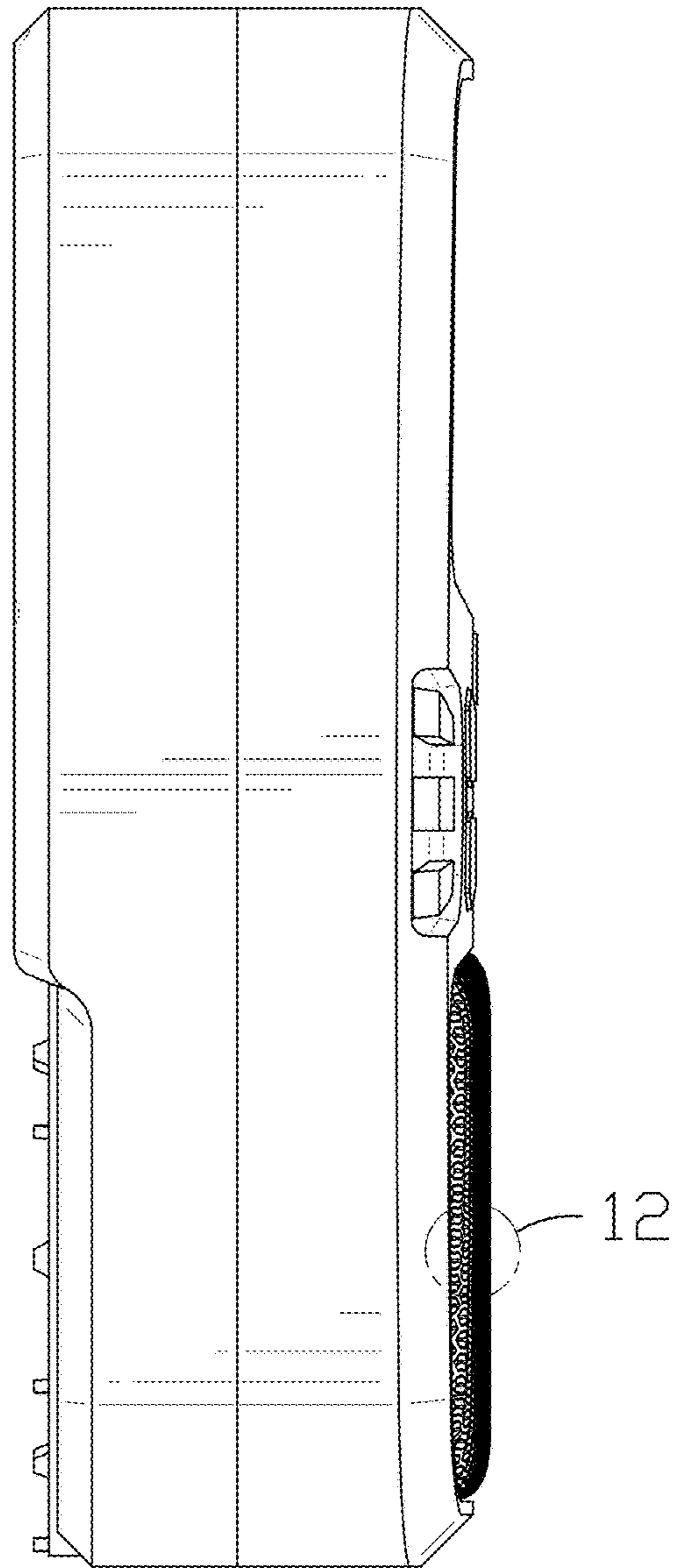


FIG. 5

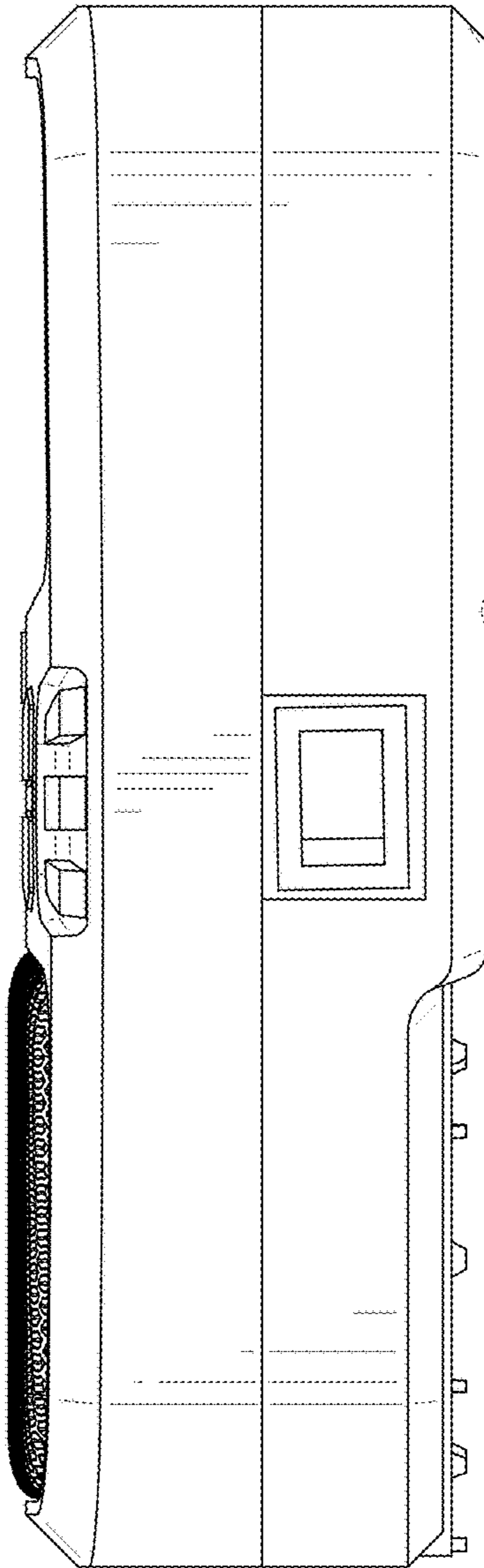


FIG. 6

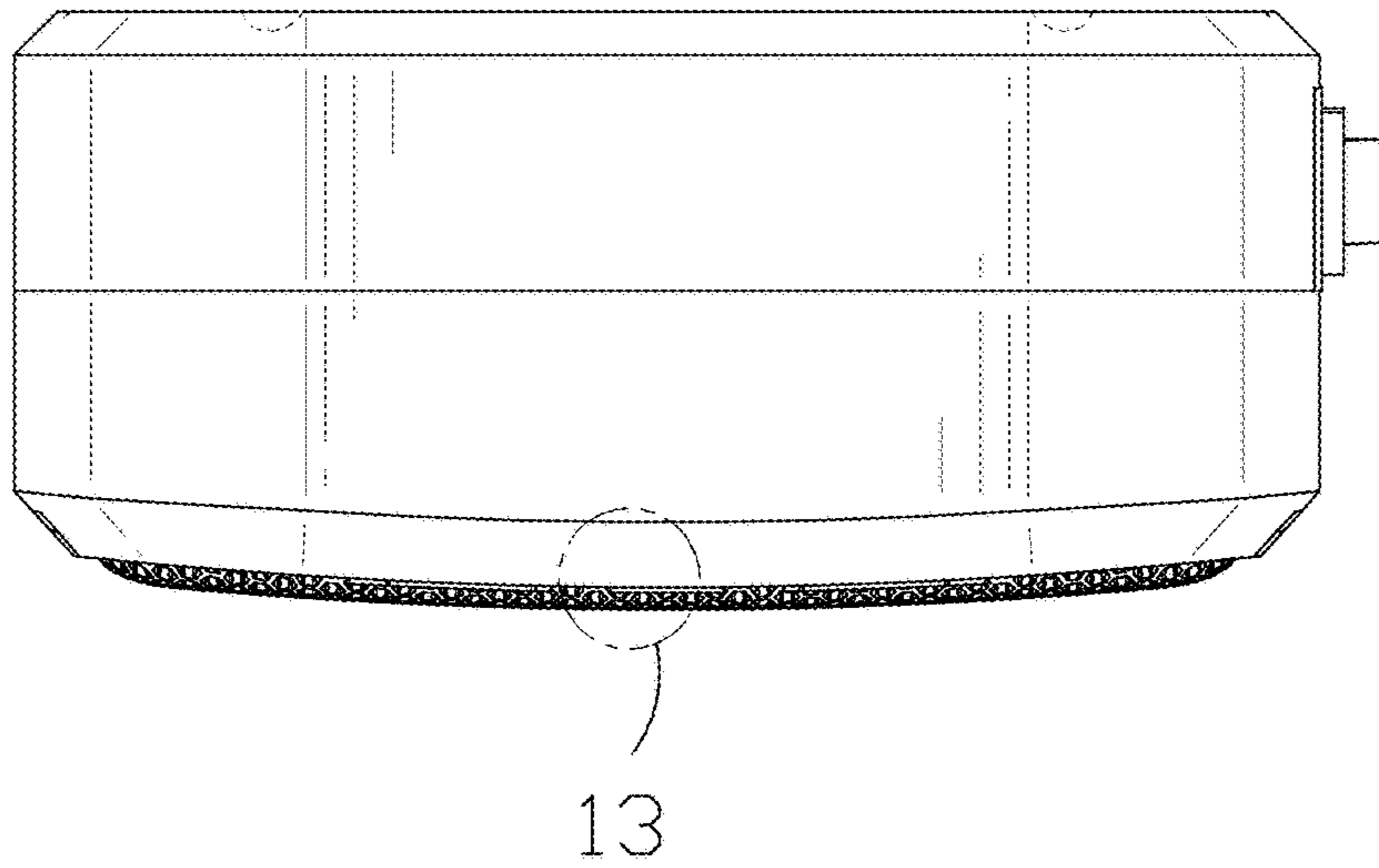


FIG. 7



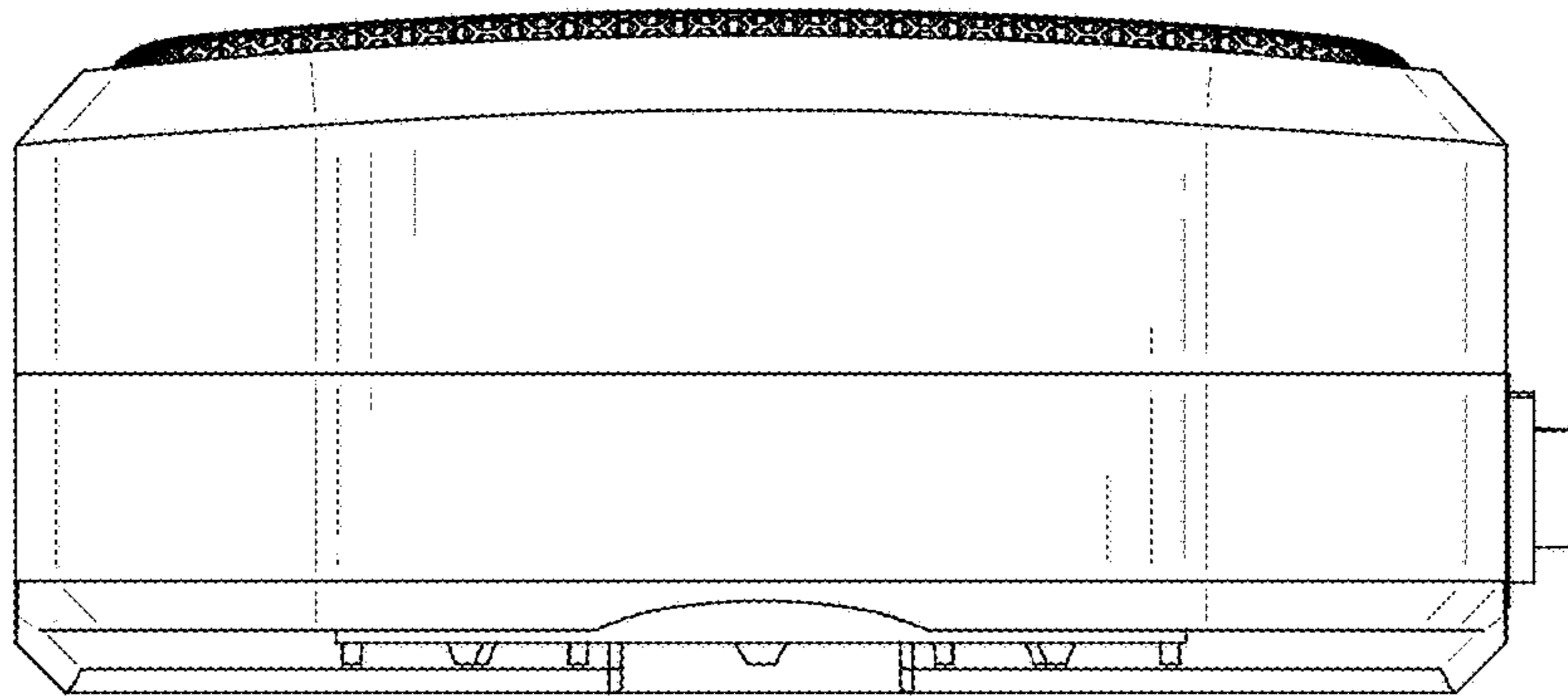


FIG. 8

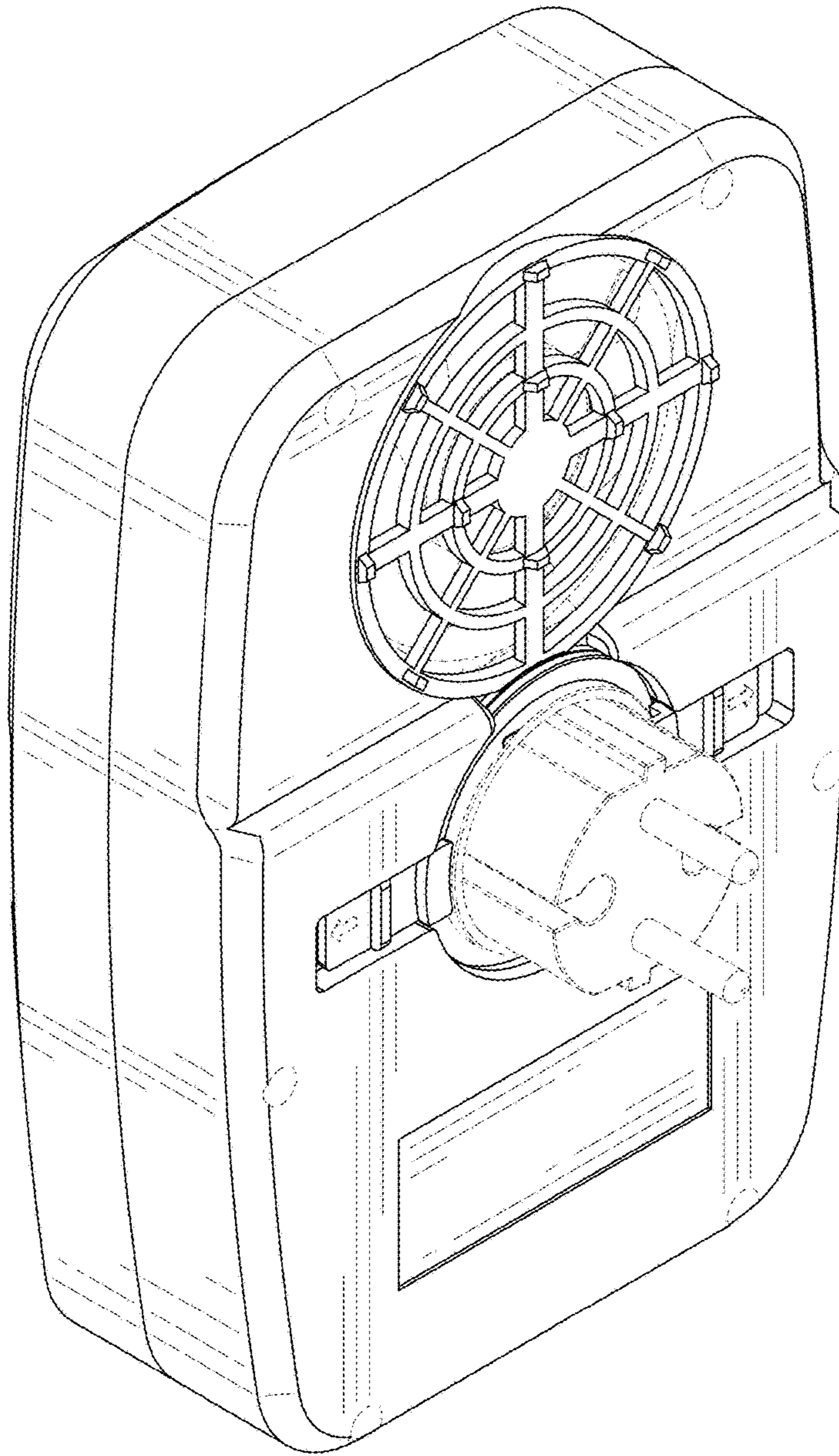


FIG. 9

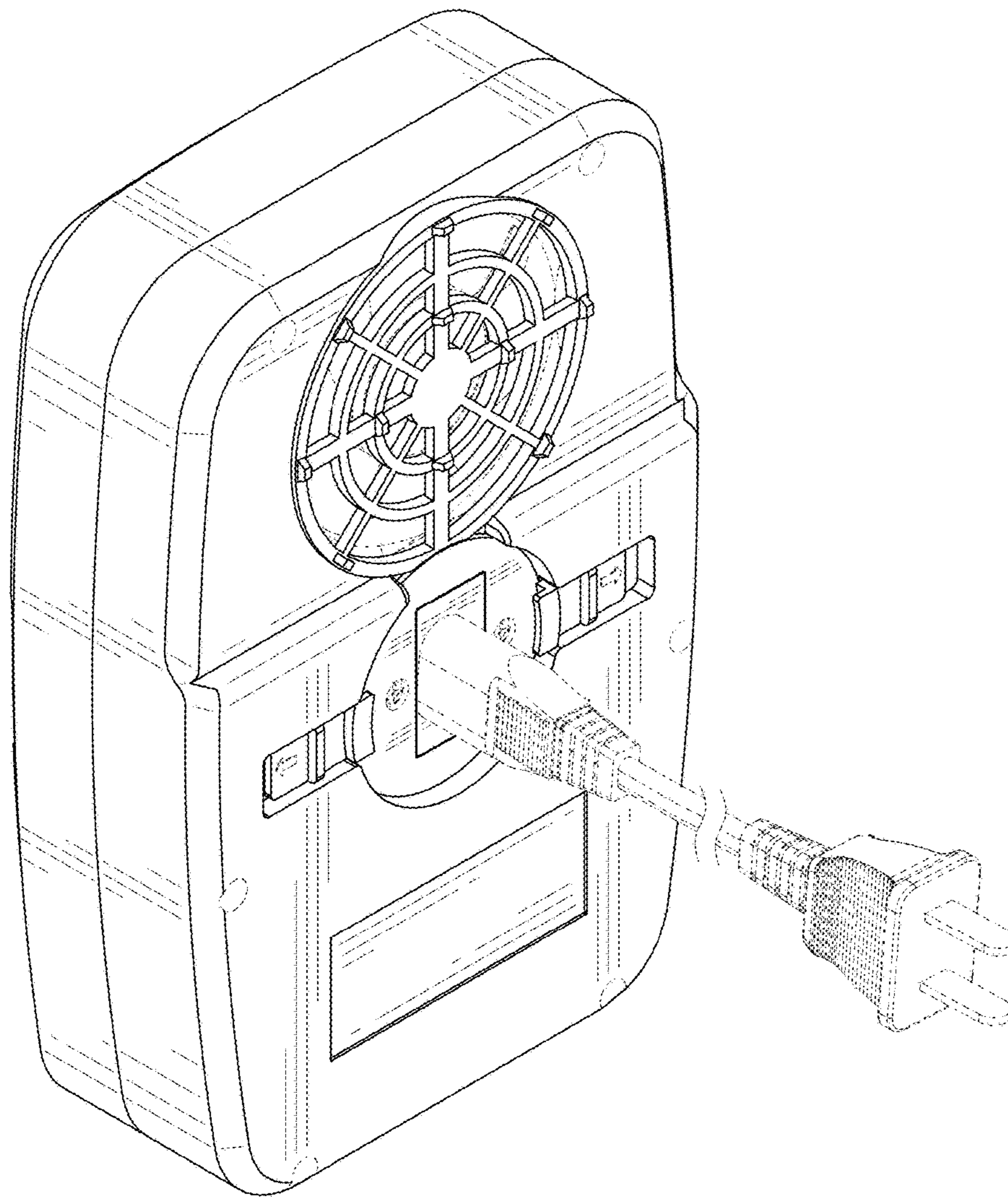


FIG. 10

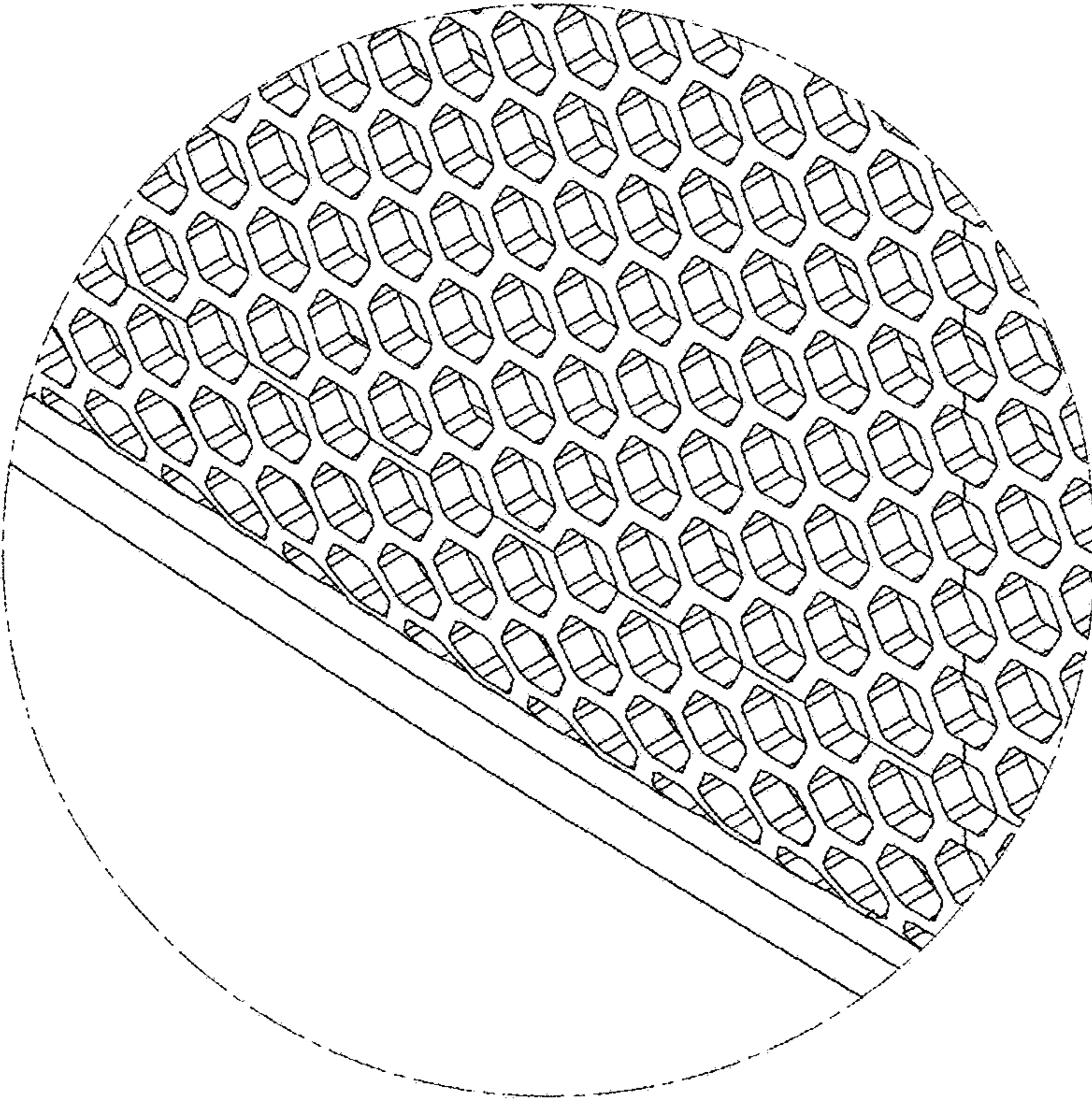


FIG. 11

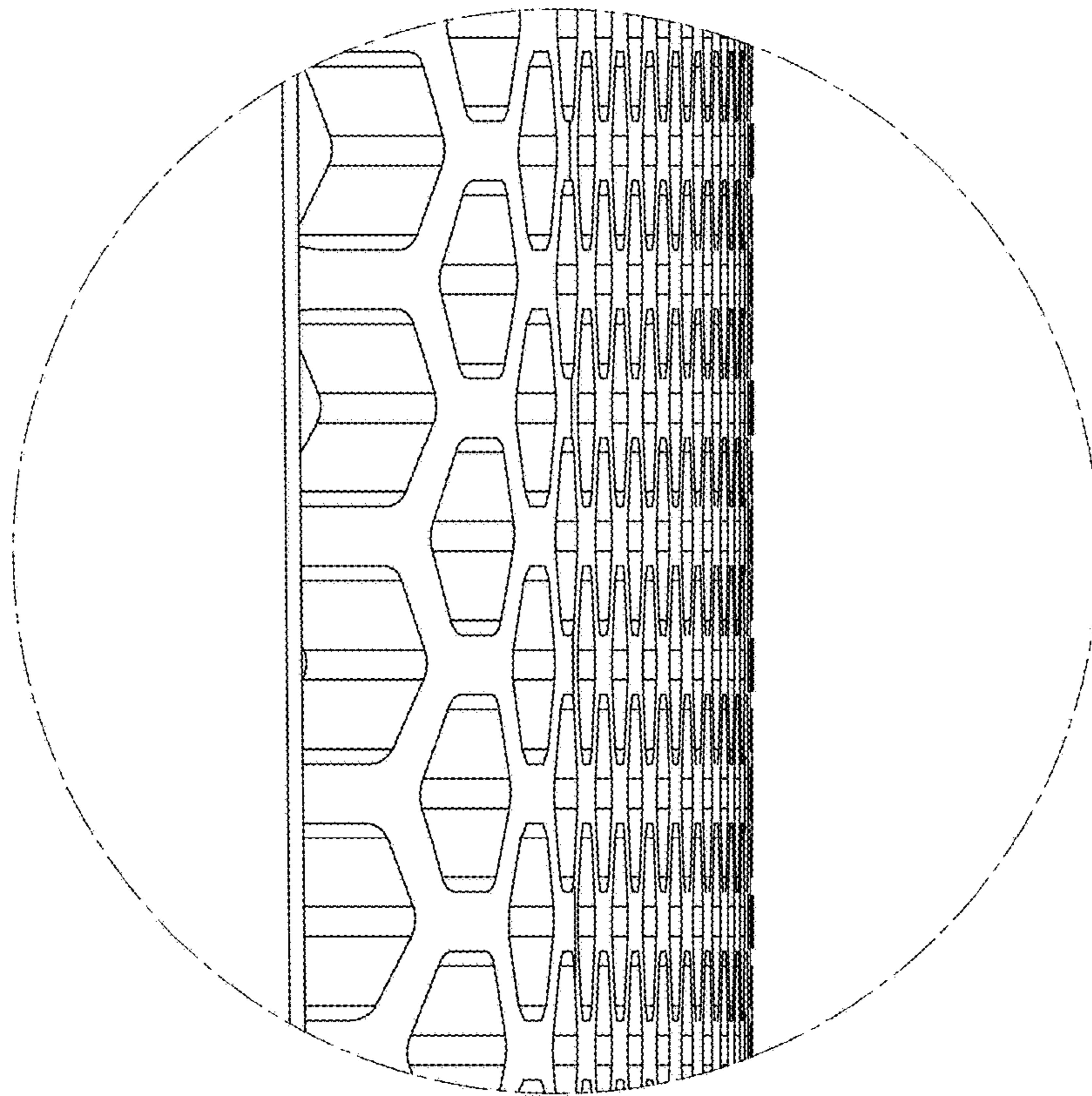


FIG. 12

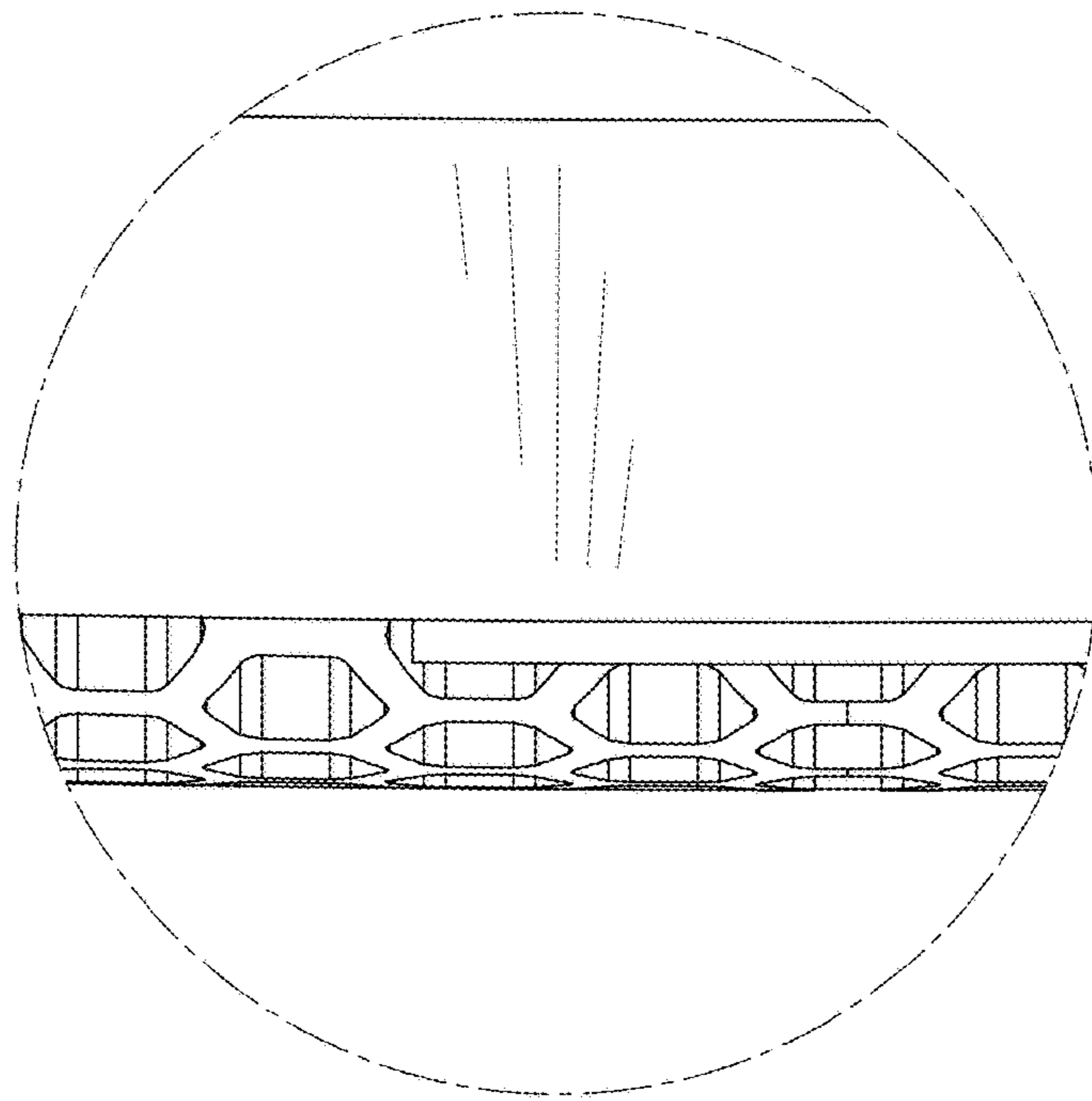


FIG. 13