



US00D868228S

(12) **United States Design Patent** (10) **Patent No.:** **US D868,228 S**
Schmitt et al. (45) **Date of Patent:** **** Nov. 26, 2019**

(54) **FURNACE**

(71) Applicant: **Desktop Metal, Inc.**, Burlington, MA (US)

(72) Inventors: **Peter Schmitt**, Brookline, MA (US); **Justin Cumming**, Topsfield, MA (US); **Alex Fishman**, Boston, MA (US); **Ric Fulop**, Burlington, MA (US); **Rick Chin**, Burlington, MA (US); **Jonah Samuel Myerberg**, Burlington, MA (US); **Yves Behar**, San Francisco, CA (US); **Brandon Heiman**, San Francisco, CA (US)

(73) Assignee: **Desktop Metal, Inc.**, Burlington, MA (US)

(**) Term: **15 Years**

(21) Appl. No.: **29/601,454**

(22) Filed: **Apr. 21, 2017**

(51) **LOC (12) Cl.** **23-03**

(52) **U.S. Cl.**
USPC **D23/329**

(58) **Field of Classification Search**
USPC D23/314, 317, 318, 319, 329, 332, 342, D23/355, 364; D15/122, 135, 138, 145, D15/146; D18/6, 7, 14, 19, 50, 54.1, 55
CPC B22F 3/003; B22F 3/10; B22F 7/00; F27B 17/02; F27B 1/005; F27B 1/12; F27B 21/00

See application file for complete search history.

(56) **References Cited**

U.S. PATENT DOCUMENTS

5,236,353 A *	8/1993	Adani	G01N 31/12 422/78
D619,689 S *	7/2010	Bartlett	D23/329
D683,002 S *	5/2013	Martin, Sr.	D23/329
D752,661 S *	3/2016	Anantha	D15/122
D755,359 S *	5/2016	Rentschler	D23/355
D763,330 S *	8/2016	Olive	D15/122
D804,001 S *	11/2017	Cartwright	D23/355
2016/0052054 A1 *	2/2016	Orange	B22F 3/008 425/78
2017/0218660 A1 *	8/2017	Muchna	E05B 47/0002

* cited by examiner

Primary Examiner — T Chase Nelson

Assistant Examiner — Ania Aman

(74) *Attorney, Agent, or Firm* — Wolf, Greenfield & Sacks, P.C.

(57) **CLAIM**

The ornamental design for a furnace, substantially as shown and described.

DESCRIPTION

FIG. 1 is a front perspective view of the furnace in the present invention.

FIG. 2 is a front view thereof.

FIG. 3 is a rear view thereof.

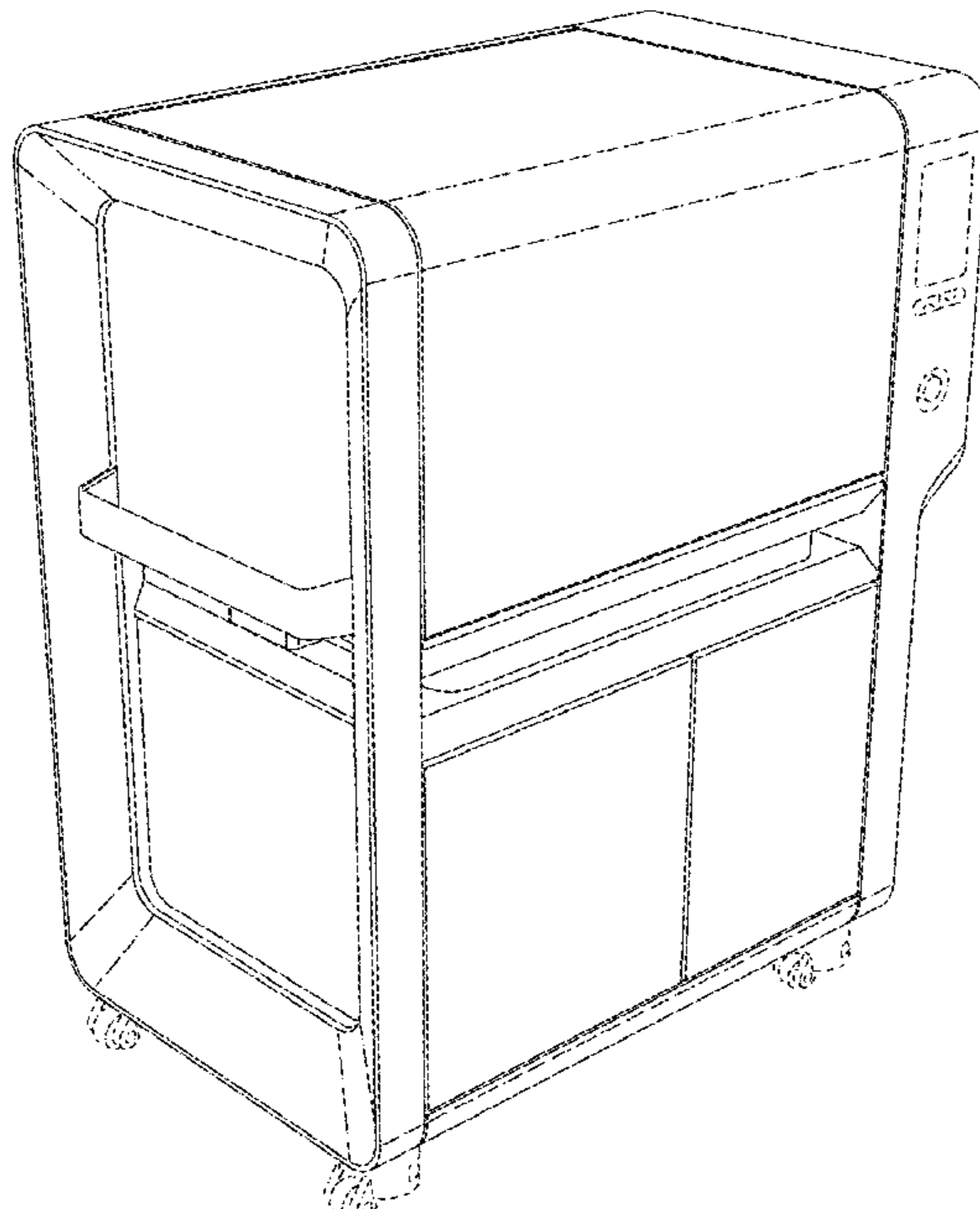
FIG. 4 is a top view thereof.

FIG. 5 is a left side view thereof; and,

FIG. 6 is a right side view thereof.

The broken lines illustrate portions of the furnace that form no part of the claimed design.

1 Claim, 6 Drawing Sheets



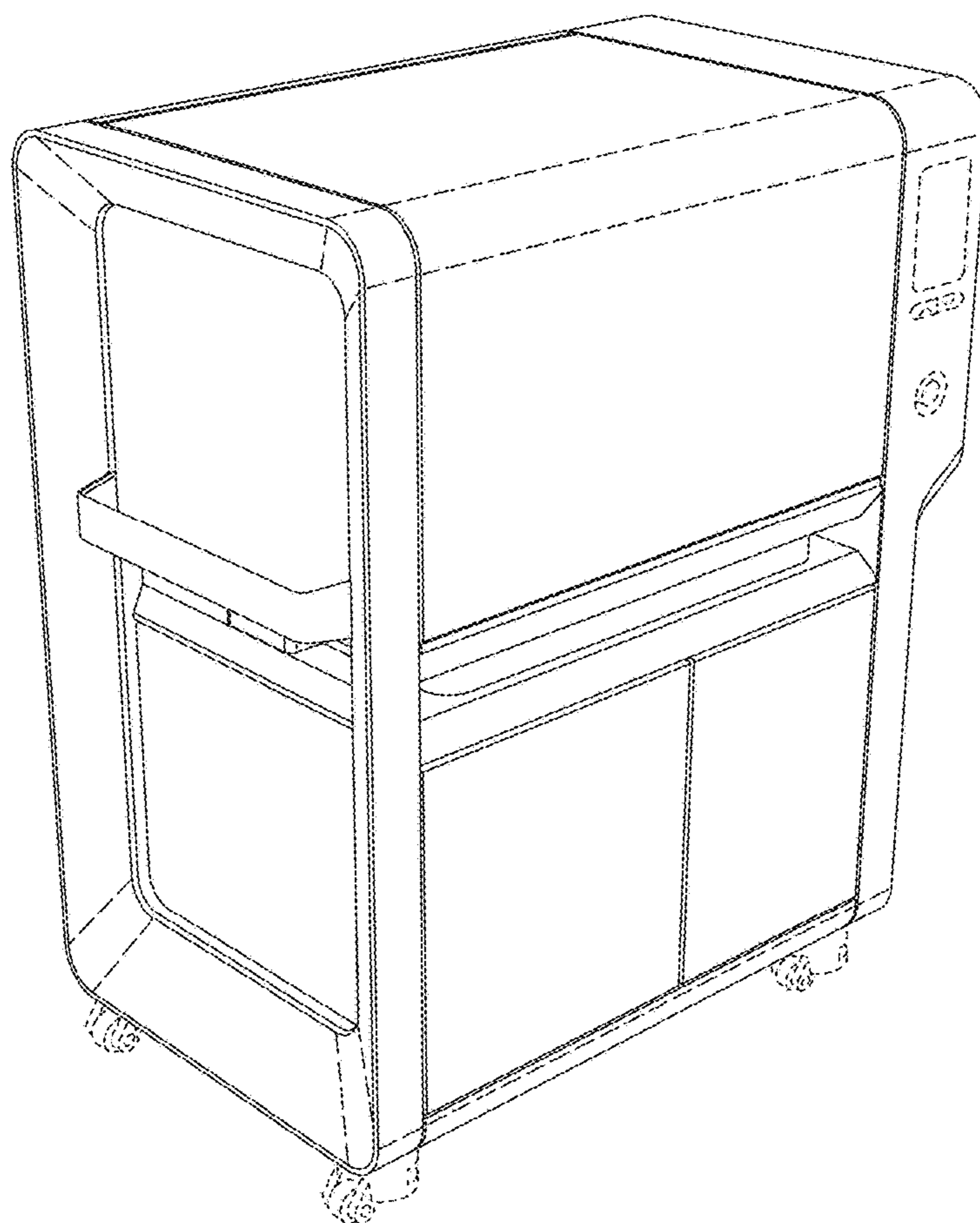


FIG. 1

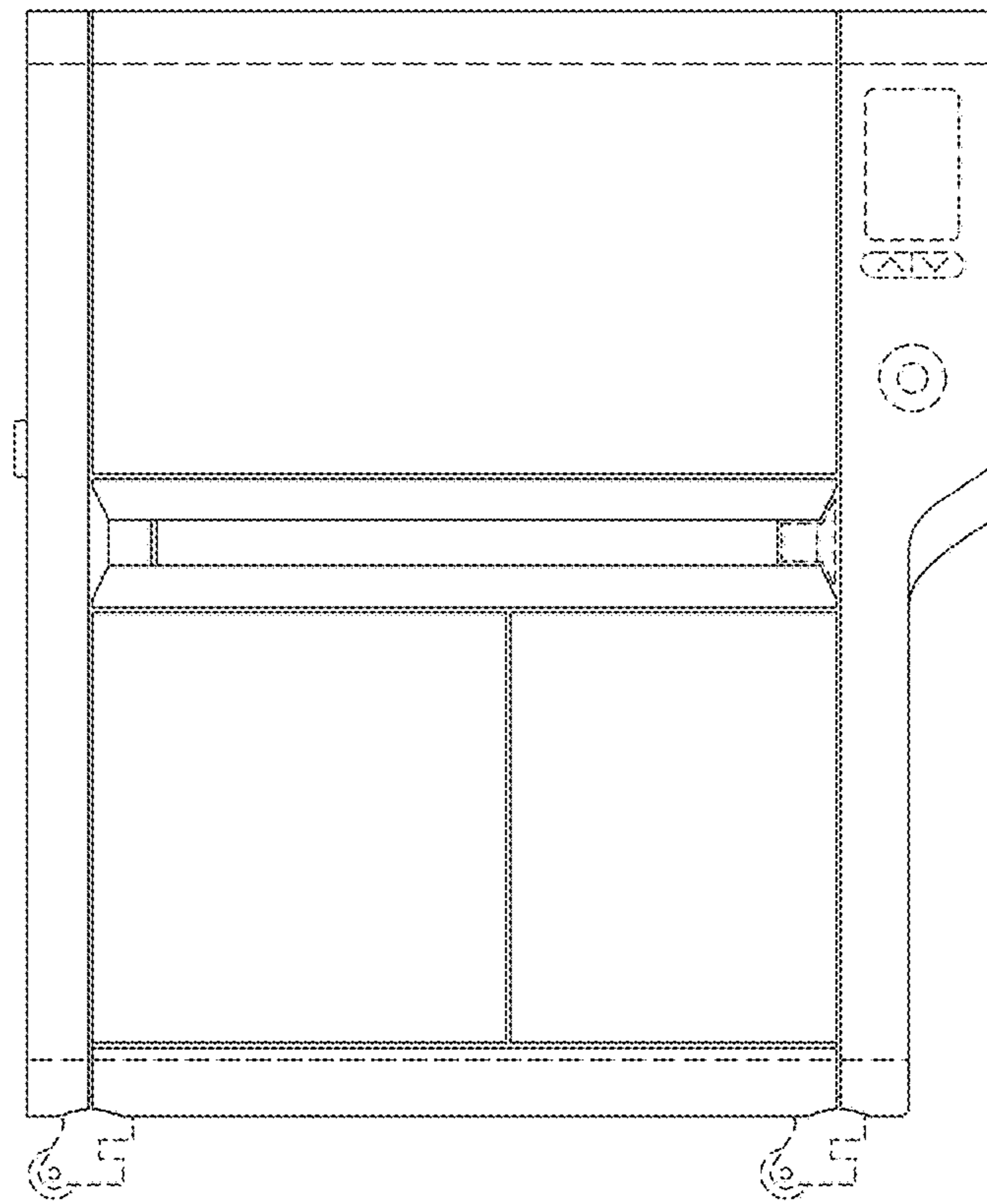


FIG. 2

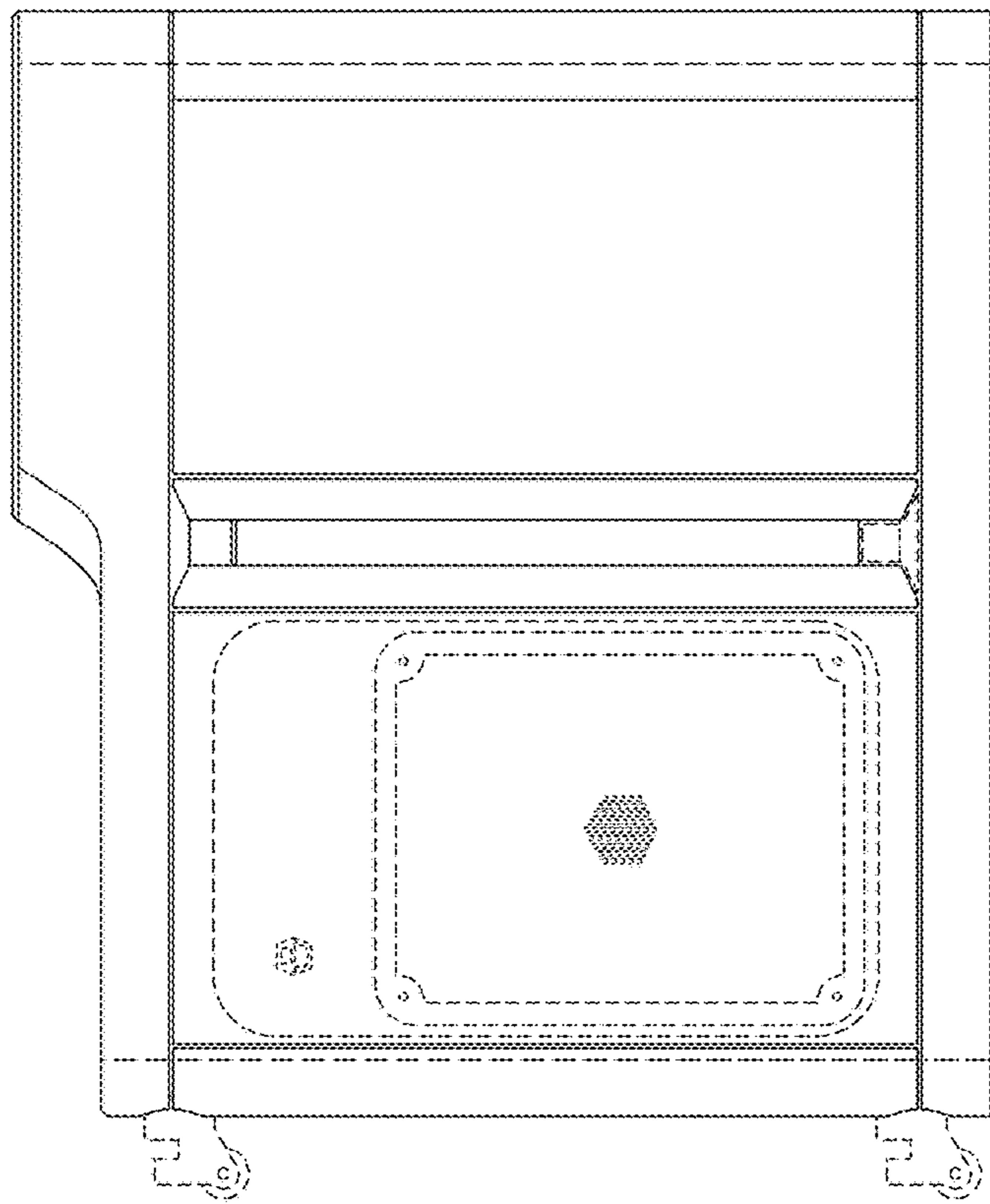


FIG. 3



FIG. 4

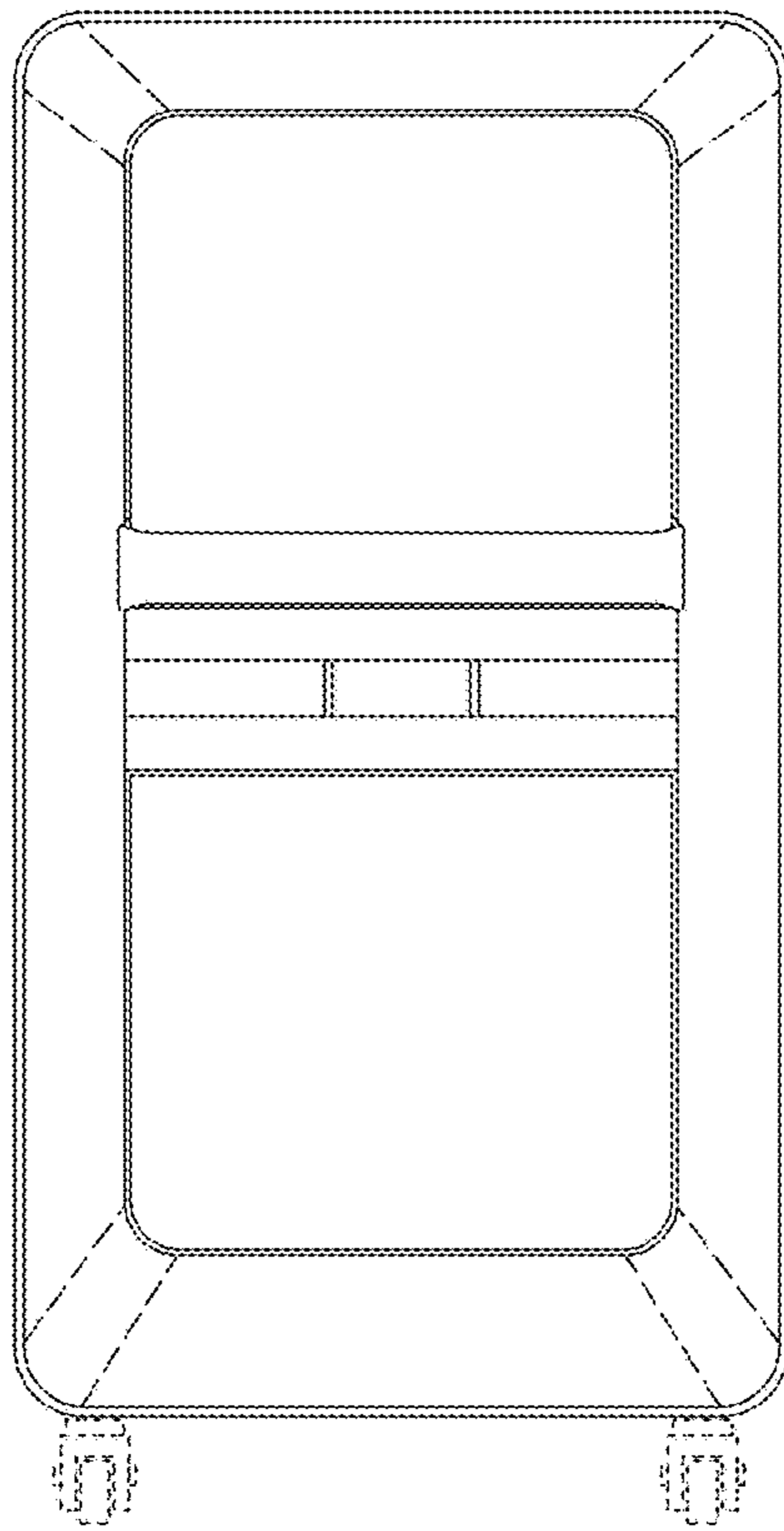


FIG. 5

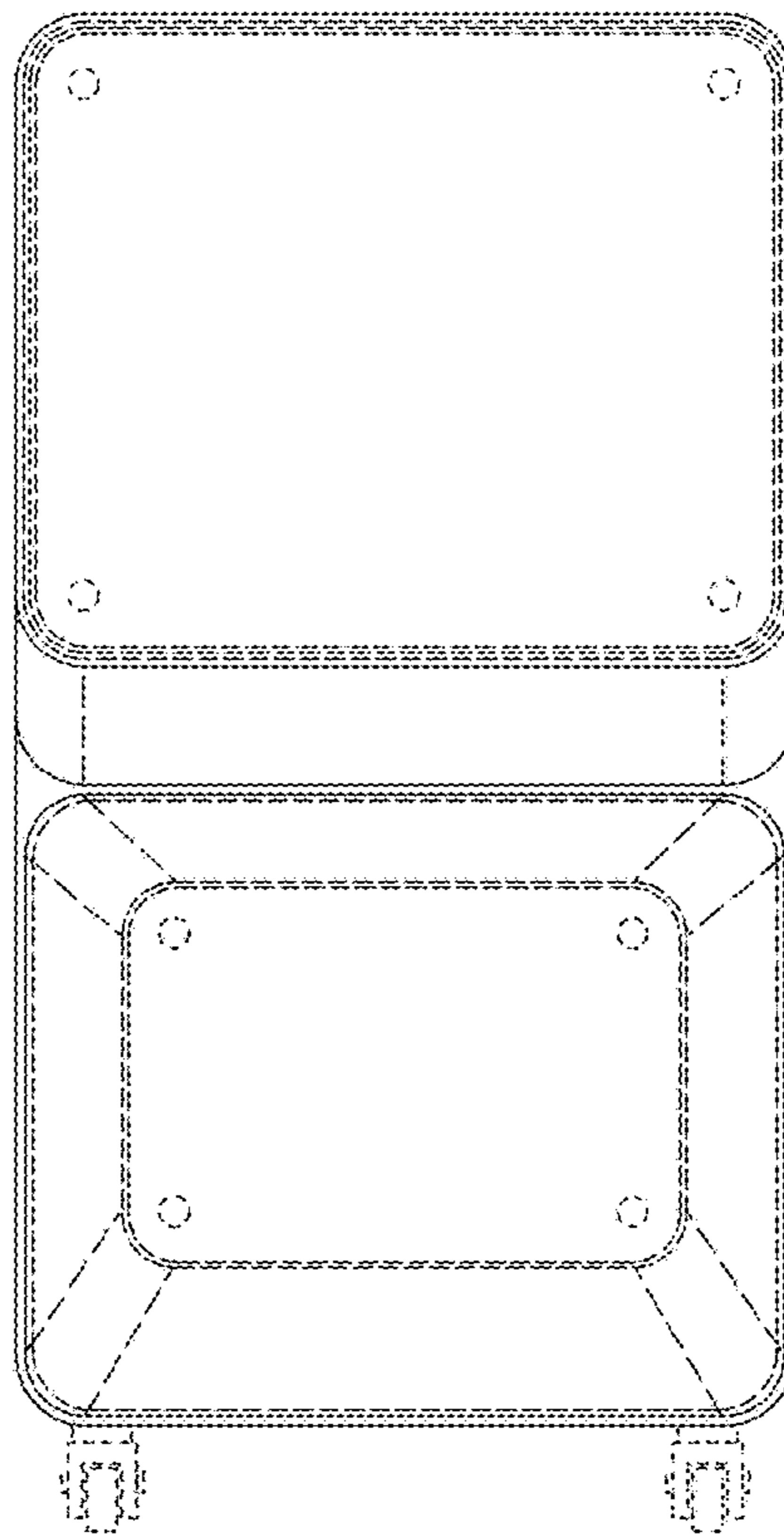


FIG. 6