



US00D868227S

(12) **United States Design Patent**  
**Rejkowski et al.**

(10) **Patent No.:** **US D868,227 S**

(45) **Date of Patent:** **\*\* Nov. 26, 2019**

(54) **ACCESSORY MOUNT FOR VEHICLE HEATING AND AIR CONDITIONING SYSTEMS**

(71) Applicants: **Michael W Rejkowski**, Irving, TX (US); **Stephen J Sexton**, McKinney, TX (US)

(72) Inventors: **Michael W Rejkowski**, Irving, TX (US); **Stephen J Sexton**, McKinney, TX (US)

(73) Assignee: **Classic Auto Air Manufacturing LP**, Beachwood, OH (US)

(\*\*) Term: **15 Years**

(21) Appl. No.: **29/630,381**

(22) Filed: **Dec. 20, 2017**

(51) **LOC (12) Cl.** ..... **12-16**

(52) **U.S. Cl.**  
USPC ..... **D23/324**

(58) **Field of Classification Search**  
USPC ..... D23/324, 325, 327, 393, 386; D12/415, D12/190, 192, 195; D8/349, 350, 353  
CPC ..... B60H 1/00542; B60H 1/0055; B60H 1/00357; B60H 1/00271; B60H 1/34; B60H 1/3407; B60H 1/3442; B60H 1/3428

See application file for complete search history.

(56) **References Cited**

**U.S. PATENT DOCUMENTS**

- D123,418 S \* 11/1940 Pellegrin ..... D8/350
- D192,805 S \* 5/1962 Grieshaber ..... D8/350
- D194,159 S \* 11/1962 Russell et al. .... D8/353
- 6,066,225 A \* 5/2000 Lopes ..... B29C 45/1671  
156/245
- D445,049 S \* 7/2001 Lee ..... D10/103

- 6,315,354 B1 \* 11/2001 Tani ..... B60H 1/00207  
296/208
- D451,590 S \* 12/2001 Webb ..... D23/393
- D451,591 S \* 12/2001 Webb ..... D23/393
- 6,464,579 B1 \* 10/2002 Salazar ..... F24F 13/065  
454/202
- 6,508,704 B1 \* 1/2003 Wilson ..... F24F 13/082  
454/277
- D723,144 S \* 2/2015 Rejkowski ..... D23/324
- 2004/0046424 A1 \* 3/2004 Nakajima ..... B60H 1/00542  
296/208

(Continued)

*Primary Examiner* — T Chase Nelson

*Assistant Examiner* — Ania Aman

(57) **CLAIM**

The ornamental design for an accessory mount for vehicle heating and air conditioning systems, as shown and described.

**DESCRIPTION**

FIG. 1 is a perspective front view of an accessory mount for vehicle heating and air conditioning systems showing our new design;

FIG. 2 is a top plan view of the accessory mount for vehicle heating and air conditioning systems of FIG. 1;

FIG. 3 is a front elevation view of the accessory mount for vehicle heating and air conditioning systems of FIG. 1;

FIG. 4 is a right side elevation view of the accessory mount for vehicle heating and air conditioning systems of FIG. 1;

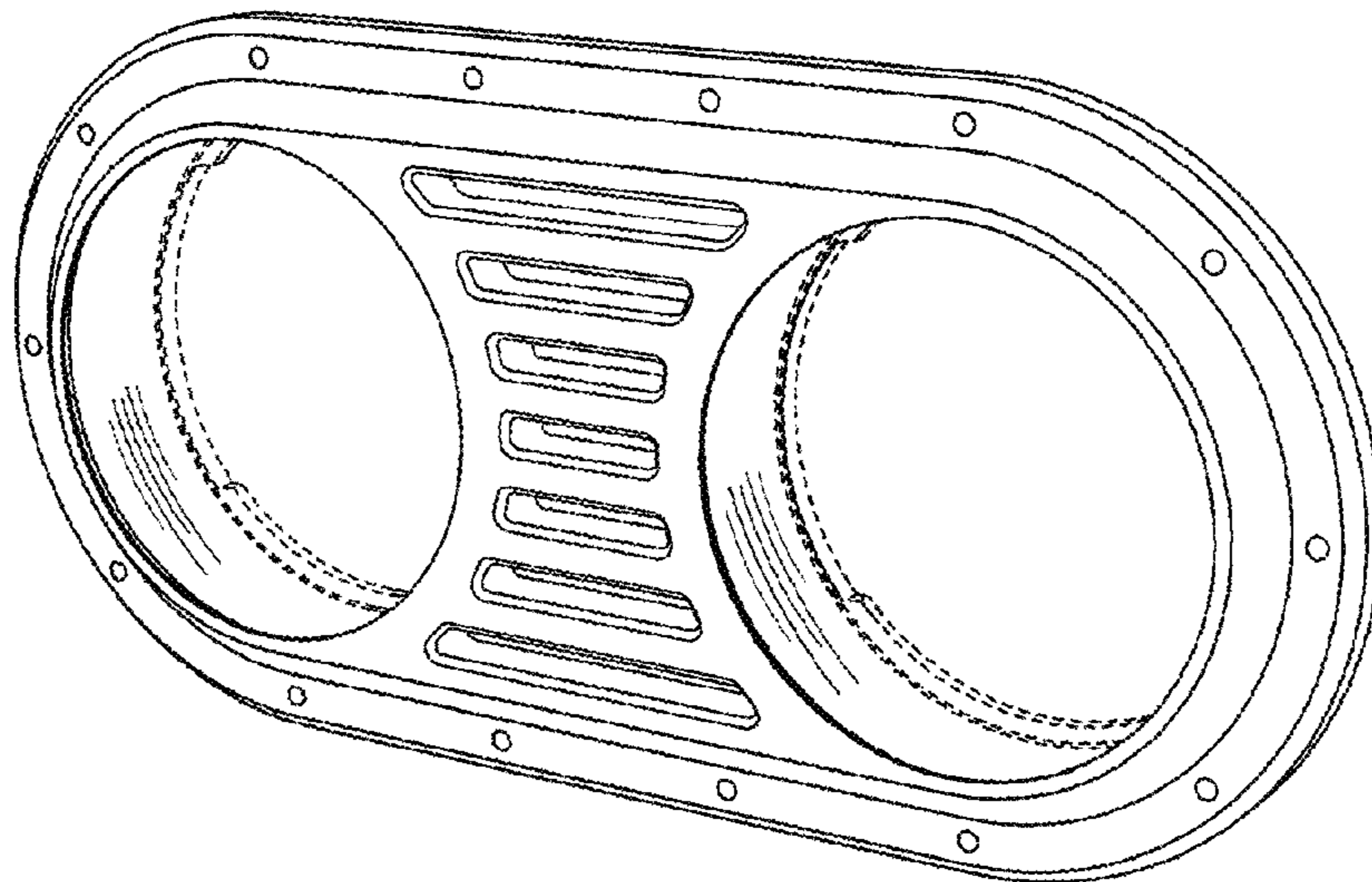
FIG. 5 is a left side elevation view of the accessory mount for vehicle heating and air conditioning systems of FIG. 1;

FIG. 6 is a bottom plan view of the accessory mount for vehicle heating and air conditioning systems of FIG. 1; and,

FIG. 7 is a rear elevation view of the accessory mount for vehicle heating and air conditioning systems of FIG. 1.

In the drawings, the broken lines depict unclaimed subject matter only and form no part of the claimed design.

**1 Claim, 2 Drawing Sheets**



(56)

**References Cited**

U.S. PATENT DOCUMENTS

2006/0175422 A1\* 8/2006 Hall ..... H01H 19/11  
236/91 D

\* cited by examiner

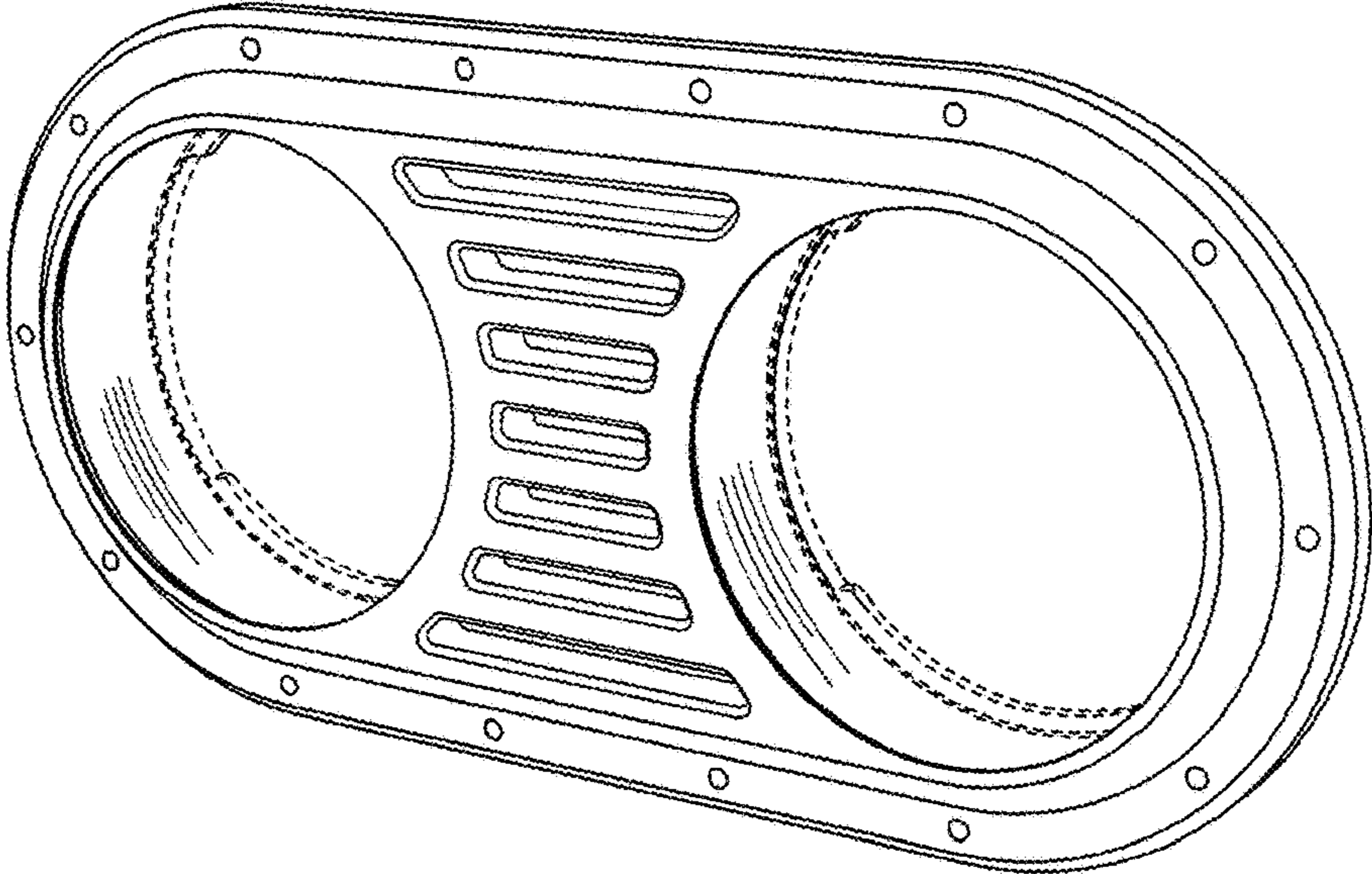


Fig.1

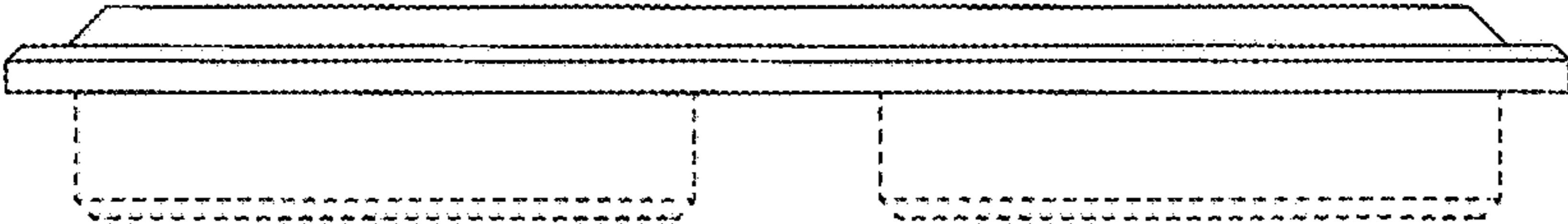


Fig.2

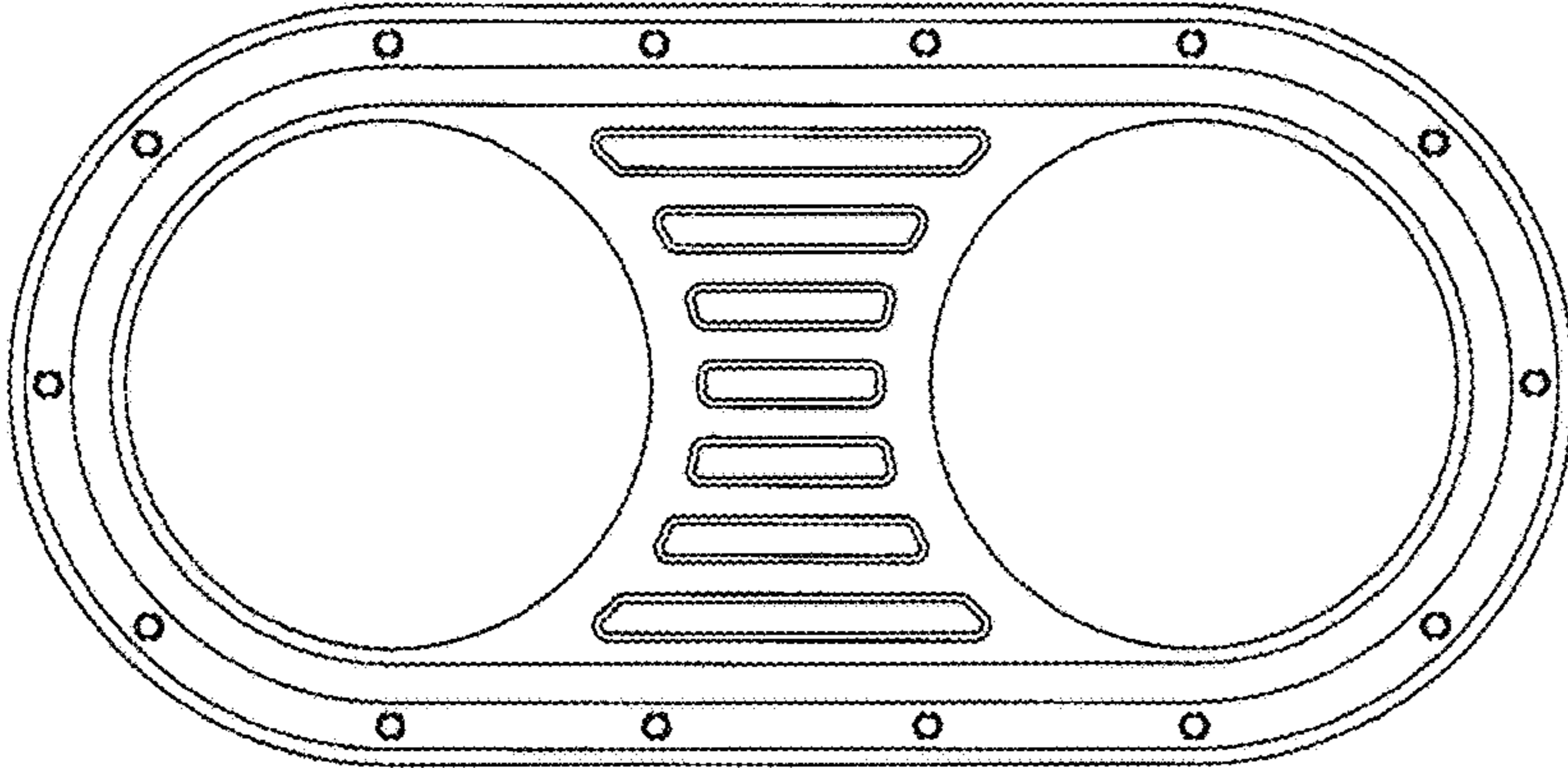


Fig.3

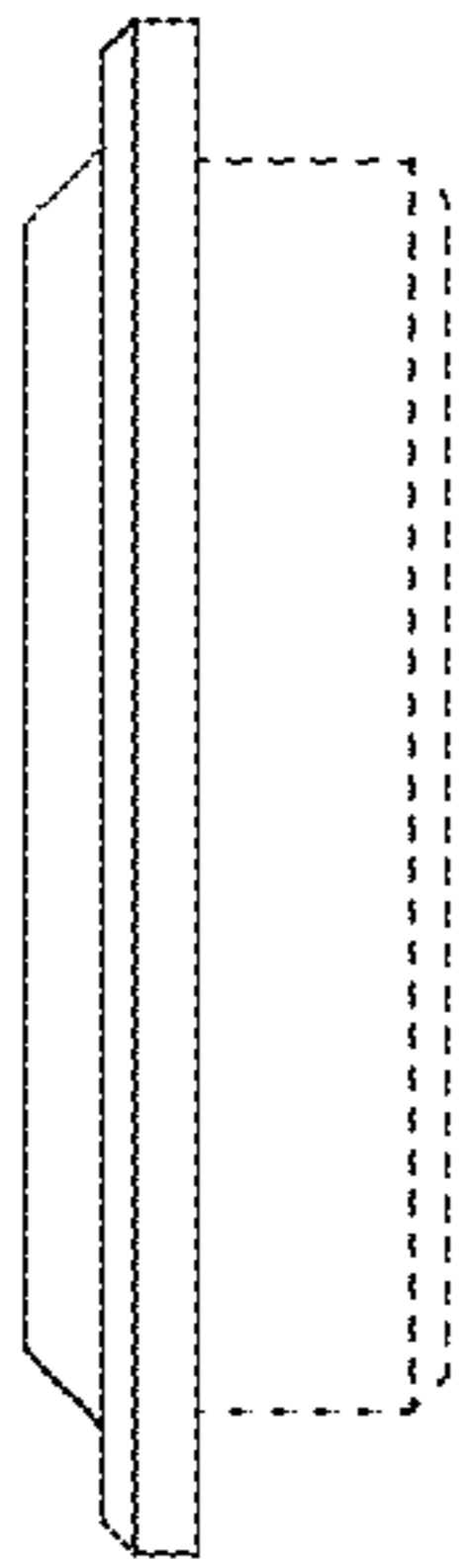


Fig. 4

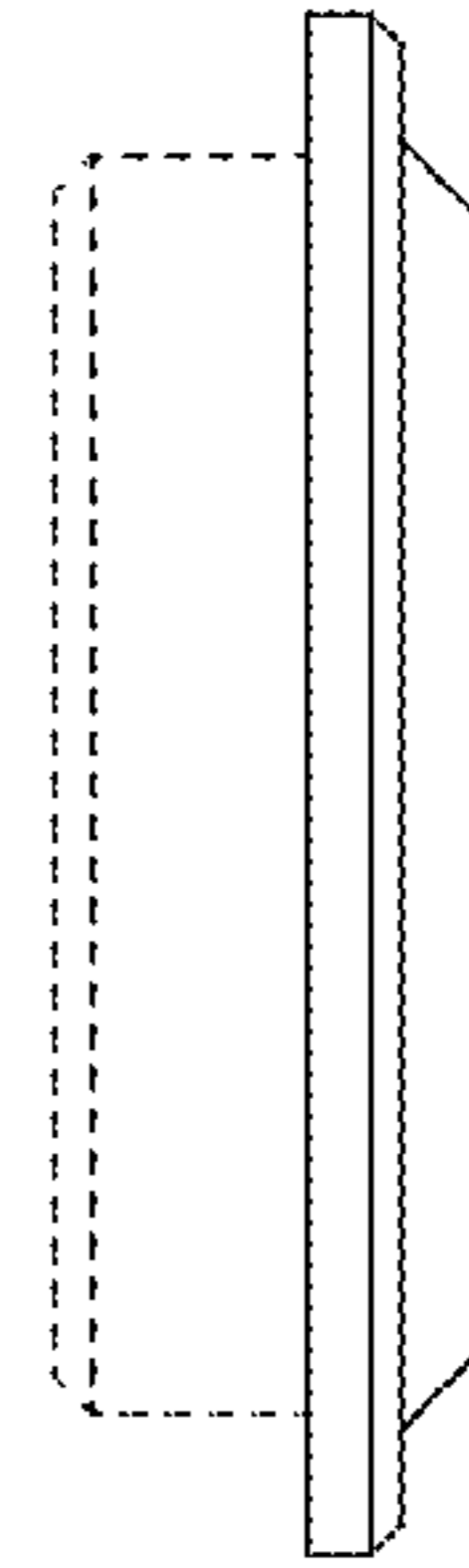


Fig. 5

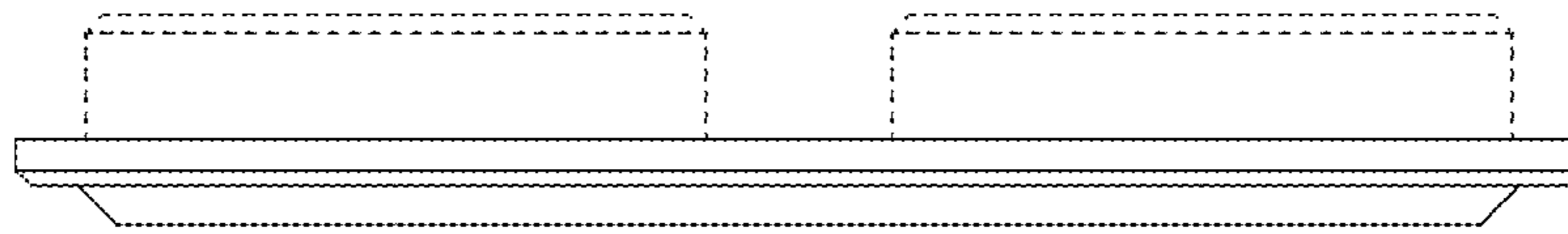


Fig. 6

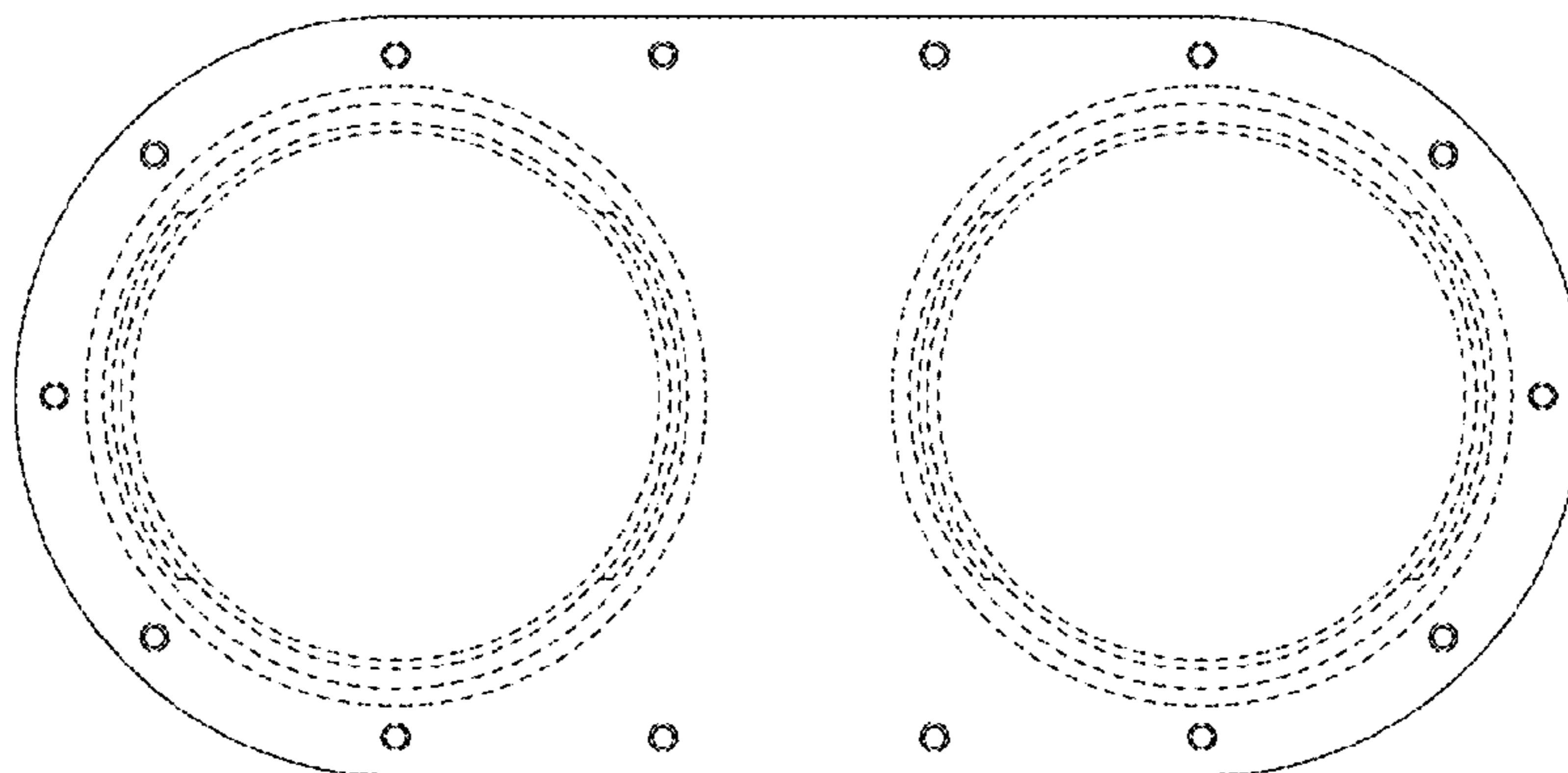


Fig. 7