



US00D868226S

(12) **United States Design Patent** (10) **Patent No.:** **US D868,226 S**  
**Sakae** (45) **Date of Patent:** **\*\* Nov. 26, 2019**

(54) **HEAT EXCHANGER TUBE**  
(71) Applicant: **Kobe Steel, Ltd.**, Kobe-shi (JP)  
(72) Inventor: **Akira Sakae**, Kobe (JP)  
(73) Assignee: **Kobe Steel, Ltd.**, Kobe-shi (JP)  
(\*\*) Term: **15 Years**

(21) Appl. No.: **29/545,576**

(22) Filed: **Nov. 13, 2015**

(30) **Foreign Application Priority Data**

May 21, 2015 (JP) ..... D2015-011157

(51) **LOC (12) Cl.** ..... **23-03**

(52) **U.S. Cl.**  
USPC ..... **D23/323**; D23/341

(58) **Field of Classification Search**  
USPC ..... D23/314, 318, 322, 323, 332, 341;  
D15/4, 6

CPC ..... F28F 1/16; F28F 1/18; F28F 1/12; F28F  
1/105; F28F 1/10; F28F 2255/16; F28F  
1/20; B23P 15/26; B29C 47/908; F28D  
1/00; Y10T 29/4938; Y10T 29/49378;  
Y10T 29/49382; Y10T 29/49385

See application file for complete search history.

(56) **References Cited**

U.S. PATENT DOCUMENTS

1,821,434 A \* 9/1931 Hamilton ..... F02F 1/06  
123/41.68  
2,826,672 A \* 3/1958 Brown, Jr. .... B21D 53/08  
219/81  
4,036,286 A \* 7/1977 Anderson ..... E02D 3/115  
165/45  
9,448,012 B2 \* 9/2016 Chen ..... F28F 1/40  
9,906,001 B2 \* 2/2018 Karandikar ..... H02B 1/56  
2004/0190245 A1 \* 9/2004 Tirumala ..... H01L 23/3672  
361/690

2009/0195062 A1 \* 8/2009 Uchida ..... B62D 55/12  
305/169  
2010/0264799 A1 \* 10/2010 Liu ..... F21V 29/006  
313/46  
2013/0048257 A1 \* 2/2013 Perry ..... F28D 1/04  
165/154  
2013/0062041 A1 3/2013 Sakae et al.  
2013/0292094 A1 \* 11/2013 Omori ..... F28D 15/025  
165/104.21  
2014/0034278 A1 \* 2/2014 Lin ..... B23P 15/26  
165/185

(Continued)

FOREIGN PATENT DOCUMENTS

JP 05-164496 6/1993  
JP 2005077035 A \* 3/2005 ..... C23C 28/00

(Continued)

*Primary Examiner* — T Chase Nelson

*Assistant Examiner* — Ania Aman

(74) *Attorney, Agent, or Firm* — Oblon, McClelland,  
Maier & Neustadt, L.L.P.

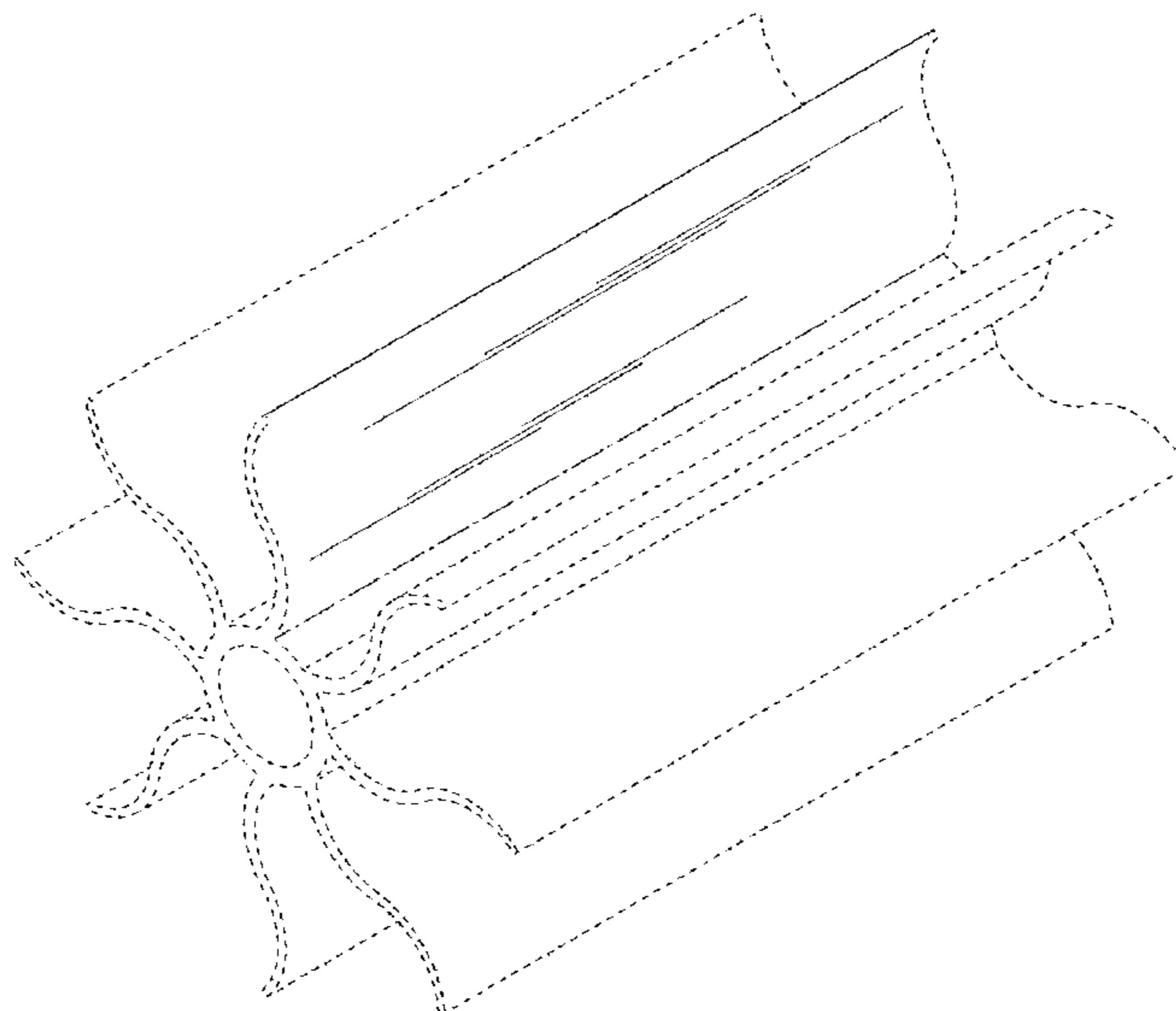
(57) **CLAIM**

The ornamental design for a heat exchanger tube, as shown  
and described.

**DESCRIPTION**

FIG. 1 is a perspective view of a heat exchanger tube;  
FIG. 2 is a front view thereof;  
FIG. 3 is a rear view thereof;  
FIG. 4 is a left side view thereof, the opposite side being a  
mirror image of the side shown herein; and,  
FIG. 5 is a top view thereof.  
In the drawings, the broken lines depict portions of the heat  
exchanger tube that are environmental subject matter only  
and form no part of the claimed design.  
The dashed lines show a boundary between the claimed  
design and unclaimed portions.

**1 Claim, 5 Drawing Sheets**



(56)

**References Cited**

U.S. PATENT DOCUMENTS

2015/0360332 A1\* 12/2015 Singh ..... F28D 7/10  
29/890.046  
2016/0010601 A1\* 1/2016 Kinsey, Jr. .... F02M 35/02433  
55/484  
2017/0001943 A1\* 1/2017 Gautam ..... F28F 1/40  
2017/0336073 A1\* 11/2017 Weir ..... F23J 15/06

FOREIGN PATENT DOCUMENTS

RU 85308 5/2013  
WO WO-2017016647 A1\* 2/2017 ..... F16F 9/18

\* cited by examiner

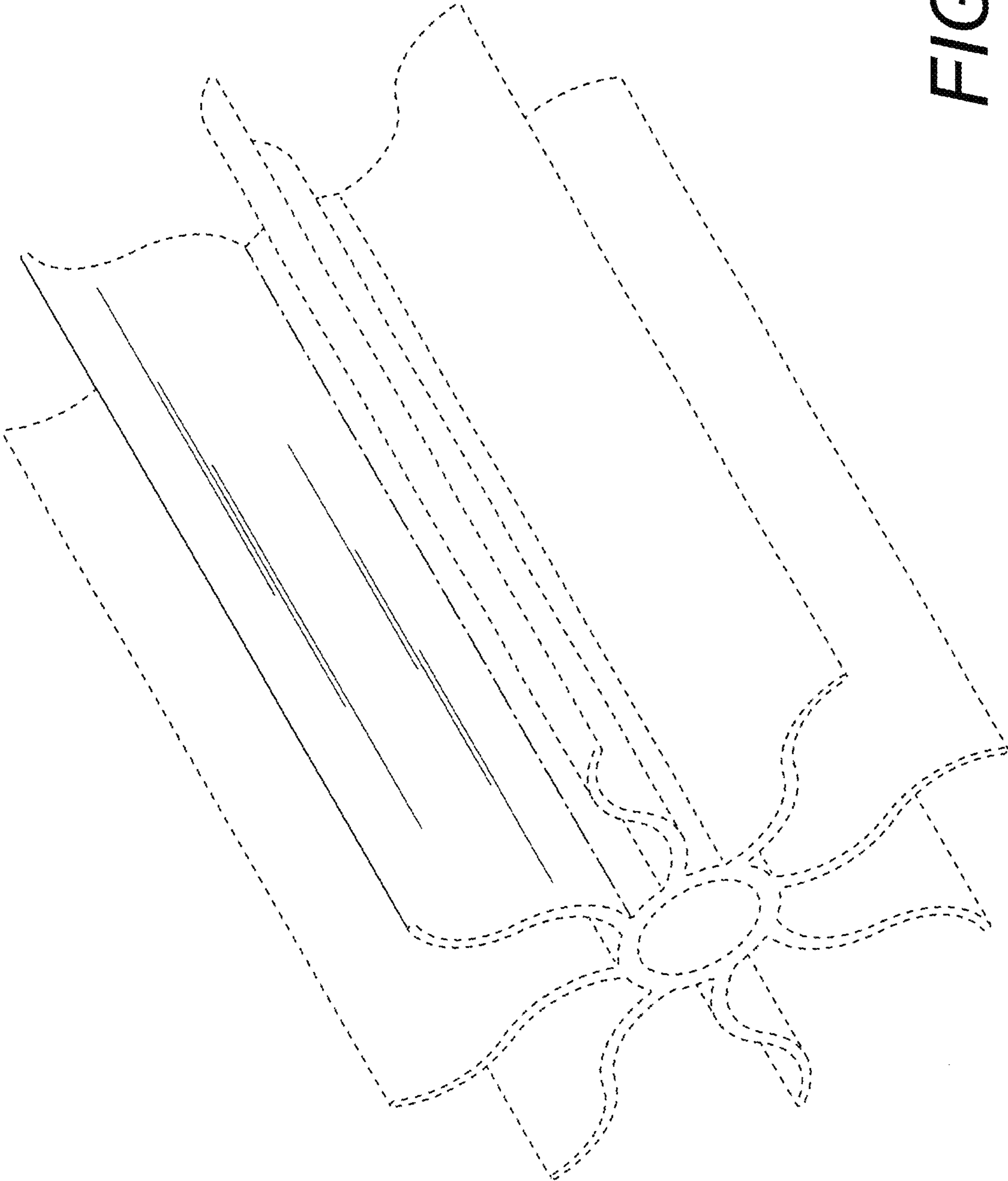


FIG. 1

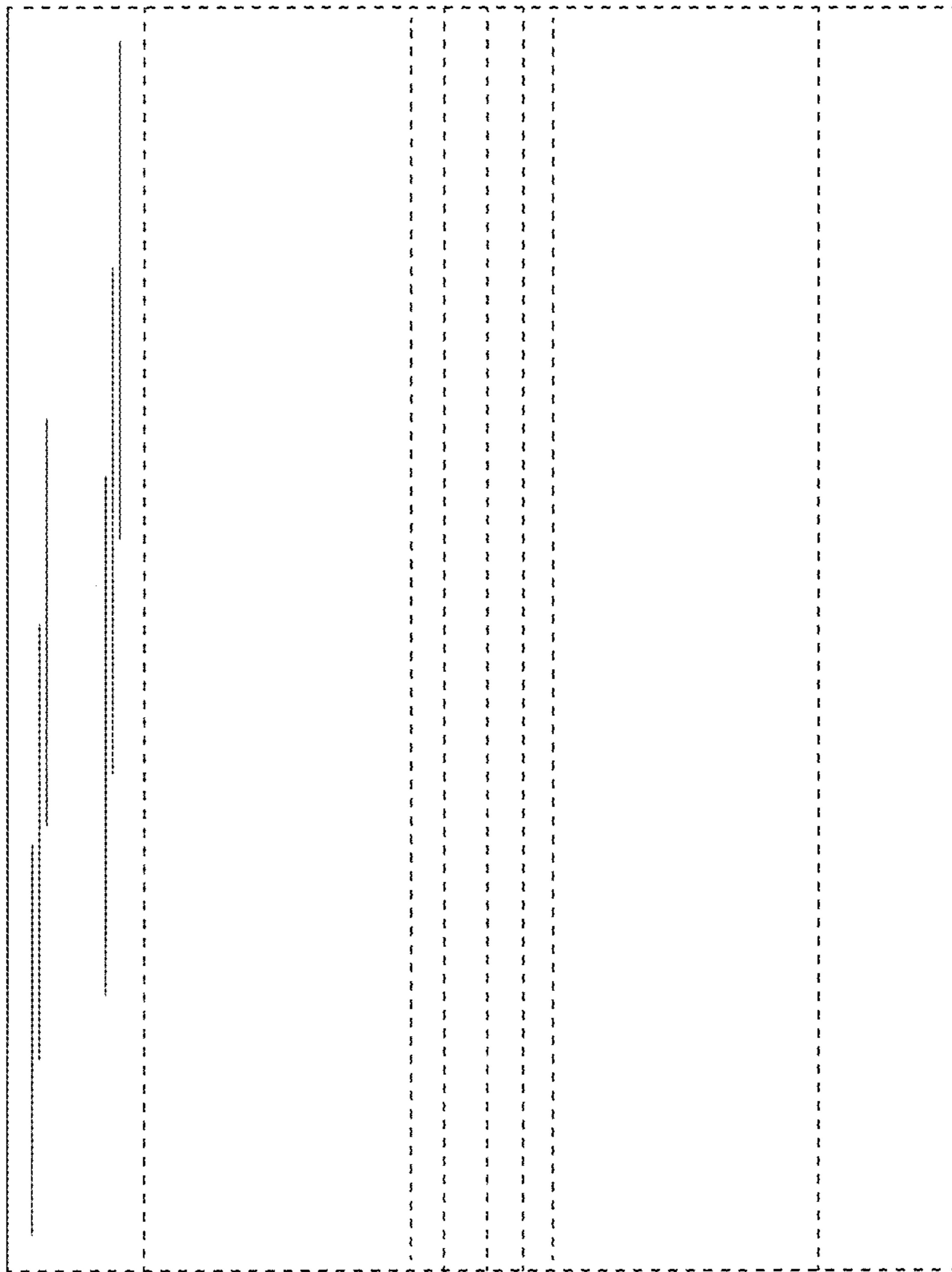


FIG. 2

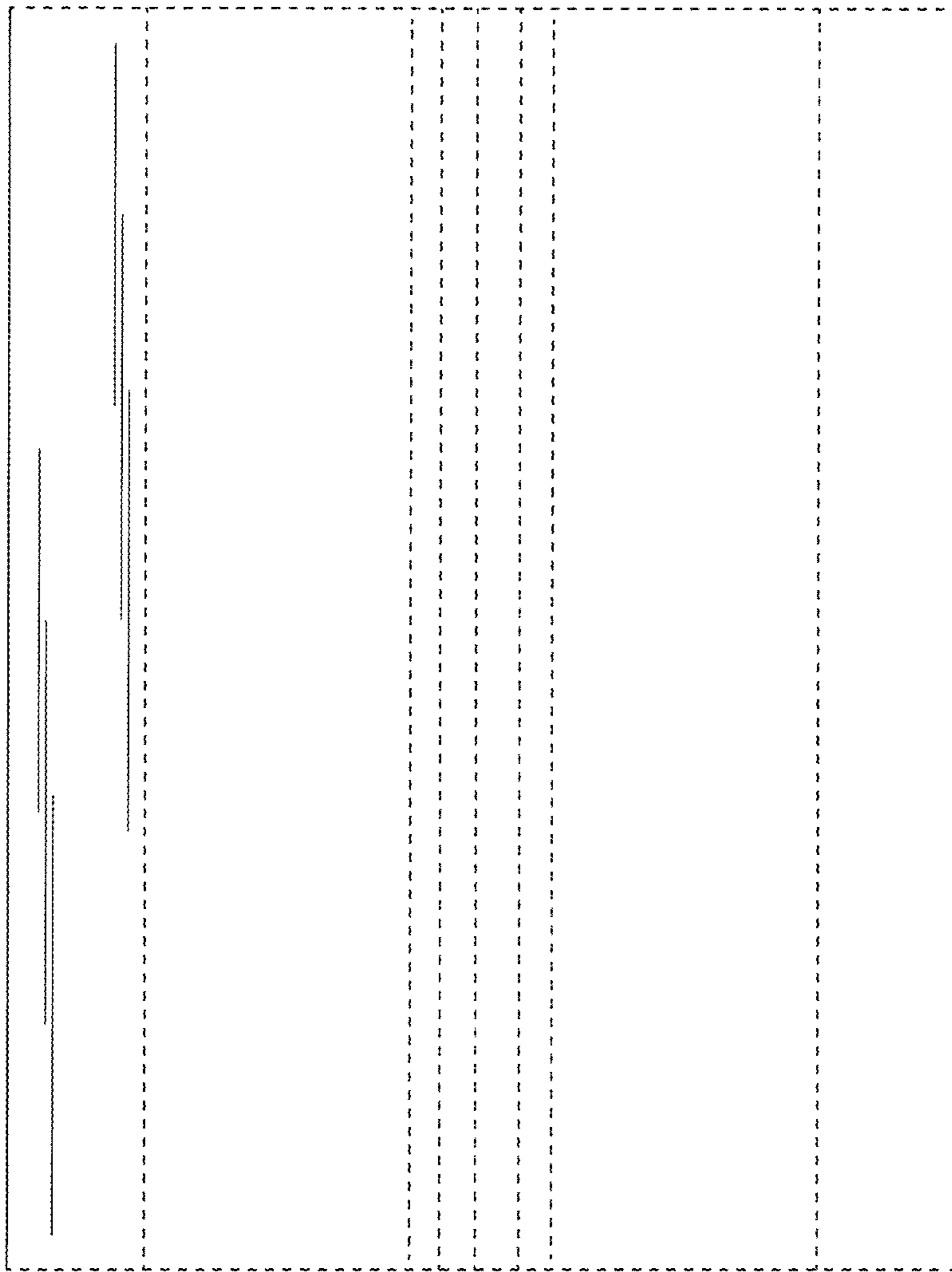


FIG. 3

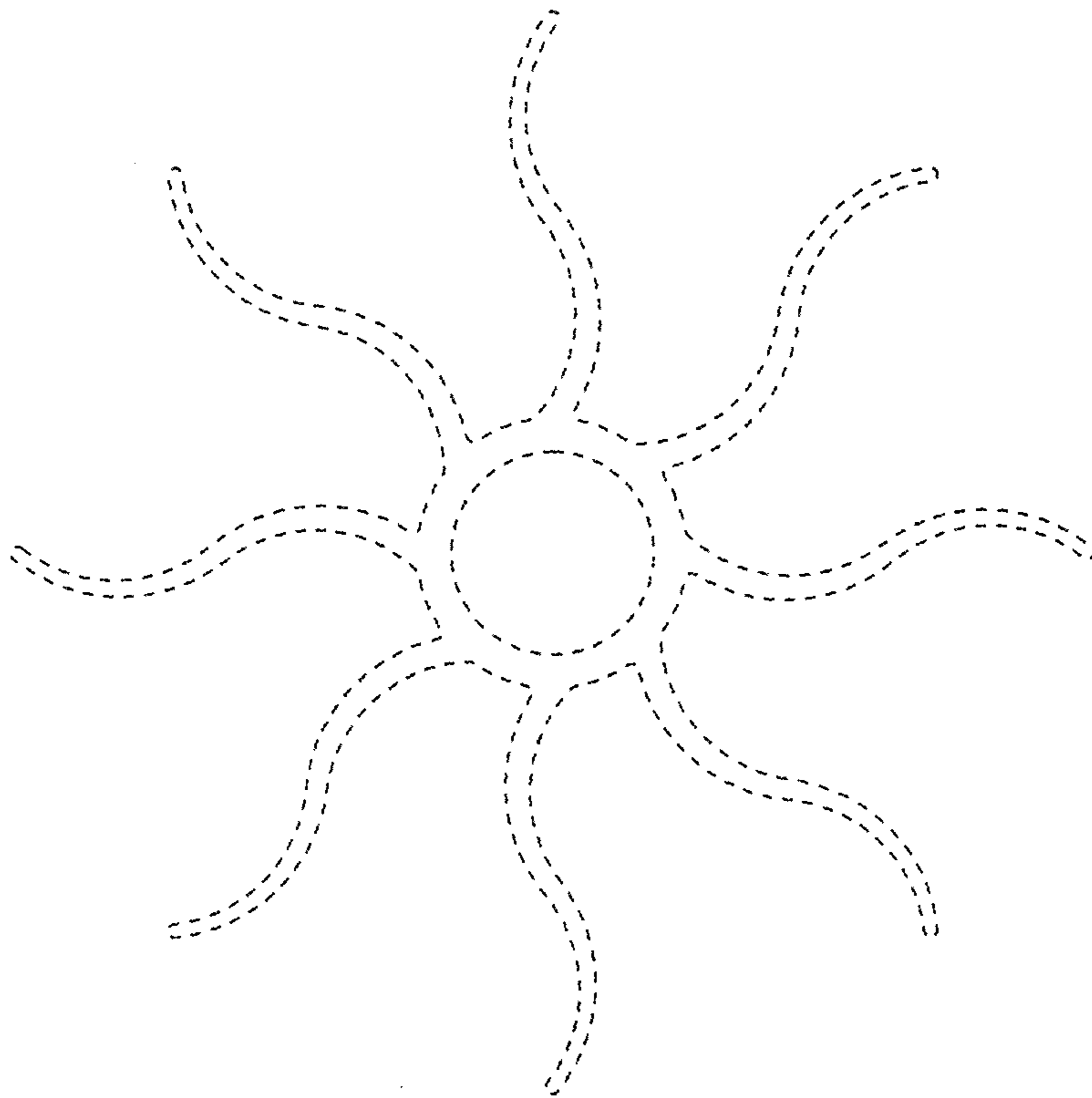


FIG.4

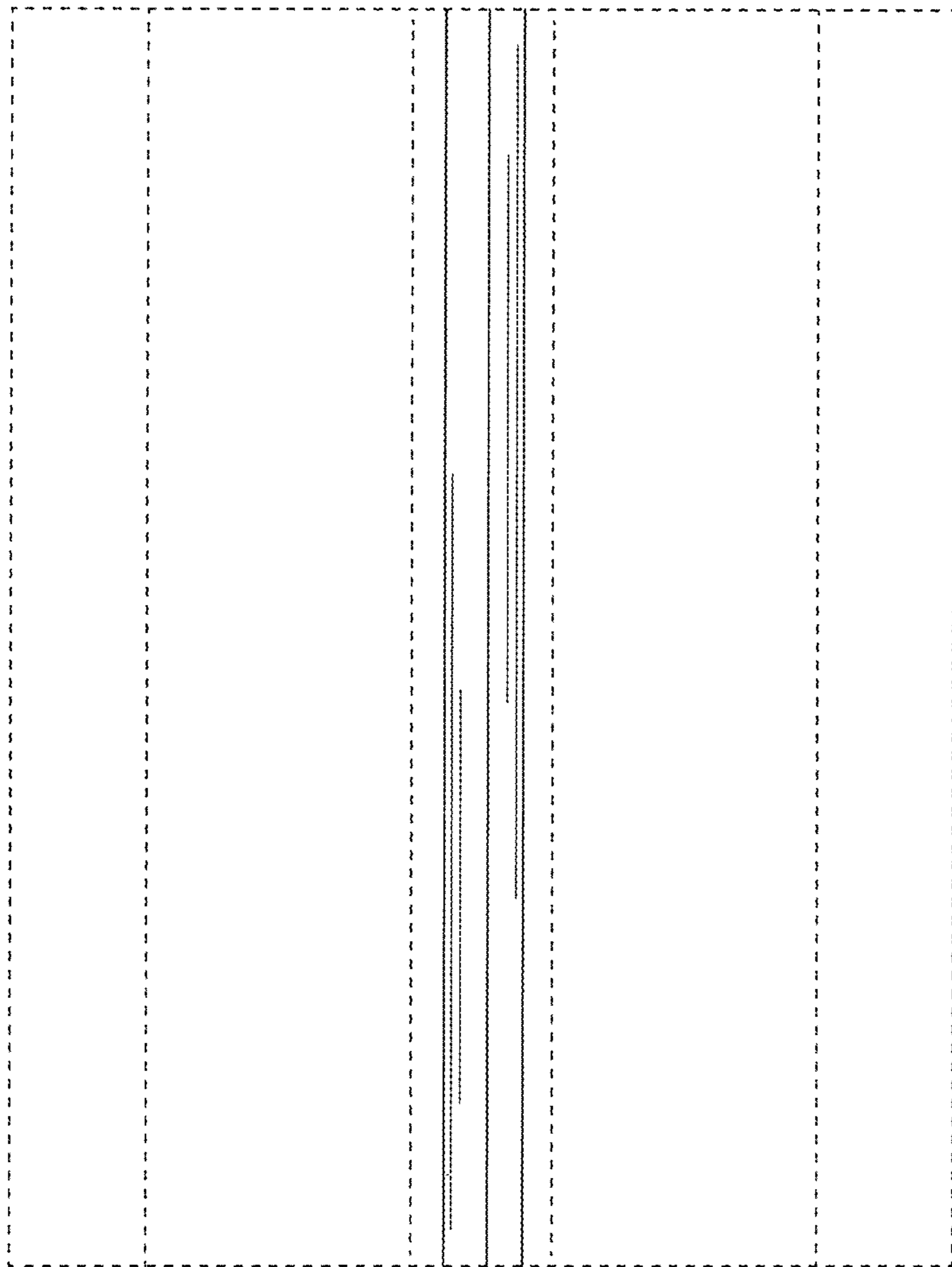


FIG. 5