



US00D868217S

(12) **United States Design Patent**
Chen

(10) **Patent No.:** **US D868,217 S**

(45) **Date of Patent:** **** Nov. 26, 2019**

(54) **FAUCET HANDLE**

(71) Applicant: **Yuangao Chen**, Ruian (CN)

(72) Inventor: **Hui Chen**, Ruian (CN)

(**) Term: **15 Years**

(21) Appl. No.: **29/701,203**

(22) Filed: **Aug. 9, 2019**

(51) **LOC (12) Cl.** **23-01**

(52) **U.S. Cl.**
USPC **D23/252**

(58) **Field of Classification Search**
USPC D23/238, 241–243, 249, 255, 257, 250,
D23/252, 254; D8/307–308
See application file for complete search history.

(56) **References Cited**

U.S. PATENT DOCUMENTS

D325,772 S	4/1992	Carr	
D357,525 S *	4/1995	Fabian	D23/252
D429,521 S *	8/2000	Doughty	D23/250
D461,536 S *	8/2002	Singtoroj	D23/252
D468,405 S *	1/2003	McKeone	D23/249
D475,767 S *	6/2003	Yegyayan	D23/252
D495,782 S	9/2004	Lin	
D522,093 S *	5/2006	Fritz	D23/241
D529,137 S	9/2006	Chu et al.	

D549,303 S *	8/2007	Green	D23/255
D580,017 S	11/2008	Yegyayan et al.	
D817,456 S *	5/2018	Schaubach	D23/249
D857,170 S *	8/2019	Feng	D23/238

* cited by examiner

Primary Examiner — Robert A Delehanty

(74) *Attorney, Agent, or Firm* — Wayne V. Harper

(57) **CLAIM**

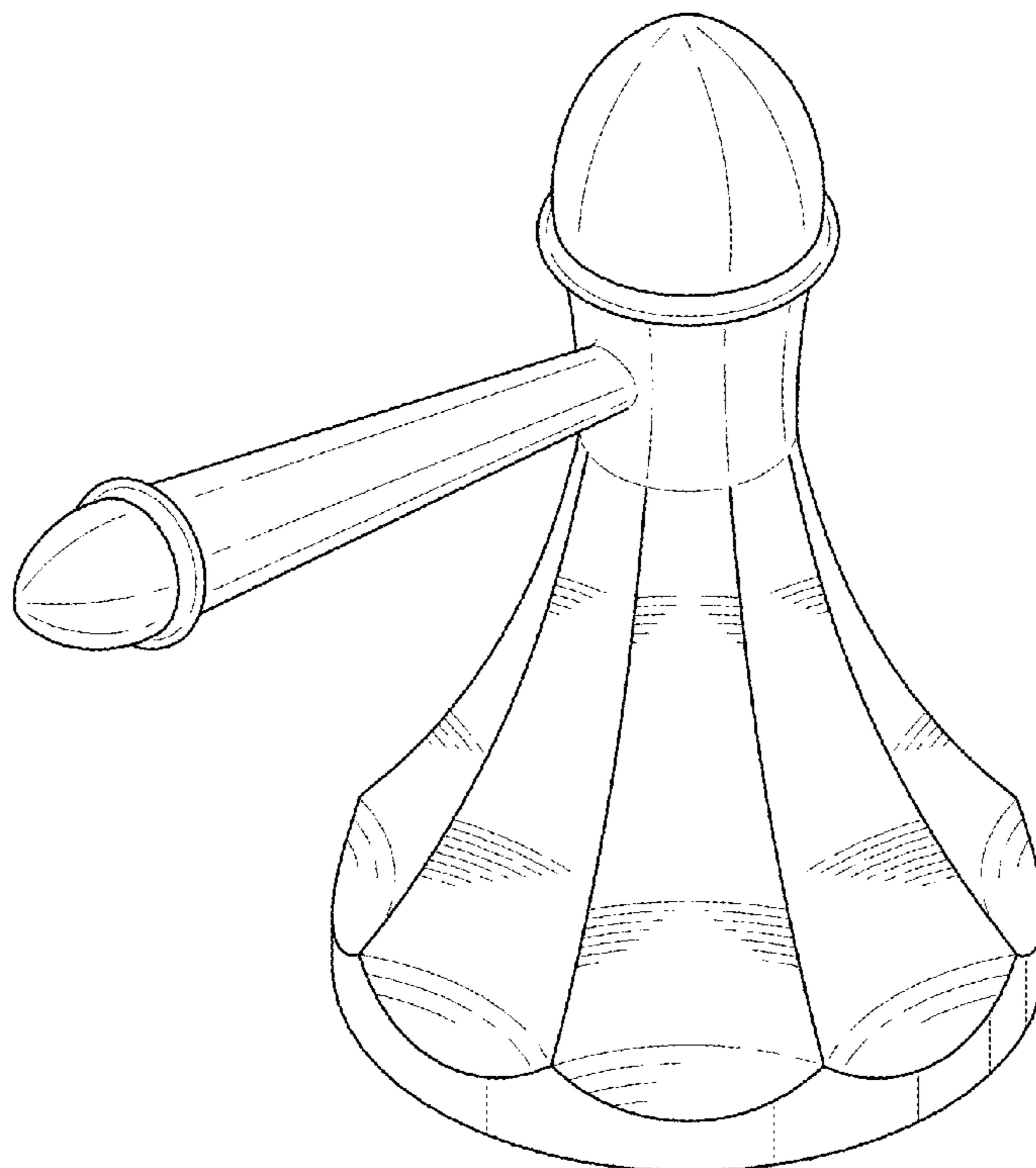
I claim the ornamental design for a faucet handle, as shown and described.

DESCRIPTION

FIG. 1 is a Perspective view of a faucet handle showing my new design;
 FIG. 2 is a Front view of the faucet handle as shown in FIG. 1;
 FIG. 3 is a Back view of the faucet handle as shown in FIG. 1;
 FIG. 4 is a Right-side view of the faucet handle as shown in FIG. 1;
 FIG. 5 is a Left-side view of the faucet handle as shown in FIG. 1;
 FIG. 6 is a Top view of the faucet handle as shown in FIG. 1; and,
 FIG. 7 is Bottom view of the faucet handle as shown in FIG. 1.

The broken lines are only for environmental purposes and form no part of the claimed design.

1 Claim, 7 Drawing Sheets



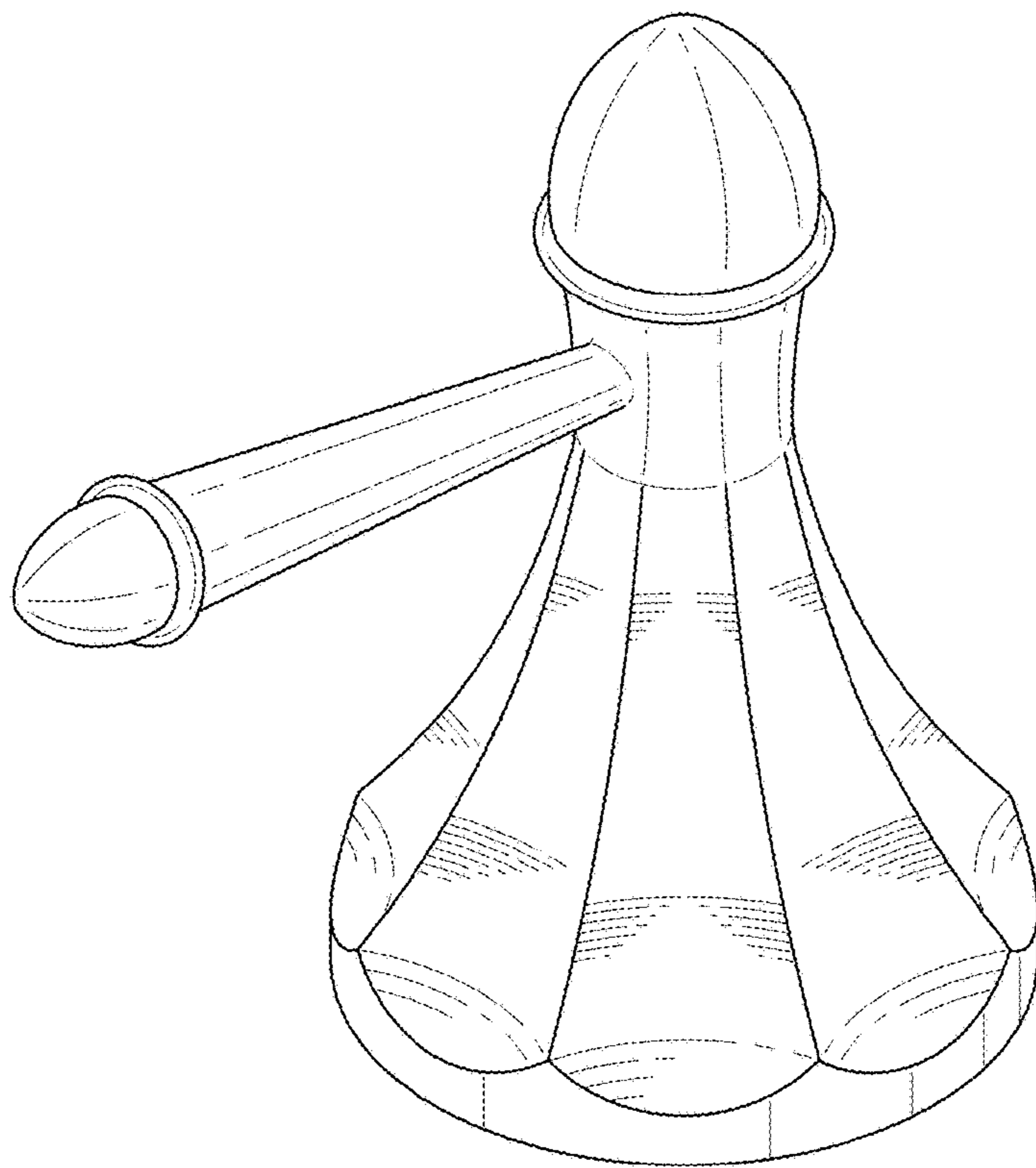


FIG. 1

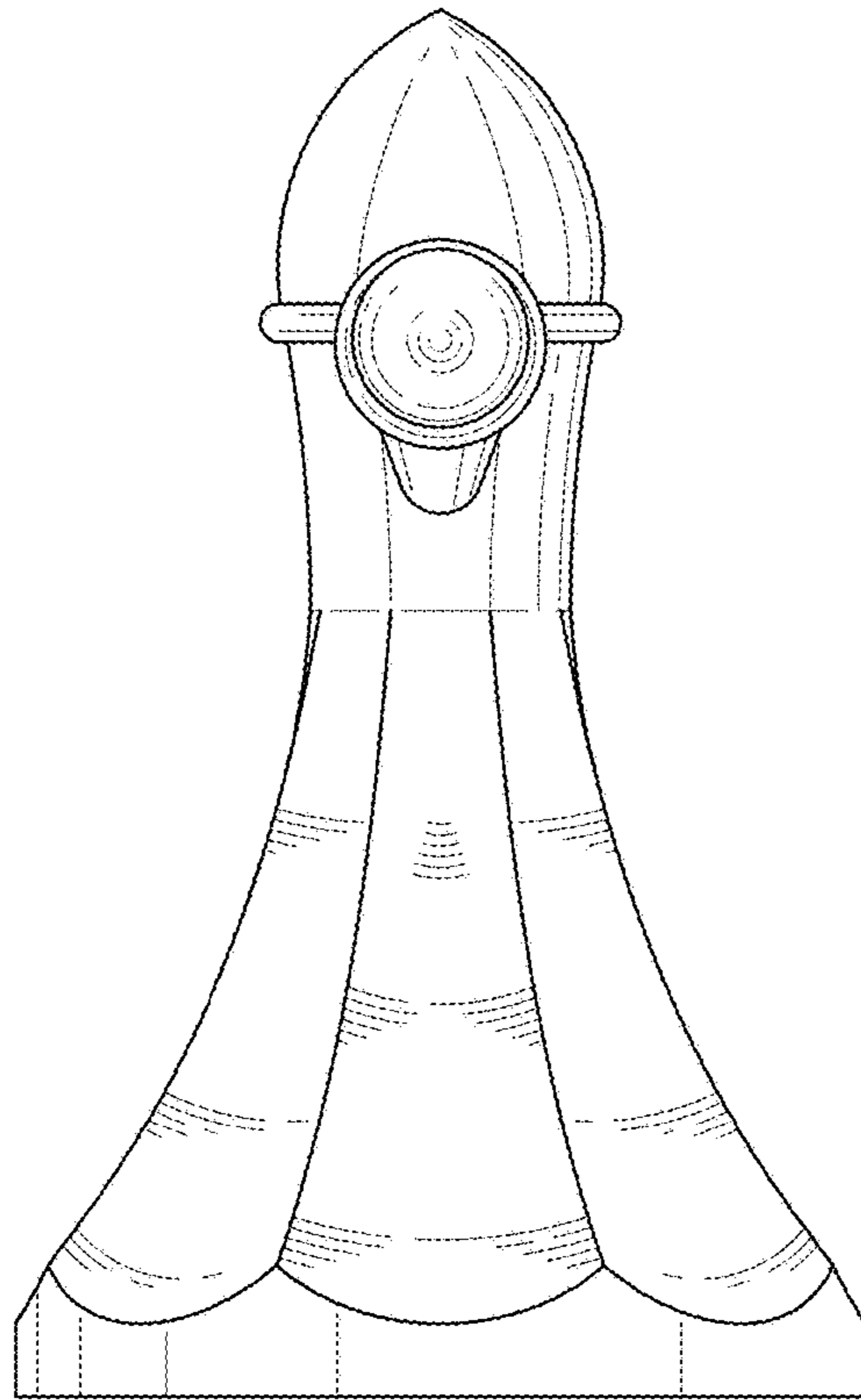


FIG. 2

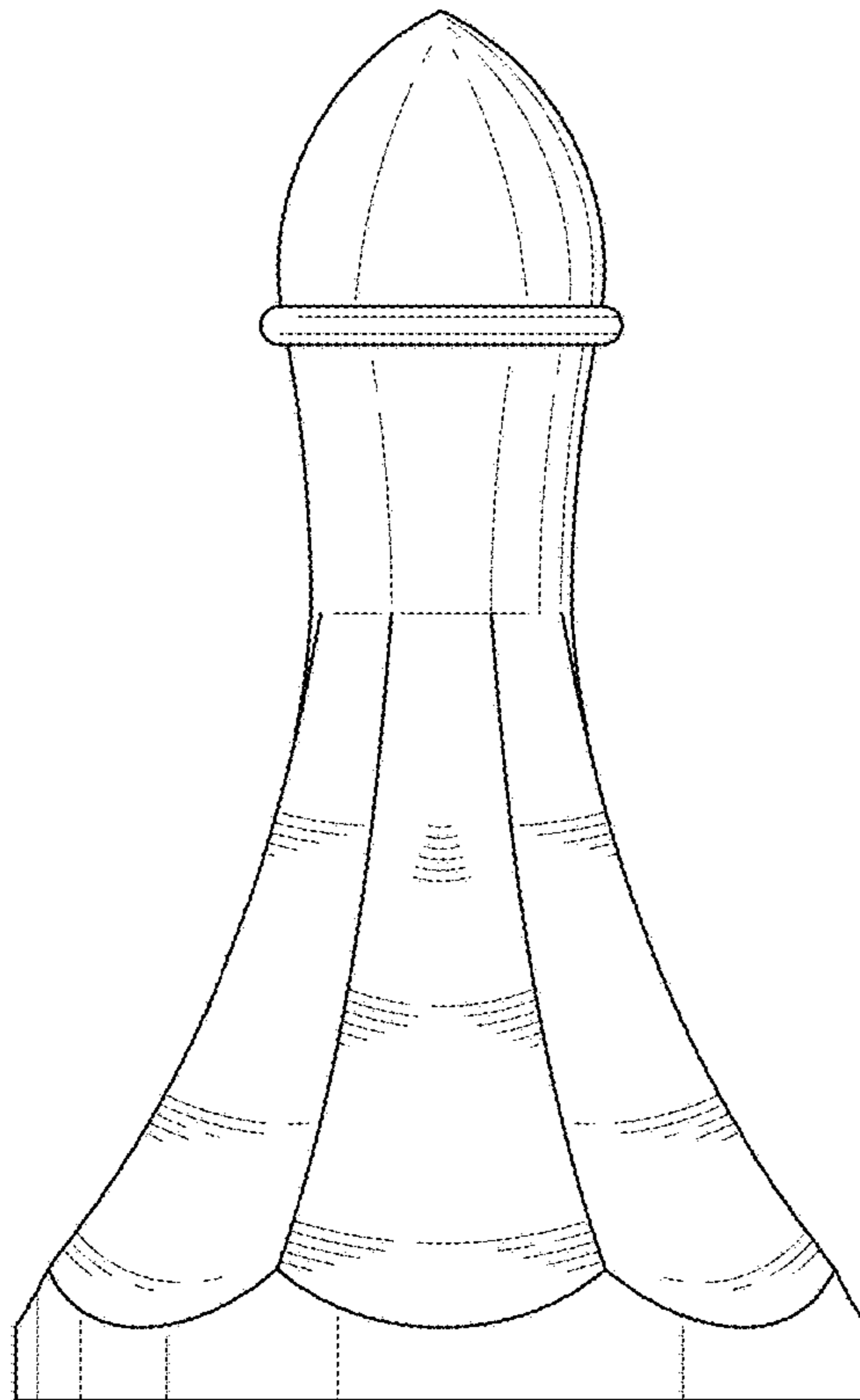


FIG. 3

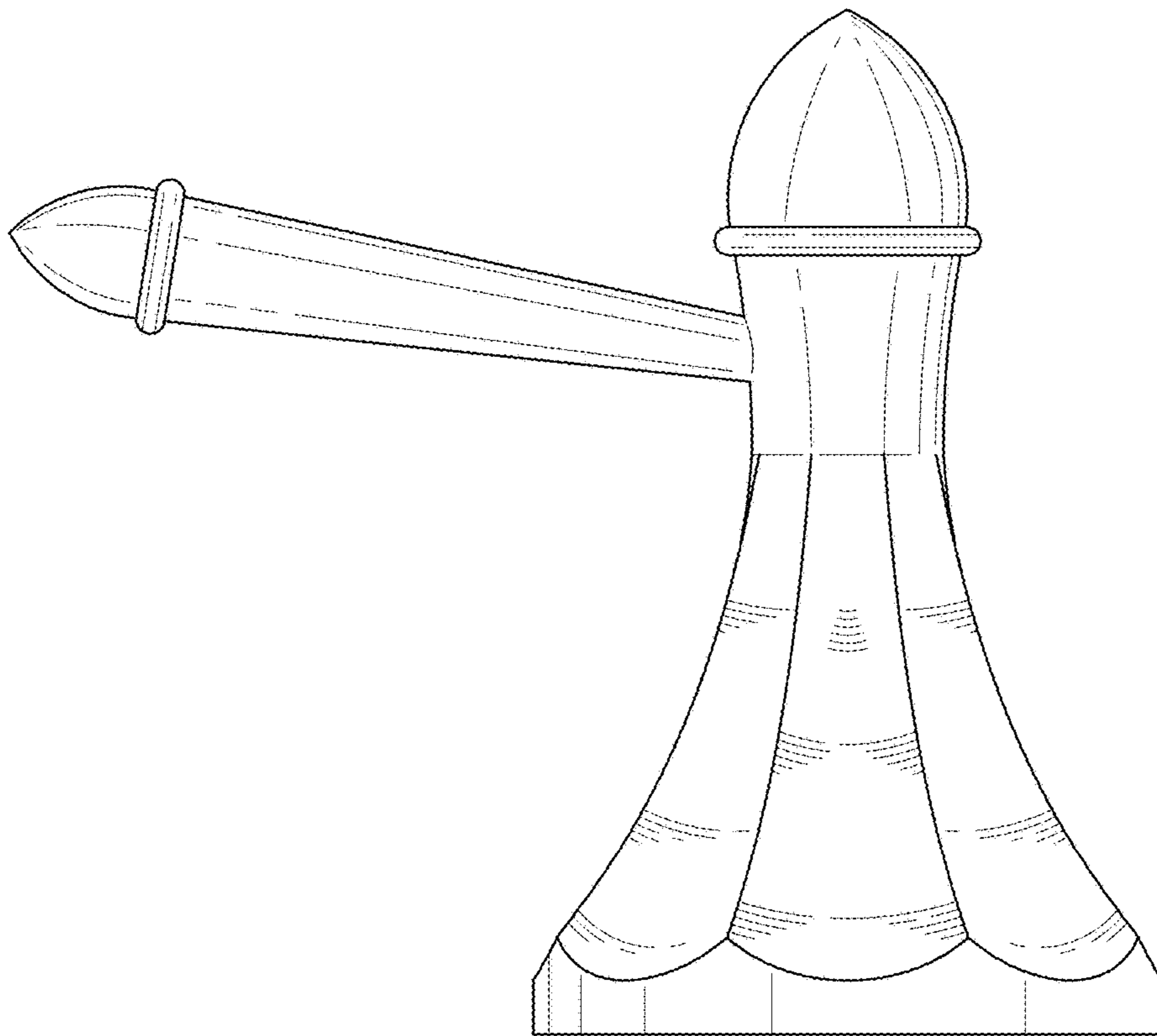


FIG. 4

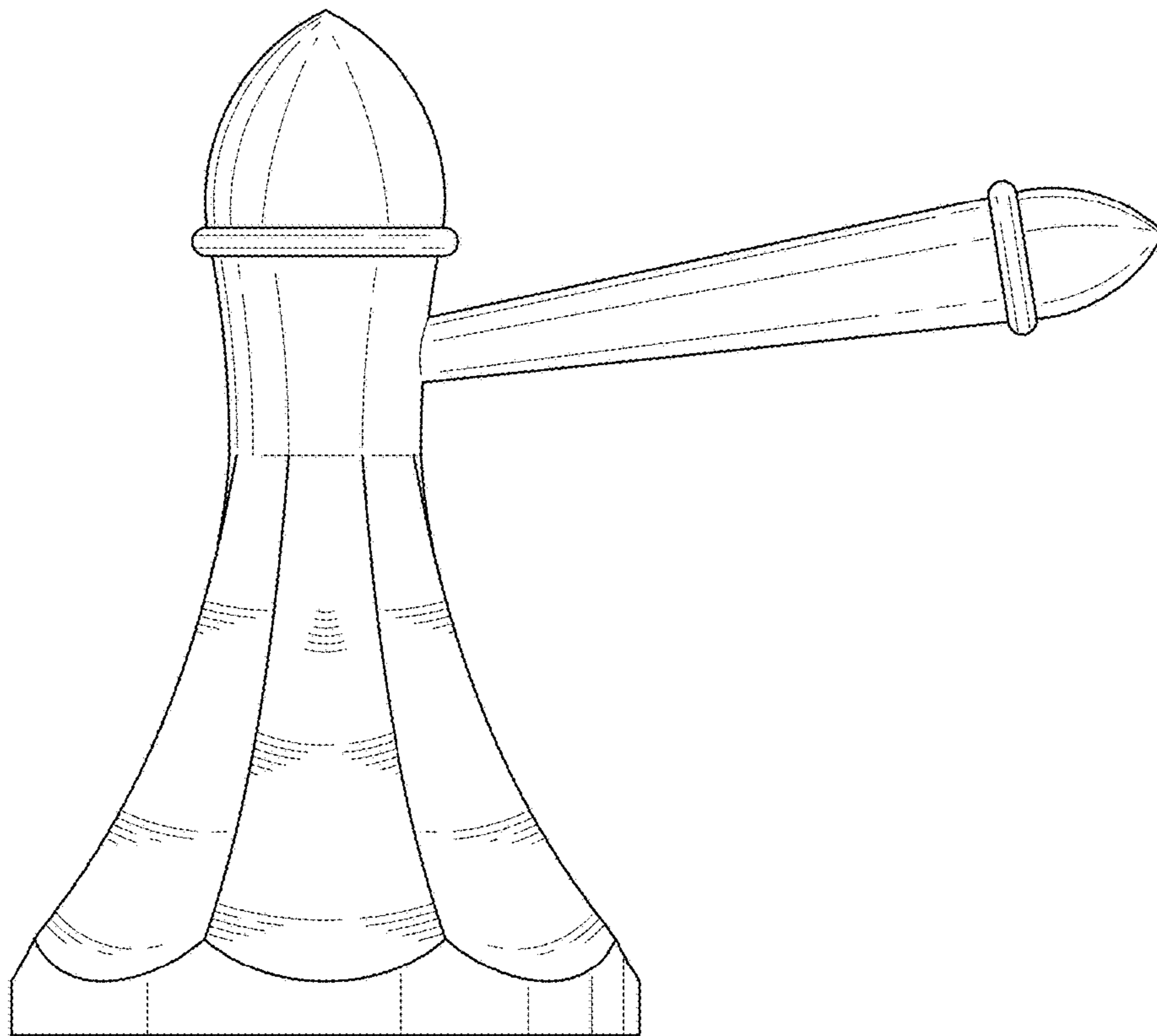


FIG. 5

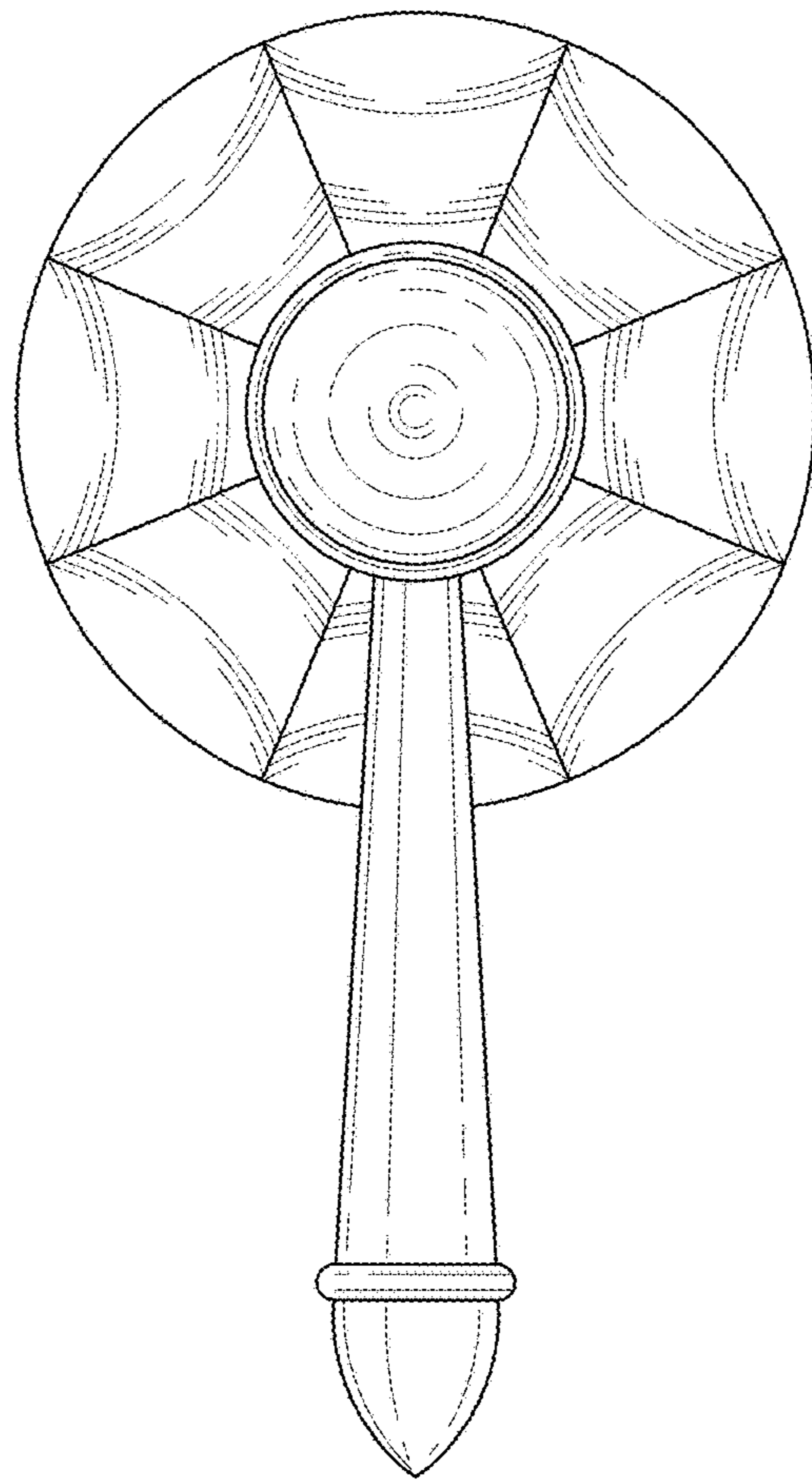


FIG. 6

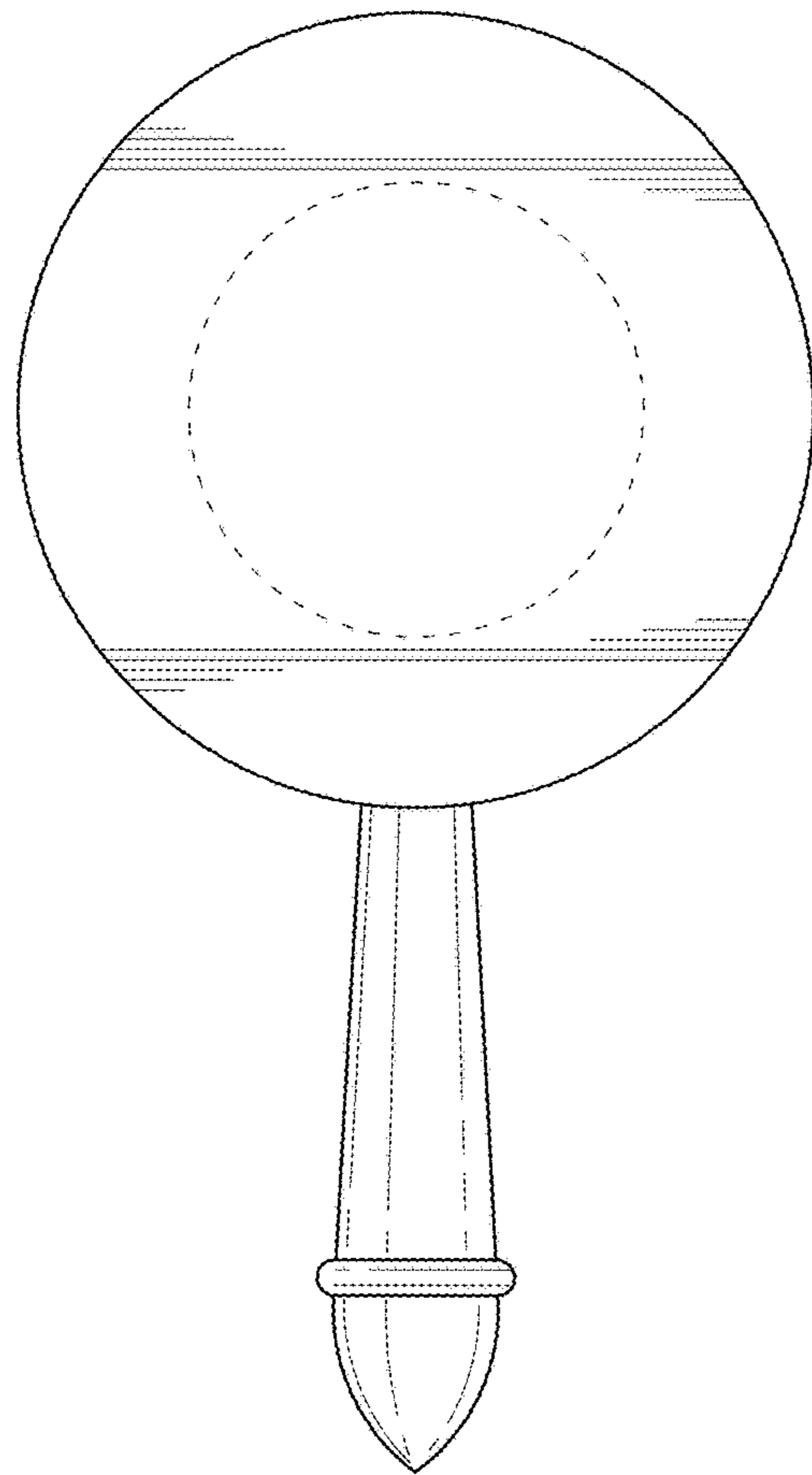


FIG. 7