

US00D868216S

(12) **United States Design Patent**
Carrozza

(10) **Patent No.:** **US D868,216 S**

(45) **Date of Patent:** **** Nov. 26, 2019**

(54) **FLUID DISTRIBUTION EQUIPMENT**

(71) Applicant: **BIRCHMEIER SPRÜHTECHNIK AG, Stetten (CH)**

(72) Inventor: **Claudio Carrozza, Stetten (CH)**

(**) Term: **15 Years**

(21) Appl. No.: **35/505,908**

(22) Filed: **Jun. 25, 2018**

(80) **Hague Agreement Data**

Int. Filing Date: **Jun. 25, 2018**

Int. Reg. No.: **DM/103099**

Int. Reg. Date: **Jun. 25, 2018**

Int. Reg. Pub. Date: **Oct. 19, 2018**

(51) **LOC (12) Cl.** **23-01**

(52) **U.S. Cl.**
USPC **D23/245**

(58) **Field of Classification Search**
USPC D23/245, 233, 252, 387, 354, 386
CPC F16L 2201/60; F16L 55/11; F16L 55/124;
F16L 55/128; F16L 55/1651; F16L
55/179; F16L 55/265
See application file for complete search history.

(56) **References Cited**

U.S. PATENT DOCUMENTS

4,860,805 A * 8/1989 Townsend A47C 27/085
141/382
4,887,633 A * 12/1989 Taylor, Jr. A47C 27/085
137/225

5,127,118 A * 7/1992 Johenning A47C 27/085
141/285
D371,426 S * 7/1996 Darin D23/213
D522,616 S * 6/2006 Minnick D23/233
D602,562 S * 10/2009 Harada D23/233
D602,563 S * 10/2009 Ito D23/233
D610,232 S * 2/2010 Harada D23/233
D620,553 S * 7/2010 Li D23/233
D646,753 S * 10/2011 Juul D23/233
D685,877 S * 7/2013 Nemoto D23/233
D690,390 S * 9/2013 Garm D23/233
D690,391 S * 9/2013 Garm D23/233
D714,909 S * 10/2014 Boothe D23/233

* cited by examiner

Primary Examiner — Khawaja Anwar

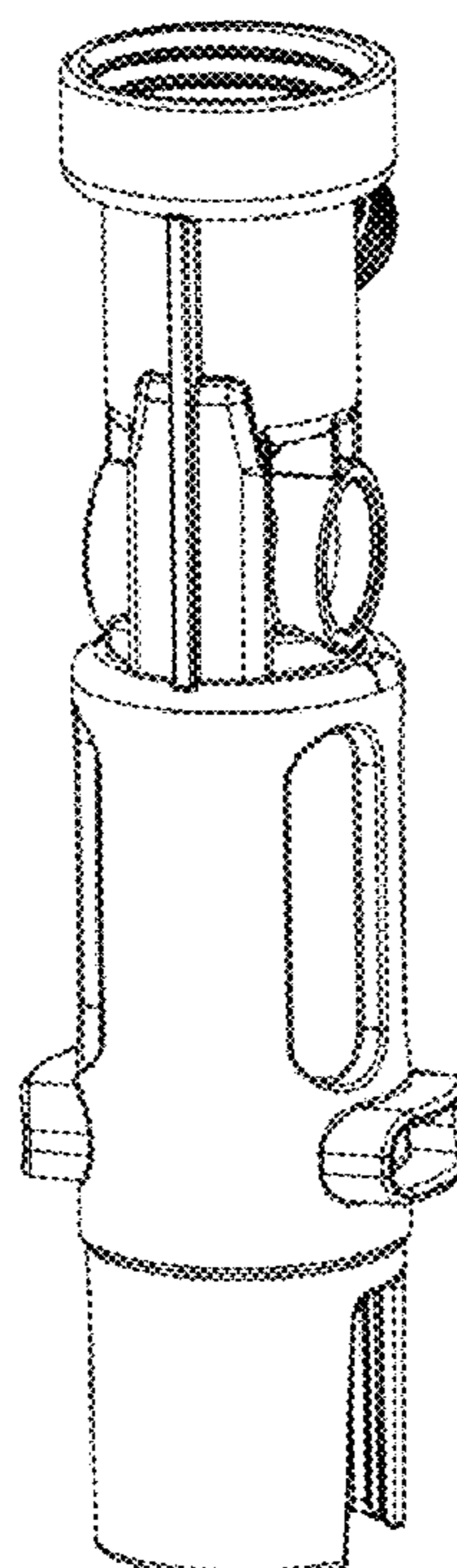
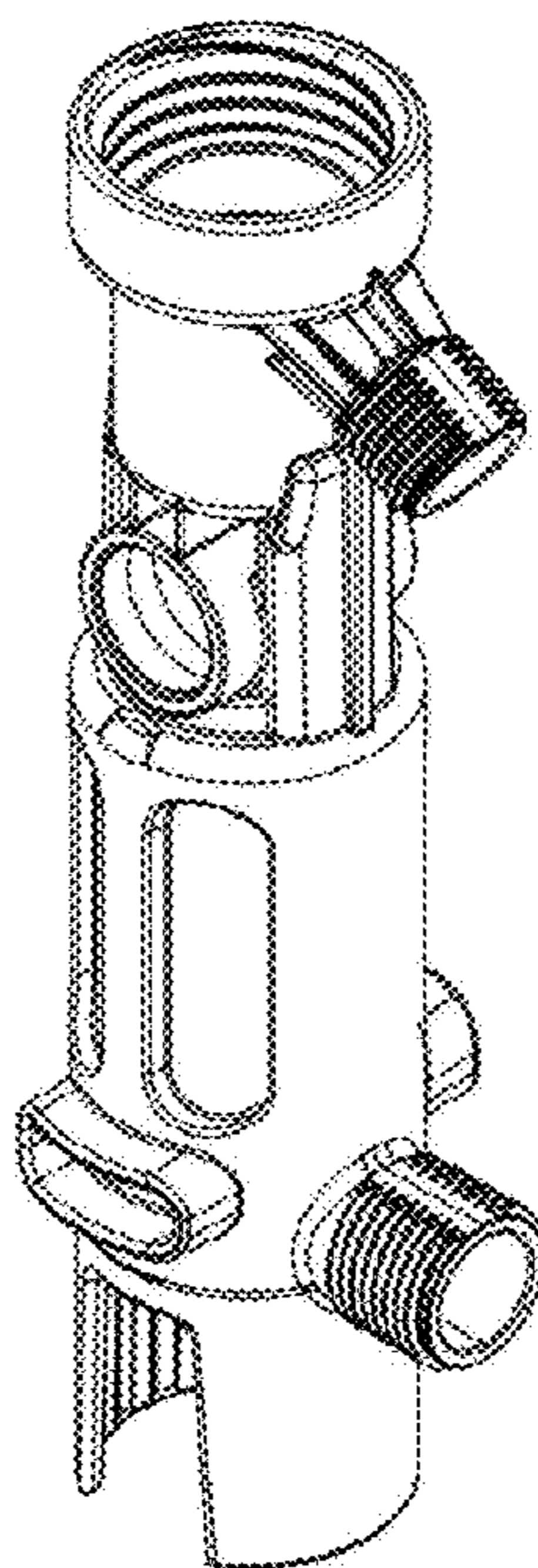
(57) **CLAIM**

The ornamental design for fluid distribution equipment, as shown and described.

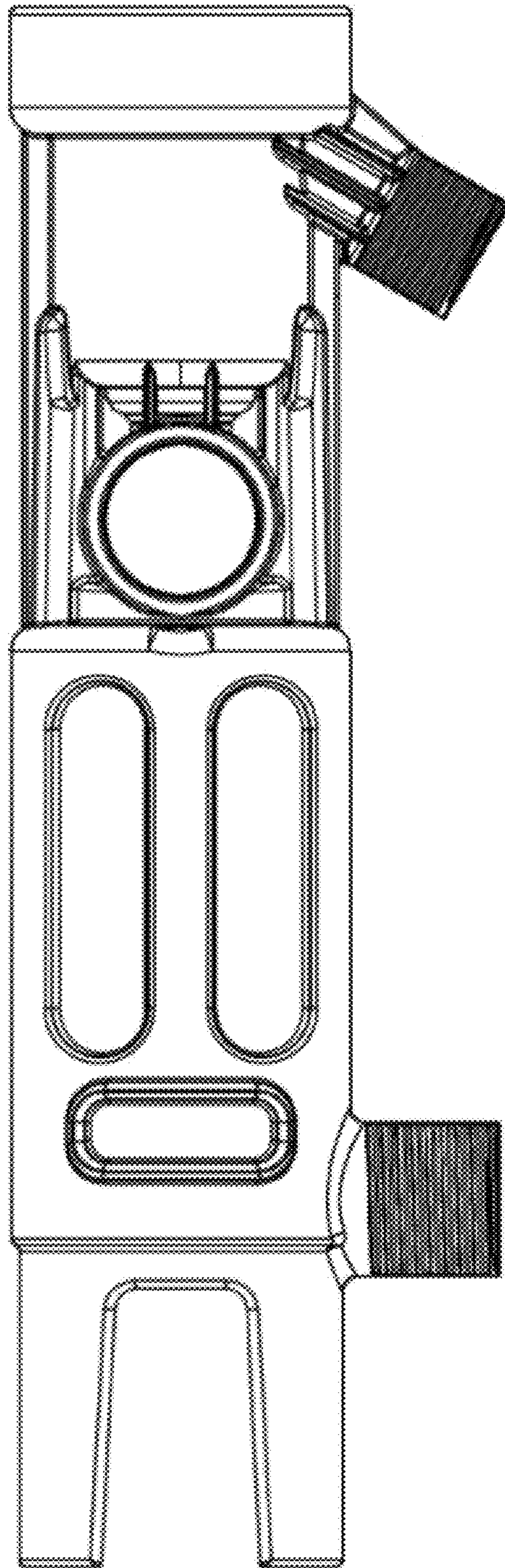
DESCRIPTION

1. Fluid distribution equipment
FIG. 1.1 is a side elevation view of a fluid distribution equipment, showing my new design;
FIG. 1.2 is front elevation view thereof;
FIG. 1.3 is a front perspective view thereof;
FIG. 1.4 is another perspective view thereof;
A metal cylinder is enclosed by a housing; the cylinder is visible through windows in the housing.

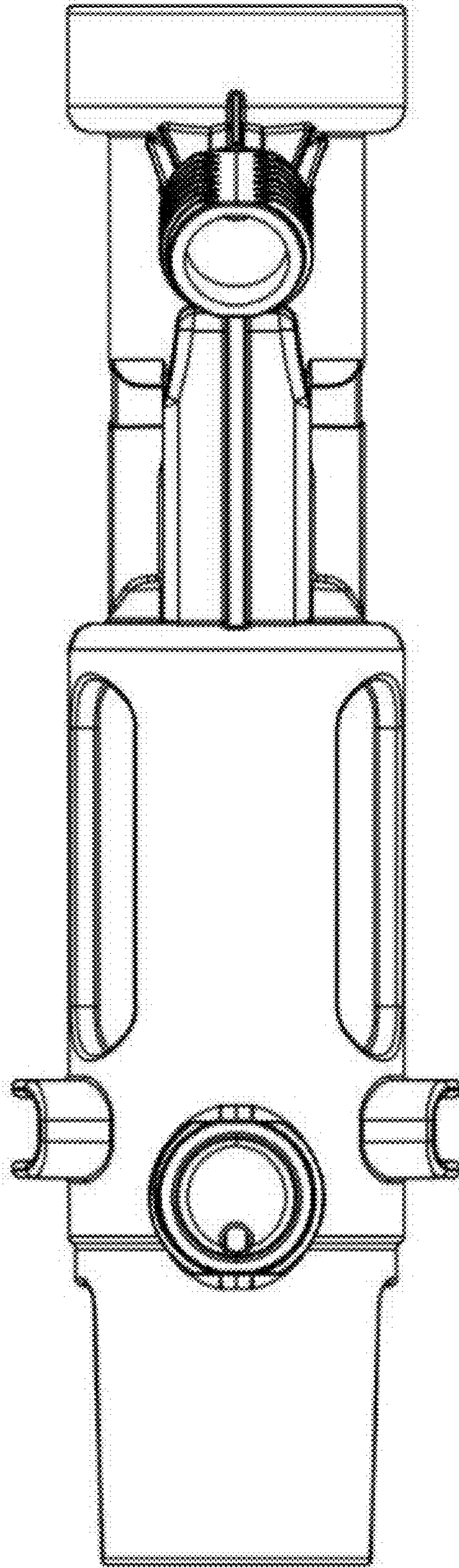
1 Claim, 4 Drawing Sheets



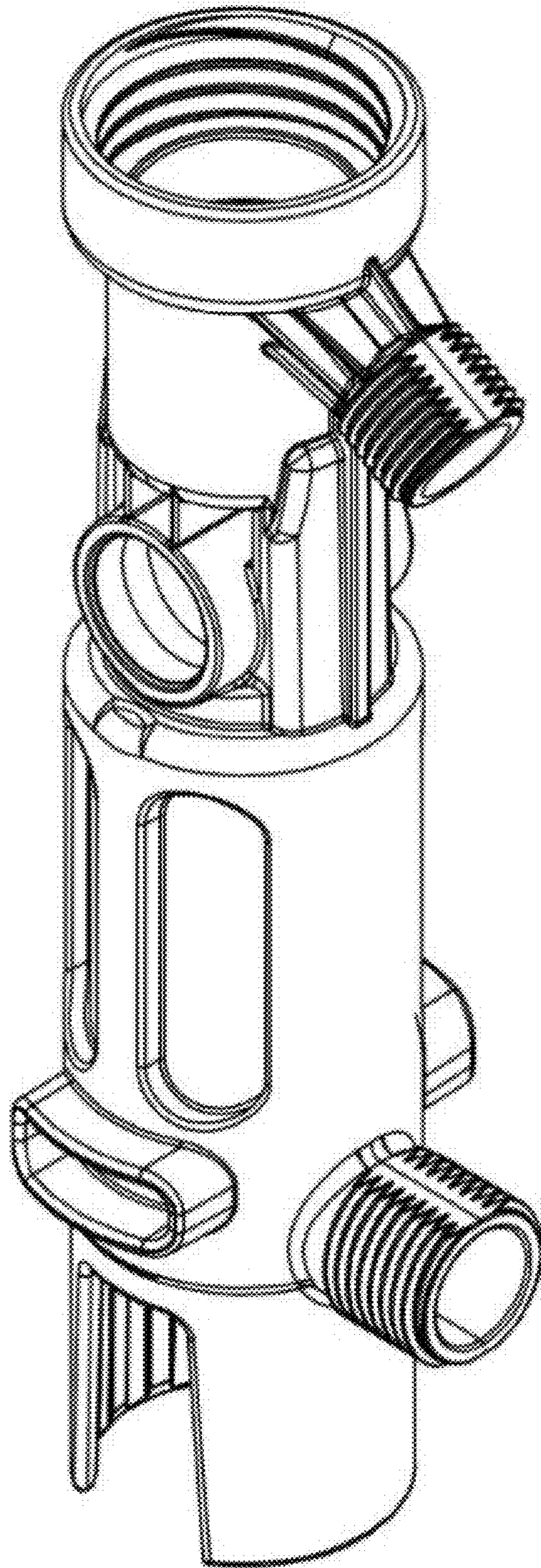
1.1



1.2



1.3



1.4

