



US00D868215S

(12) **United States Design Patent**  
**Chen**

(10) **Patent No.:** **US D868,215 S**

(45) **Date of Patent:** **\*\* Nov. 26, 2019**

(54) **FAUCET**

(71) Applicant: **Fagen Ding**, Huzhou (CN)

(72) Inventor: **Hui Chen**, Ruian (CN)

(\*\*) Term: **15 Years**

(21) Appl. No.: **29/701,205**

(22) Filed: **Aug. 9, 2019**

(51) **LOC (12) Cl.** ..... **23-01**

(52) **U.S. Cl.**  
USPC ..... **D23/242**

(58) **Field of Classification Search**  
USPC ..... D23/238, 241-243, 249, 255, 257, 250,  
D23/252, 254; D8/307-308  
See application file for complete search history.

(56) **References Cited**

U.S. PATENT DOCUMENTS

D497,198 S	10/2004	Painter et al.	
D511,371 S	11/2005	Chen	
D533,643 S *	12/2006	Veltz .....	D23/254
D573,693 S	7/2008	Hsieh	
D608,859 S *	1/2010	Schoenherr .....	D23/242
D640,353 S *	6/2011	Gao .....	D23/255
D648,829 S *	11/2011	Gao .....	D23/252

D667,934 S	9/2012	Liao et al.	
D674,051 S *	1/2013	Uhl .....	D23/242
D713,937 S *	9/2014	Fritz .....	D23/242
D797,246 S	9/2017	Downey	
D811,537 S	2/2018	Schoenherr et al.	
D848,575 S	5/2019	Garland et al.	
D855,159 S *	7/2019	Eads .....	D23/242

\* cited by examiner

*Primary Examiner* — Robert A Delehanty

(74) *Attorney, Agent, or Firm* — Wayne V. Harper

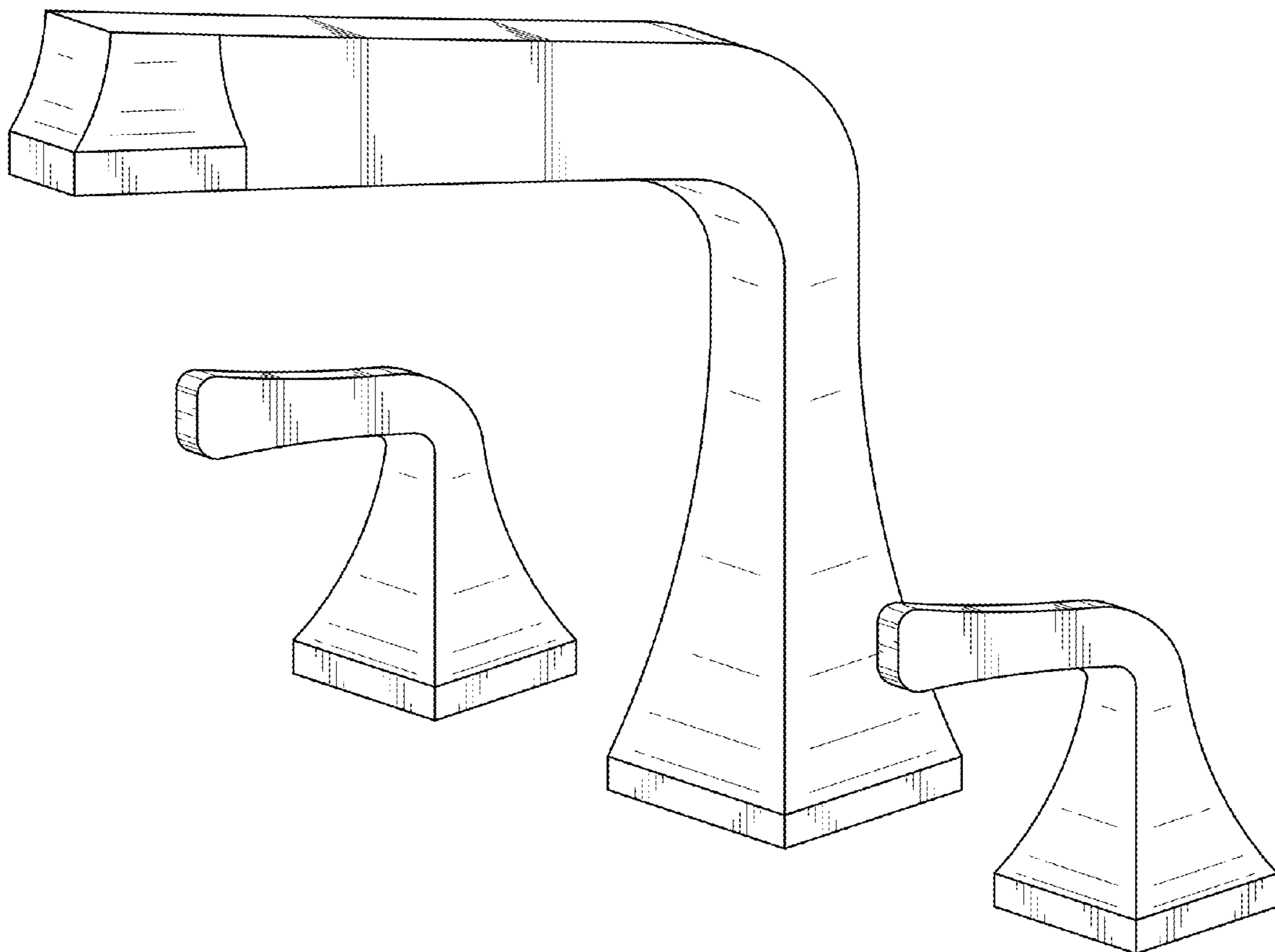
(57) **CLAIM**

I claim the ornamental design for a faucet, as shown and described.

**DESCRIPTION**

FIG. 1 is a Perspective view of a faucet showing my new design;  
FIG. 2 is a Front view of the faucet as shown in FIG. 1;  
FIG. 3 is a Back view of the faucet as shown in FIG. 1;  
FIG. 4 is a Right-side view of the faucet as shown in FIG. 1;  
FIG. 5 is a Left-side view of the faucet as shown in FIG. 1;  
FIG. 6 is a Top view of the faucet as shown in FIG. 1; and,  
FIG. 7 is Bottom view of the faucet as shown in FIG. 1.  
The broken lines are only for environmental purposes and form no part of the claimed design.

**1 Claim, 7 Drawing Sheets**



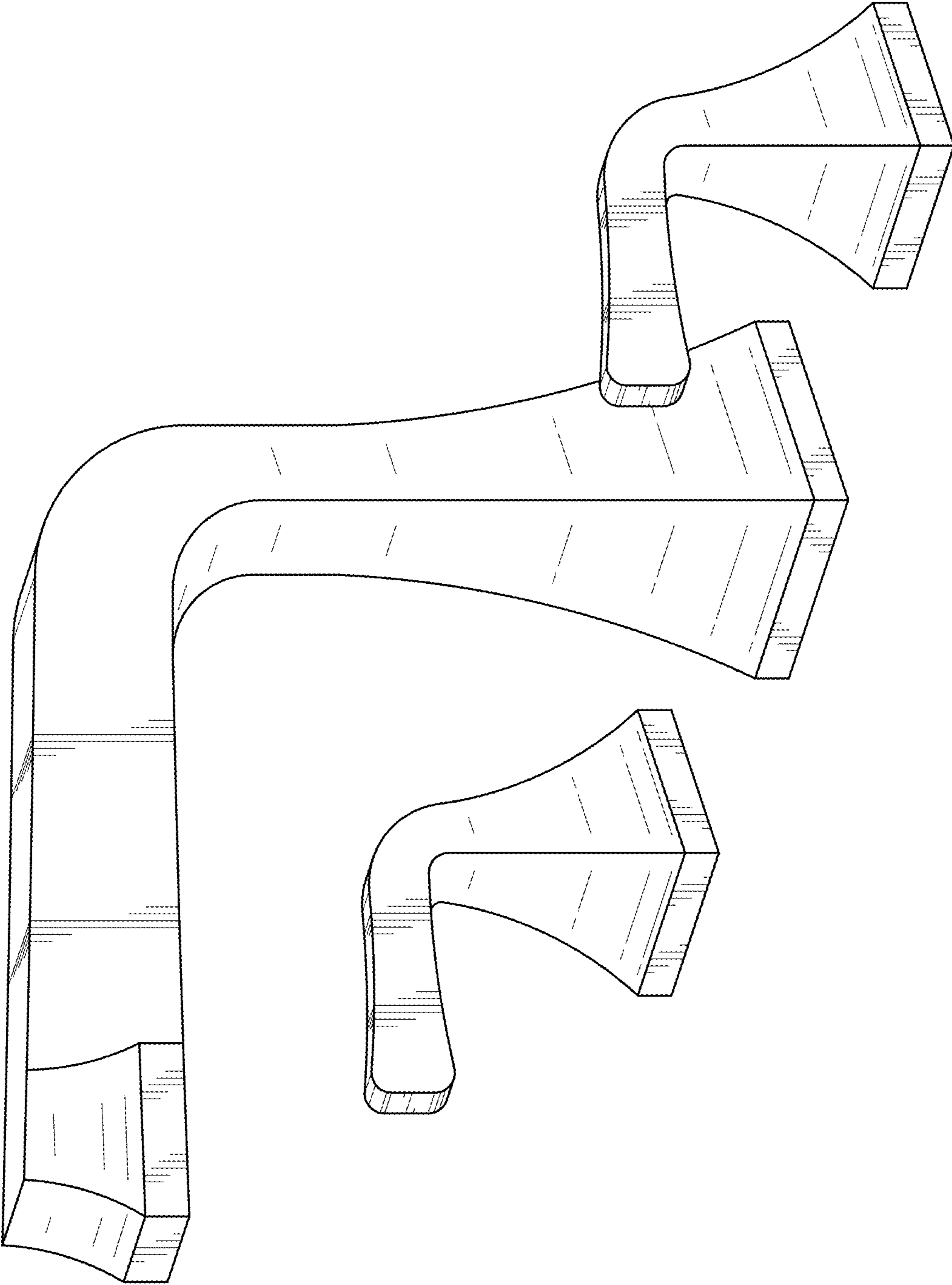


FIG. 1

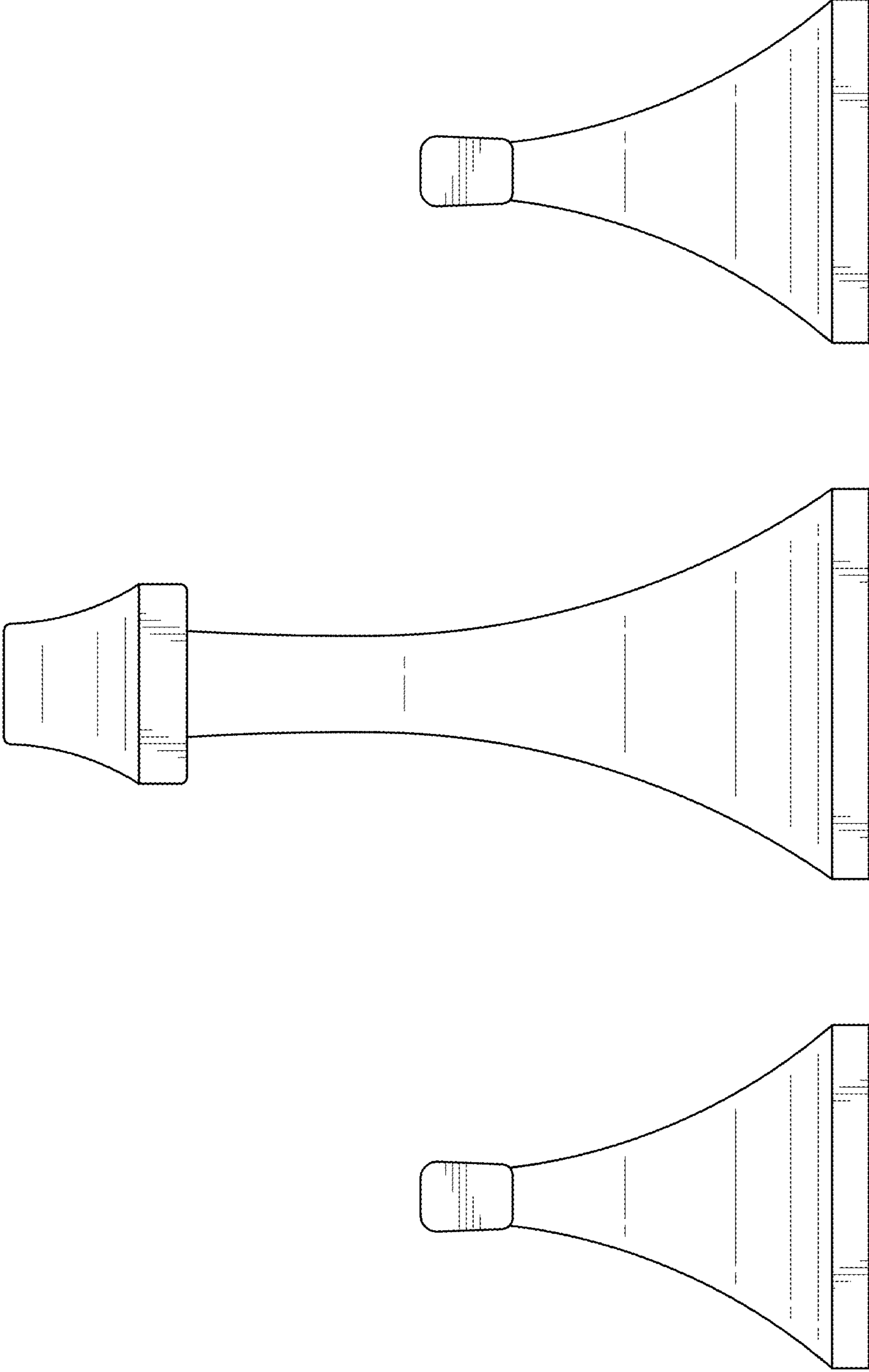


FIG. 2

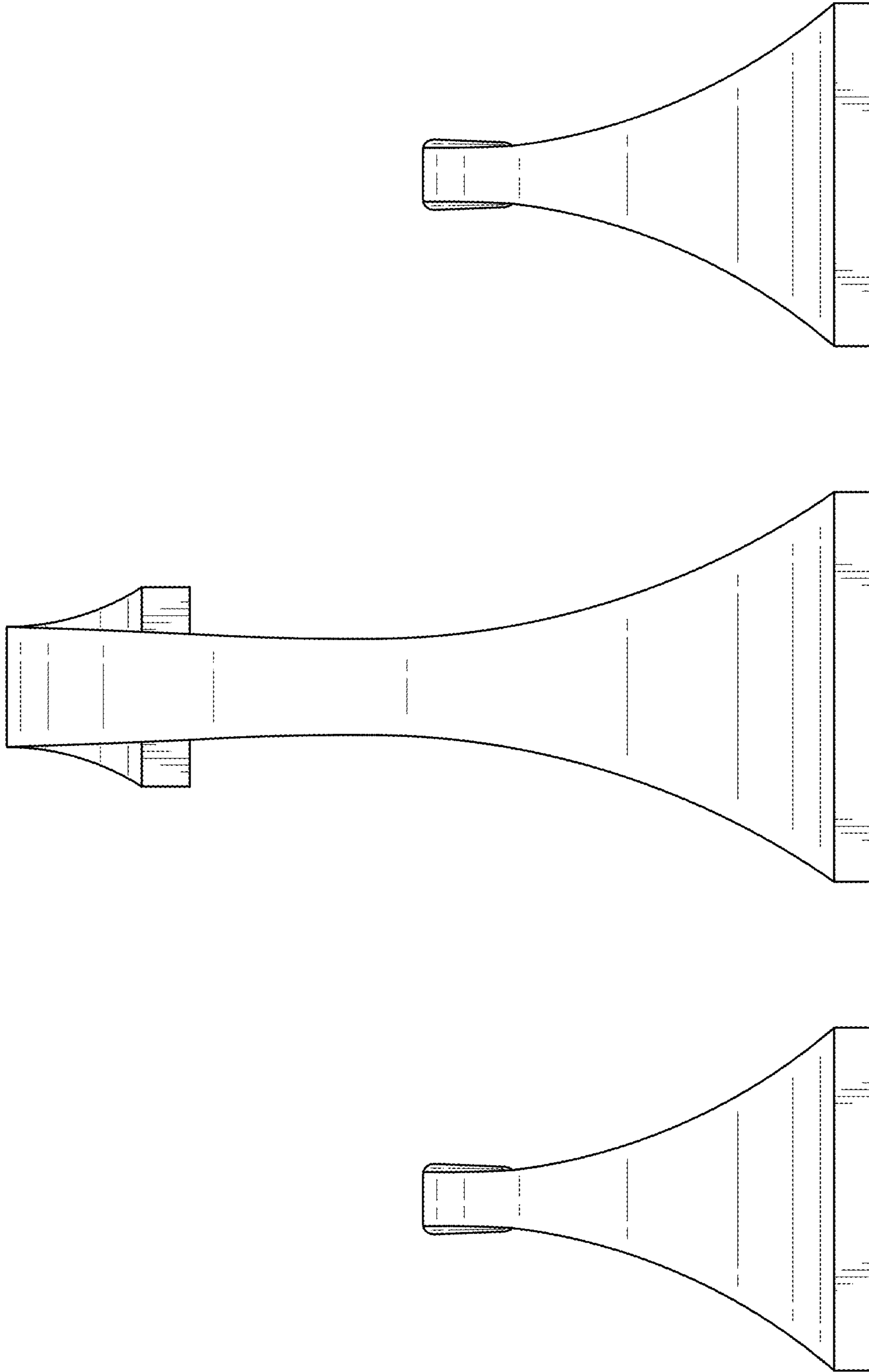


FIG. 3

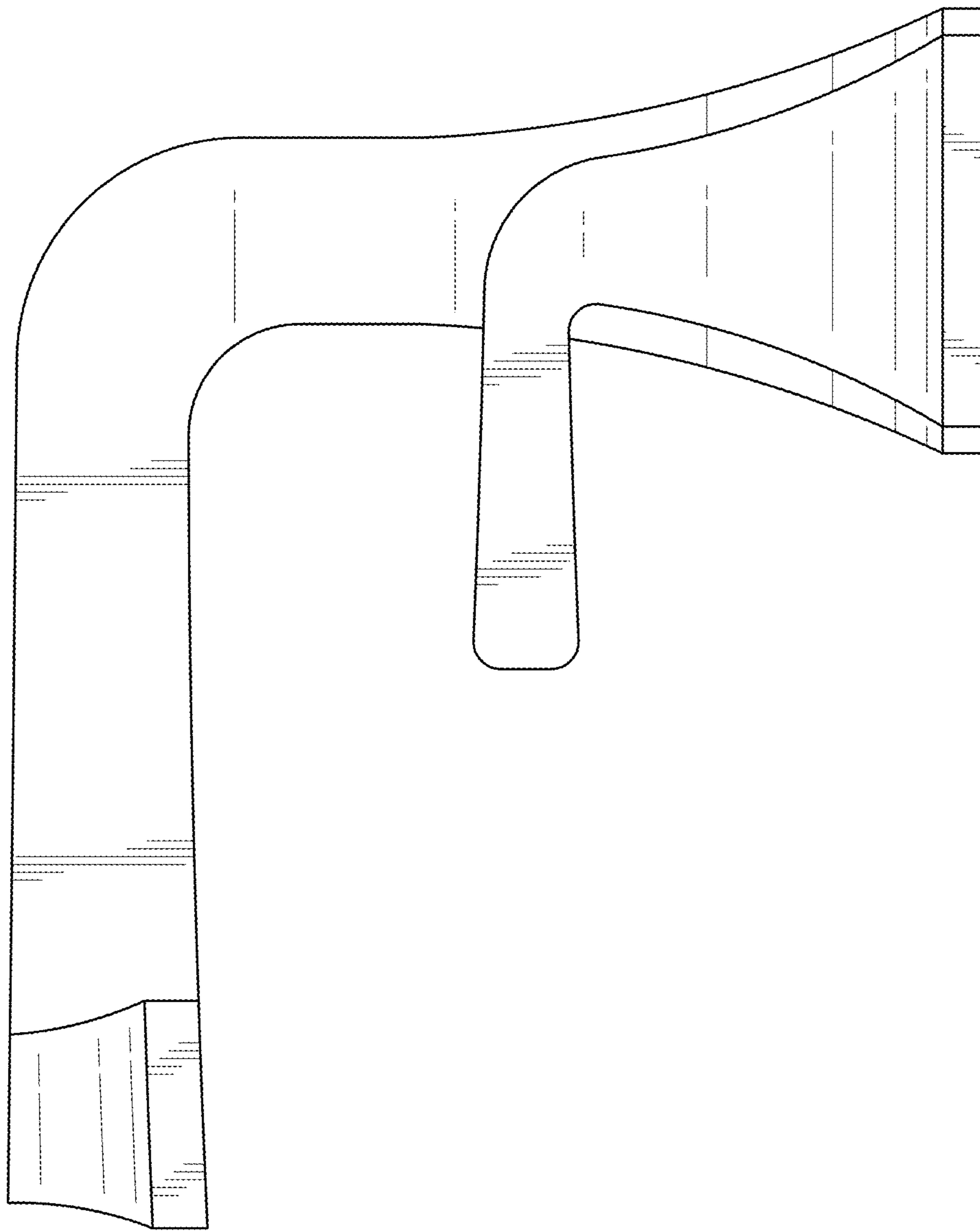


FIG. 4

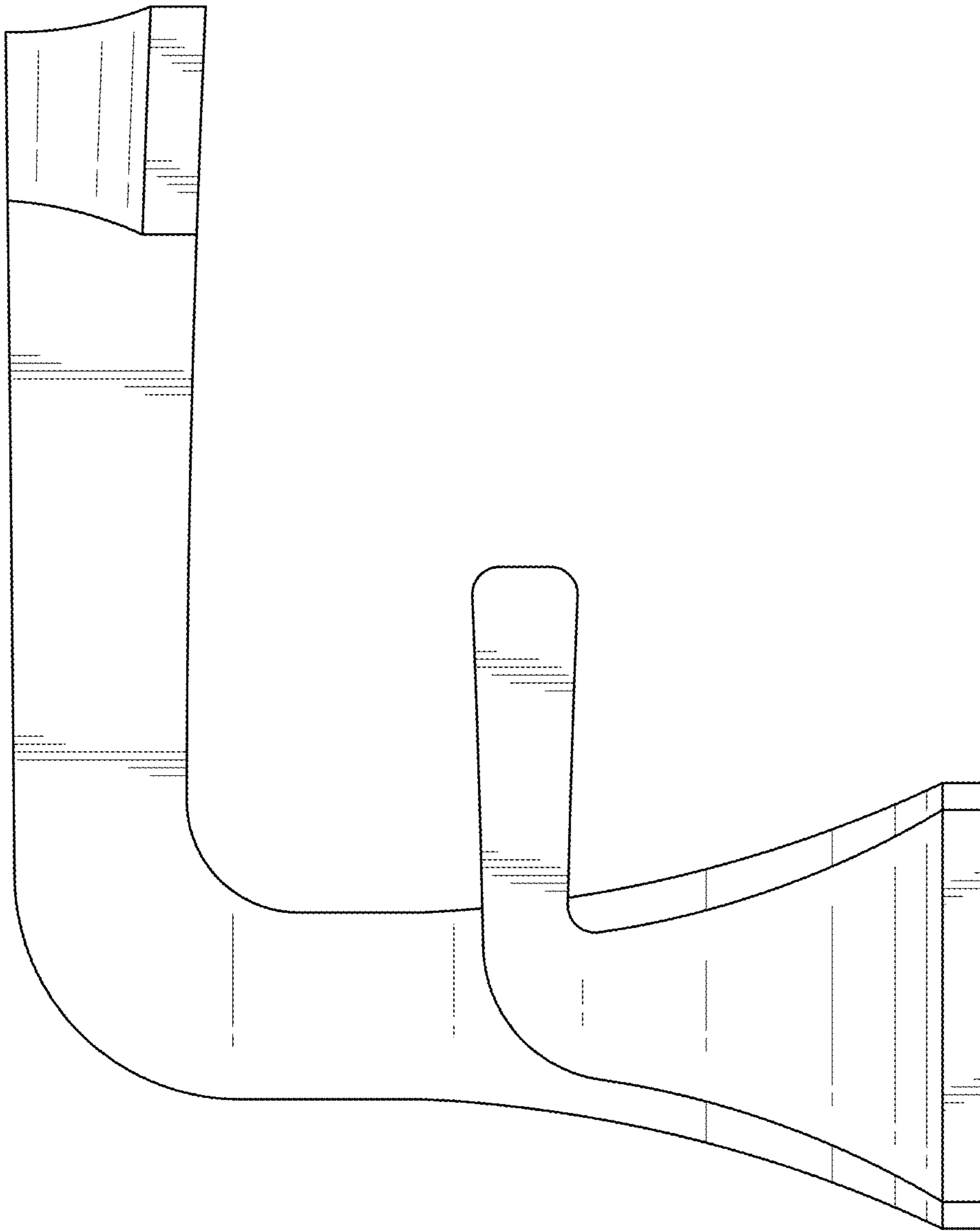


FIG. 5

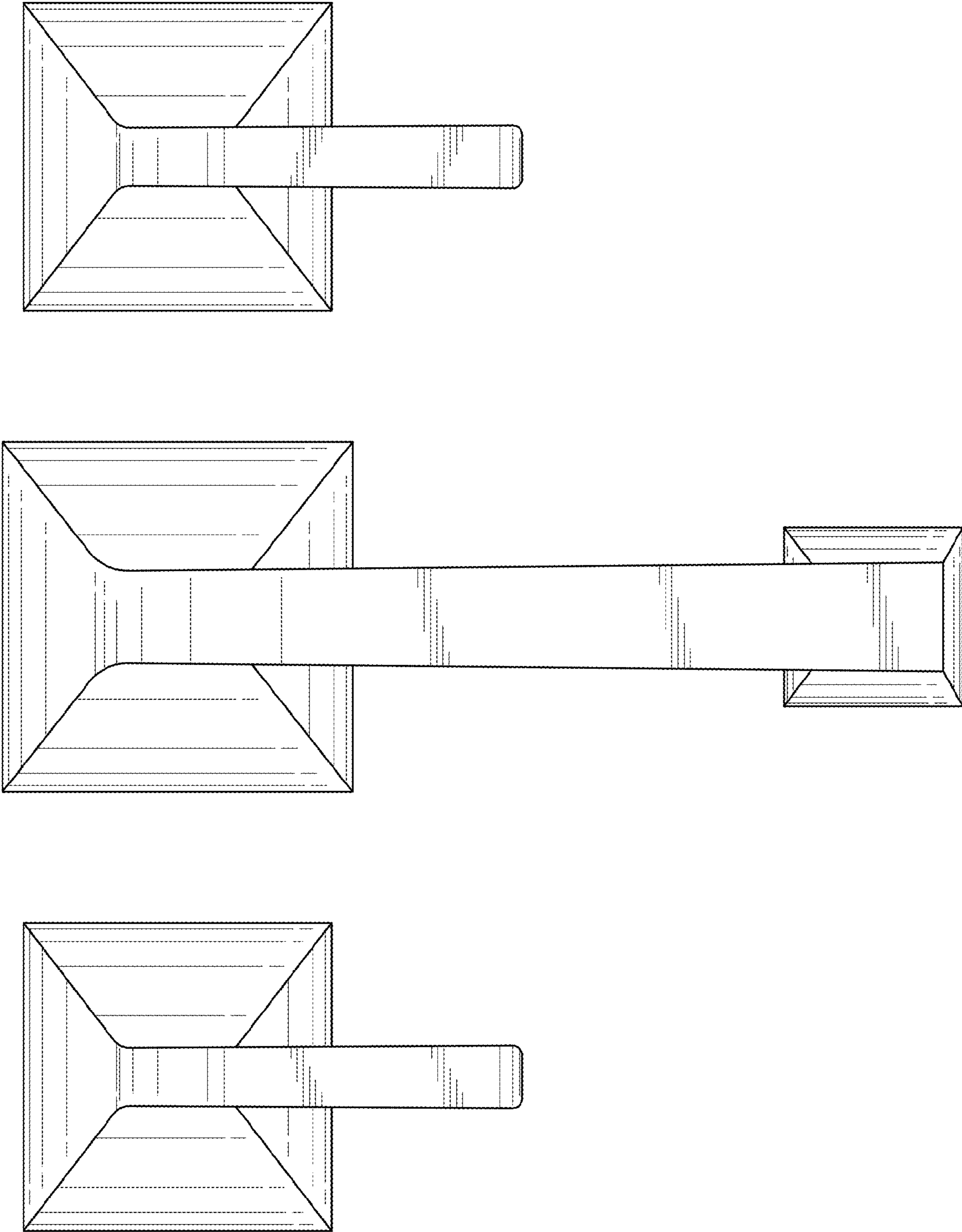


FIG. 6



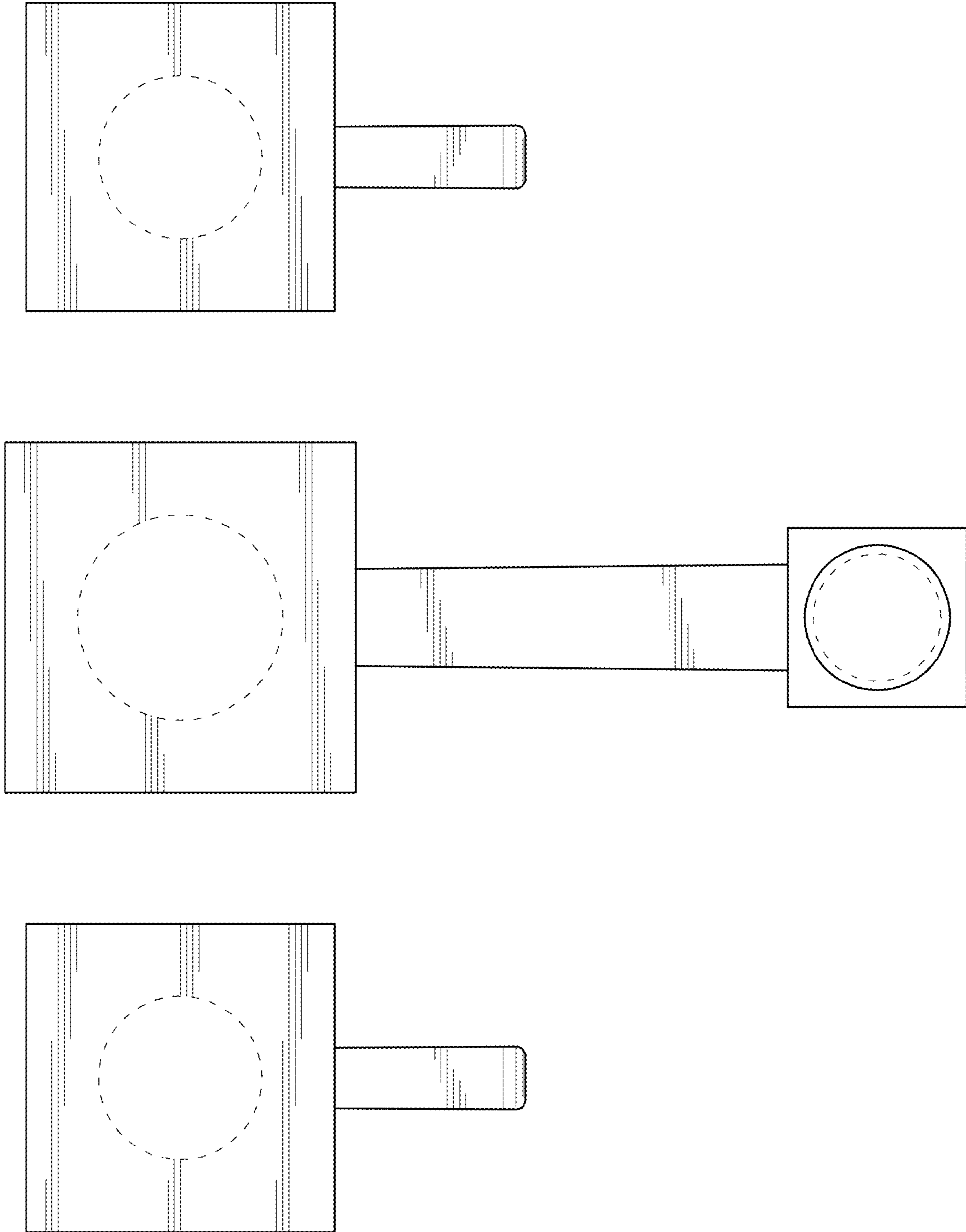


FIG. 7