



US00D868214S

(12) **United States Design Patent**
Chung

(10) **Patent No.:** **US D868,214 S**

(45) **Date of Patent:** **** Nov. 26, 2019**

(54) **MIXING FAUCET BODY**

(71) Applicant: **Greatness Sanitary Industrial Co., Ltd**, Changhua County (TW)

(72) Inventor: **Chiu-Chih Chung**, Changhua County (TW)

(73) Assignee: **Greatness Sanitary Industrial Co., Ltd**, Changhua County (TW)

(**) Term: **15 Years**

(21) Appl. No.: **29/632,579**

(22) Filed: **Jan. 9, 2018**

(51) **LOC (12) Cl.** **23-01**

(52) **U.S. Cl.**
USPC **D23/241**

(58) **Field of Classification Search**
USPC D23/238, 241-243, 249
CPC Y10T 137/9464; E03C 1/04; E03C 1/02;
E03C 1/0404; E03C 1/042; E03C 1/0414
See application file for complete search history.

(56) **References Cited**

U.S. PATENT DOCUMENTS

D45,574 S * 4/1914 Speakman D23/241
D45,787 S * 5/1914 Bookelman D23/241

D62,740 S * 7/1923 Muend D23/243
D94,760 S * 3/1935 Hitchcock D23/240
D428,473 S * 7/2000 Milrud D23/241
D430,649 S * 9/2000 Milrud D23/241
D510,413 S * 10/2005 Ouyoung D23/249
D522,095 S * 5/2006 Chung D23/241
D522,622 S * 6/2006 Chung D23/241
D523,929 S * 6/2006 Chung D23/241

* cited by examiner

Primary Examiner — Robert A Delehanty

(74) *Attorney, Agent, or Firm* — Jackson IPG PLLC;
Demian K. Jackson

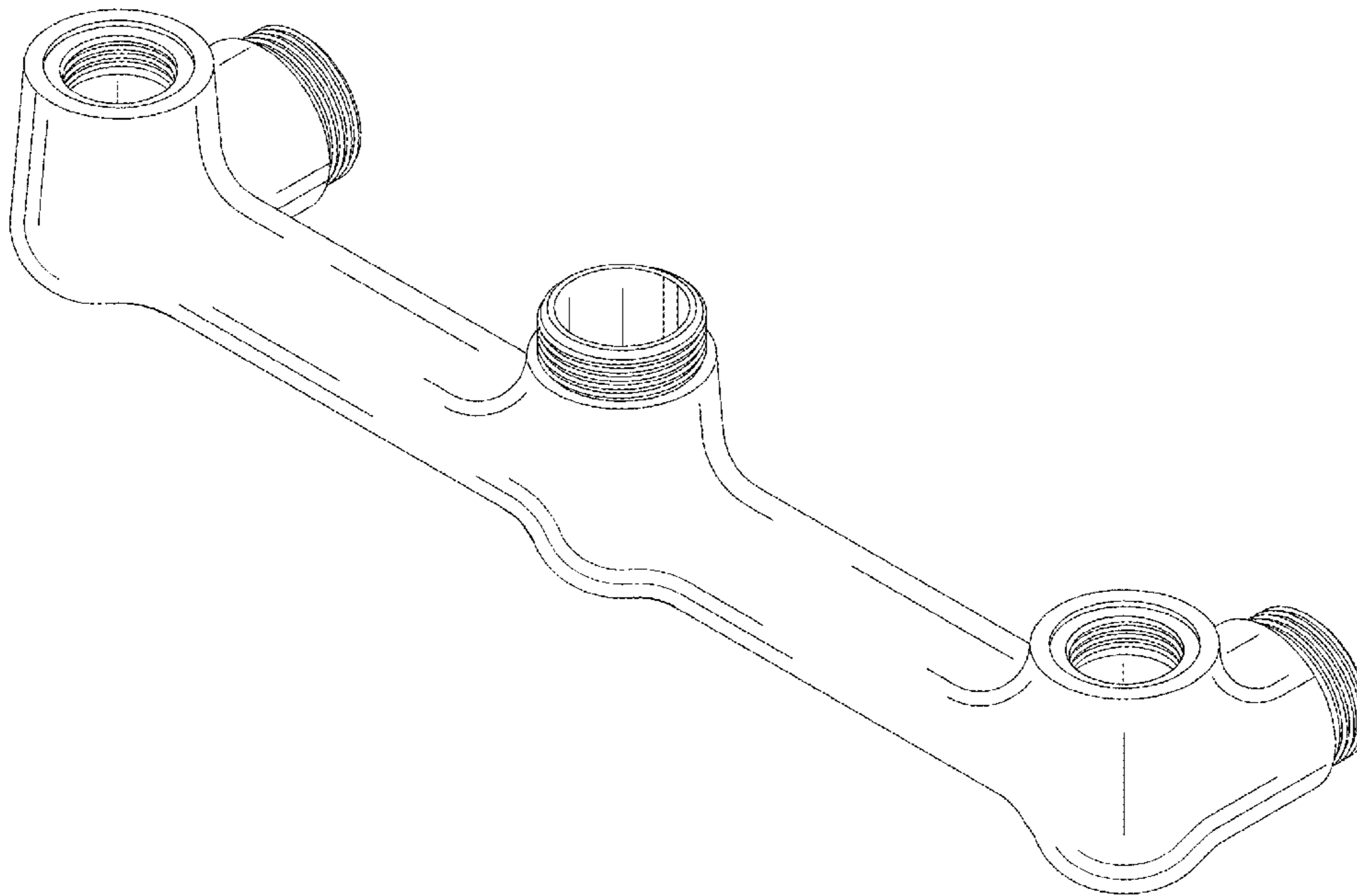
(57) **CLAIM**

The ornamental design for a mixing faucet body, as shown.

DESCRIPTION

FIG. 1 is a front view of a mixing faucet body showing my new design;
FIG. 2 is a rear view thereof;
FIG. 3 is a left view thereof;
FIG. 4 is a right view thereof;
FIG. 5 is a top view thereof;
FIG. 6 is a bottom view thereof; and,
FIG. 7 is a perspective view thereof.

1 Claim, 7 Drawing Sheets



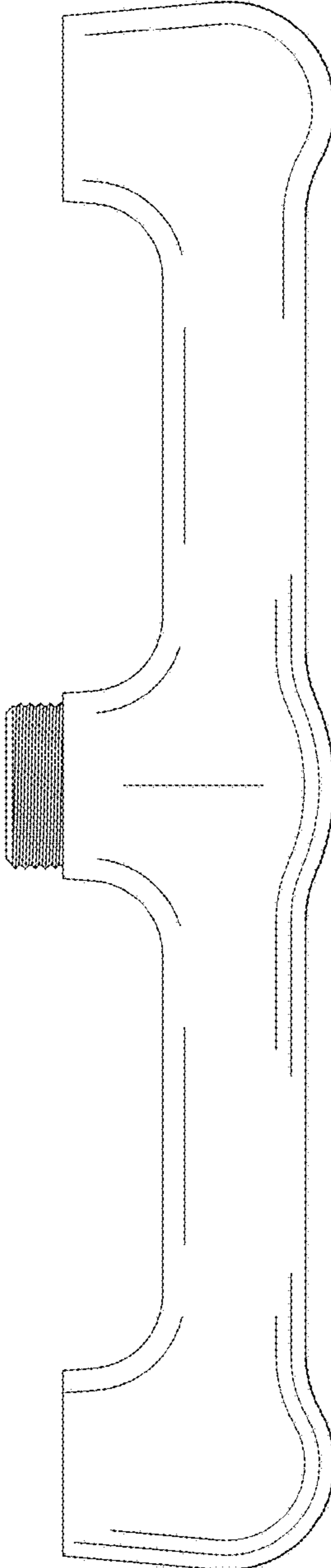


FIG. 1

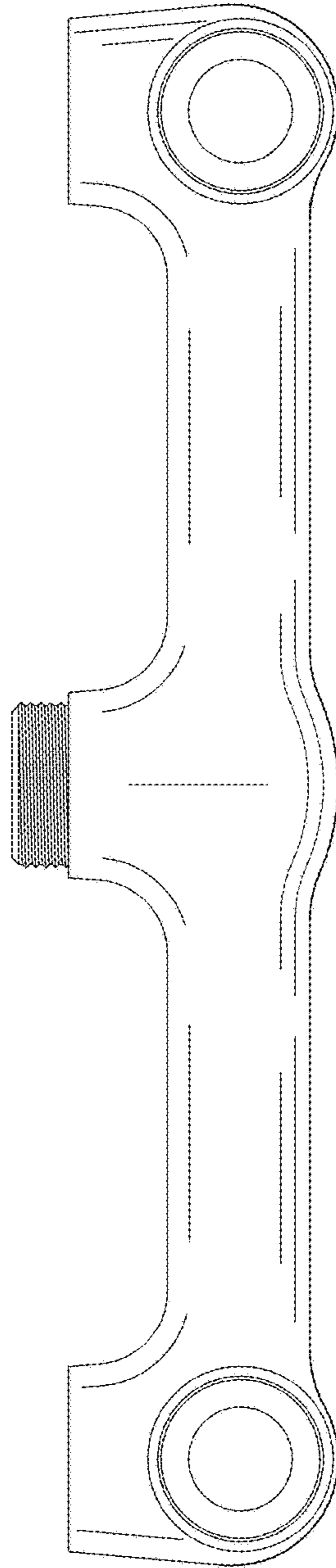


FIG. 2

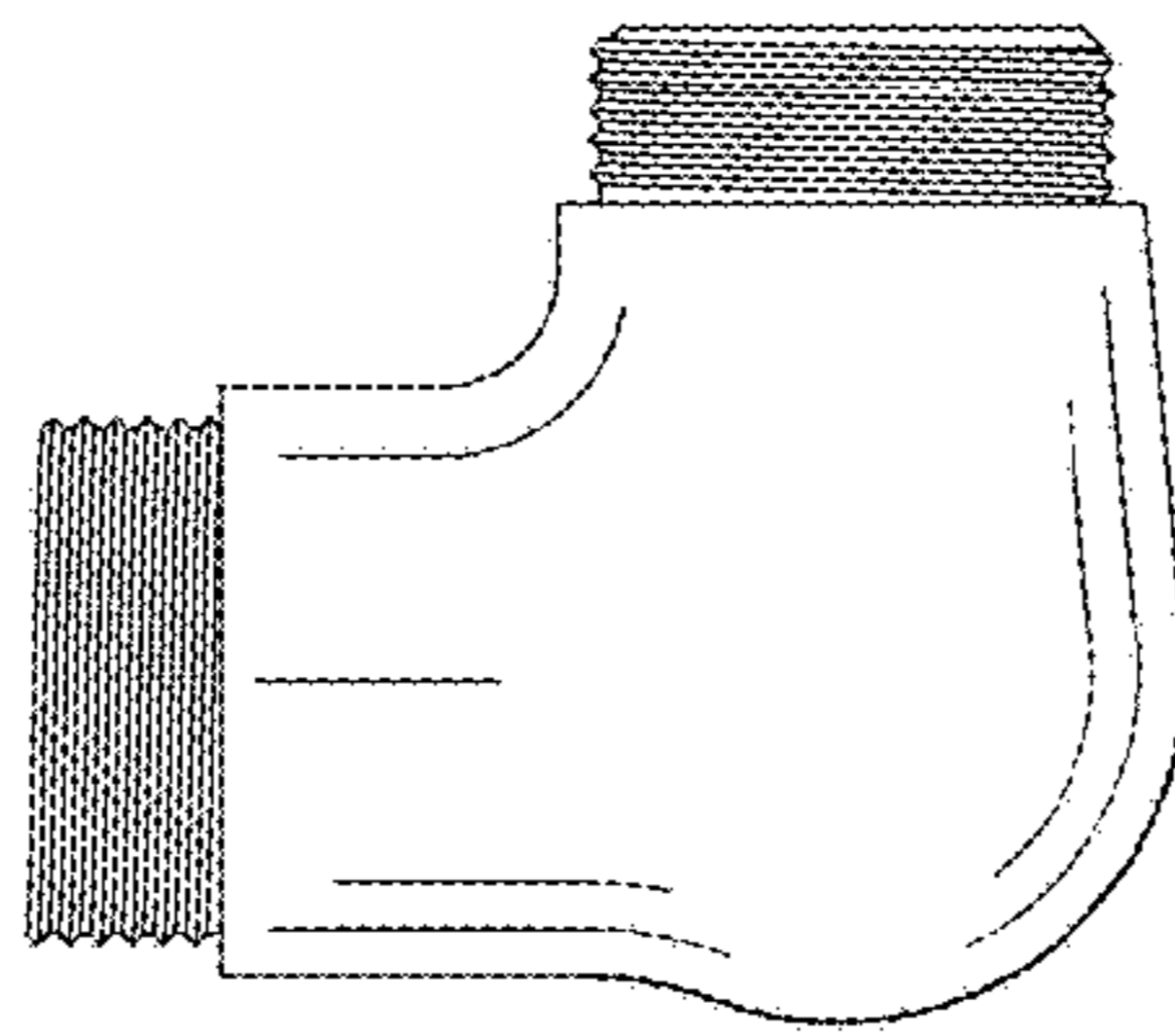


FIG. 3

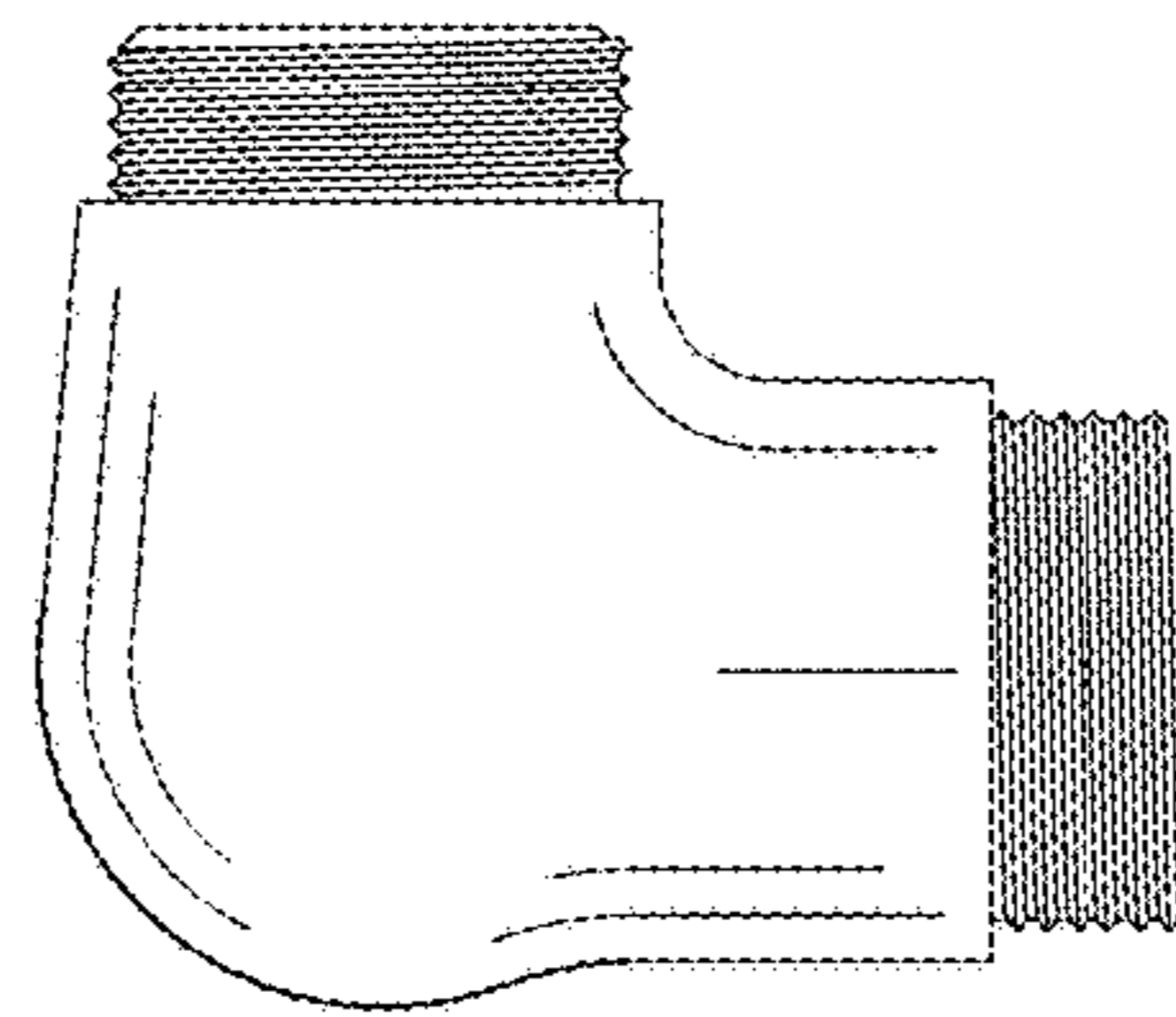


FIG. 4

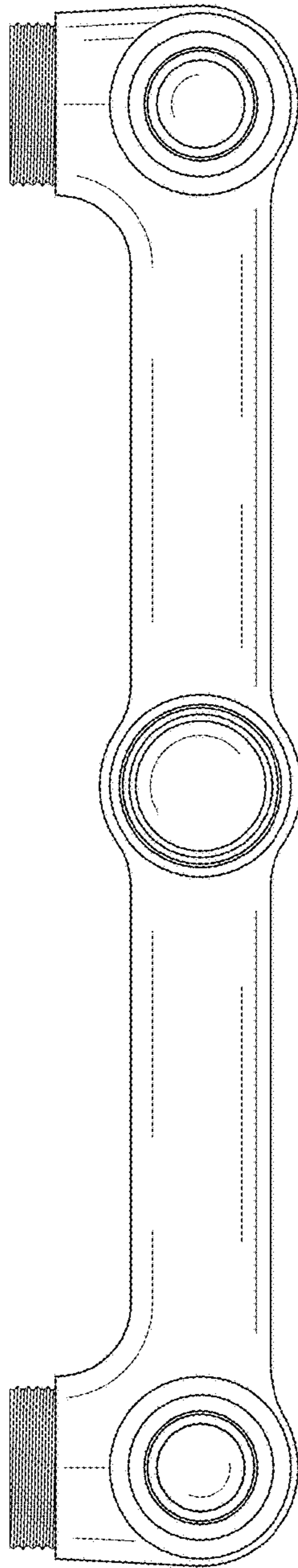


FIG. 5

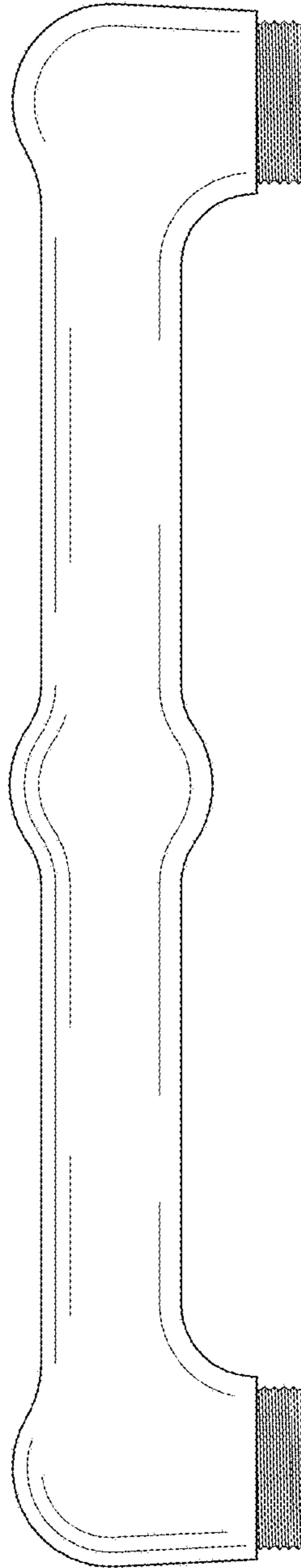


FIG. 6

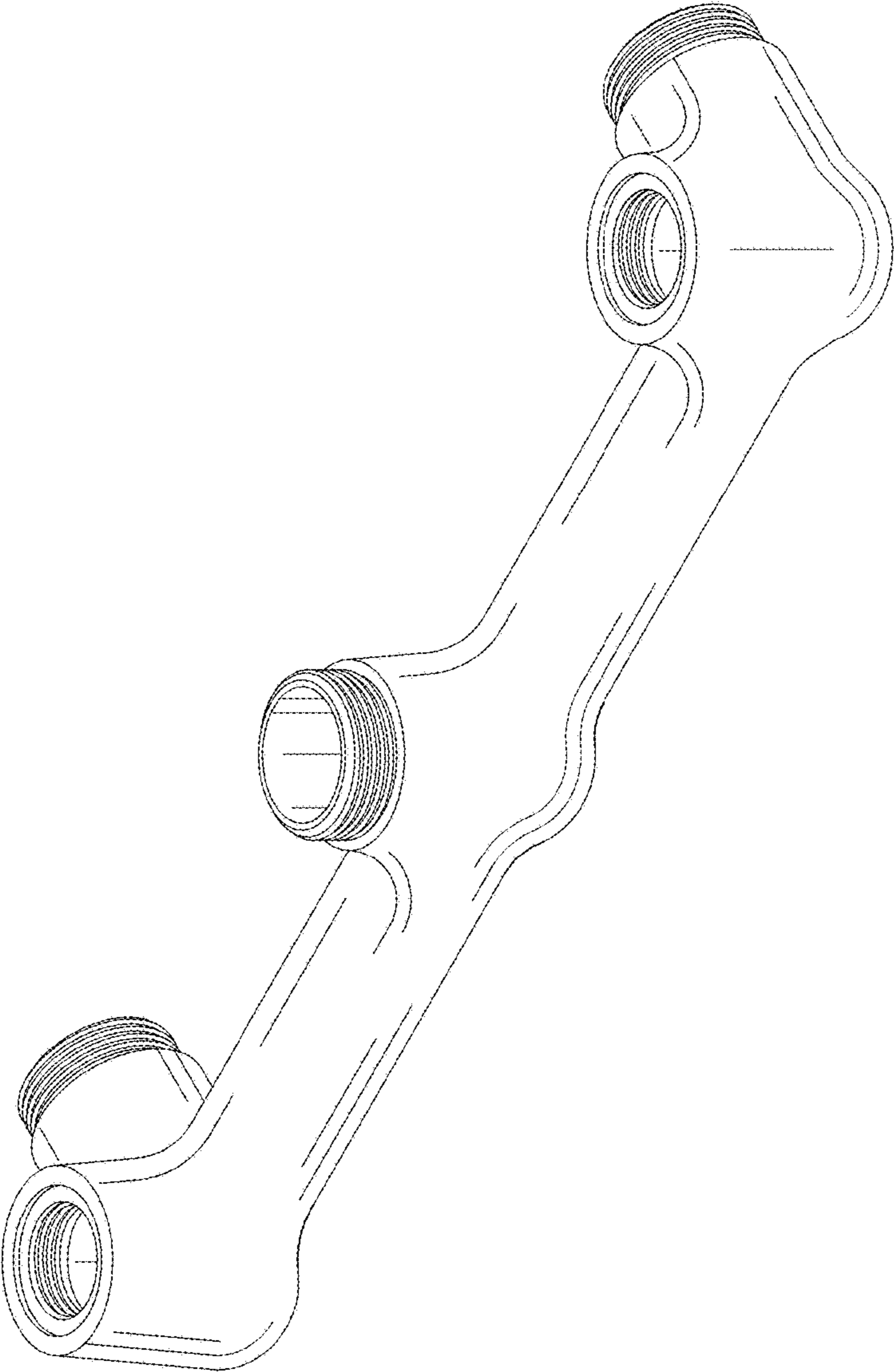


FIG. 7