

US00D868210S

(12) **United States Design Patent** (10) **Patent No.:** **US D868,210 S**
Garland (45) **Date of Patent:** **** Nov. 26, 2019**

(54) **FAUCET**
(71) Applicant: **DELTA FAUCET COMPANY,**
Indianapolis, IN (US)
(72) Inventor: **Celine Kwok Garland,** Zionsville, IN
(US)
(73) Assignee: **DELTA FAUCET COMPANY,**
Indianapolis, IN (US)
(**) Term: **15 Years**
(21) Appl. No.: **29/634,113**
(22) Filed: **Jan. 18, 2018**
(51) **LOC (12) Cl.** **23-01**
(52) **U.S. Cl.**
USPC **D23/238**
(58) **Field of Classification Search**
USPC D23/238-243, 249, 255, 257, 250, 254,
D23/253, 245; D8/300, 307
CPC F16K 31/60; F16K 31/602; F16K 31/605;
F16K 31/607; E03C 1/0412
See application file for complete search history.

(56) **References Cited**
U.S. PATENT DOCUMENTS
D76,995 S * 11/1928 Fraser D23/254
D461,529 S * 8/2002 Gottwald D23/238

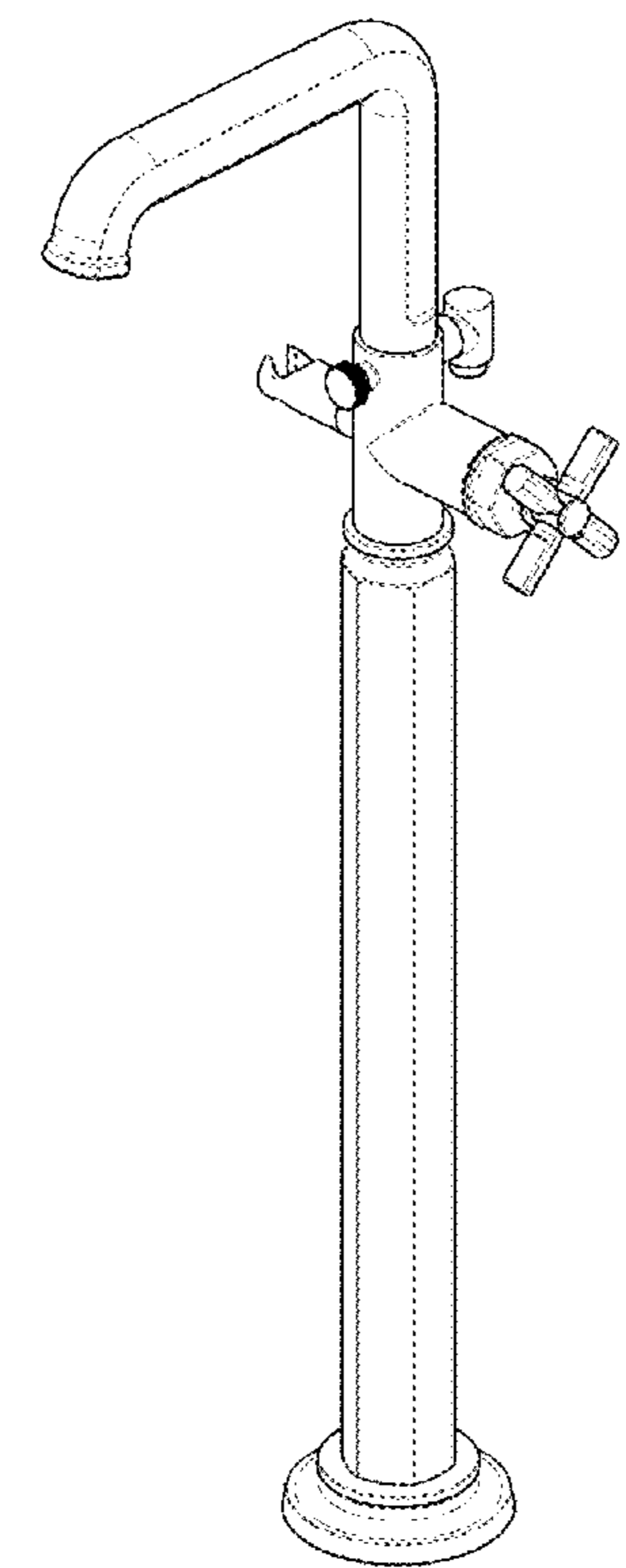
D527,444 S * 8/2006 Gilbert D23/255
D566,817 S * 4/2008 Isaacs D23/255
D615,627 S * 5/2010 Sofield D23/252
D683,825 S * 6/2013 Sofield D23/255
D803,986 S * 11/2017 Schoenherr D23/238
D806,832 S * 1/2018 Schoenherr D23/238
D827,105 S * 8/2018 Garland D23/253

* cited by examiner
Primary Examiner — Robert A Delehanty
(74) *Attorney, Agent, or Firm* — Edgar A. Zarins; Nirav
D. Parikh

(57) **CLAIM**
The ornamental design for a faucet, as shown and described.

DESCRIPTION
FIG. 1 is a front perspective view of a faucet showing my
new design;
FIG. 2 is a rear perspective view thereof;
FIG. 3 is a front elevational view thereof;
FIG. 4 is a left side view thereof;
FIG. 5 is a rear view thereof;
FIG. 6 is a right side view thereof; and,
FIG. 7 is a top plan view thereof.

1 Claim, 4 Drawing Sheets



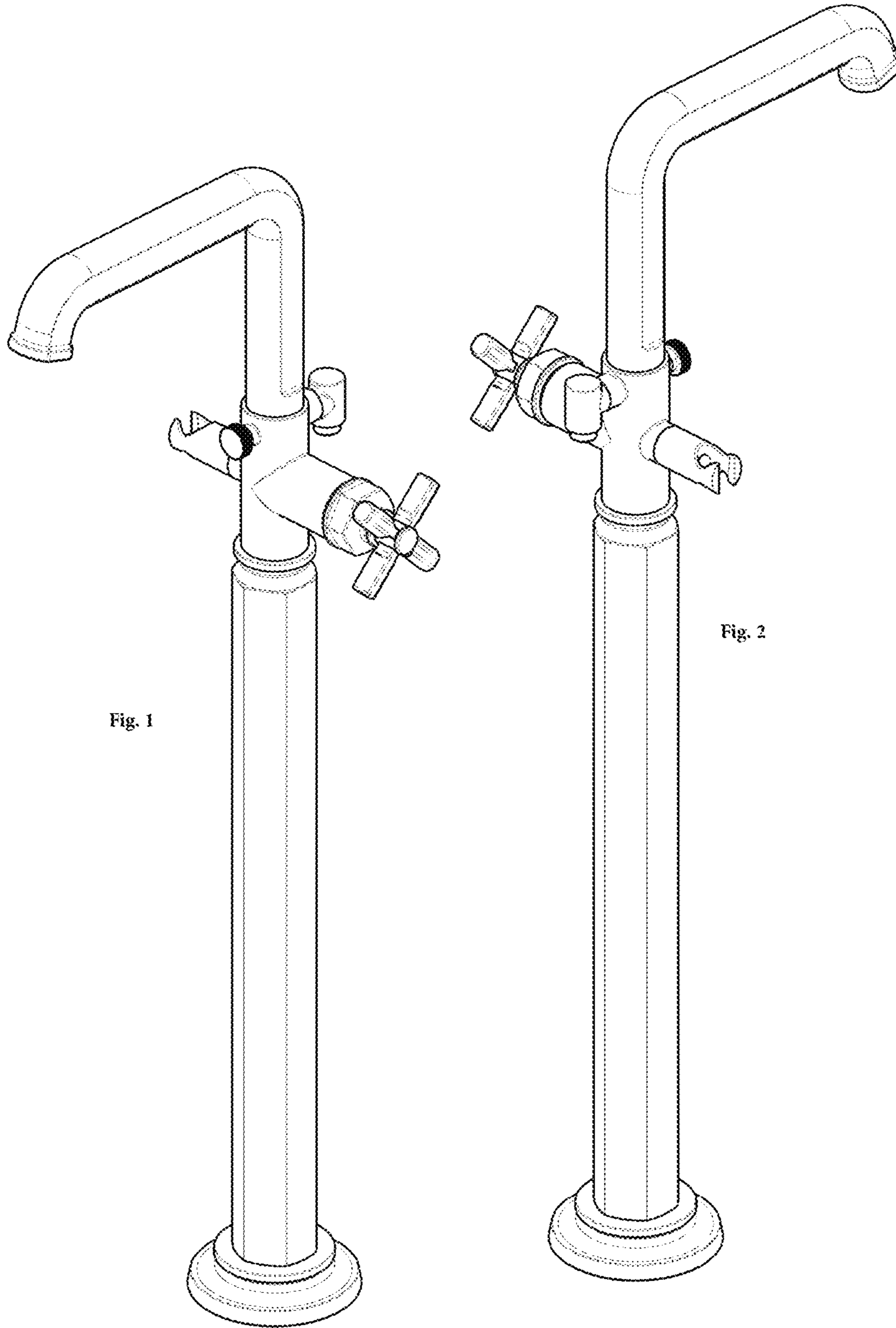


Fig. 1

Fig. 2

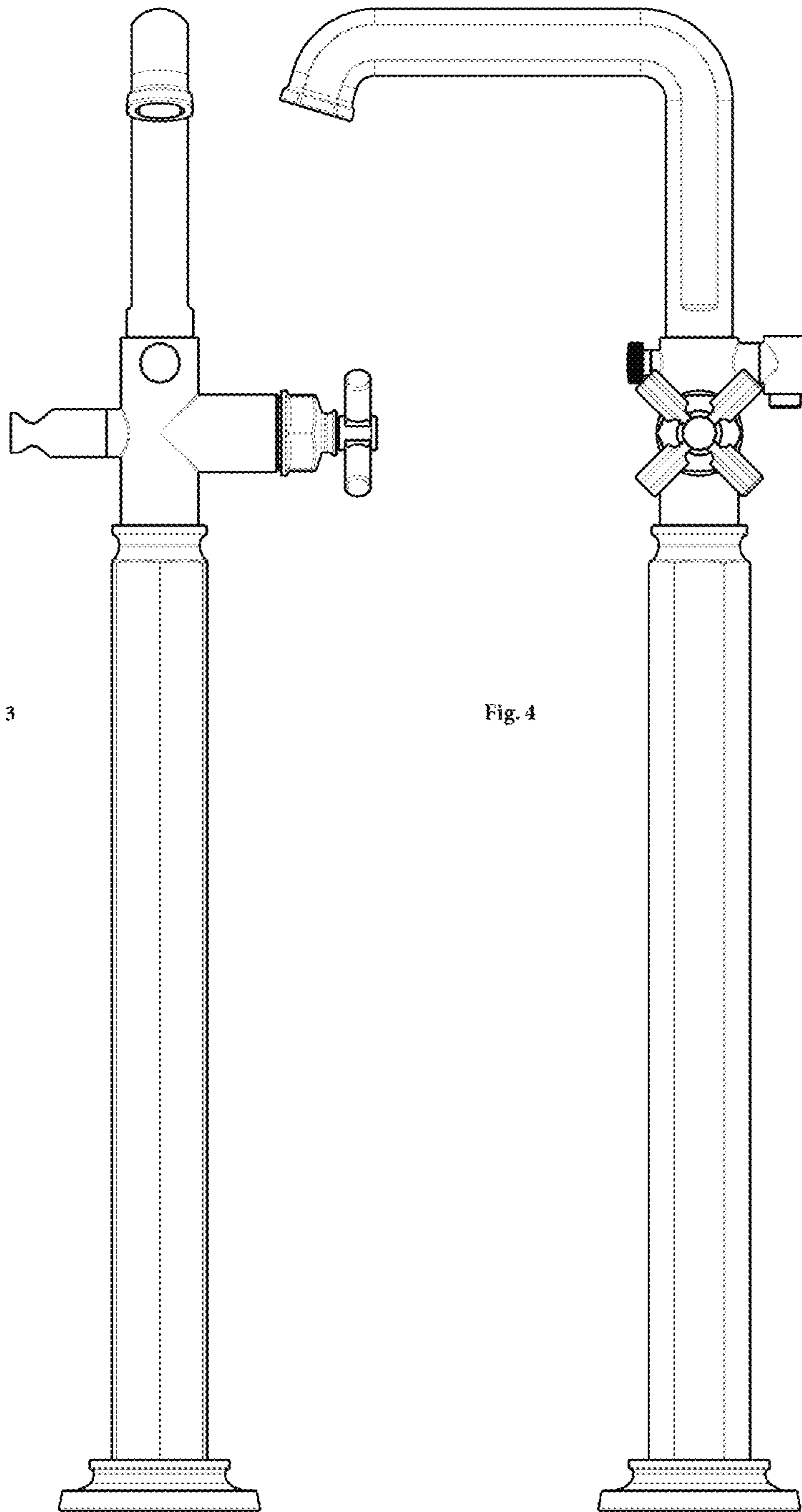
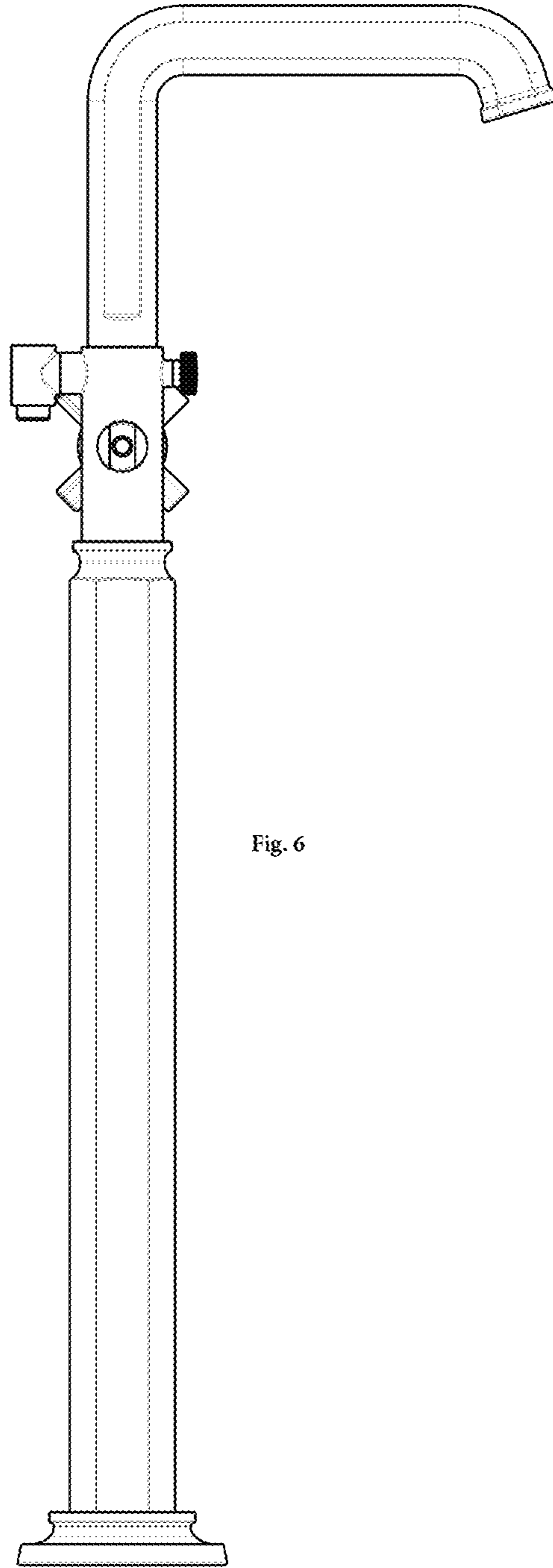
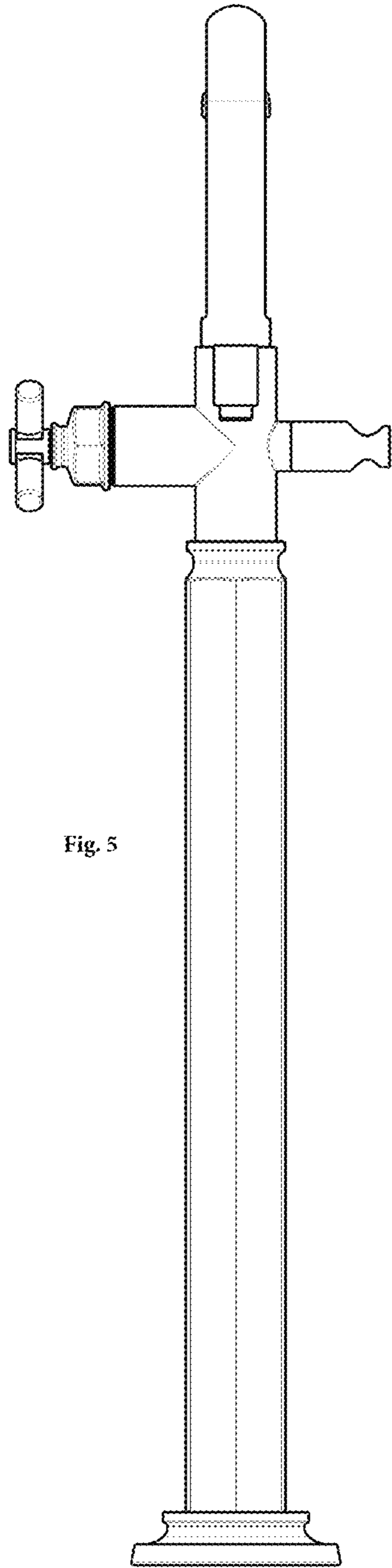


Fig. 3

Fig. 4



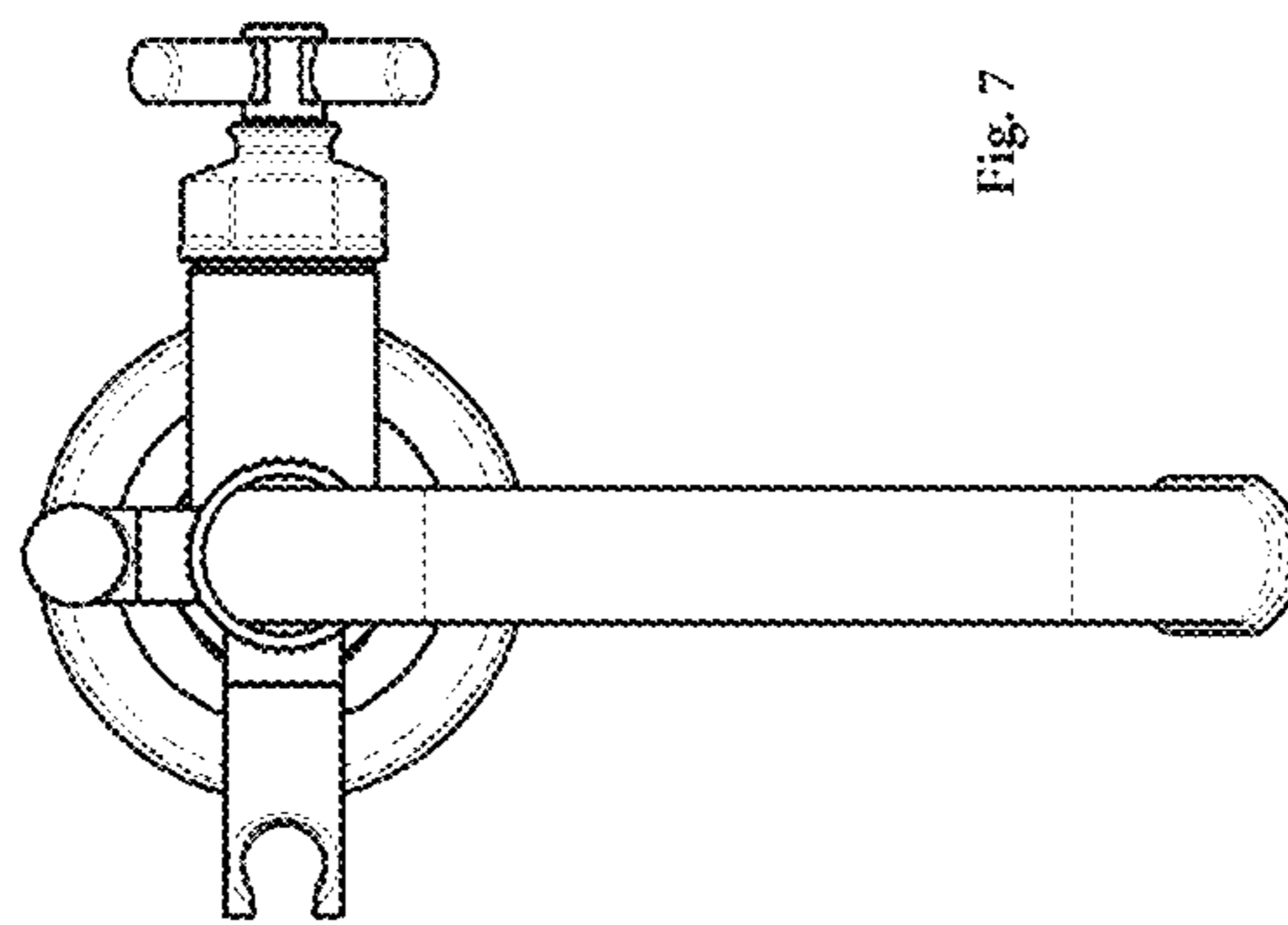


Fig. 7