



US00D868209S

(12) **United States Design Patent** (10) **Patent No.:** **US D868,209 S**
Atwell et al. (45) **Date of Patent:** **** Nov. 26, 2019**

(54) **TOTE TANK**
(71) Applicants: **Jacob Christopher Atwell**, Greensboro, NC (US); **Brandon Wayne Blakely**, Burlington, NC (US)
(72) Inventors: **Jacob Christopher Atwell**, Greensboro, NC (US); **Brandon Wayne Blakely**, Burlington, NC (US)
(73) Assignee: **Camco Manufacturing, Inc.**, Greensboro, NC (US)
(**) Term: **15 Years**
(21) Appl. No.: **29/650,692**
(22) Filed: **Jun. 8, 2018**
(51) **LOC (12) Cl.** **23-01**
(52) **U.S. Cl.**
USPC **D23/225; D23/202**
(58) **Field of Classification Search**
USPC D23/202, 213, 225; D3/273, 279
CPC B05B 9/08; B05B 9/0816; B05B 7/2443; B05B 7/2408; B05B 7/2421
See application file for complete search history.

D647,999 S * 11/2011 Hudson D23/225
D649,624 S * 11/2011 Hudson D23/225
D661,858 S * 6/2012 Lifshitz D34/25
8,205,808 B2 * 6/2012 Leer B05B 9/0816
222/401
D670,788 S * 11/2012 Plantz D23/225
D673,645 S * 1/2013 Delorme D23/202
D698,889 S * 2/2014 Zabalo Ondarra D23/202
8,672,364 B2 * 3/2014 Schrum B05B 9/0406
285/33
8,757,446 B1 * 6/2014 Liu B65D 83/42
222/153.04
D725,453 S * 3/2015 Lodato D8/91
D731,027 S * 6/2015 Sanz Perez D23/225
D743,505 S * 11/2015 Clarey D23/225
D749,698 S * 2/2016 Pereira Dos Reis D23/225
D749,699 S * 2/2016 Nicolia D23/202

(Continued)

Primary Examiner — Manpreet S Matharu
Assistant Examiner — Keith J Wilson
(74) *Attorney, Agent, or Firm* — Tuggle Duggins P.A.;
Blake P. Hurt

(57) **CLAIM**

The ornamental design for a tote tank, as shown and described.

DESCRIPTION

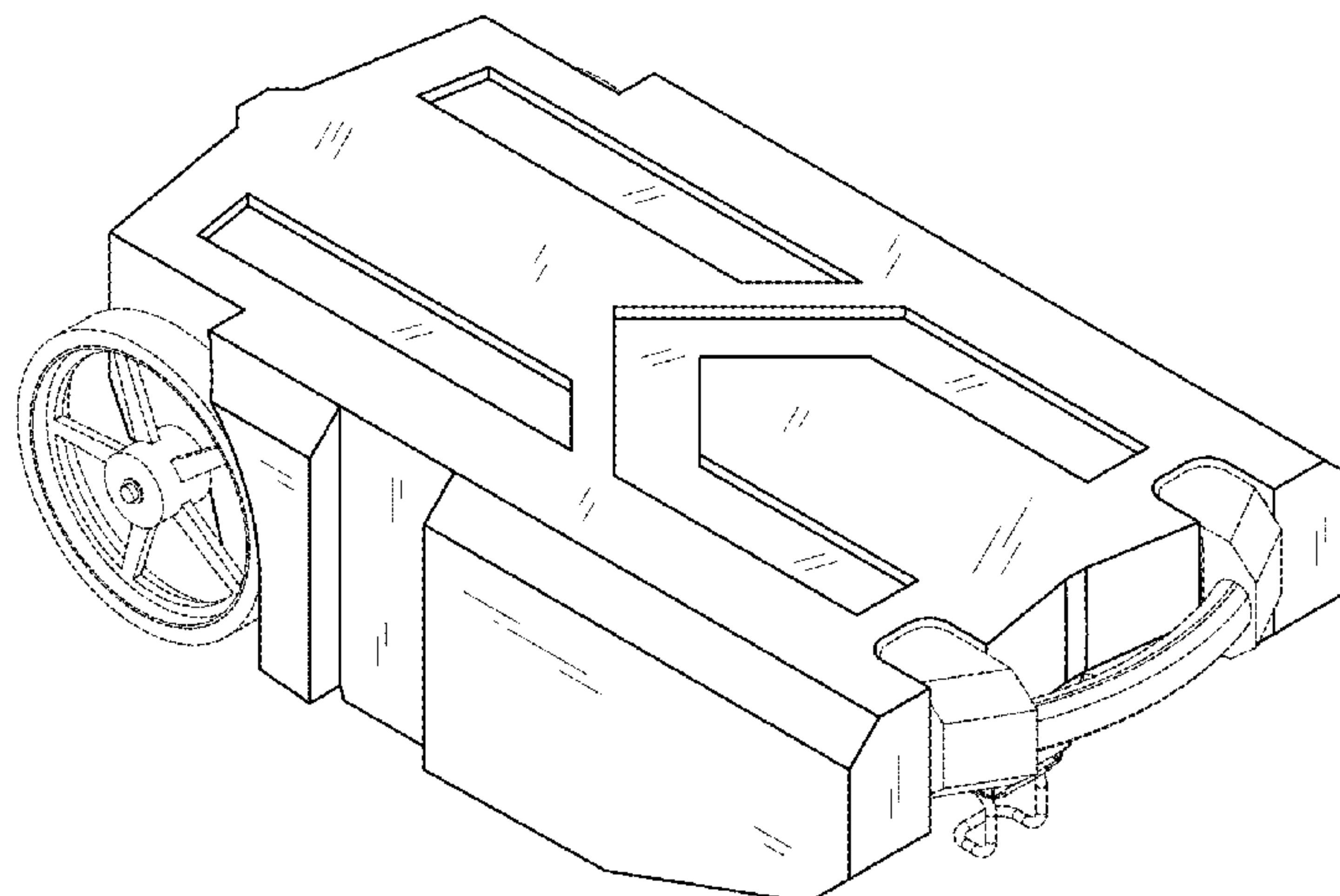
FIG. 1 is a top, front, left side perspective view a tote tank showing our new design;
FIG. 2 is a bottom, back, left side perspective view thereof;
FIG. 3 is a top plan view thereof;
FIG. 4 is a bottom plan view thereof;
FIG. 5 is a left side elevational view thereof;
FIG. 6 is a right side elevational view thereof;
FIG. 7 is a back elevational thereof; and,
FIG. 8 is a front elevational view thereof.
The broken lines illustrate portions of the tote tank that form no part of the claimed design.

1 Claim, 8 Drawing Sheets

(56) **References Cited**

U.S. PATENT DOCUMENTS

D288,586 S * 3/1987 Moskalik D23/225
D312,297 S * 11/1990 Ballu D23/225
5,072,884 A * 12/1991 Ellison A01M 7/0085
215/365
D327,528 S * 6/1992 Sears D23/225
6,129,117 A 10/2000 Eriksson
D441,161 S * 4/2001 Shetterly D34/24
D516,168 S * 2/2006 Leer D23/225
7,260,955 B1 * 8/2007 Uranga B05B 9/0816
62/244
D614,263 S * 4/2010 Hudson D23/225
D639,388 S * 6/2011 Plantz D23/225



(56)

References Cited

U.S. PATENT DOCUMENTS

D800,253 S * 10/2017 Oyarbide D23/225
D815,713 S * 4/2018 Ip D23/202
D822,161 S * 7/2018 Bonaventura D23/225
2003/0019954 A1* 1/2003 Clarke B05B 9/0816
239/333
2010/0123026 A1* 5/2010 Leer B05B 9/0816
239/333
2010/0327079 A1* 12/2010 Wu A01M 7/0046
239/288
2014/0034685 A1* 2/2014 Meyers B05B 11/30
222/401
2017/0106385 A1* 4/2017 Schrum B05B 9/043

* cited by examiner

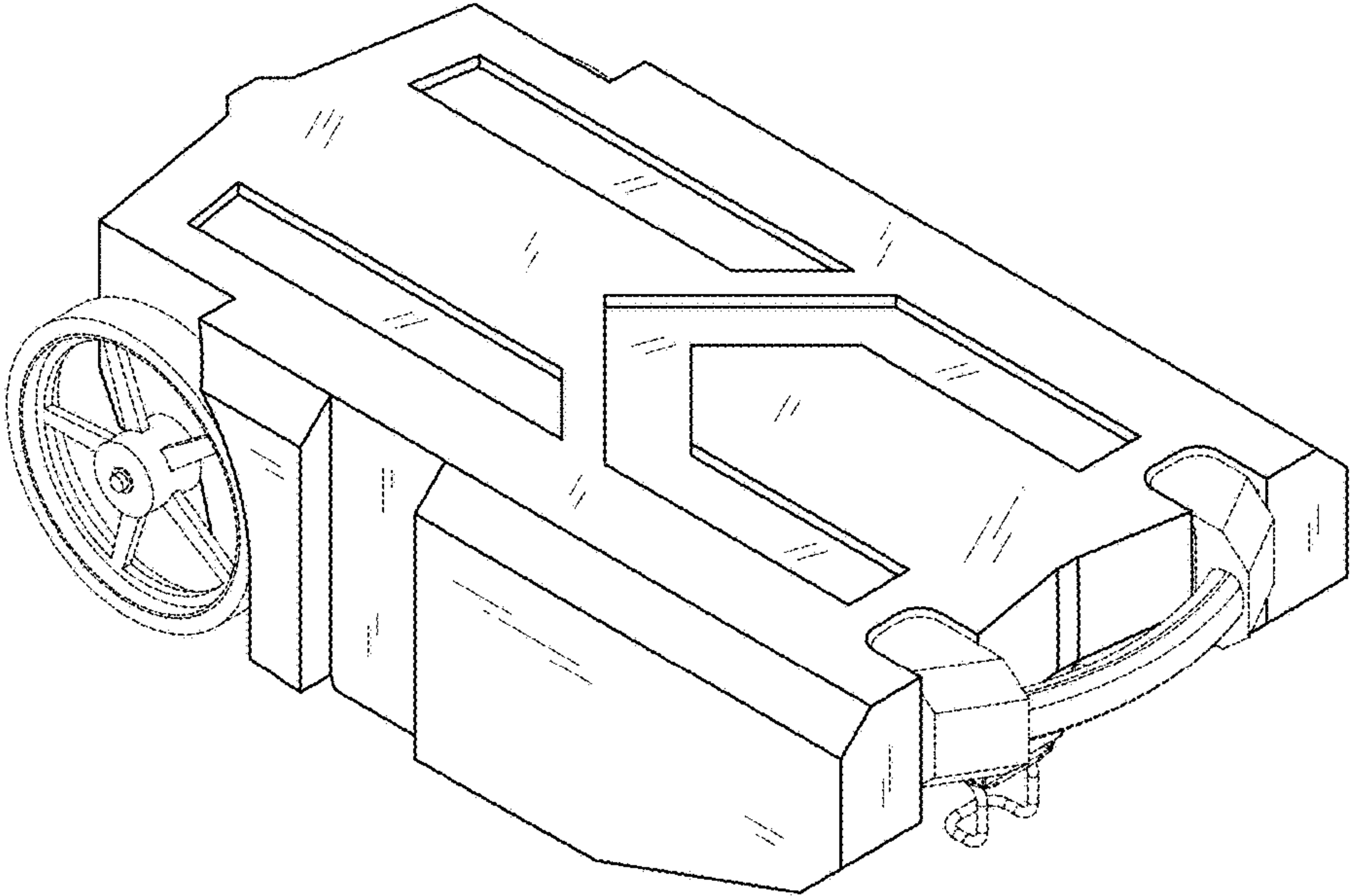


FIG. 1

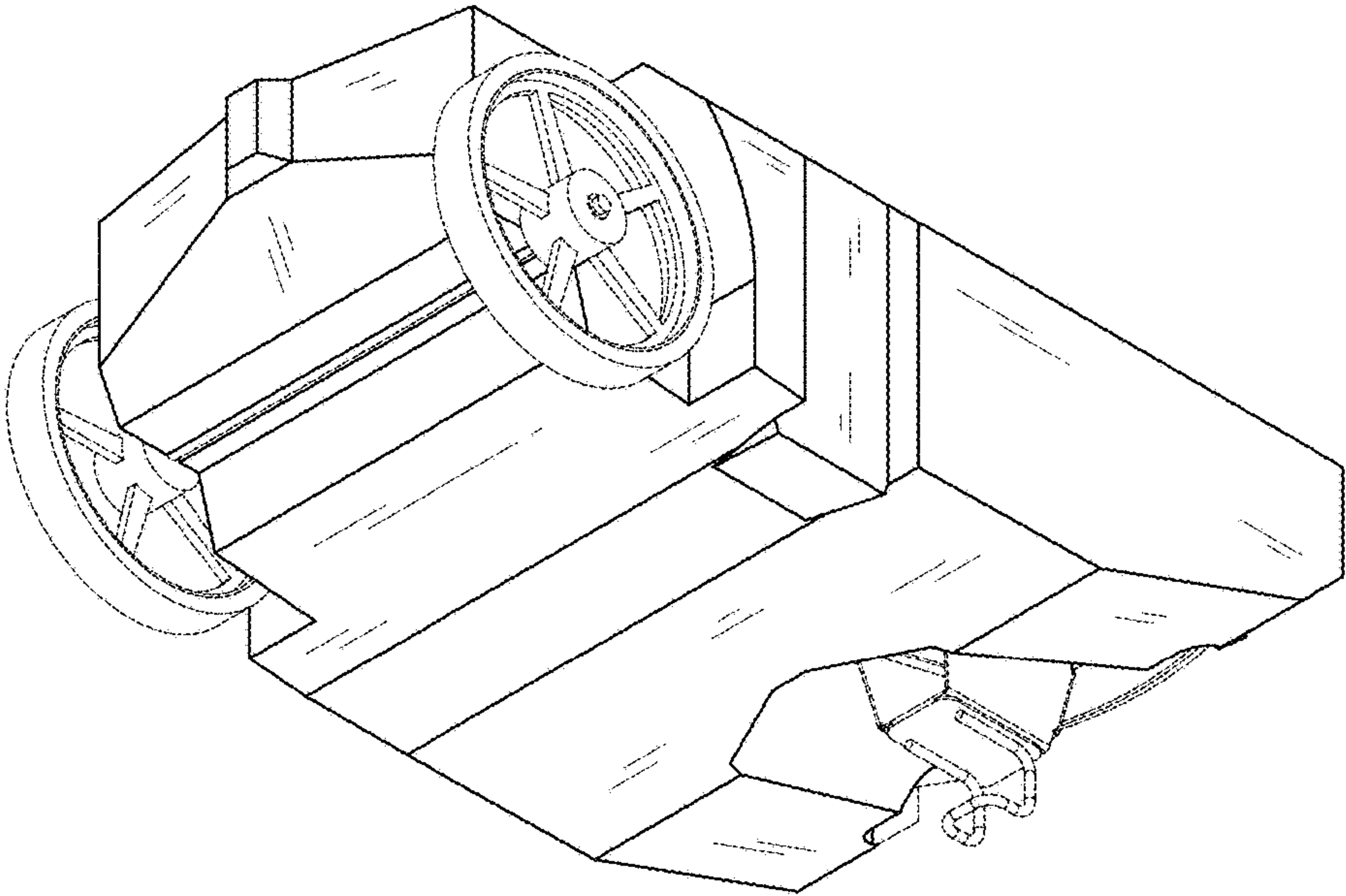


FIG. 2

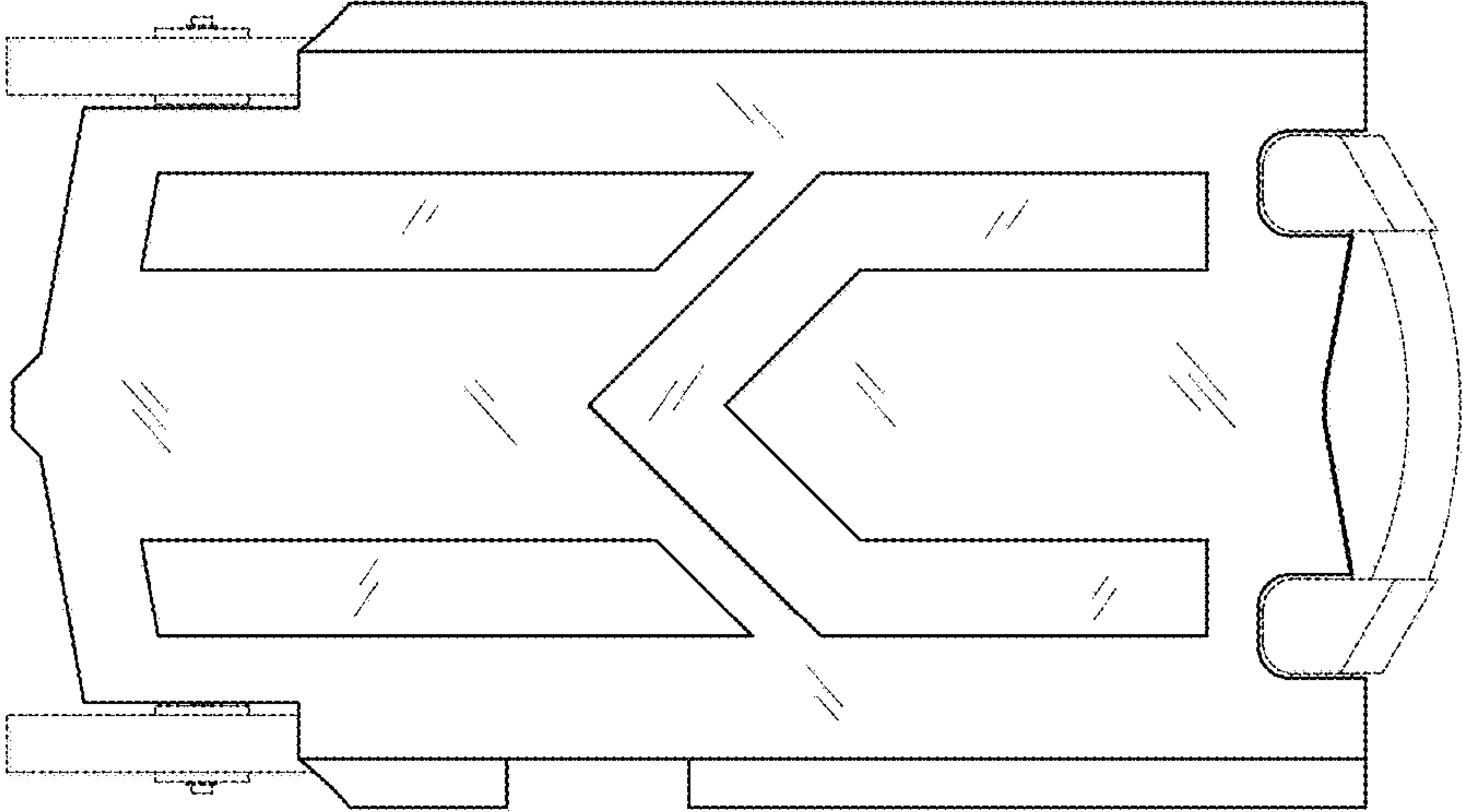


FIG. 3

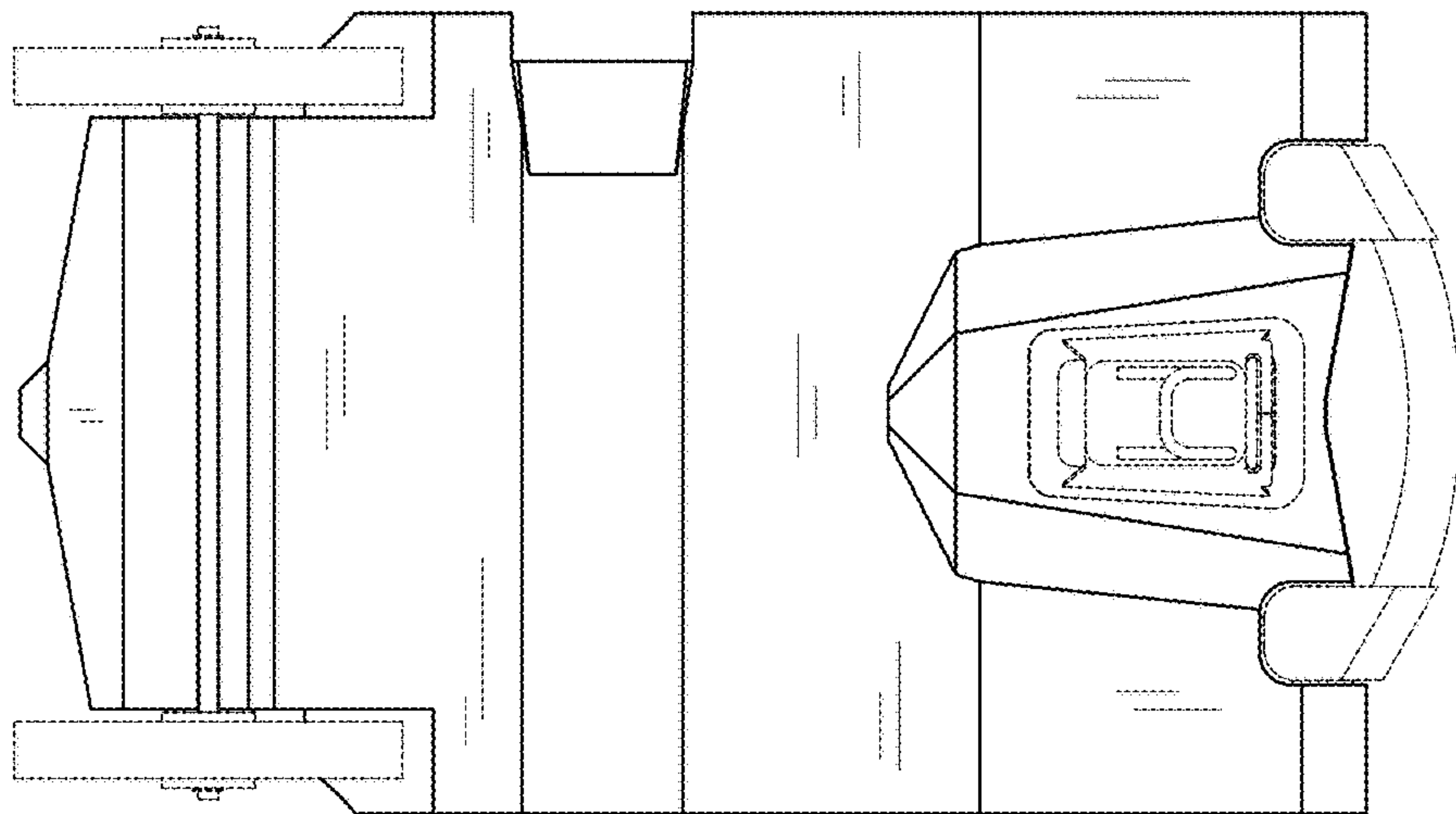


FIG. 4

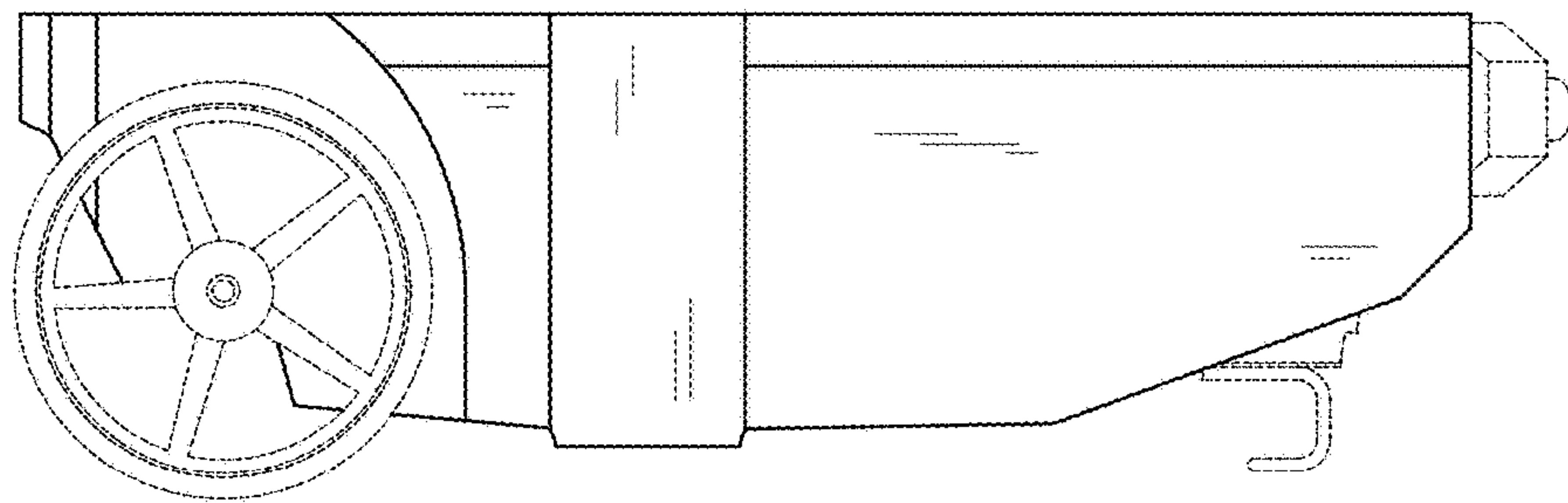


FIG. 5

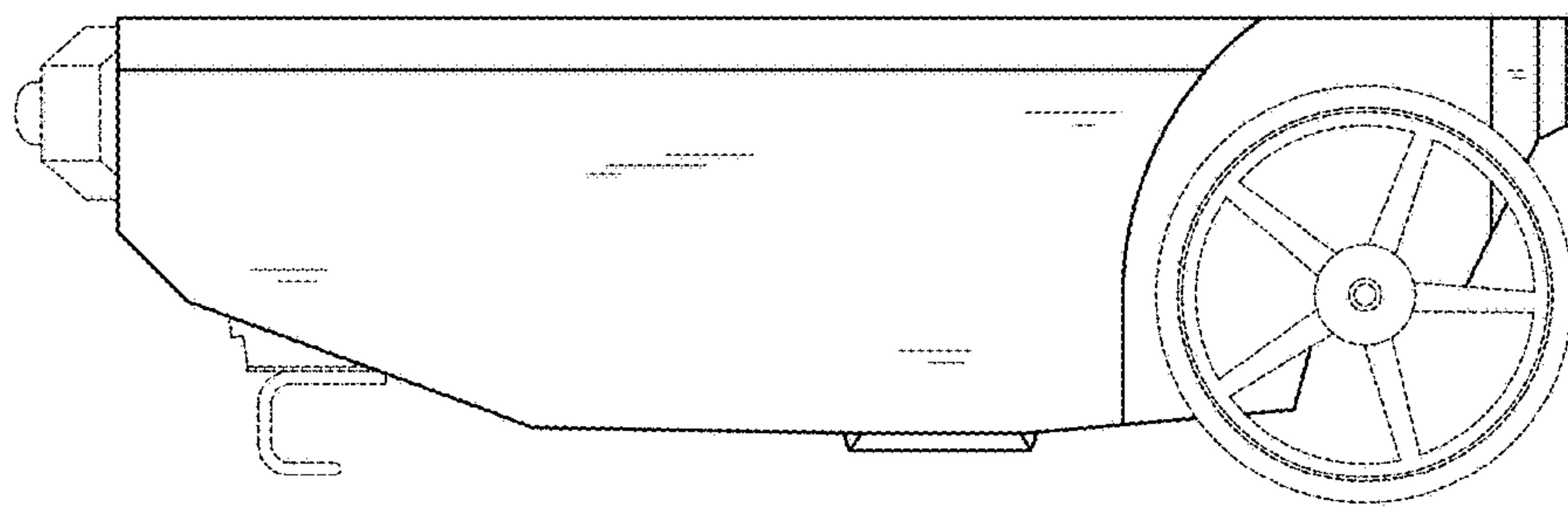


FIG. 6

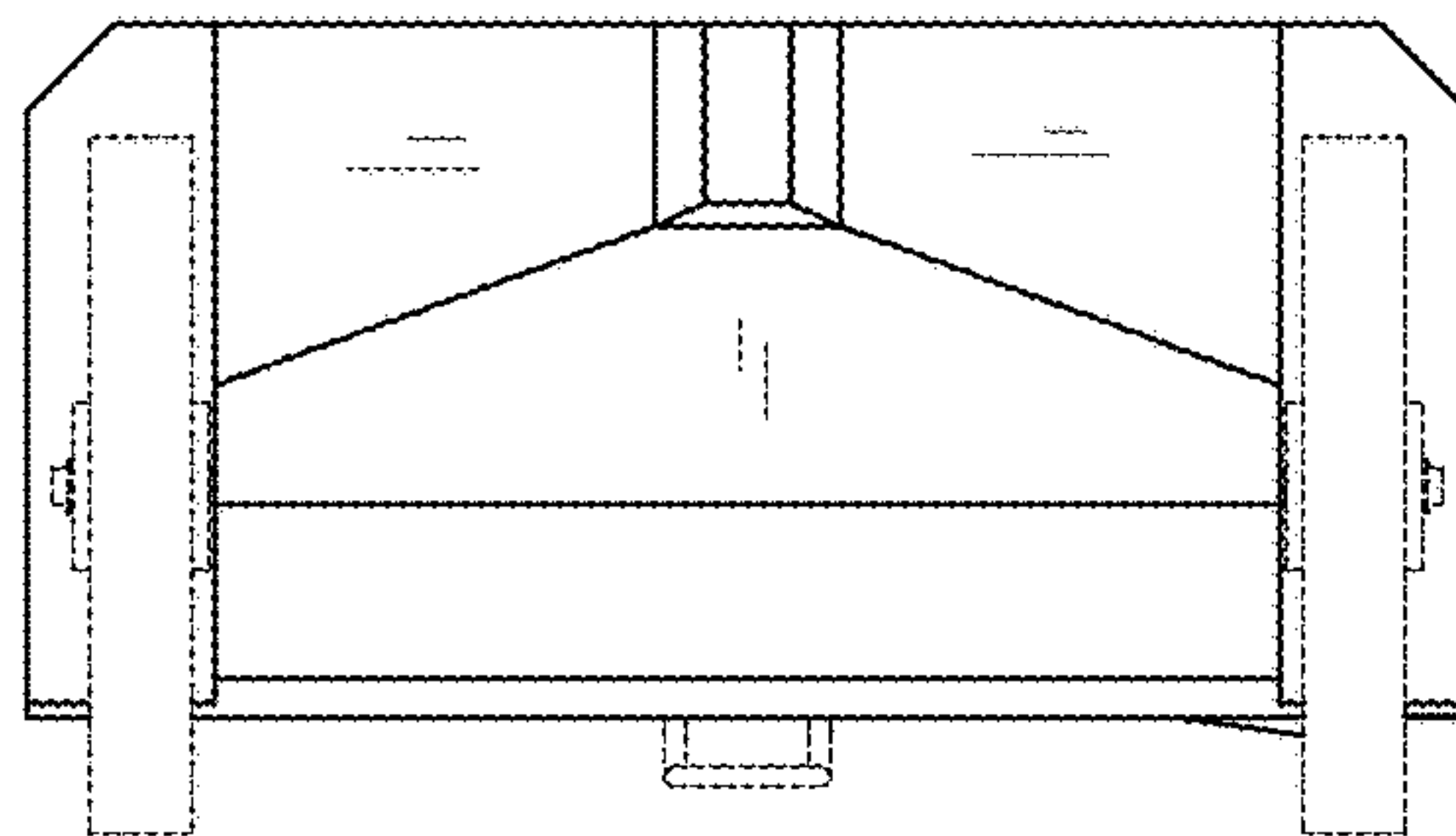


FIG. 7

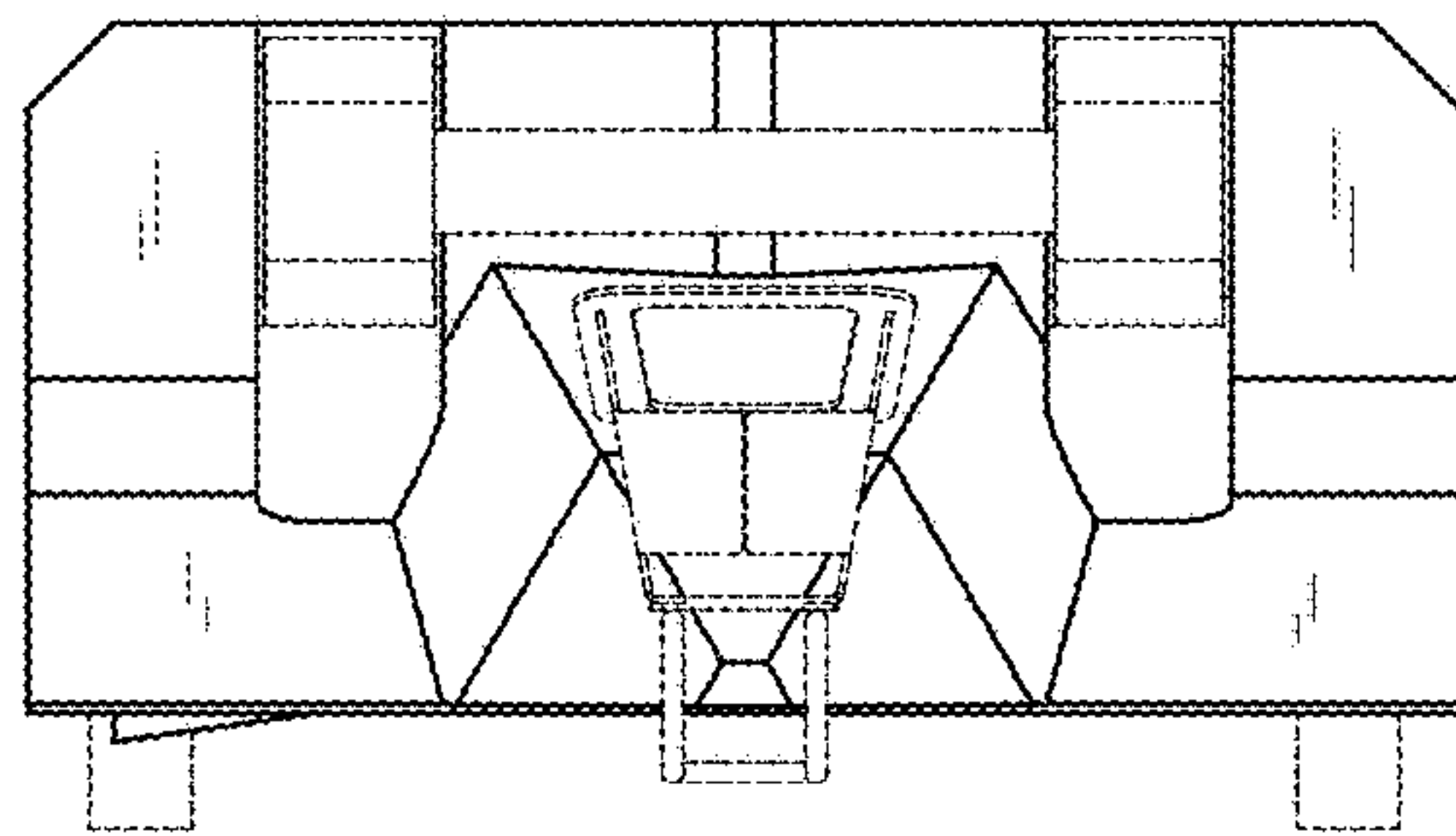


FIG. 8