



US00D868207S

(12) **United States Design Patent**  
**Hsieh**

(10) **Patent No.:** **US D868,207 S**

(45) **Date of Patent:** **\*\* Nov. 26, 2019**

(54) **SPRINKLER**

(71) Applicant: **Yuan Pin Industrial Co., Ltd.**,  
Chang-Hua County (TW)

(72) Inventor: **Ming-Chih Hsieh**, Chang-Hua County  
(TW)

(73) Assignee: **Yuan Pin Industrial Co., Ltd.**,  
Chang-Hua County (TW)

(\*\*) Term: **15 Years**

(21) Appl. No.: **29/648,791**

(22) Filed: **May 24, 2018**

(51) **LOC (12) Cl.** ..... **23-01**

(52) **U.S. Cl.**  
USPC ..... **D23/214**

(58) **Field of Classification Search**  
USPC ..... D23/213, 214, 215, 217, 219, 220, 223,  
D23/224, 226, 229, 230

CPC ..... A61H 9/0021; A61H 33/00; B05B 1/00;  
B05B 1/14; B05B 1/185; B05B 1/08;  
B05B 1/02; B05B 1/26; B05B 12/002;  
B05B 1/18; B05B 9/01

See application file for complete search history.

(56) **References Cited**

**U.S. PATENT DOCUMENTS**

D238,670 S \* 2/1976 Beamer ..... D23/220  
D277,127 S \* 1/1985 Mackay ..... D23/214  
D296,920 S \* 7/1988 Evans ..... D23/214  
D307,044 S \* 4/1990 Johnston ..... D23/220  
D313,269 S \* 12/1990 Clivio ..... D23/220

D346,009 S \* 4/1994 Simonetti ..... D23/220  
D397,203 S \* 8/1998 Wang ..... D23/214  
D415,248 S \* 10/1999 Roman ..... D23/214  
D421,639 S \* 3/2000 Clivio ..... D23/214  
D457,597 S \* 5/2002 Chen ..... D23/220  
D465,260 S \* 11/2002 Chen ..... D23/214  
D466,973 S \* 12/2002 Clivio ..... D23/214  
D467,301 S \* 12/2002 Clivio ..... D23/214  
D492,005 S \* 6/2004 Wang ..... D23/214  
D498,513 S \* 11/2004 Hudman ..... D23/214  
D606,622 S \* 12/2009 Sorenson ..... D23/214  
D615,154 S \* 5/2010 Cheng ..... D23/214  
D615,611 S \* 5/2010 Cheng ..... D23/214  
D754,284 S \* 4/2016 Stowers ..... D23/216

\* cited by examiner

*Primary Examiner* — Manpreet S Matharu

*Assistant Examiner* — Keith J Wilson

(74) *Attorney, Agent, or Firm* — Alan D. Kamrath; Karin  
L. Williams; Mayer & Williams PC

(57) **CLAIM**

The ornamental design for a sprinkler, as shown.

**DESCRIPTION**

FIG. 1 is a perspective view of a sprinkler showing my new design;

FIG. 2 is a front view thereof;

FIG. 3 is a rear view thereof;

FIG. 4 is a left view thereof;

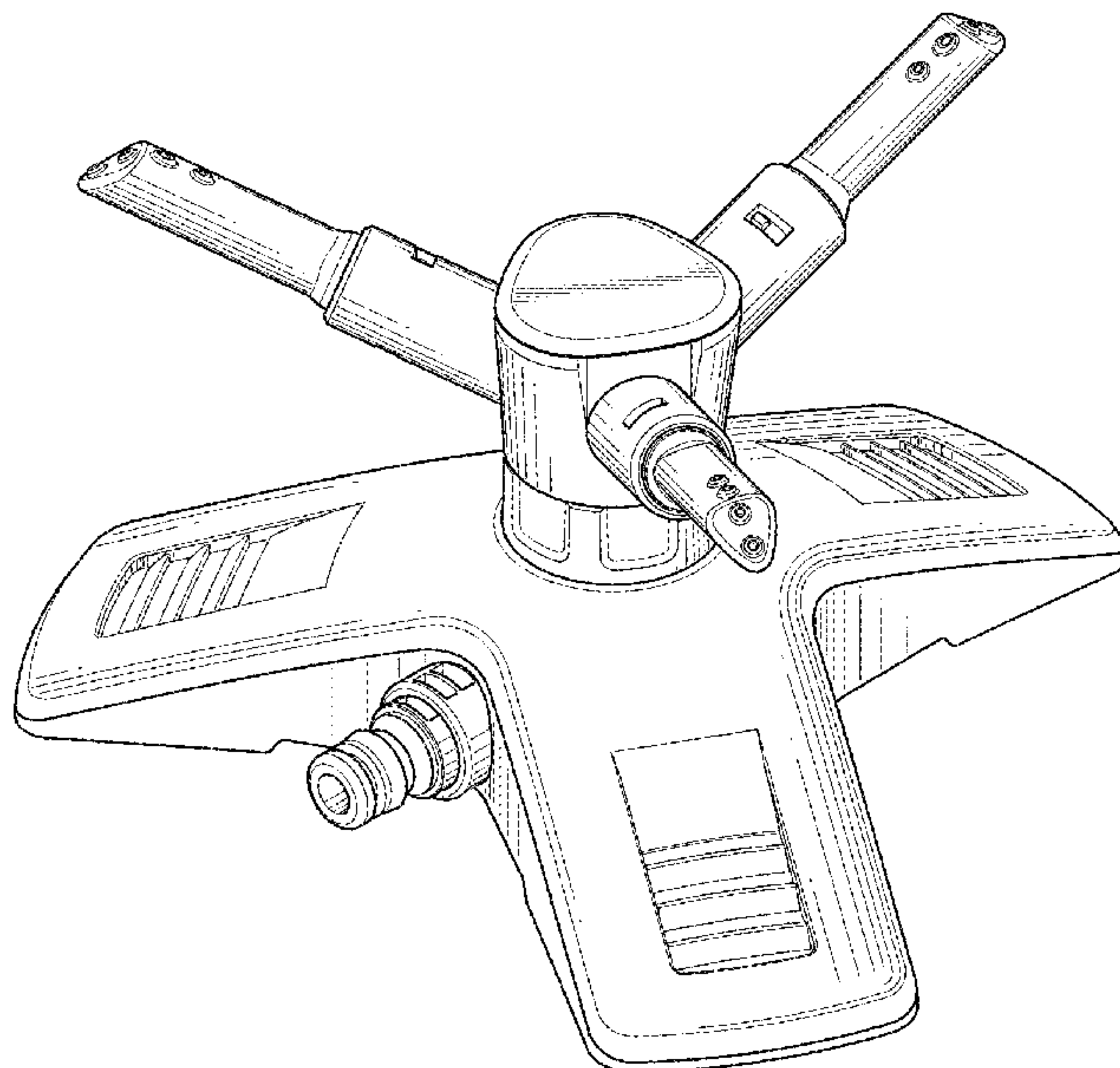
FIG. 5 is a right view thereof;

FIG. 6 is a top view thereof; and,

FIG. 7 is a bottom view thereof.

The broken lines illustrate portions of the sprinkler that do not form part of the claimed design.

**1 Claim, 7 Drawing Sheets**



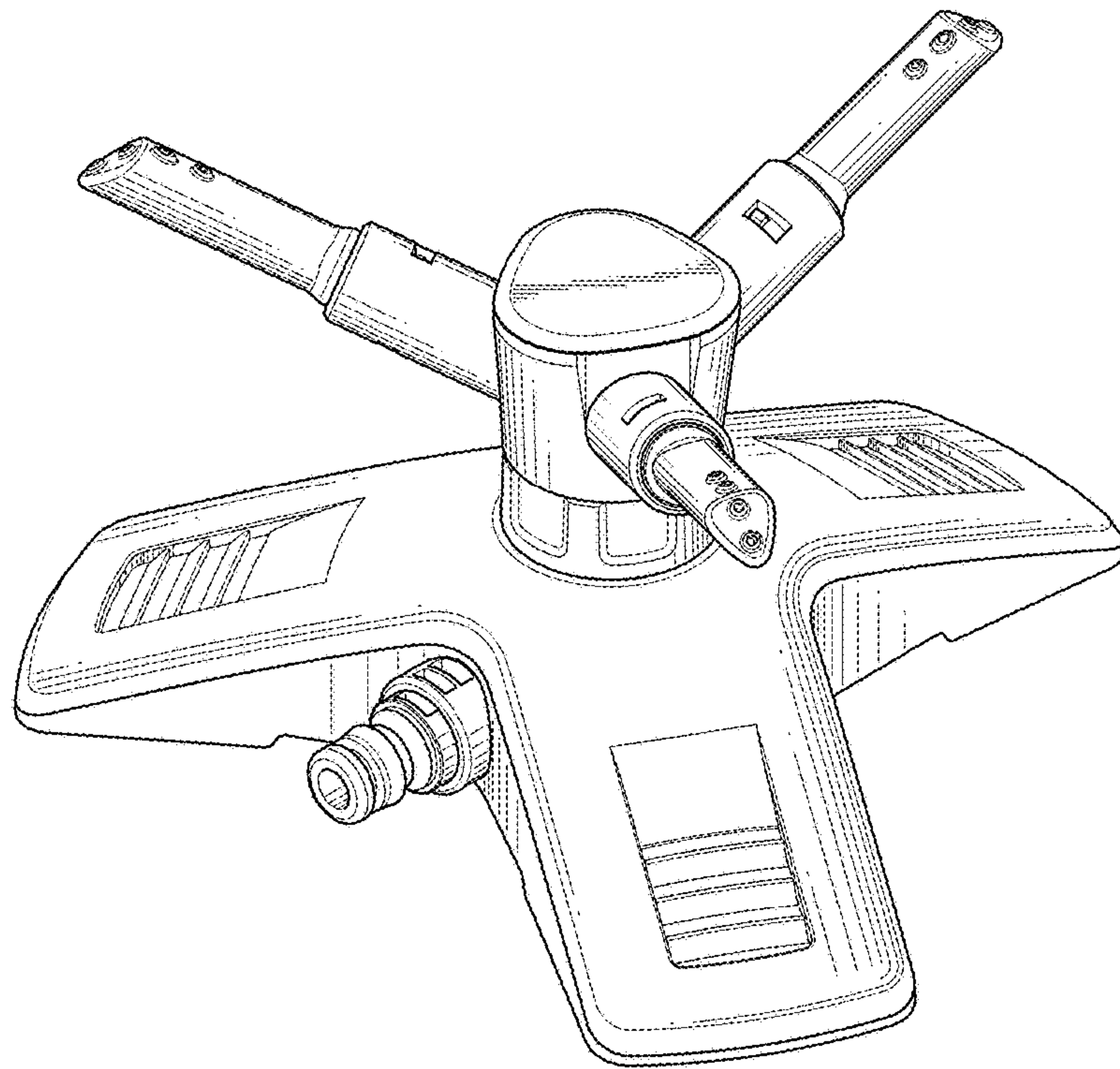


FIG. 1

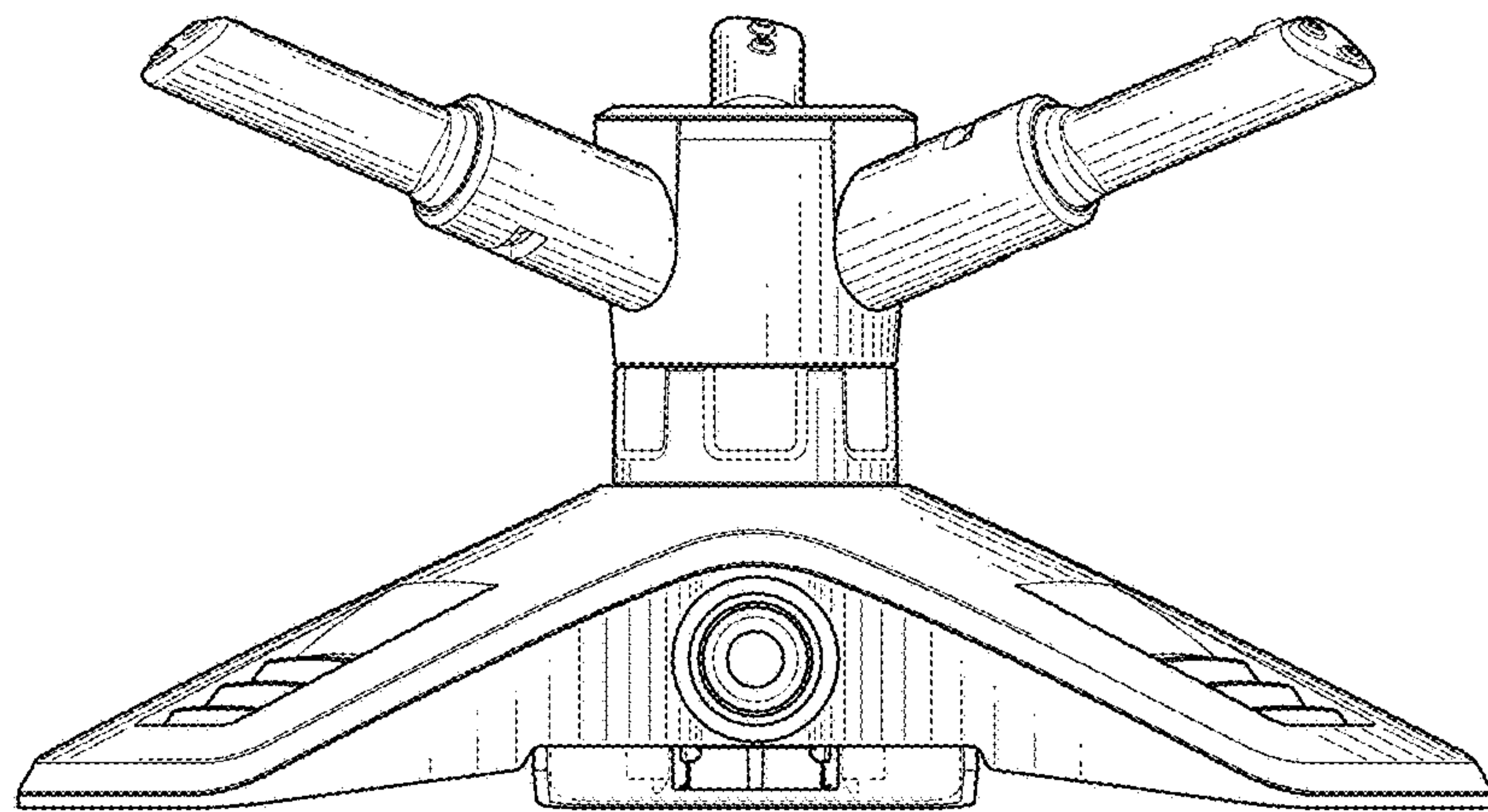


FIG. 2

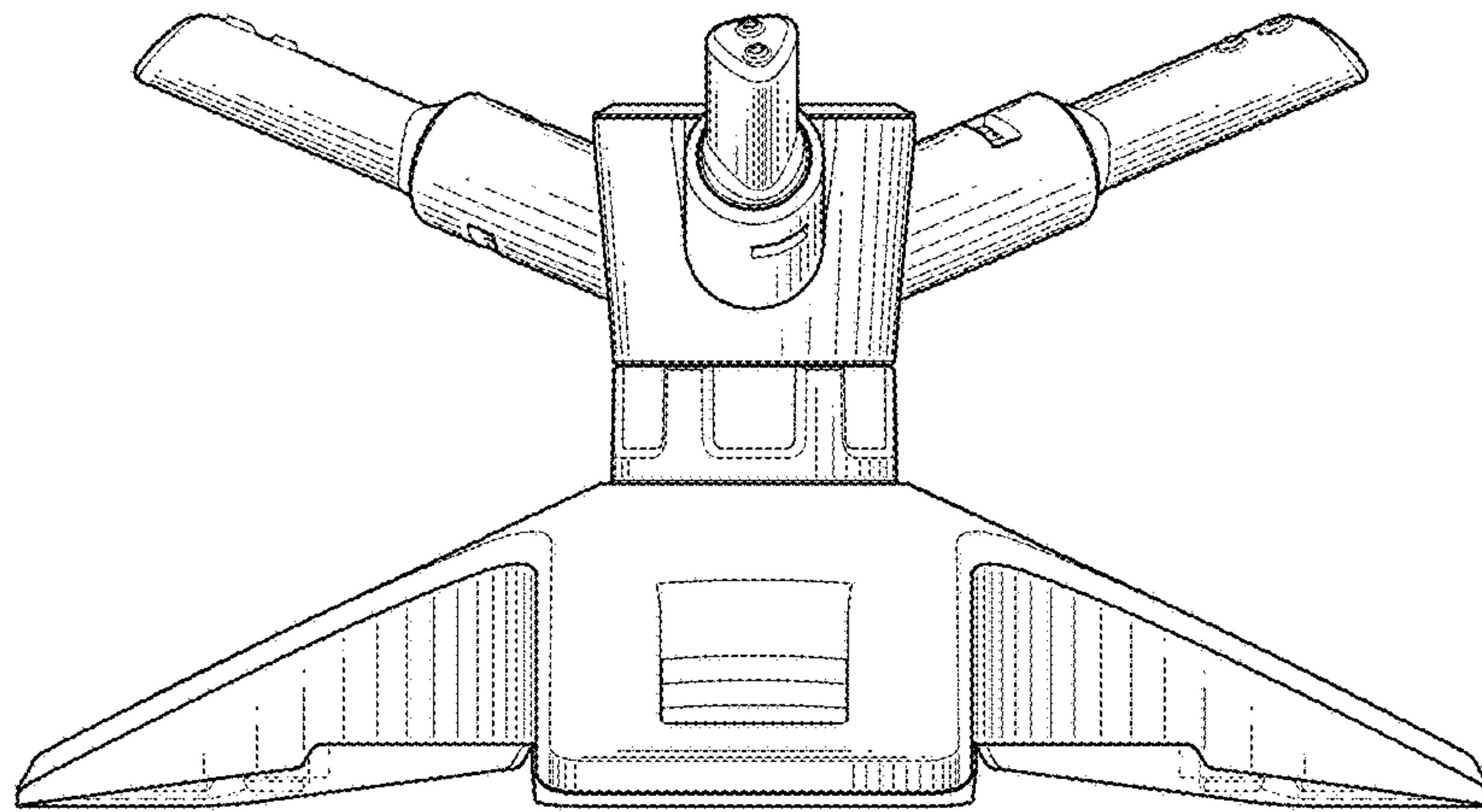


FIG. 3

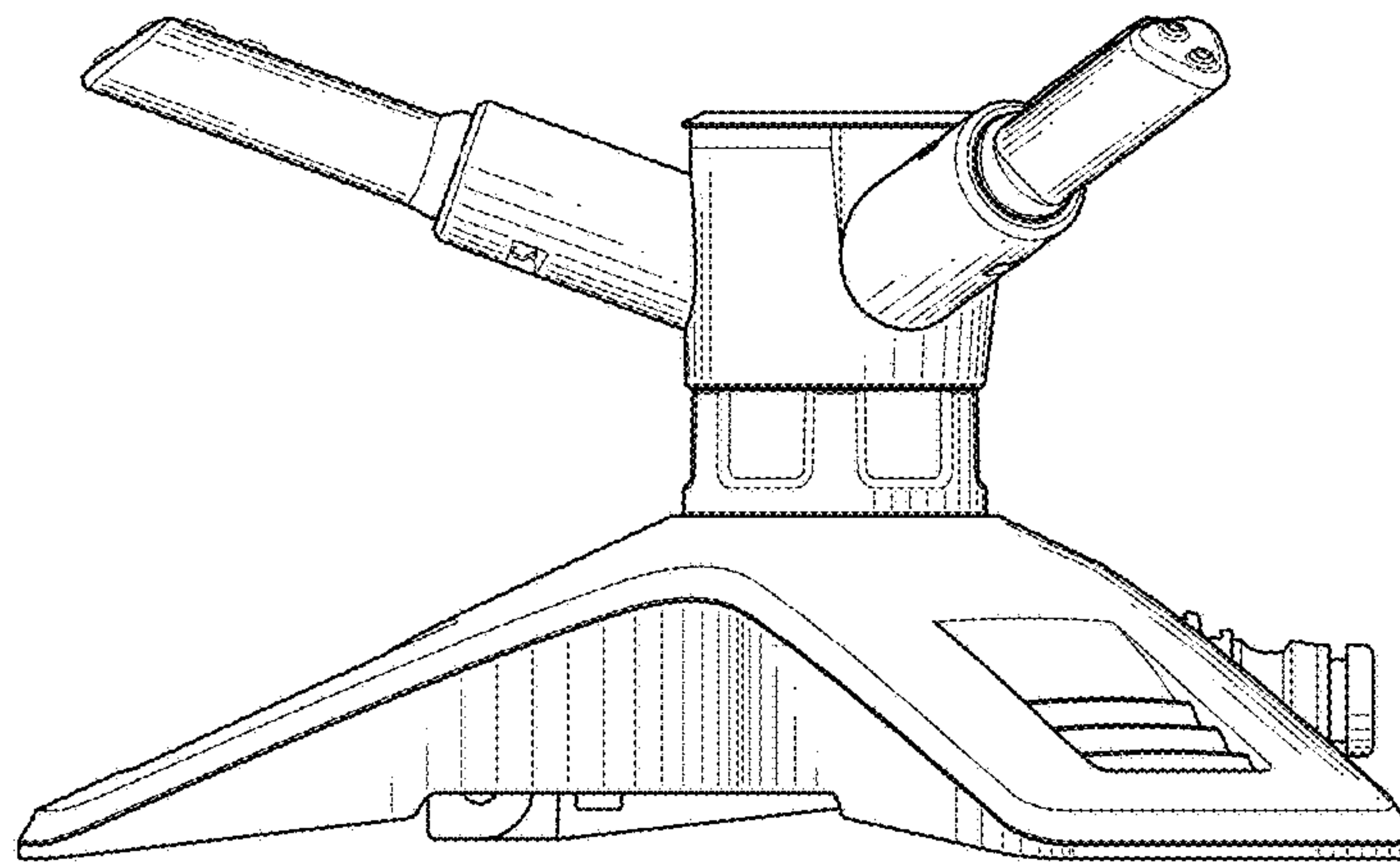


FIG. 4



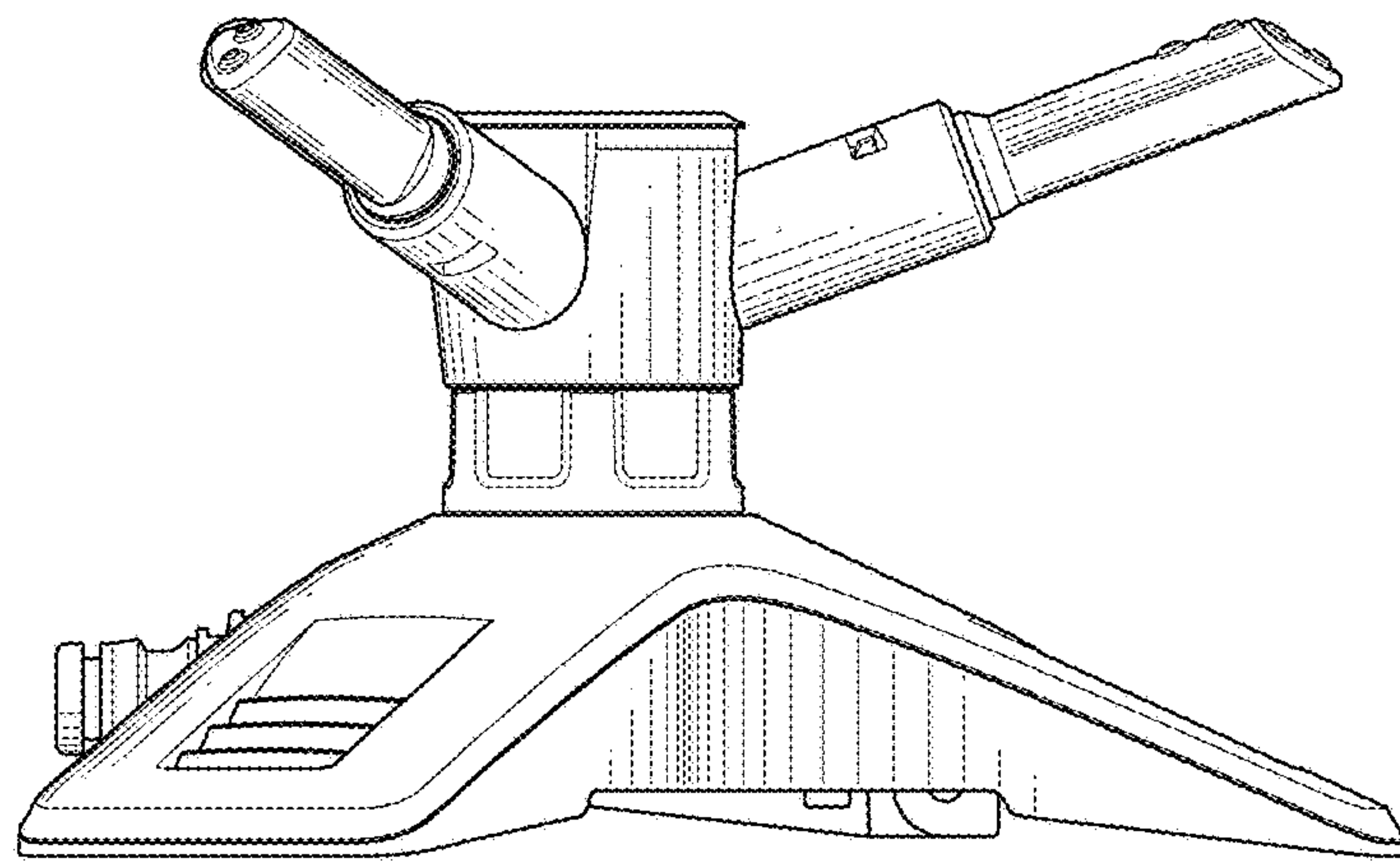


FIG. 5

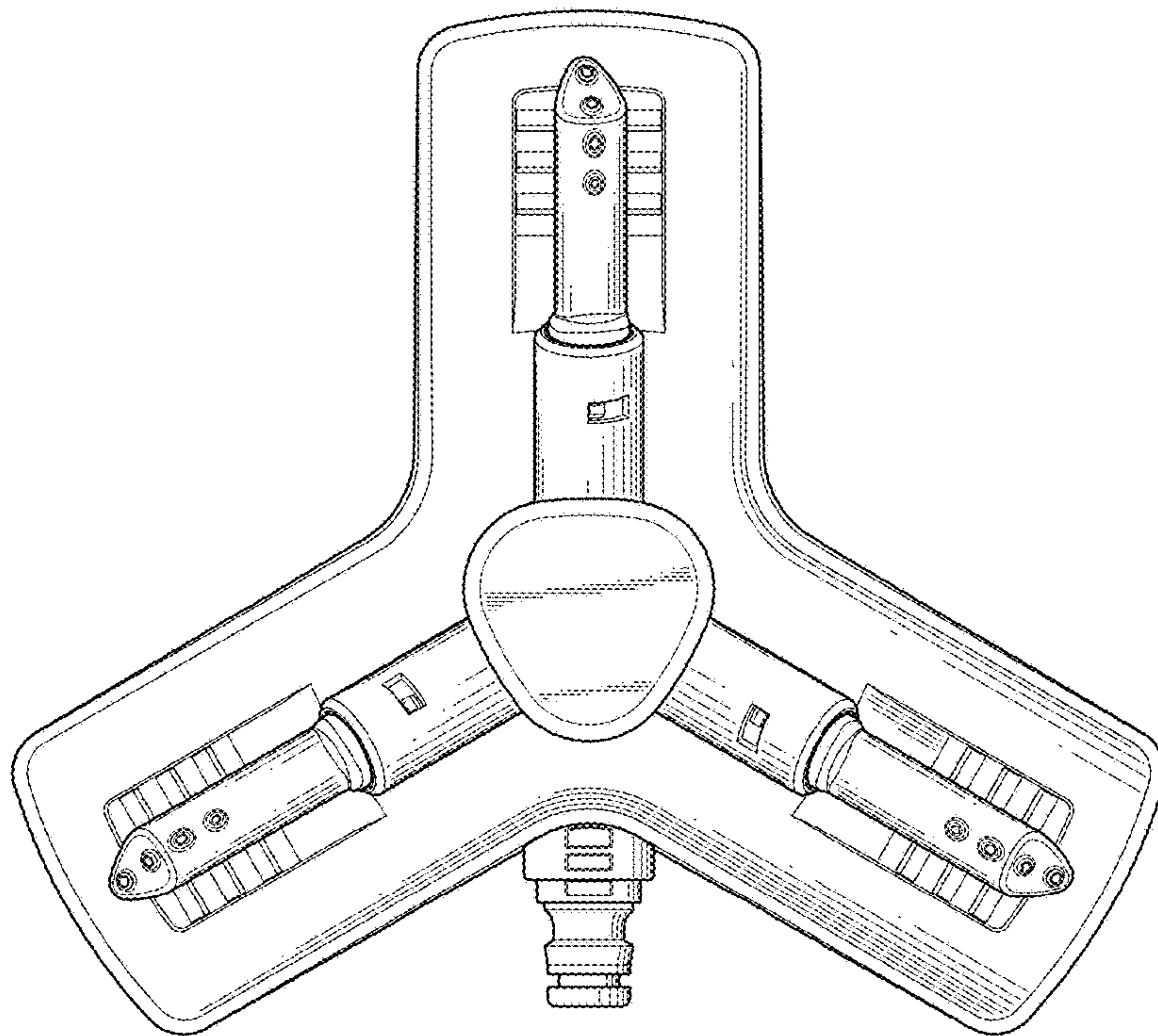


FIG. 6

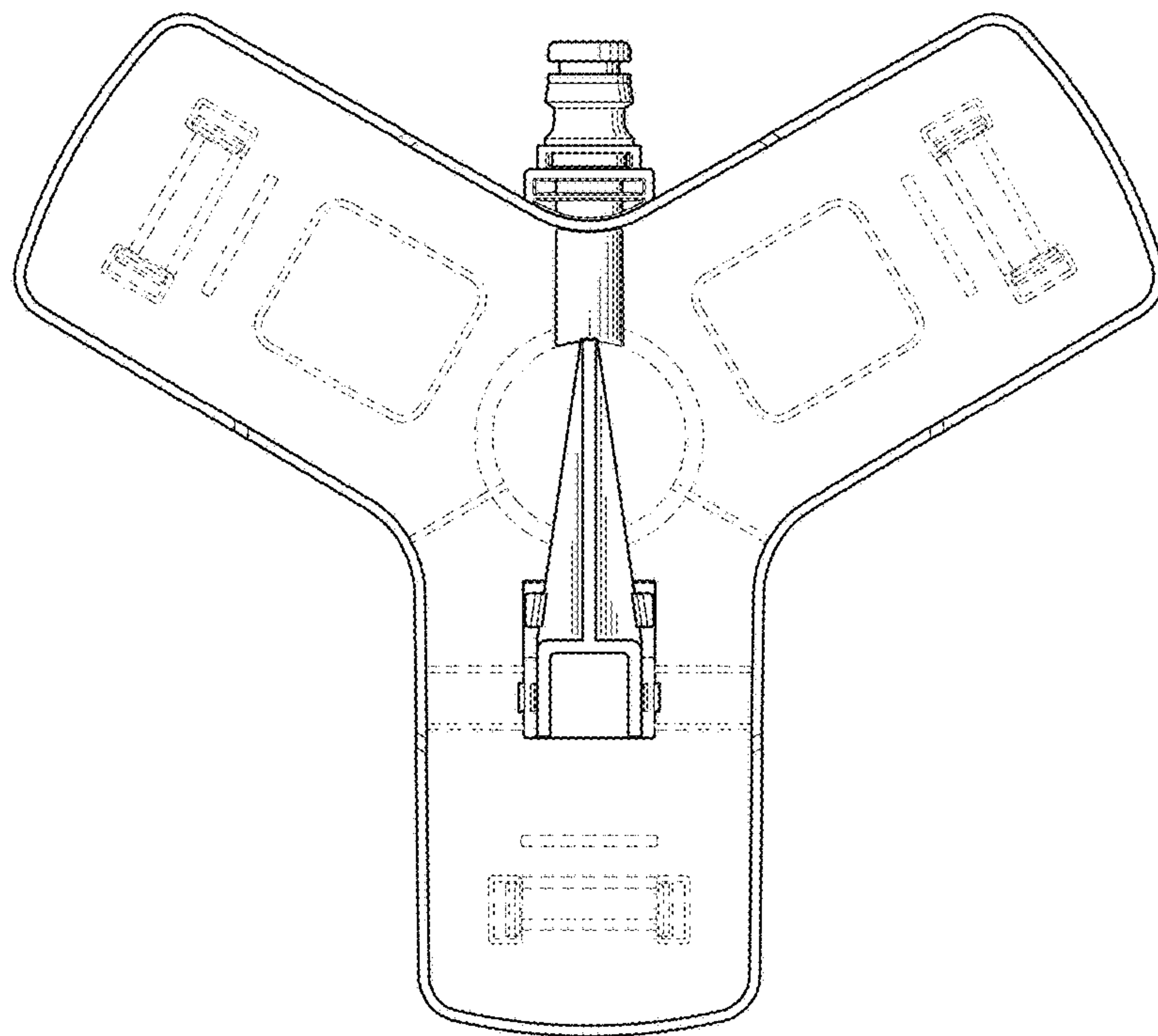


FIG. 7