



US00D868206S

(12) **United States Design Patent** (10) **Patent No.:** **US D868,206 S**  
**Carrière et al.** (45) **Date of Patent:** **\*\* Nov. 26, 2019**

- (54) **POOL SKIMMER**
- (71) Applicant: **CPA POOL PRODUCTS, INC.**,  
Blainville (CA)
- (72) Inventors: **William Carrière**, Pointe-Claire (CA);  
**Angela D'Antonio**, Blainville (CA)
- (73) Assignee: **CPA POOL PRODUCTS, INC.**,  
Blainville (CA)
- (\*\*) Term: **15 Years**
- (21) Appl. No.: **29/644,615**
- (22) Filed: **Apr. 19, 2018**
- (51) **LOC (12) Cl.** ..... **23-01**
- (52) **U.S. Cl.**  
USPC ..... **D23/209; D32/35; D22/135**
- (58) **Field of Classification Search**  
USPC ..... **D22/135; D23/209-210, 261; D32/35;**  
**D30/162**  
CPC ..... **A47L 13/08; A47L 17/06; A47L 13/022;**  
**A47L 1/16; A63F 3/068; B29C 63/0047;**  
**B60S 3/045; B27G 17/00; B60J 3/0295;**  
**B25B 13/48; B25G 1/04; B25G 3/26;**  
**B05C 17/0205; A45B 9/02**  
See application file for complete search history.

- D492,825 S \* 7/2004 Pecci ..... D32/35
- D550,805 S \* 9/2007 Hazlehurst ..... D23/209
- D557,374 S \* 12/2007 Pecca ..... D23/209
- D598,196 S \* 8/2009 Vreeland ..... D23/261
- D600,324 S \* 9/2009 Vreeland ..... D23/261
- D604,800 S \* 11/2009 Vreeland ..... D23/209
- D628,350 S \* 11/2010 Rossano ..... D32/35
- D638,182 S \* 5/2011 Rossano ..... D32/35
- D638,183 S \* 5/2011 Rossano ..... D32/35
- D672,438 S \* 12/2012 Noel ..... D23/261
- D694,851 S \* 12/2013 Solakian ..... D23/209
- D694,852 S \* 12/2013 Gordon ..... D23/209
- 8,679,329 B2 \* 3/2014 Vreeland ..... E03F 5/0404  
210/164
- 9,079,128 B2 \* 7/2015 Parcell ..... B01D 29/35
- D761,498 S \* 7/2016 Minter ..... D30/162
- D763,520 S \* 8/2016 Runyan ..... D30/162

(Continued)

*Primary Examiner* — Shannon W Morgan  
*Assistant Examiner* — Keith J Wilson  
(74) *Attorney, Agent, or Firm* — Hodgson Russ LLP

(57) **CLAIM**

The ornamental design for a pool skimmer, as shown and described.

**DESCRIPTION**

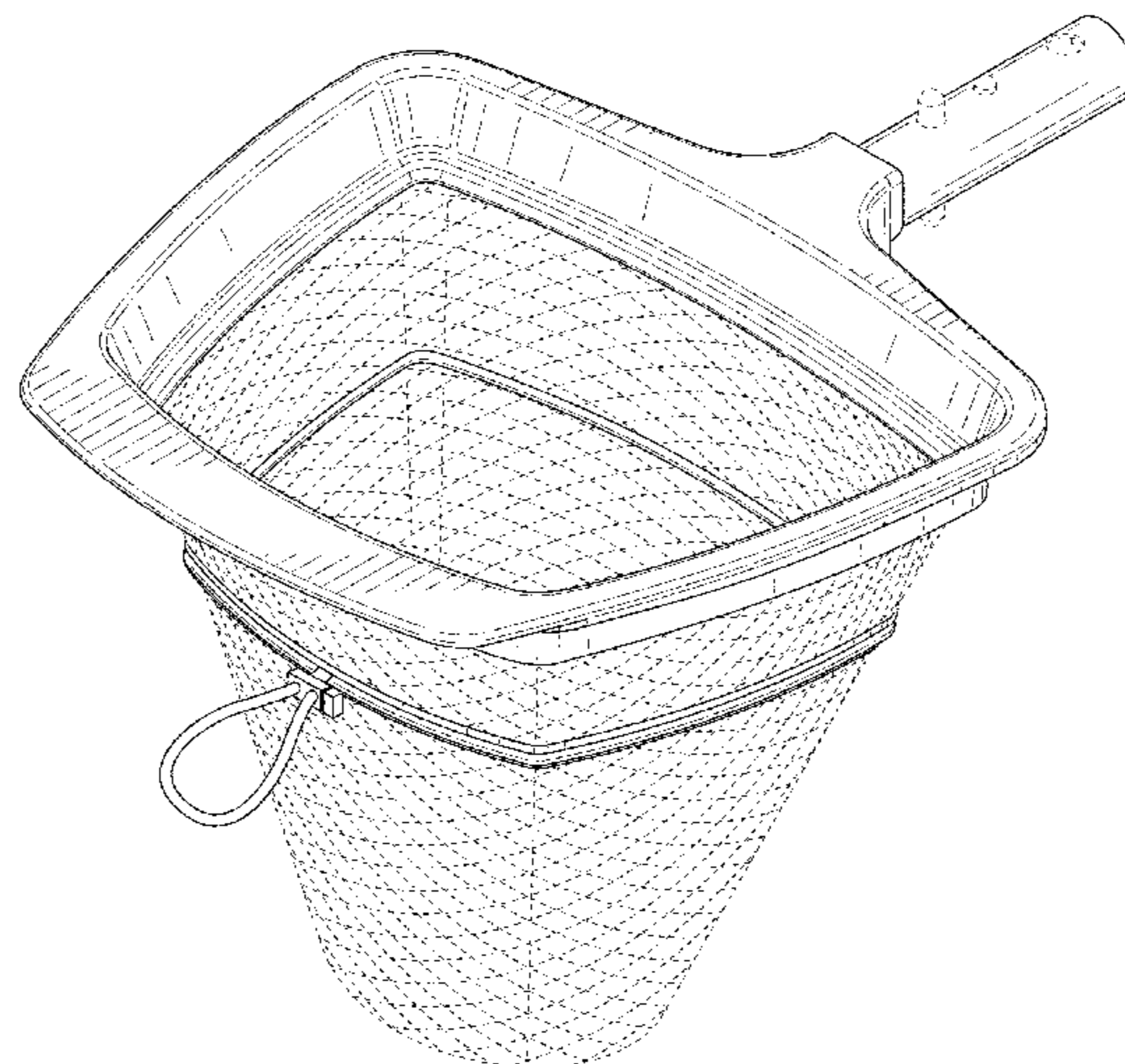
FIG. 1 is a top perspective view of a pool skimmer showing our new design;  
FIG. 2 is a bottom perspective view thereof;  
FIG. 3 is a top plan view thereof;  
FIG. 4 is a bottom plan view thereof;  
FIG. 5 is a front elevation view thereof;  
FIG. 6 is a rear elevation view thereof;  
FIG. 7 is a left side elevation view thereof;  
FIG. 8 is a right side elevation view thereof; and,  
FIG. 9 is a bottom perspective view thereof, showing the pool skimmer in a contracted state.  
The broken lines depict unclaimed features of a pool skimmer that form no part of the claimed design.

**1 Claim, 9 Drawing Sheets**

(56) **References Cited**

U.S. PATENT DOCUMENTS

- D255,480 S \* 6/1980 Zieg ..... 210/483
- D302,058 S \* 7/1989 Brooks ..... D32/35
- D316,619 S \* 4/1991 Richarson ..... D32/35
- D330,444 S \* 10/1992 Wall ..... D22/135
- D341,684 S \* 11/1993 Wall ..... D32/35
- D368,135 S \* 3/1996 Vasai ..... D22/135
- D377,249 S \* 1/1997 Granshaw ..... D23/210
- D381,781 S \* 7/1997 Clay ..... D22/135
- D389,895 S \* 1/1998 Belleville ..... D22/134
- D488,602 S \* 4/2004 Pecci ..... D32/35



(56)

**References Cited**

U.S. PATENT DOCUMENTS

D814,728 S *	4/2018	Duve .....	D32/46
D825,049 S *	8/2018	Miskel .....	D23/388
D827,238 S *	8/2018	Larouche .....	D32/35
D832,540 S *	10/2018	Larouche .....	D32/35
D855,148 S *	7/2019	Xu .....	D22/135

\* cited by examiner

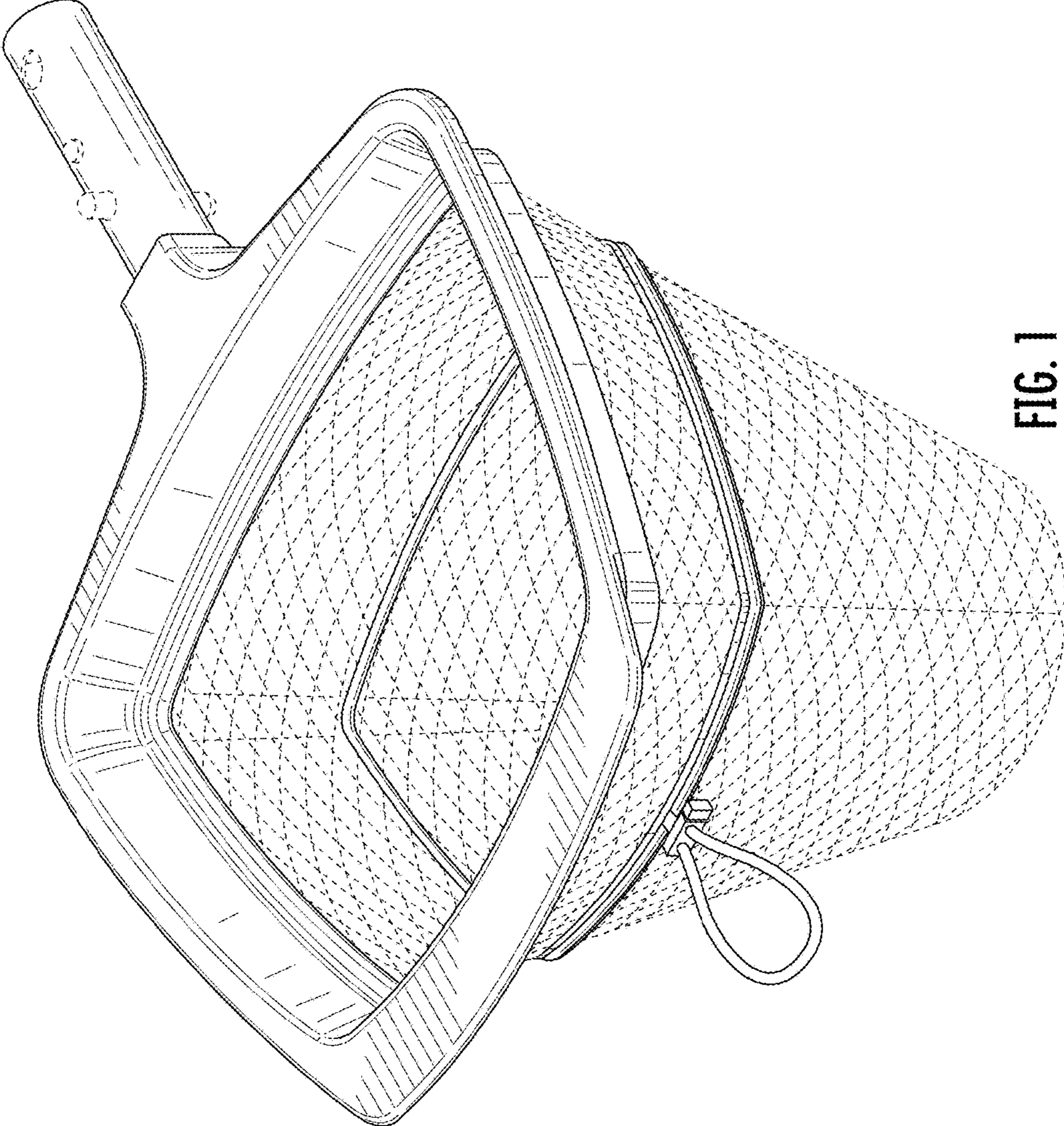


FIG. 1

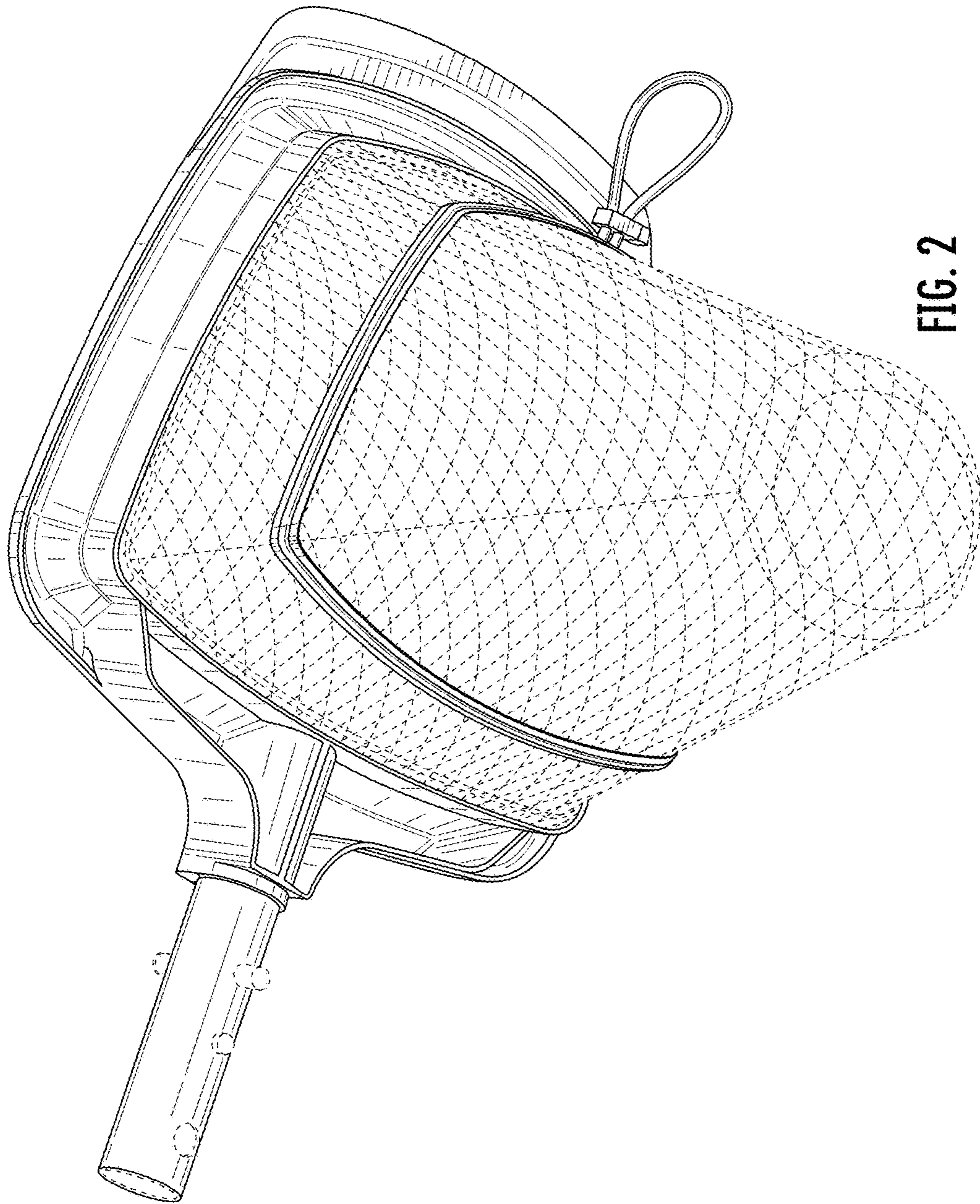


FIG. 2

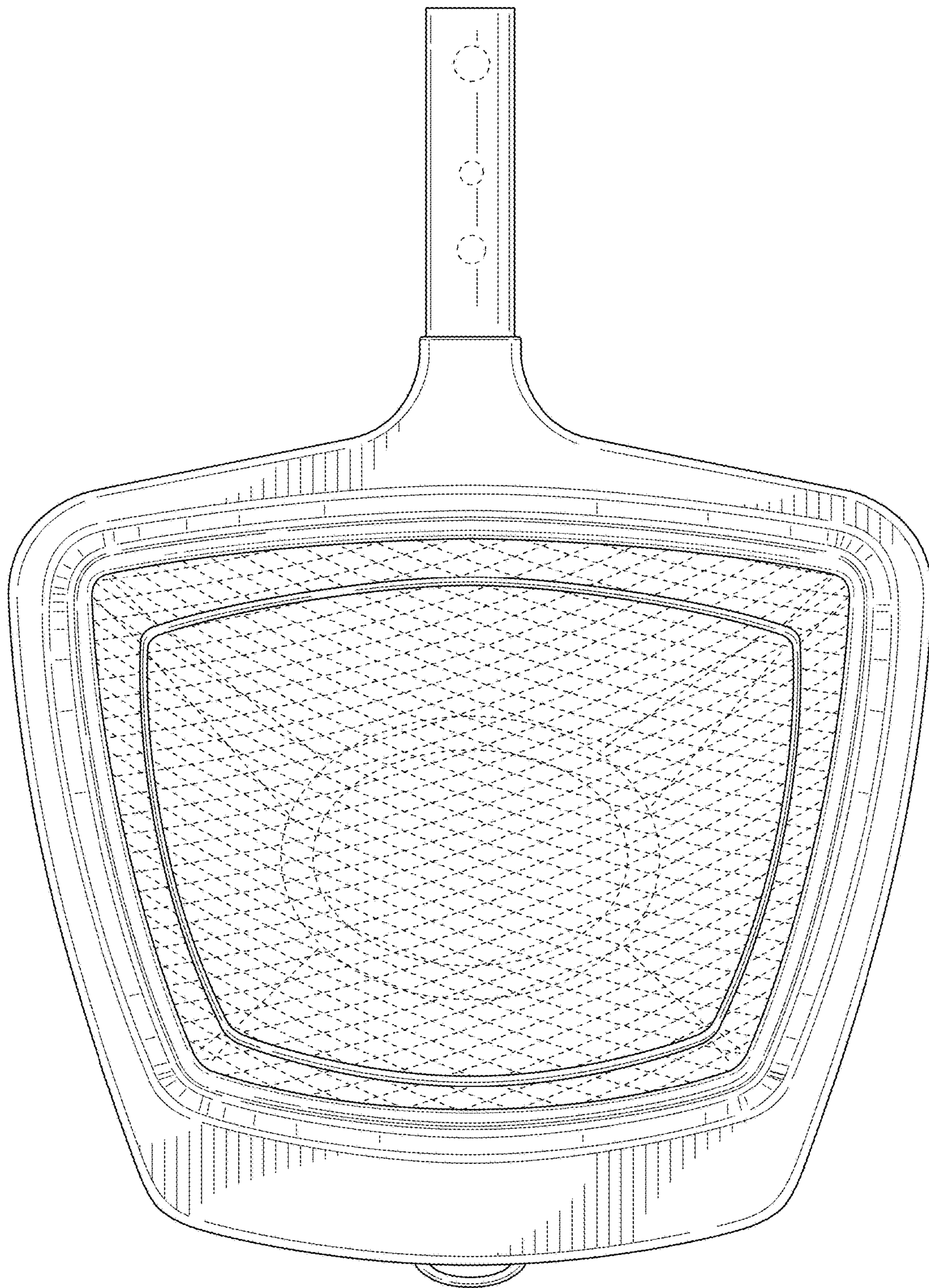


FIG. 3

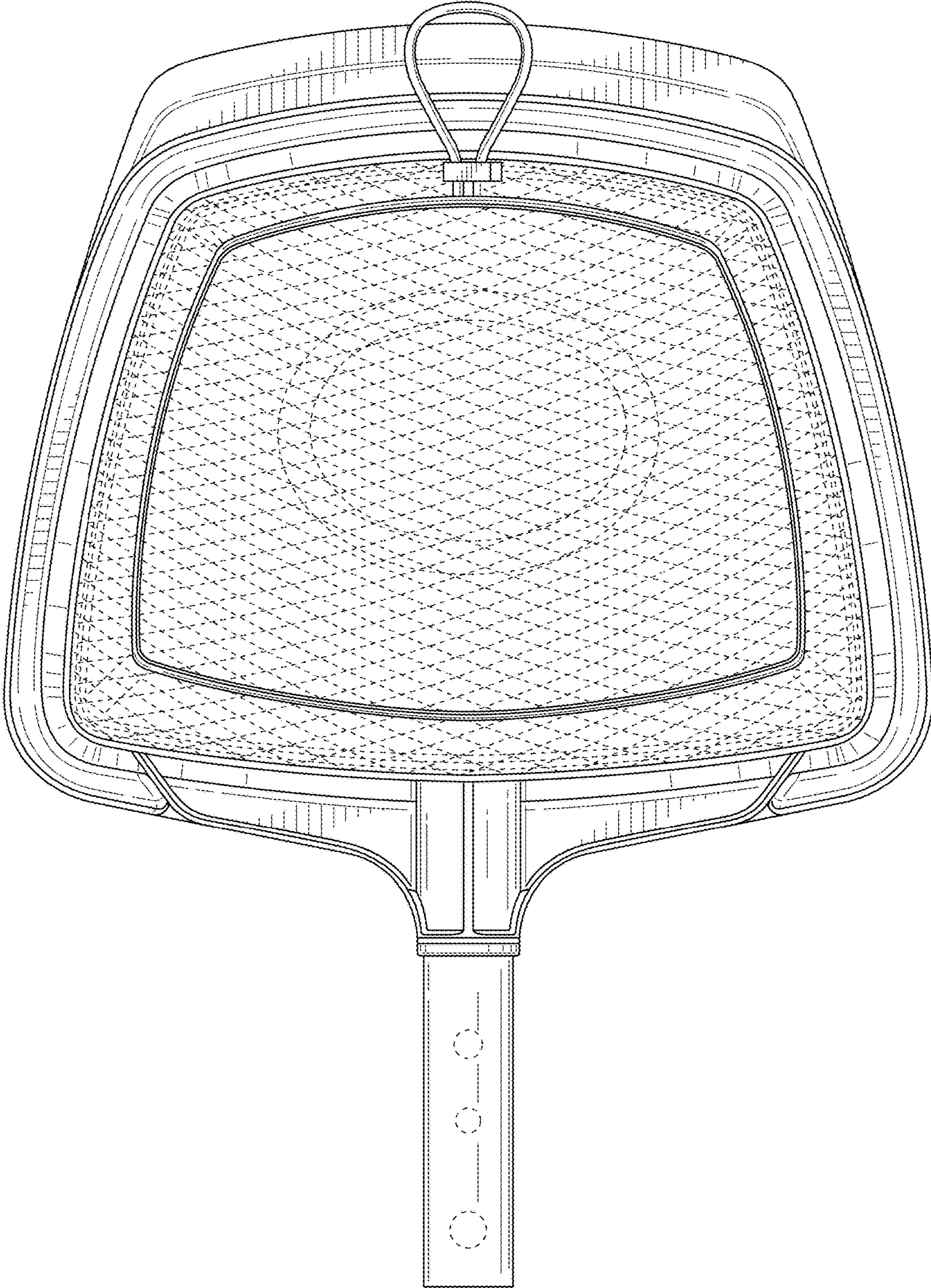


FIG. 4

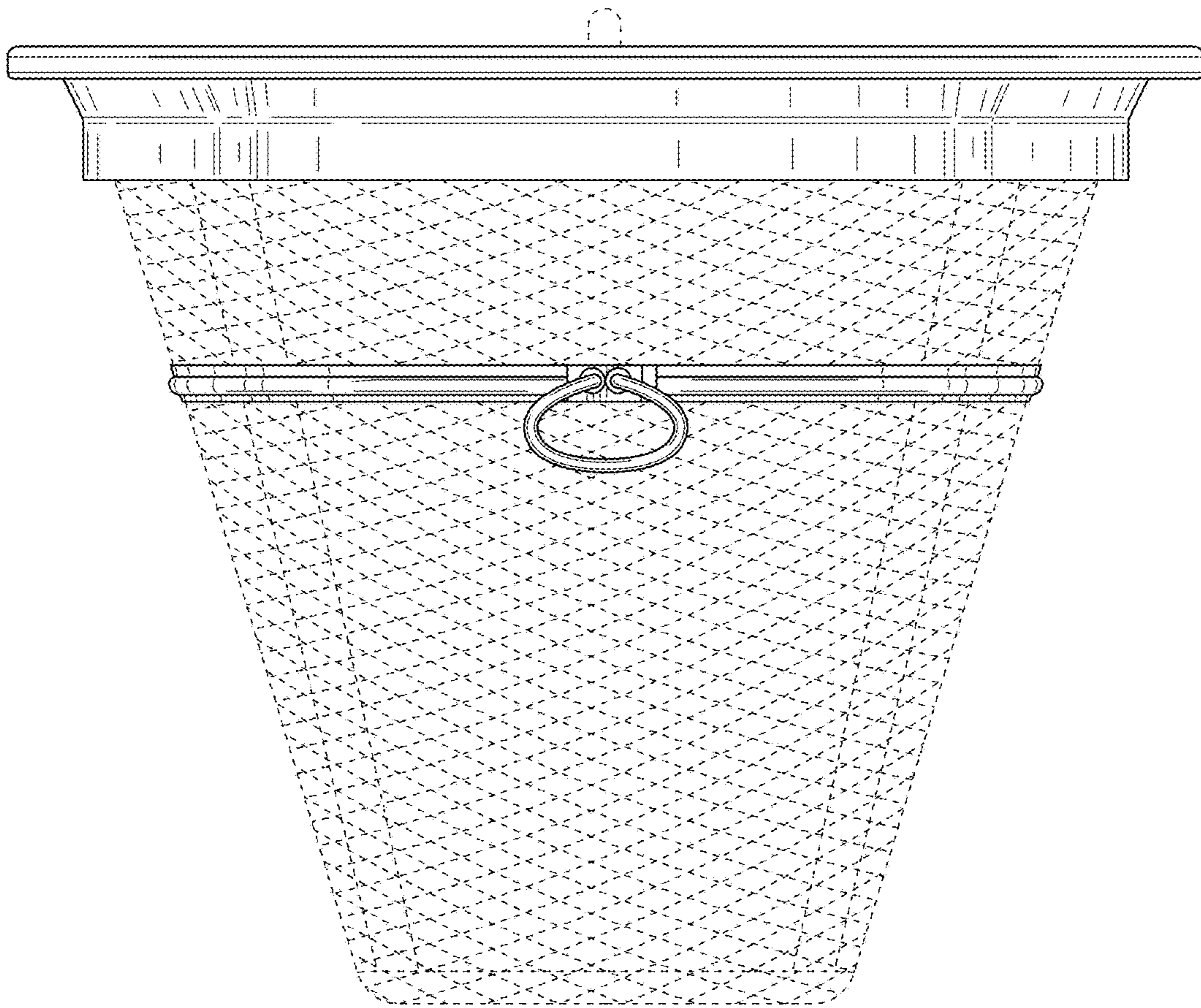


FIG. 5

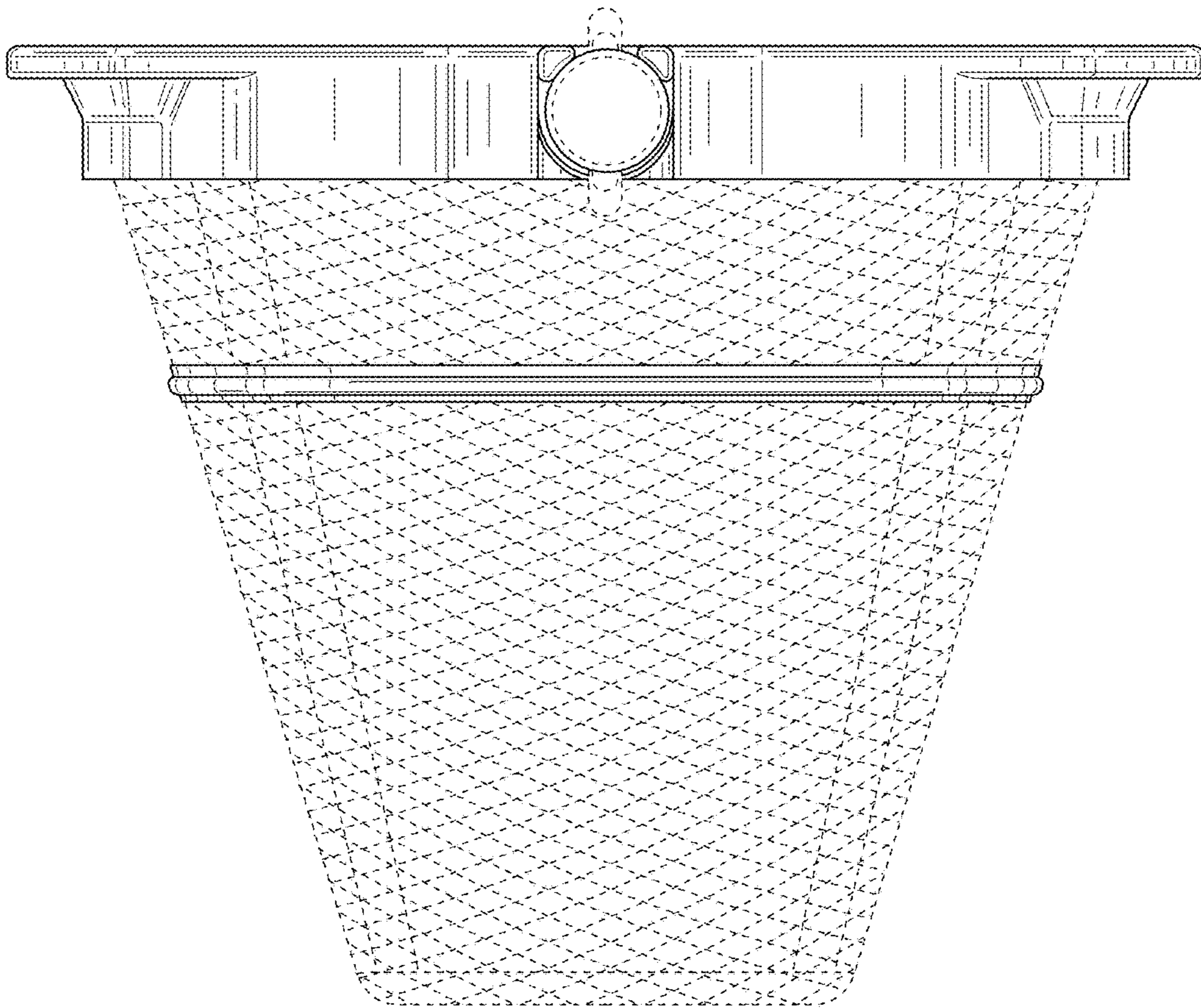


FIG. 6



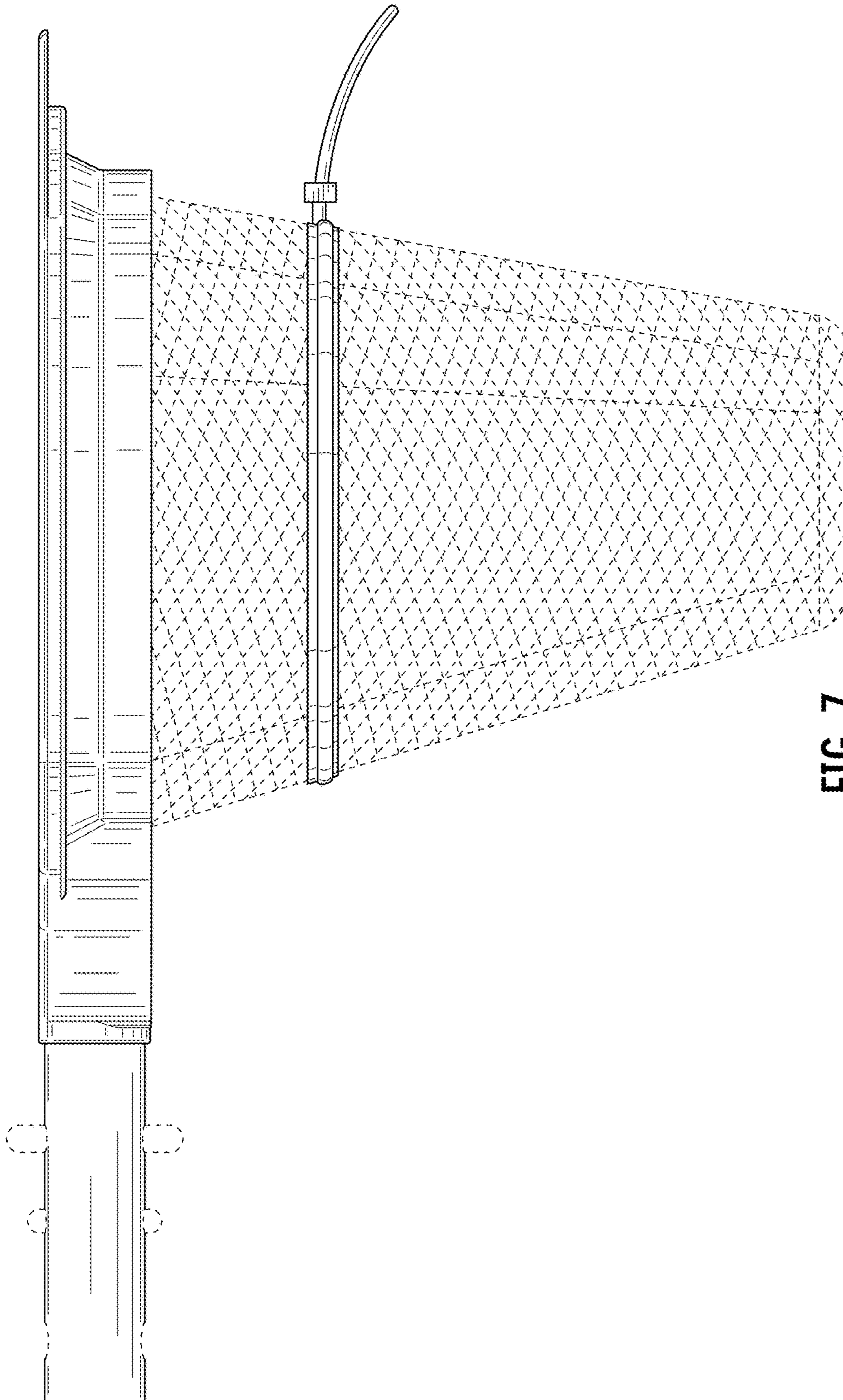


FIG. 7

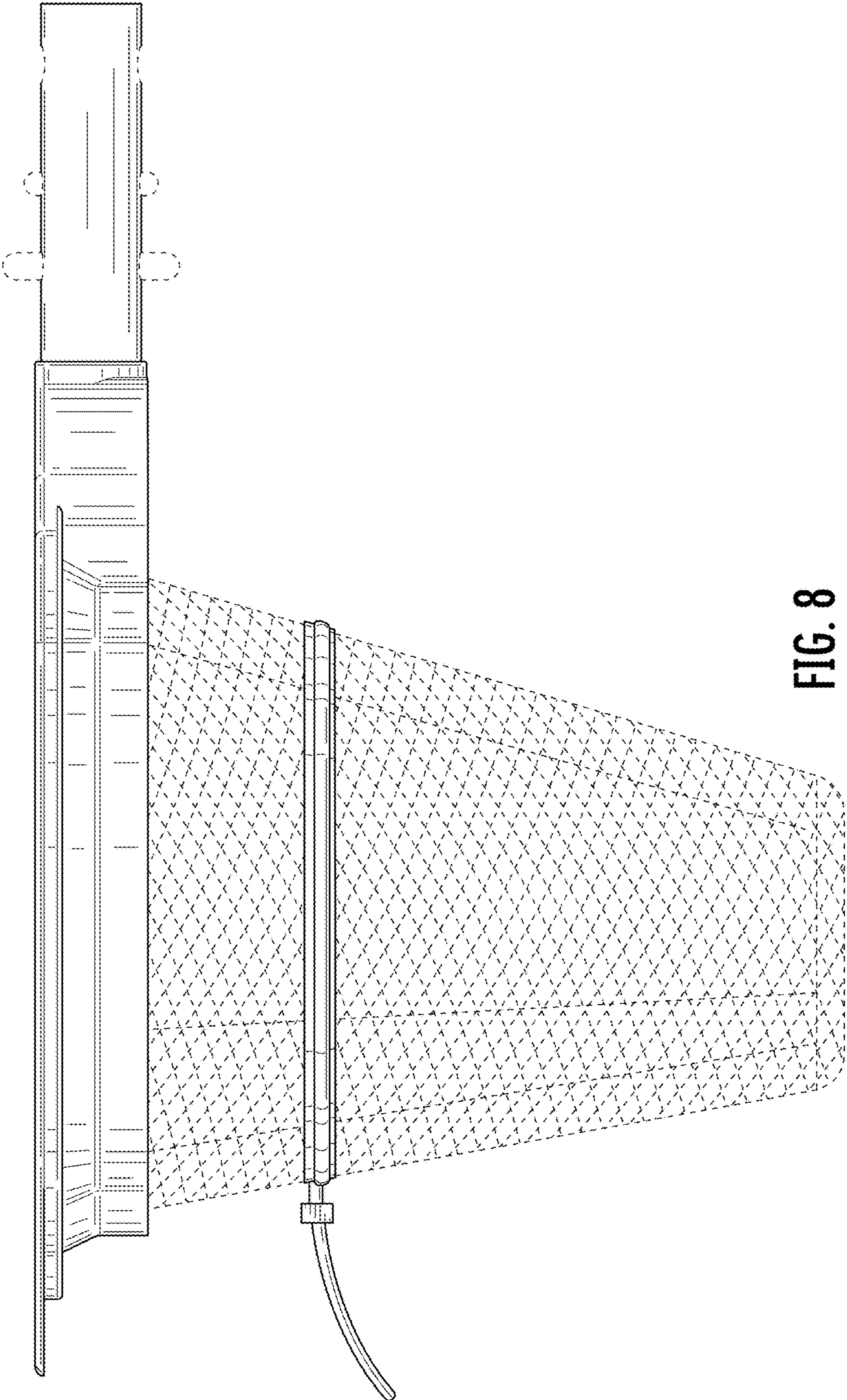


FIG. 8

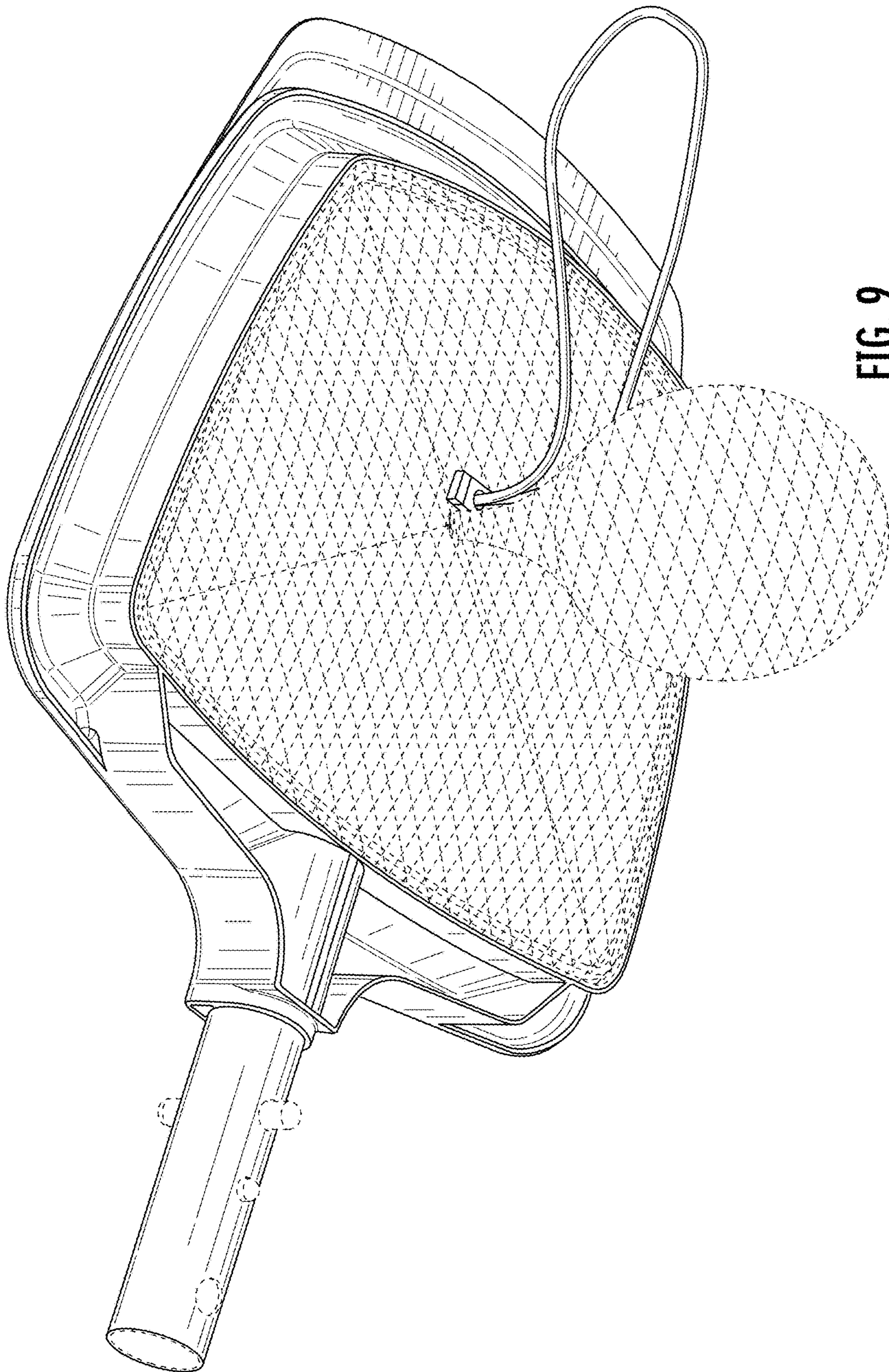


FIG. 9