



US00D868205S

(12) **United States Design Patent** (10) **Patent No.:** **US D868,205 S**  
**Rogers** (45) **Date of Patent:** **\*\* Nov. 26, 2019**

(54) **FISHING PLIER LATCH**  
(71) Applicant: **CAMCO Manufacturing, Inc.**,  
Greensboro, NC (US)  
(72) Inventor: **Thomas W. Rogers**, Brentwood, TN  
(US)  
(73) Assignee: **Camco Manufacturing, Inc.**,  
Greensboro, NC (US)  
(\*\*) Term: **15 Years**  
(21) Appl. No.: **29/665,883**  
(22) Filed: **Oct. 8, 2018**  
(51) **LOC (12) Cl.** ..... **22-05**  
(52) **U.S. Cl.**  
USPC ..... **D22/150**  
(58) **Field of Classification Search**  
USPC ..... D22/150, 149; 29/268, 433, 525.02;  
24/3.13, 488; 43/53.5; 411/548;  
294/103.1, 106, 118; 30/363; 81/424,  
81/424.5, 426; D7/684, 687  
CPC ..... A01K 97/00; A01K 97/14; A01K 97/18;  
A22C 25/06; A01M 31/00; A01M 31/006;  
A44B 11/04; A44B 11/266; A45F 5/00;  
A45F 2005/06; B25B 7/02; B25B 27/205;  
B66C 1/422; F16B 2/16  
See application file for complete search history.

(56) **References Cited**  
U.S. PATENT DOCUMENTS  
641,019 A \* 1/1900 Kiefer et al. .... B25B 7/02  
29/268  
749,110 A \* 1/1904 Spangler ..... B66C 1/422  
294/118  
D152,478 S \* 1/1949 Hutchinson et al. .... D22/150  
2,800,356 A \* 7/1957 Benton ..... A22C 25/06  
294/106

3,707,800 A \* 1/1973 Wolfe ..... A01K 97/18  
43/53.5  
3,924,507 A \* 12/1975 Faroni ..... B25B 7/02  
411/548  
D257,877 S \* 1/1981 Patterson ..... D22/150  
5,964,130 A \* 10/1999 Wang ..... B25B 7/02  
81/424

(Continued)

*Primary Examiner* — Catherine R Oliver-Garcia  
(74) *Attorney, Agent, or Firm* — Tuggle Duggins P.A.;  
Blake P. Hurt

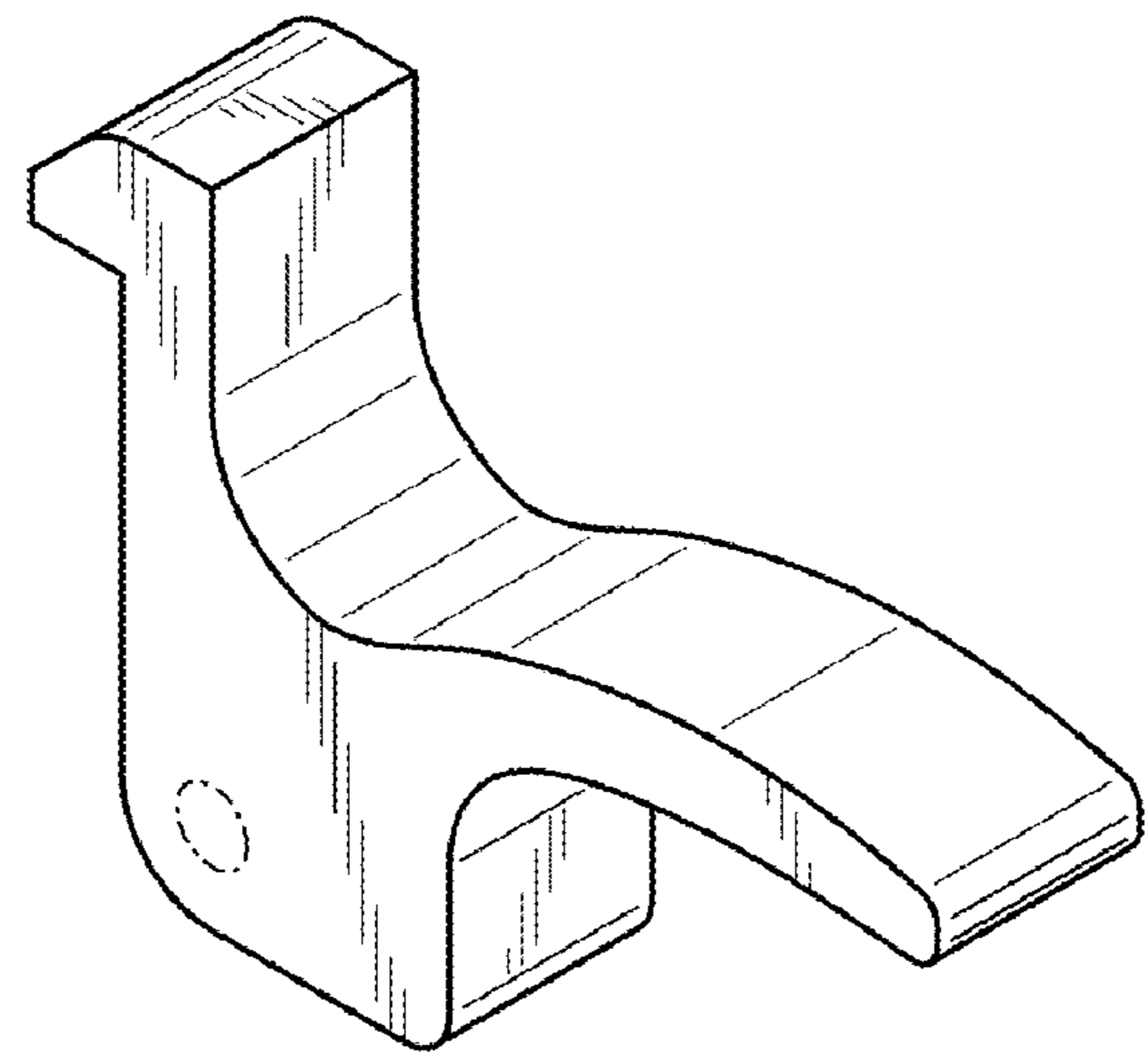
(57) **CLAIM**

What is claimed is the ornamental design for a fishing plier latch, as shown and described.

**DESCRIPTION**

FIG. 1 is an upper perspective view showing a fishing plier latch of Applicant's new design.  
FIG. 2 is a lower perspective view of the fishing plier latch of FIG. 1.  
FIG. 3 is a right side elevation view of the fishing plier latch of FIG. 1, the left side elevation view being an identical mirror image thereto.  
FIG. 4 is a front elevation view of the fishing plier latch of FIG. 1.  
FIG. 5 is a rear elevation view of the fishing plier latch of FIG. 1.  
FIG. 6 is a top plan view of the fishing plier latch of FIG. 1.  
FIG. 7 is a bottom plan view of the fishing plier latch of FIG. 1; and,  
FIG. 8 is an upper perspective view of the fishing plier latch of FIG. 1 shown in a position of use on a fishing plier.  
The dash-dot-dash broken lines shown in the drawings illustrate portions of the fishing plier latch that form no part of the claimed design.  
The dash-dash broken lines shown in the drawings illustrate portions and environment of the fishing plier latch that form no part of the claimed design.

**1 Claim, 2 Drawing Sheets**



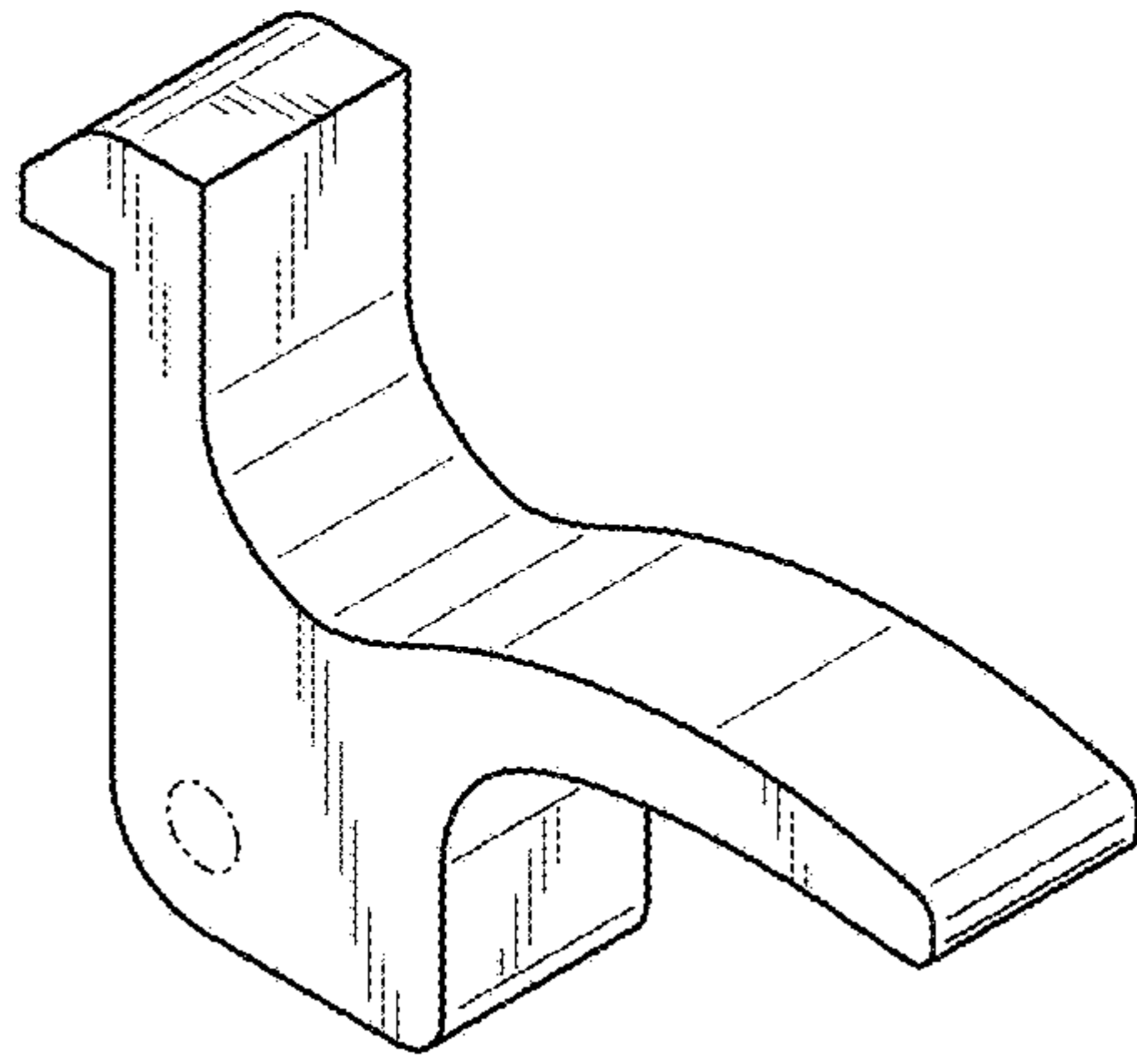
(56)

**References Cited**

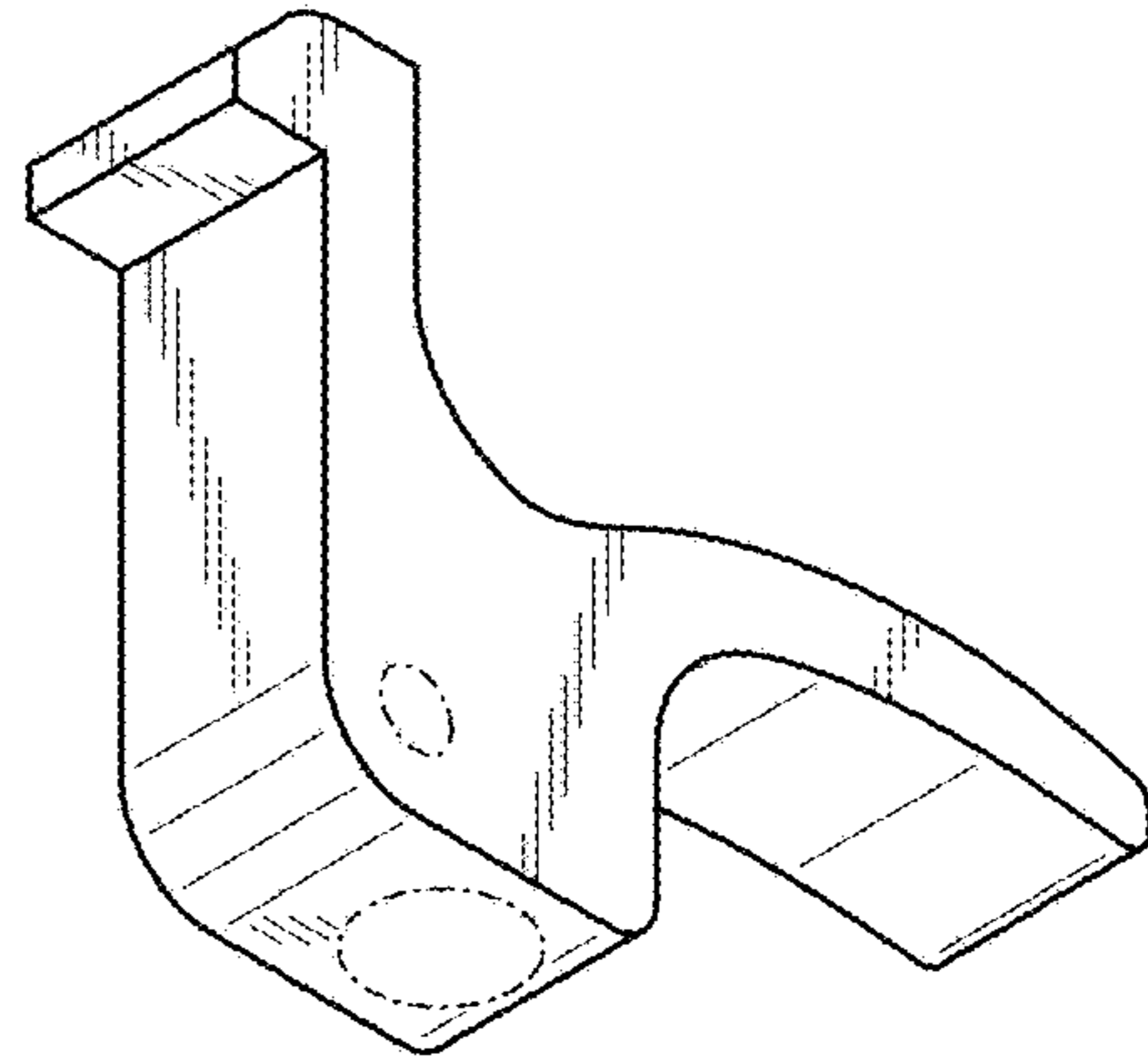
U.S. PATENT DOCUMENTS

D575,596 S *	8/2008	Araiza .....	D7/687
D784,096 S *	4/2017	Jones .....	D7/684
2007/0000358 A1 *	1/2007	Sakai .....	B25B 27/205
			81/426
2012/0304426 A1 *	12/2012	Lewis .....	F16B 2/16
			24/488

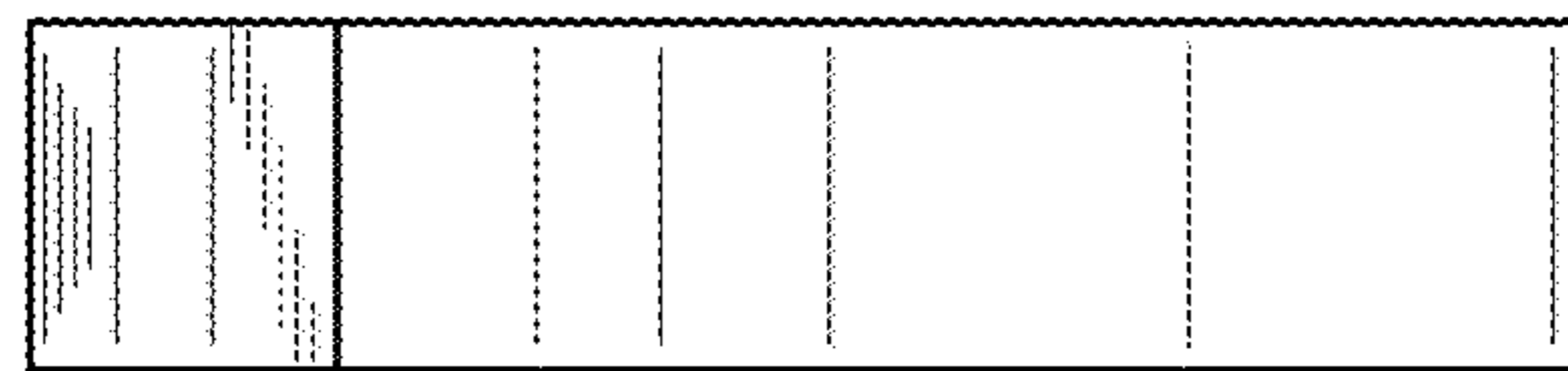
\* cited by examiner



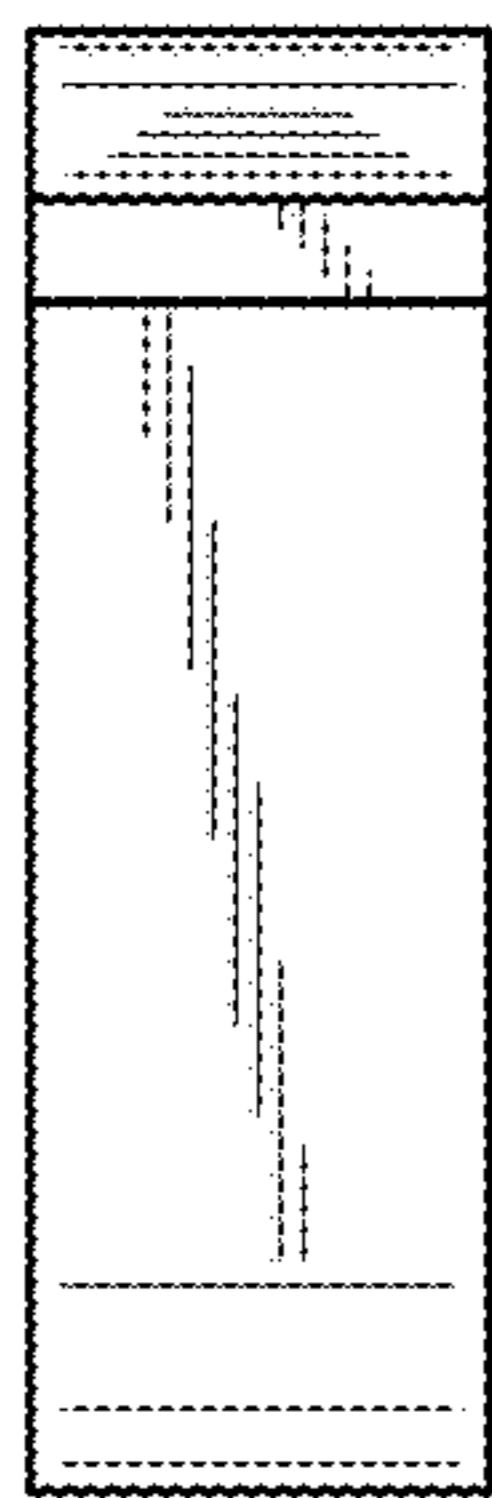
*FIG. 1*



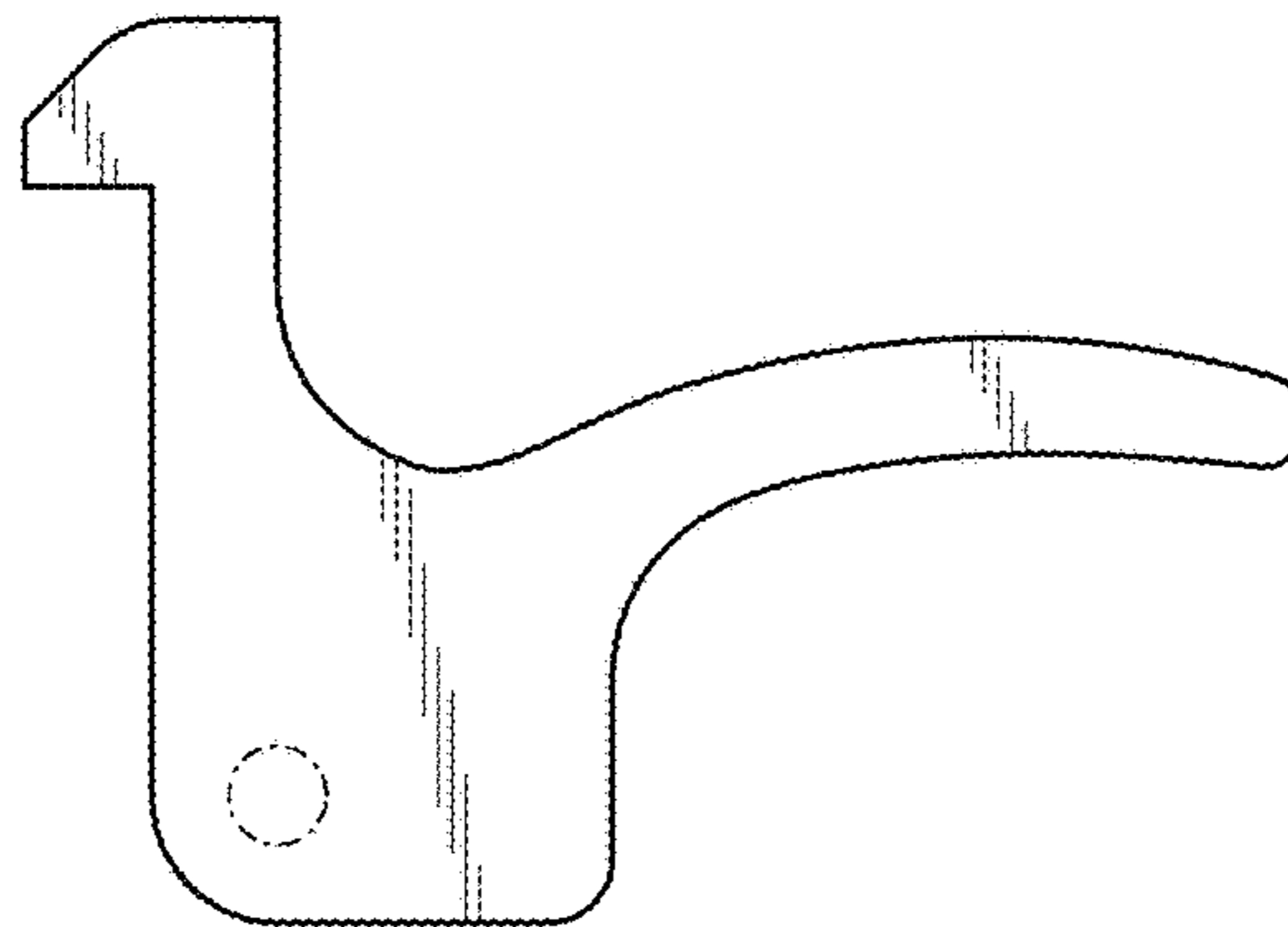
*FIG. 2*



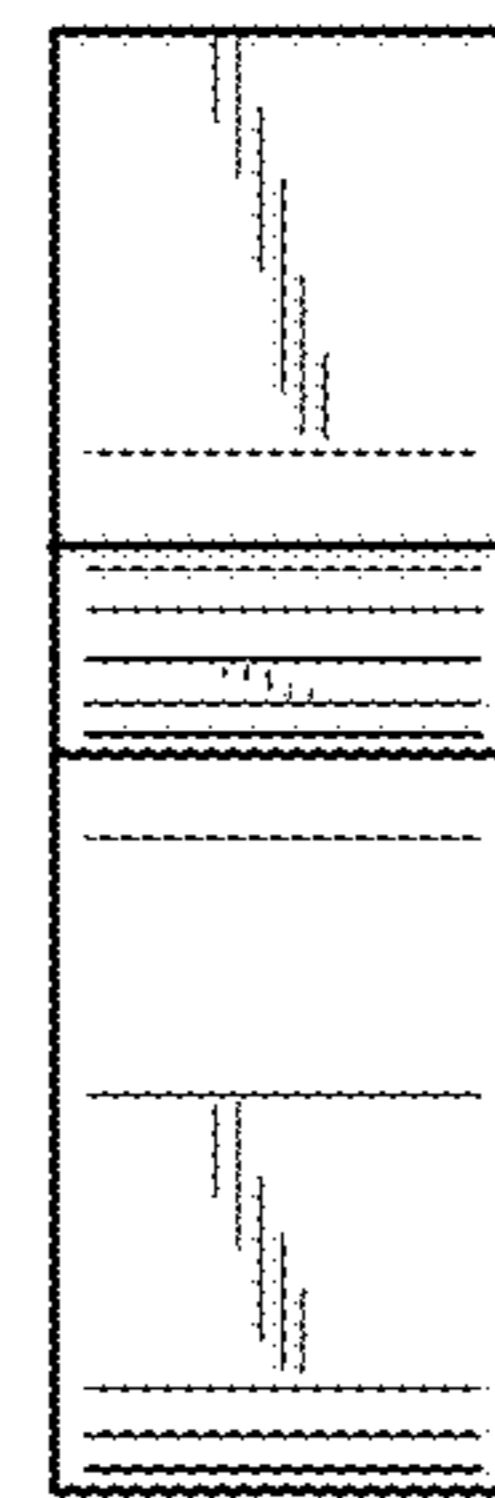
*FIG. 6*



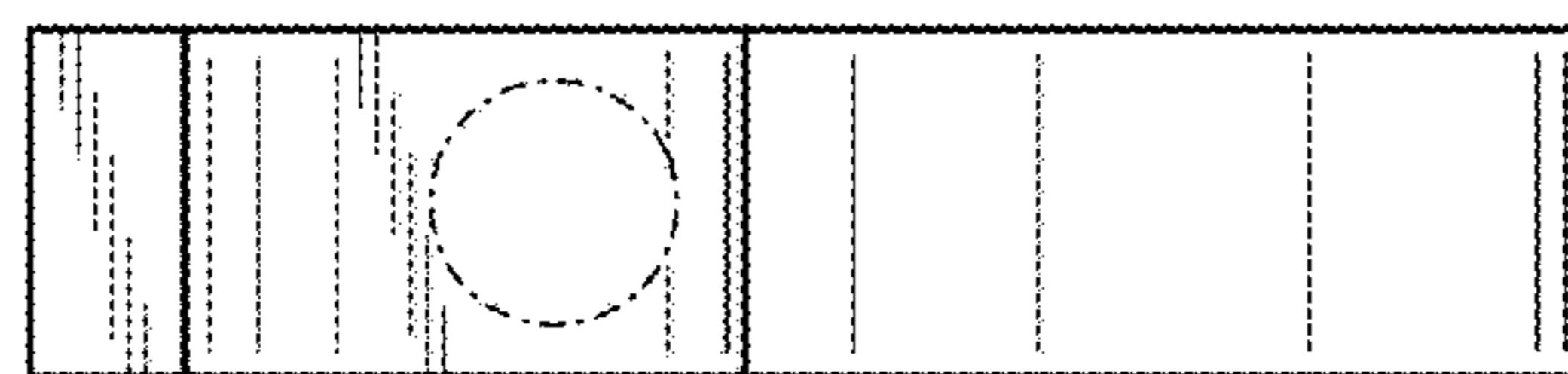
*FIG. 4*



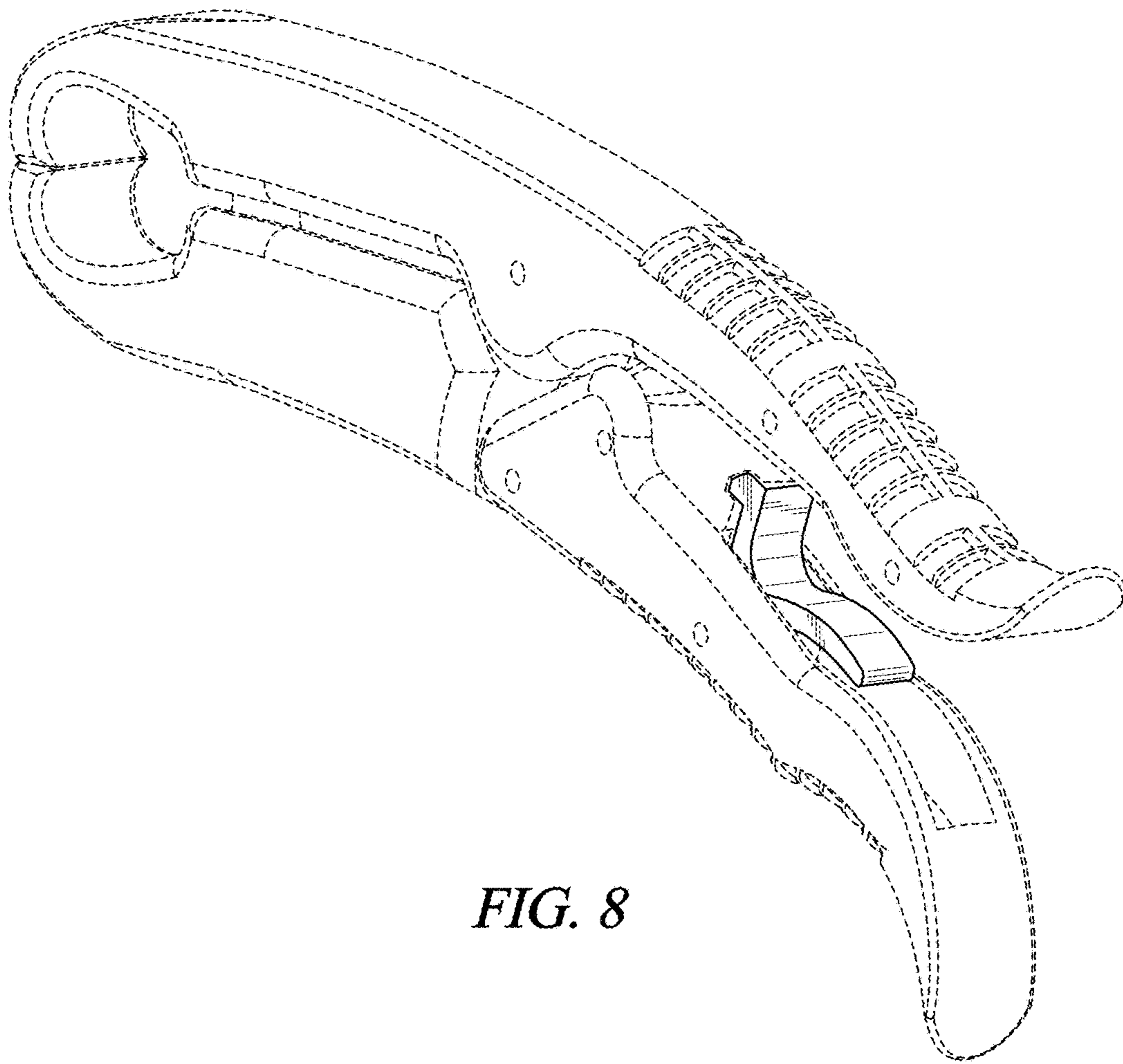
*FIG. 3*



*FIG. 5*



*FIG. 7*



*FIG. 8*