



US00D868203S

(12) **United States Design Patent** (10) **Patent No.:** **US D868,203 S**
Braun et al. (45) **Date of Patent:** **** Nov. 26, 2019**

(54) **BOWFISHING REEL LINE DEFLECTOR**

(71) Applicant: **AMS, LLC**, Stratford, WI (US)

(72) Inventors: **Jeff Braun**, Stratford, WI (US); **Tim Morines**, Abbotsford, WI (US)

(73) Assignee: **AMS, LLC**, Stratford, WI (US)

(**) Term: **15 Years**

(21) Appl. No.: **29/677,454**

(22) Filed: **Jan. 21, 2019**

Related U.S. Application Data

(63) Continuation of application No. 29/615,442, filed on Aug. 29, 2017, now Pat. No. Des. 840,496, and a continuation of application No. 15/190,595, filed on Jun. 23, 2016, now Pat. No. 10,091,977, which is a continuation of application No. 15/290,222, filed on Oct. 11, 2016, now Pat. No. 10,264,771, which is a continuation of application No. 14/270,817, filed on May 6, 2014, now Pat. No. 9,560,840.

(51) **LOC (12) Cl.** **22-05**

(52) **U.S. Cl.**
USPC **D22/141**

(58) **Field of Classification Search**
USPC D22/137-141; 43/17, 22-23, 25;
242/224, 232, 246, 289, 303, 310-311,
242/315, 317, 323
CPC A01K 89/057; A01K 89/047; A01K
89/0192; A01K 89/00; A01K 89/015;
A01K 89/056

See application file for complete search history.

(56) **References Cited**

U.S. PATENT DOCUMENTS

365,602 A * 6/1887 Kasschau 242/310
969,235 A * 6/1910 Wollensak 242/303

D153,804 S * 5/1949 Hurd D22/138
D155,704 S * 10/1949 Hauser et al. D22/138
4,383,516 A 5/1983 LaSee
D423,073 S * 4/2000 Campbell D22/137
6,375,107 B1 4/2002 Wong
6,634,350 B2 10/2003 LaSee
6,796,522 B2 9/2004 Braun
D497,968 S * 11/2004 Huffman D22/137
D527,070 S * 8/2006 Venes D22/137
D558,299 S * 12/2007 Lepage D22/140
D638,092 S * 5/2011 Heller D22/140
D676,523 S * 2/2013 Halseth D22/140

(Continued)

Primary Examiner — Catherine R Oliver-Garcia
(74) *Attorney, Agent, or Firm* — Boyle Fredrickson S.C.

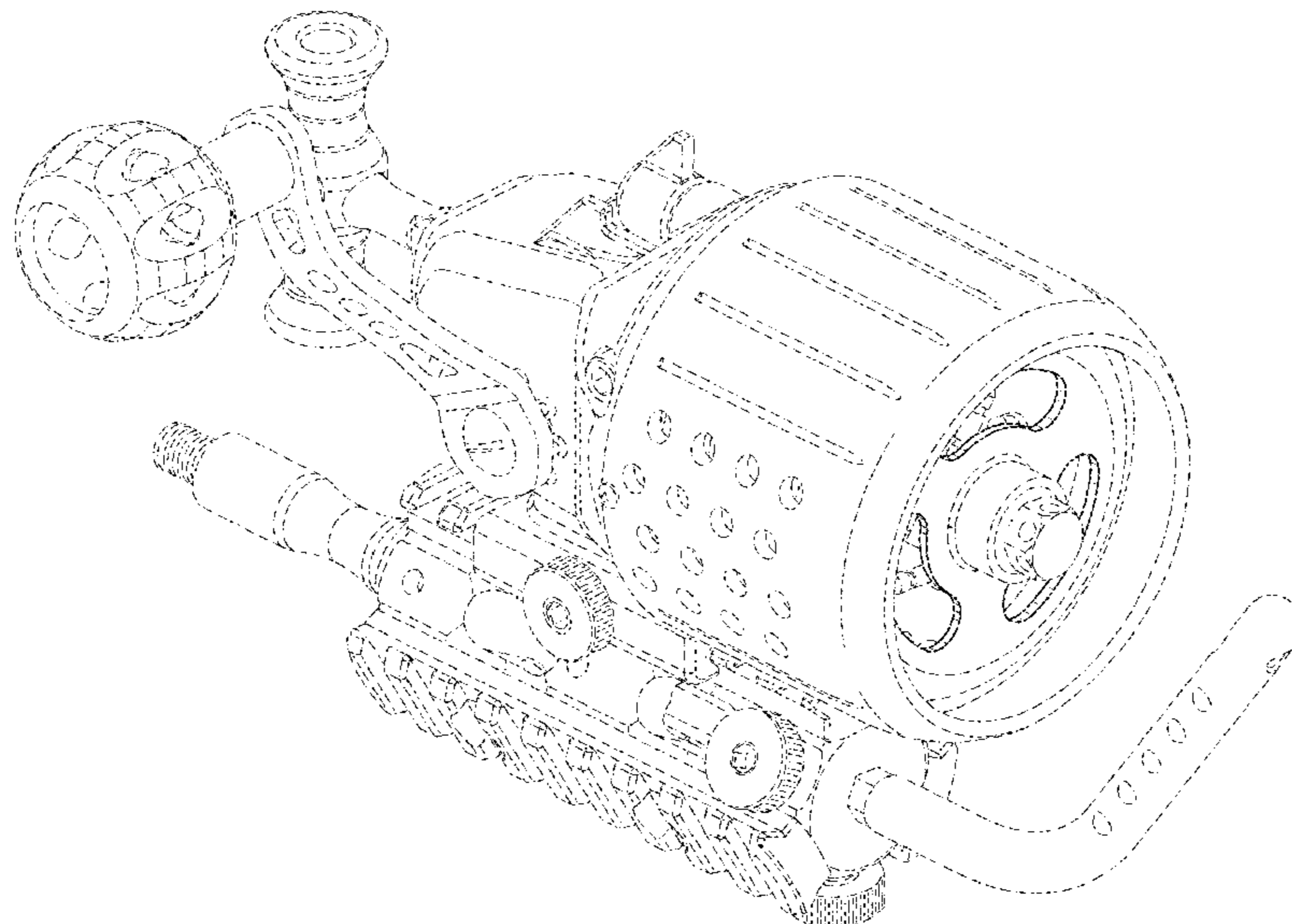
(57) **CLAIM**

The ornamental design for a bowfishing reel line deflector, substantially as shown and described.

DESCRIPTION

FIG. 1 is a front, left side perspective view of a bowfishing reel according to the present invention;
FIG. 2 is a left side elevation view of the bowfishing reel of FIG. 1;
FIG. 3 is a right side elevation view of the bowfishing reel of FIG. 1;
FIG. 4 is a front elevation view of the bowfishing reel of FIG. 1;
FIG. 5 is a rear elevation view of the bowfishing reel of FIG. 1;
FIG. 6 is a top plan view of the bowfishing reel of FIG. 1; and,
FIG. 7 is a bottom plan view of the bowfishing reel of FIG. 1.
The broken lines are for illustrative purposes and represent environmental structure and unclaimed portions of the invention and therefore form no part of the claimed design.

1 Claim, 7 Drawing Sheets



(56)

References Cited

U.S. PATENT DOCUMENTS

9,383,160 B1 7/2016 White
9,560,840 B2 2/2017 Braun et al.
D815,244 S * 4/2018 Humphreys, Jr. D22/140
2012/0285430 A1 11/2012 Dunlop et al.
2014/0332615 A1 11/2014 Braun et al.
2017/0027145 A1 2/2017 Braun et al.
2017/0295768 A1 10/2017 Noble et al.

* cited by examiner

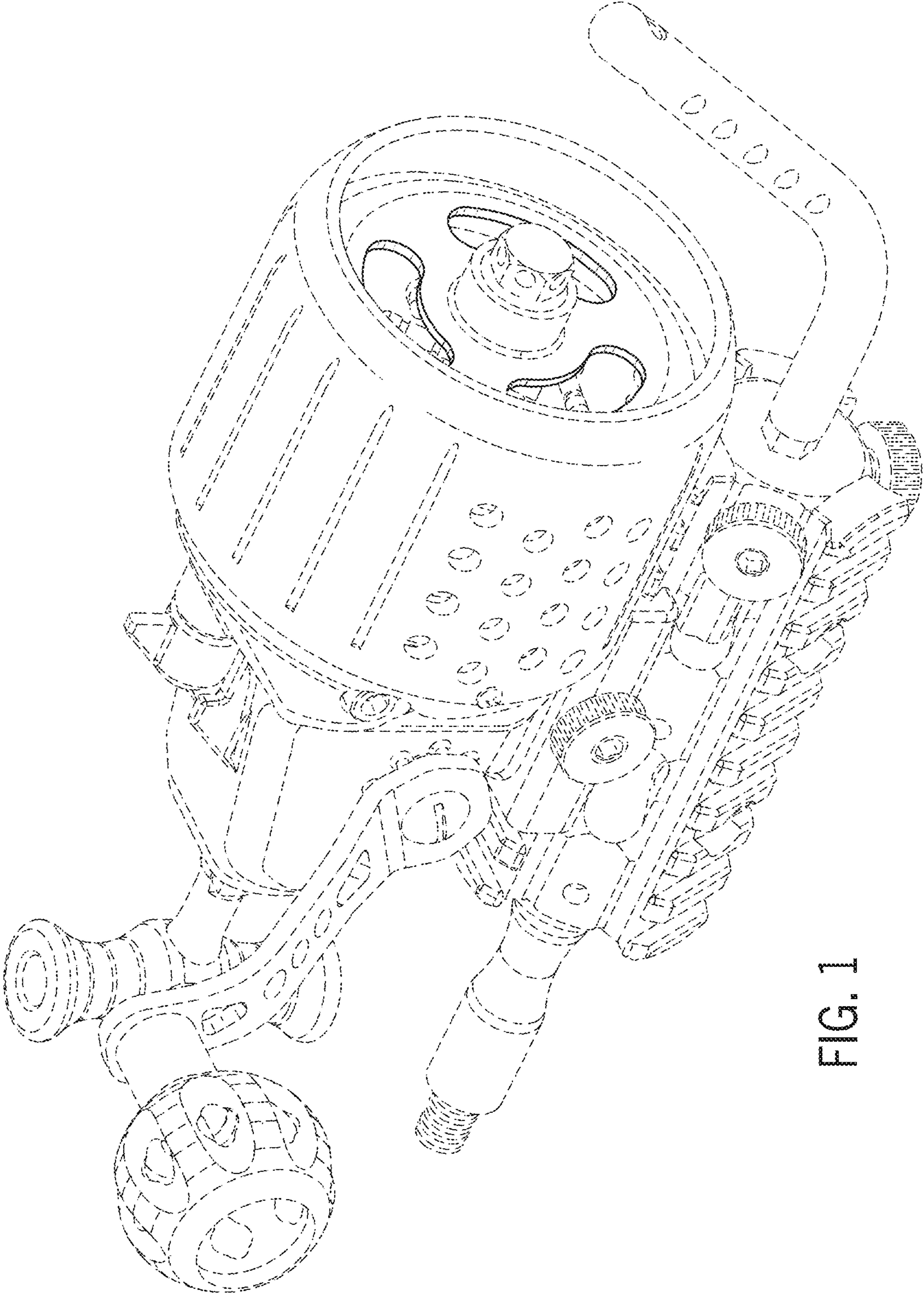


FIG. 1

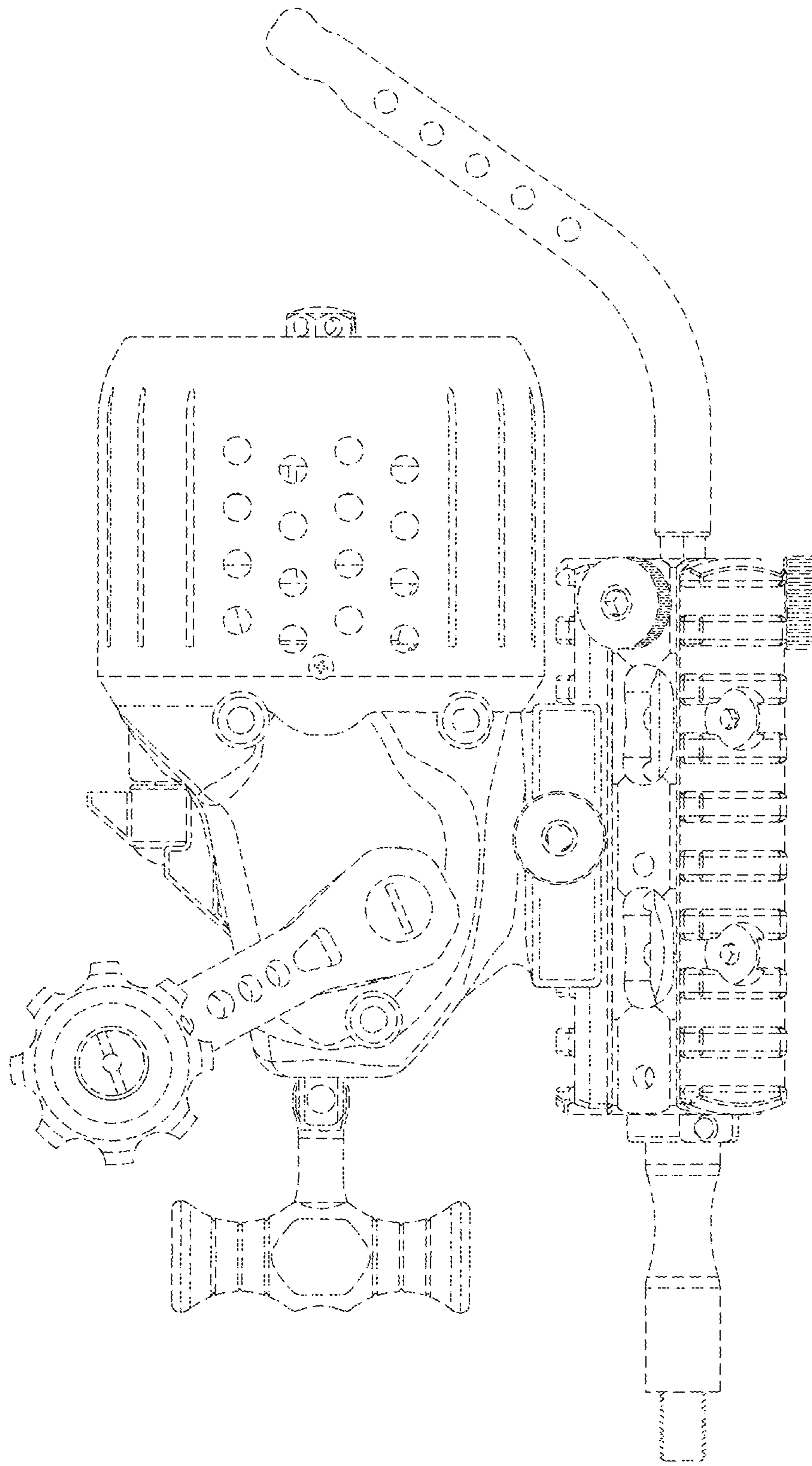


FIG. 2

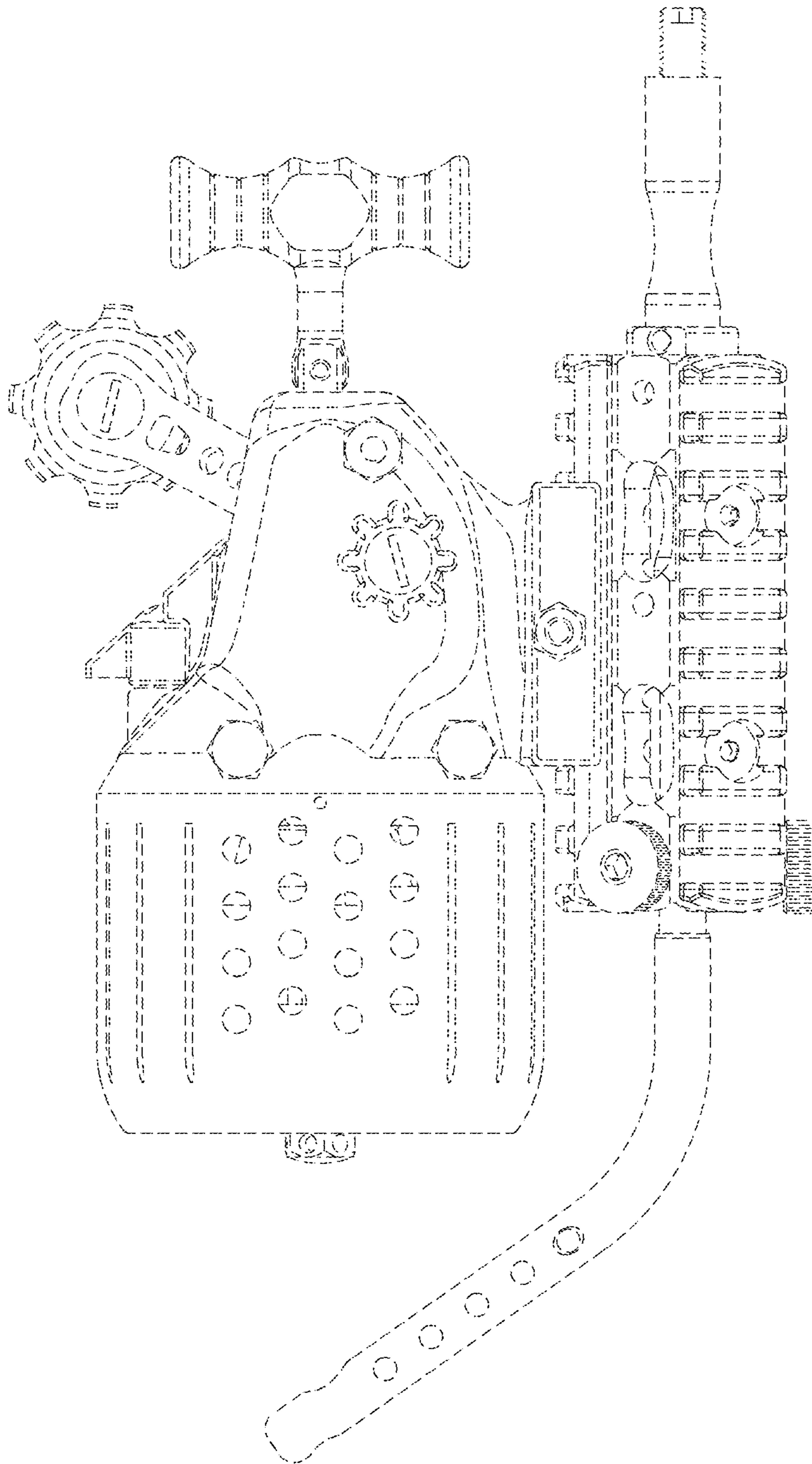


FIG. 3

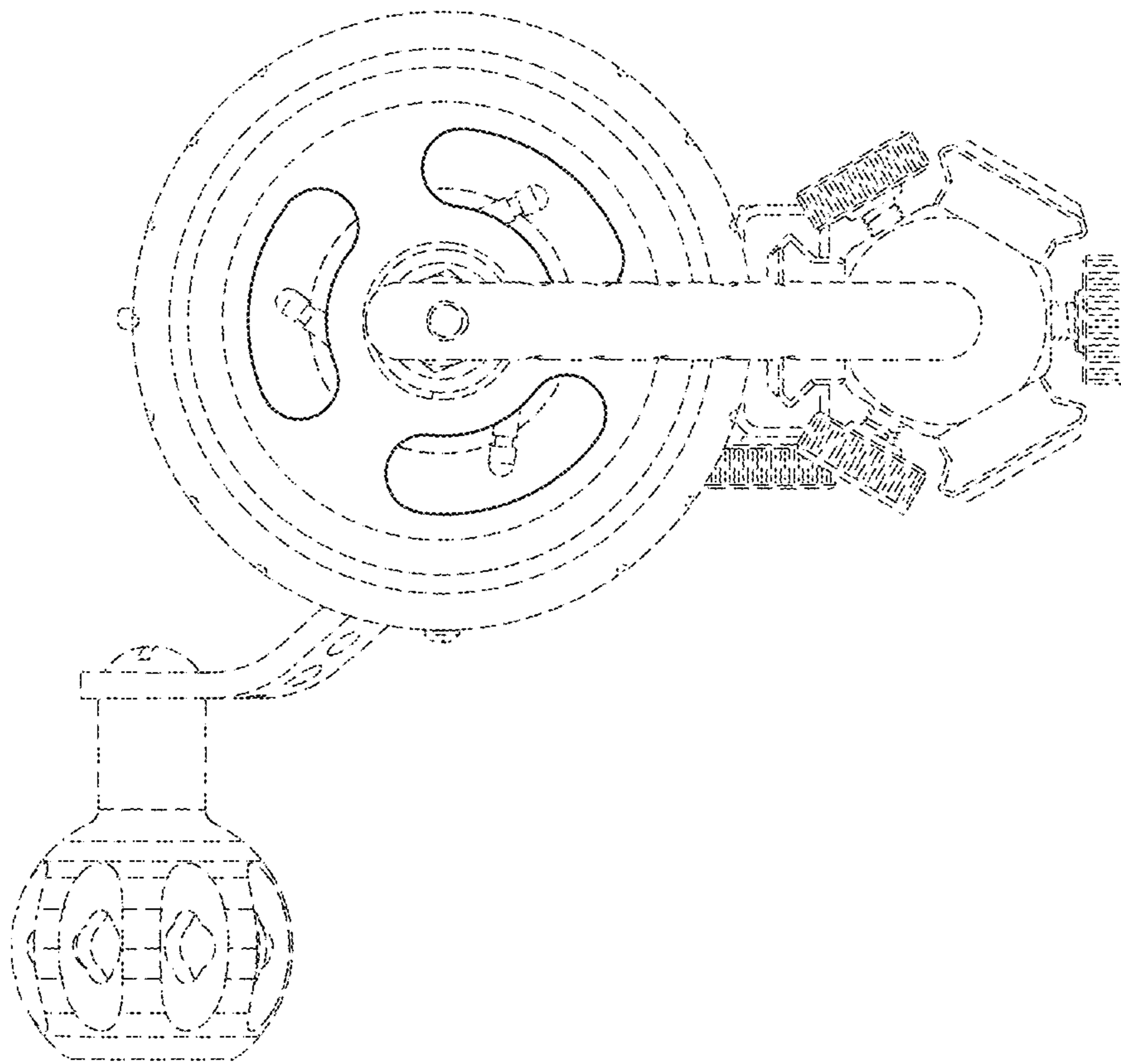


FIG. 4

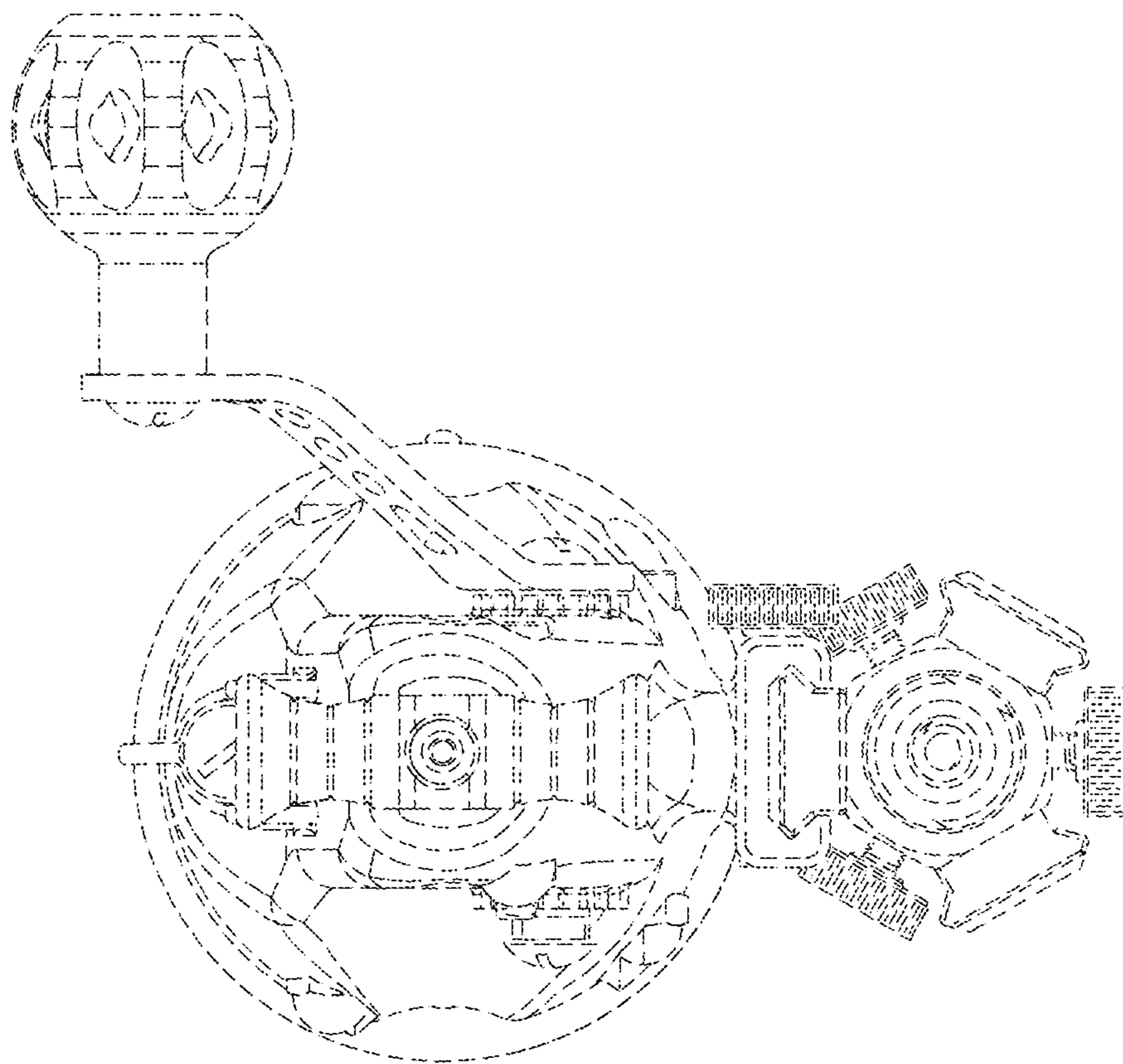


FIG. 5

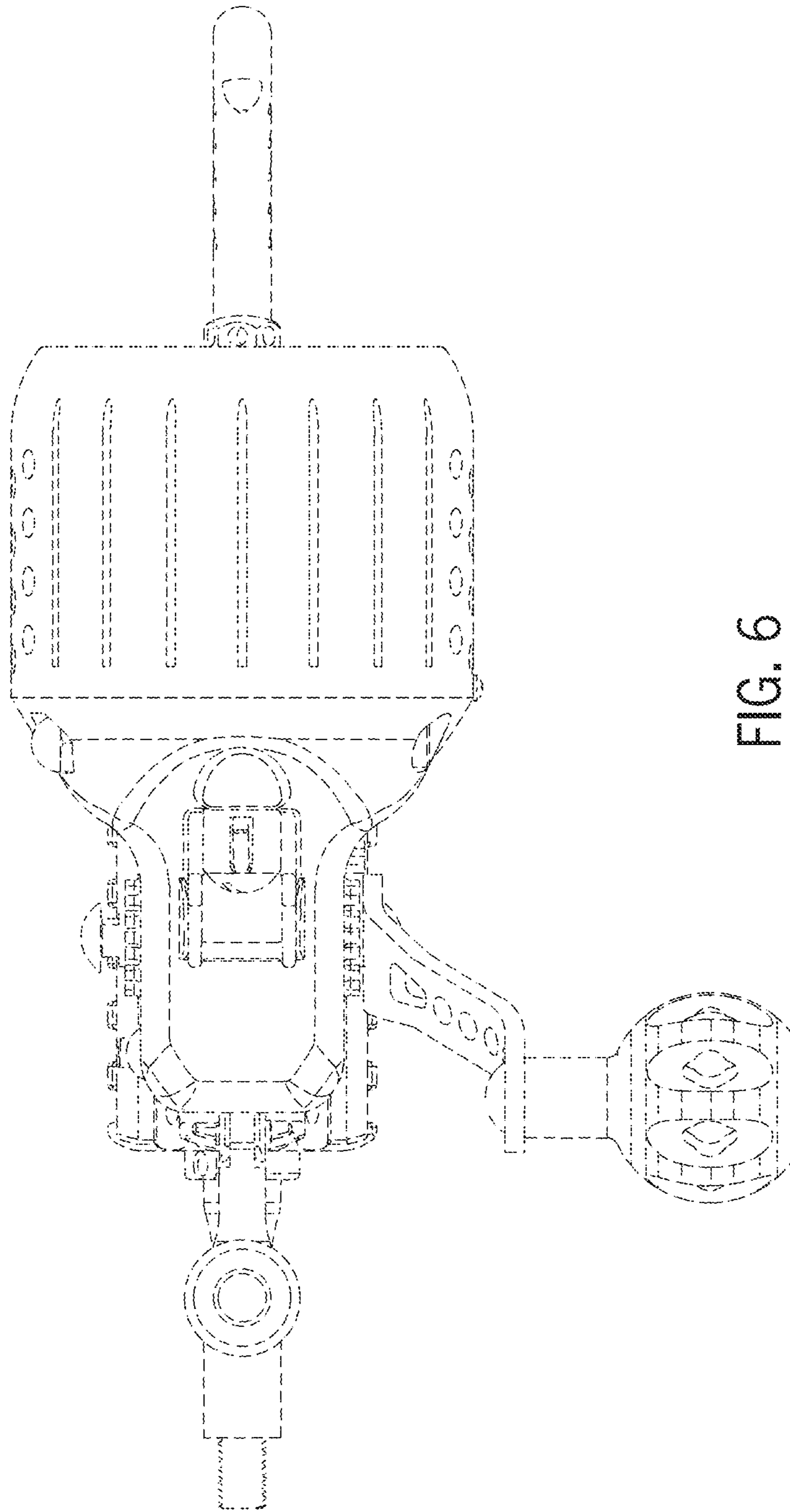


FIG. 6

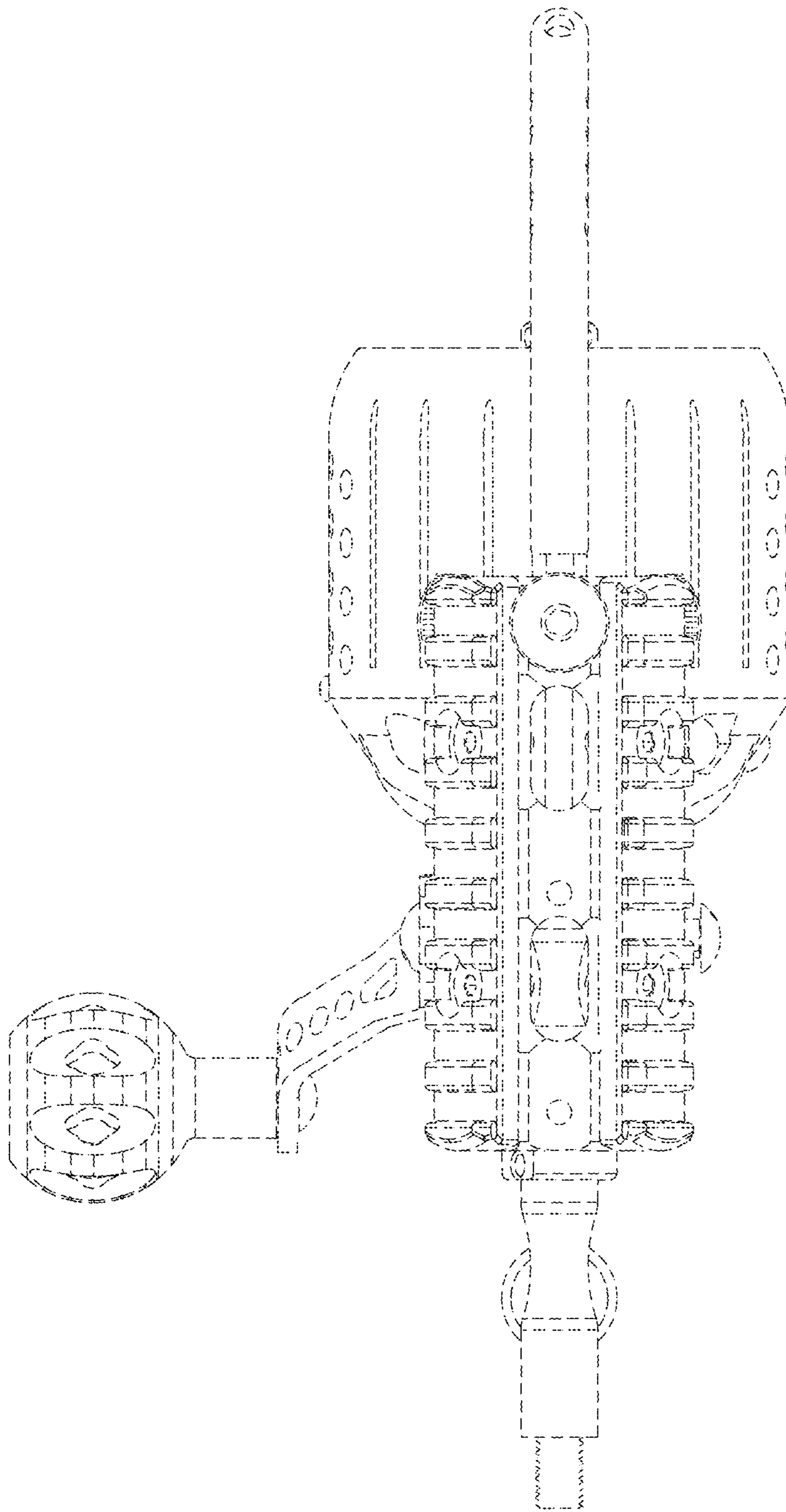


FIG. 7