



US00D868202S

(12) **United States Design Patent** (10) **Patent No.:** **US D868,202 S**
Gobber et al. (45) **Date of Patent:** **** Nov. 26, 2019**

(54) **DIFFUSING EVAPORATOR FOR ACTIVE SUBSTANCES FOR INSECTS**

CPC ... A61L 9/02; A61L 9/03; A61L 9/034; A61L 9/04; A61L 9/12; A61L 9/032; A61L 9/122; A61L 9/127; A61L 9/22

(71) Applicant: **ZOBELE HOLDING SPA**, Trento (IT)

See application file for complete search history.

(72) Inventors: **Cedric Gobber**, Barcelona (ES);
Joaquim Llorente Alonso, Barcelona (ES)

(56) **References Cited**

U.S. PATENT DOCUMENTS

(73) Assignee: **ZOBELE HOLDING S.P.A.**, Trento (IT)

6,827,286 B2 * 12/2004 Zobebe A01M 1/2077
122/366
7,204,870 B2 * 4/2007 Zobebe A01M 1/2033
239/55
D605,277 S * 12/2009 Rossi D23/366
D611,135 S * 3/2010 Paolazzi D23/366
D612,472 S * 3/2010 Rossi D23/366

(**) Term: **15 Years**

* cited by examiner

(21) Appl. No.: **35/505,857**

Primary Examiner — Michael A. Pratt

(22) Filed: **Apr. 10, 2018**

(74) *Attorney, Agent, or Firm* — Ostrolenk Faber LLP

(80) **Hague Agreement Data**

Int. Filing Date: **Apr. 10, 2018**

Int. Reg. No.: **DM/101834**

Int. Reg. Date: **Apr. 10, 2018**

Int. Reg. Pub. Date: **Oct. 12, 2018**

(57) **CLAIM**

The ornamental design for diffusing evaporator for active substances for insects, as shown and described.

DESCRIPTION

(30) **Foreign Application Priority Data**

Oct. 17, 2017 (ES) 0526213

(51) **LOC (12) Cl.** **22-06**

(52) **U.S. Cl.**
USPC **D22/122**

(58) **Field of Classification Search**
USPC D22/119-124; D23/355-369

1. Diffusing evaporator for active substances for insects

1.1: Side View

1.2: Front

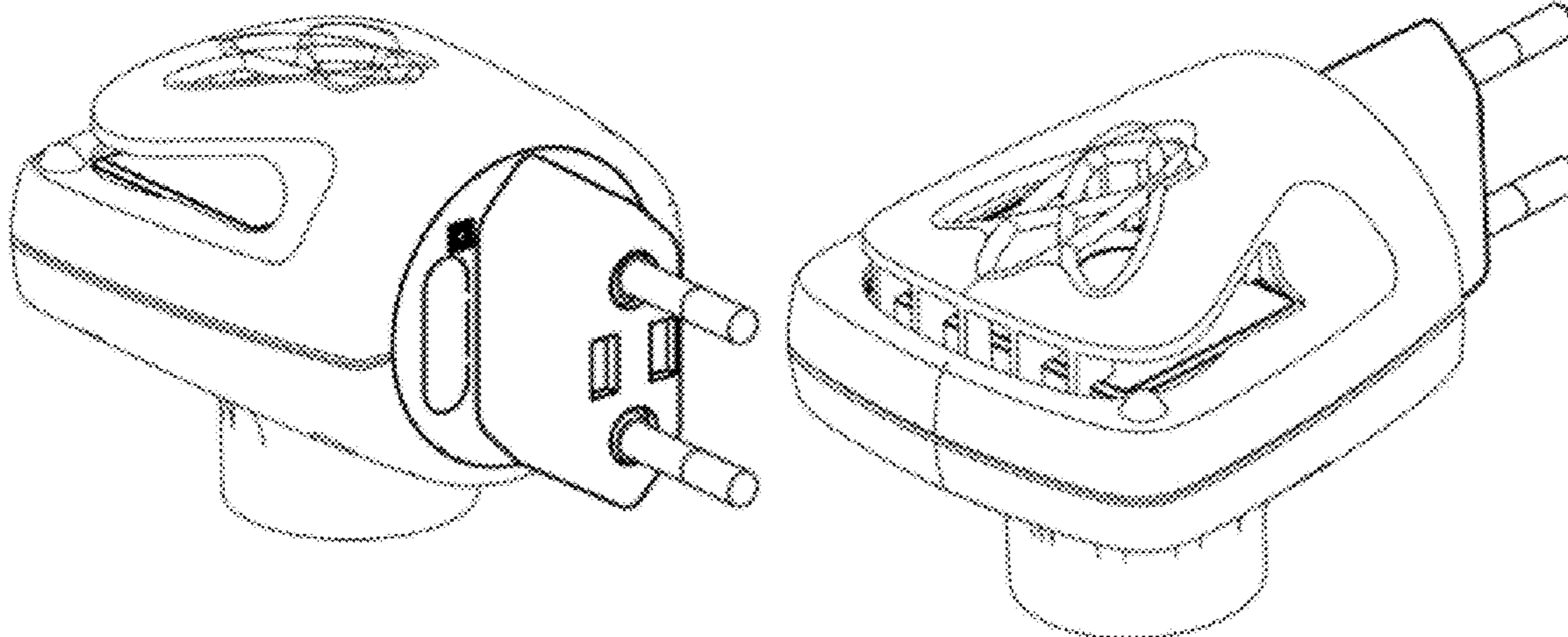
1.3: Top

1.4: Perspective

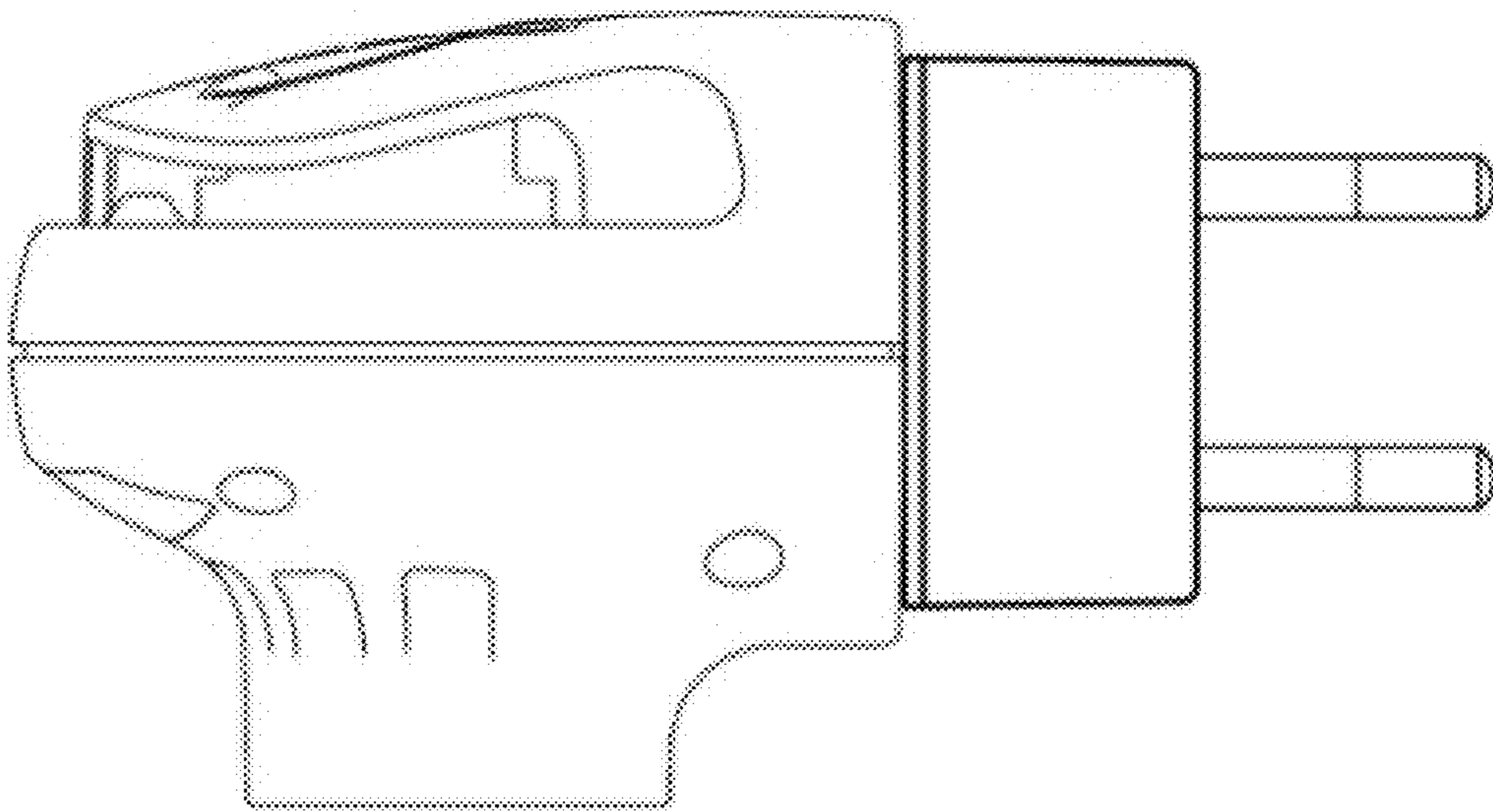
1.5: Bottom

1.6: Perspective

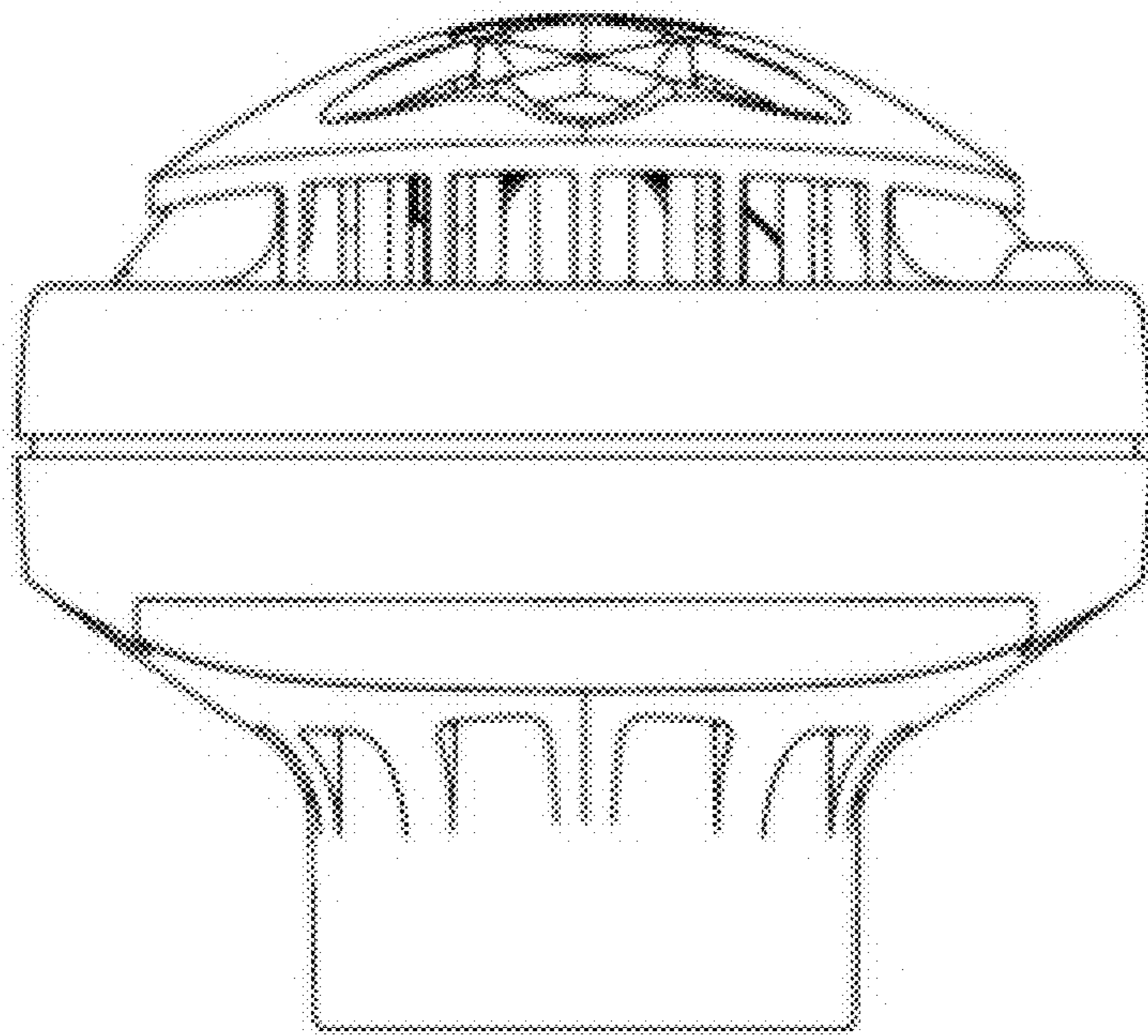
1 Claim, 6 Drawing Sheets



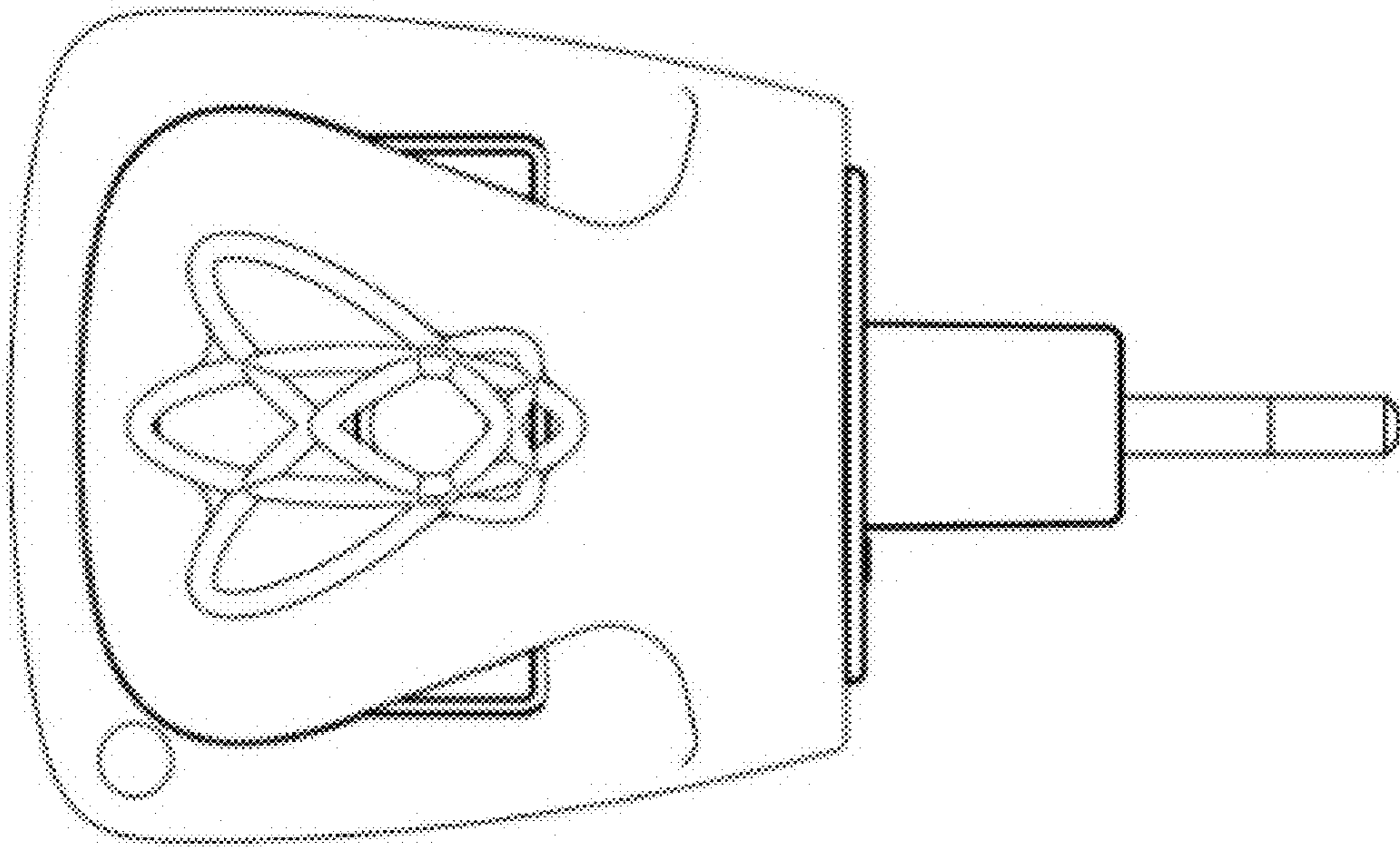
1.1



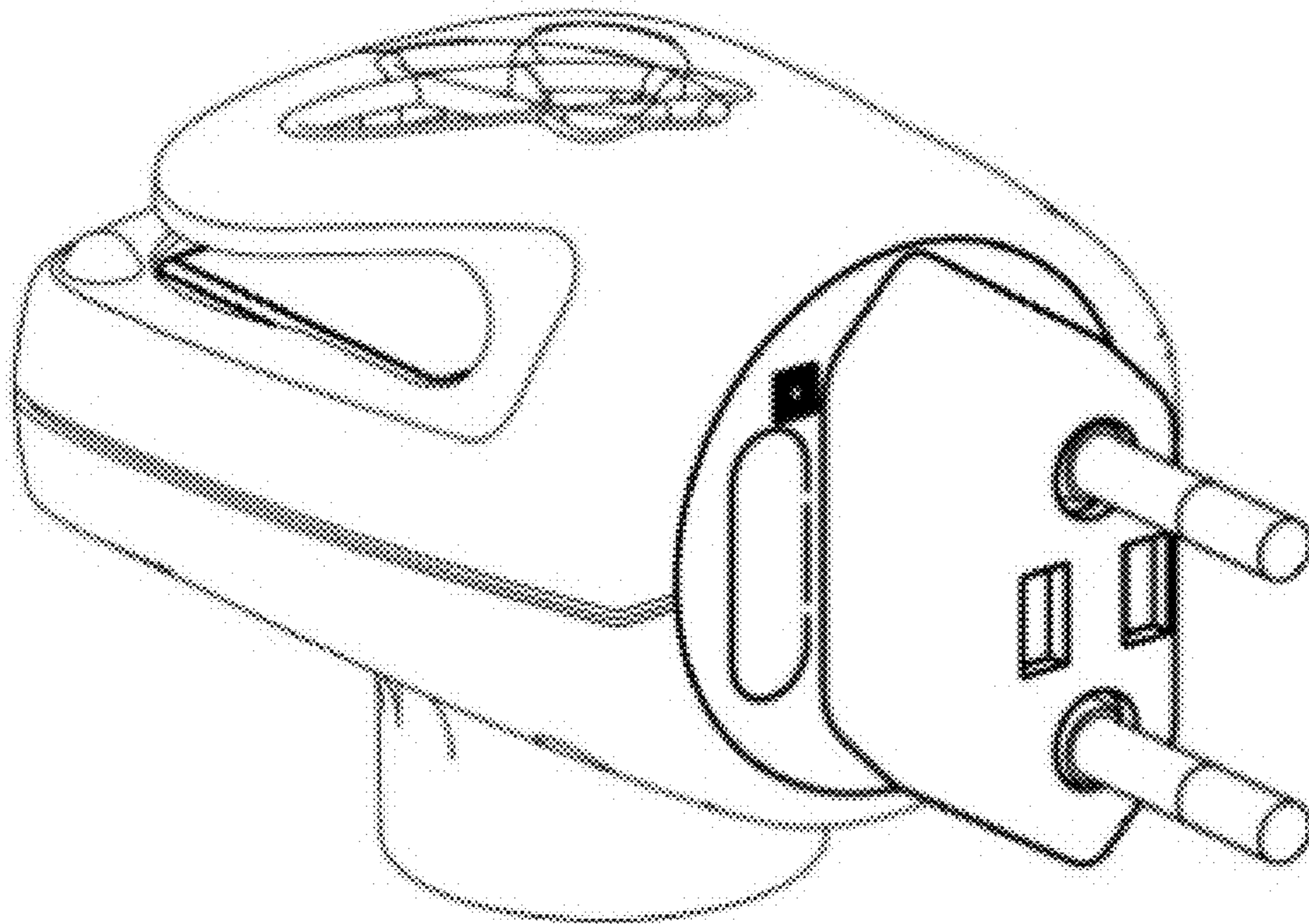
1.2



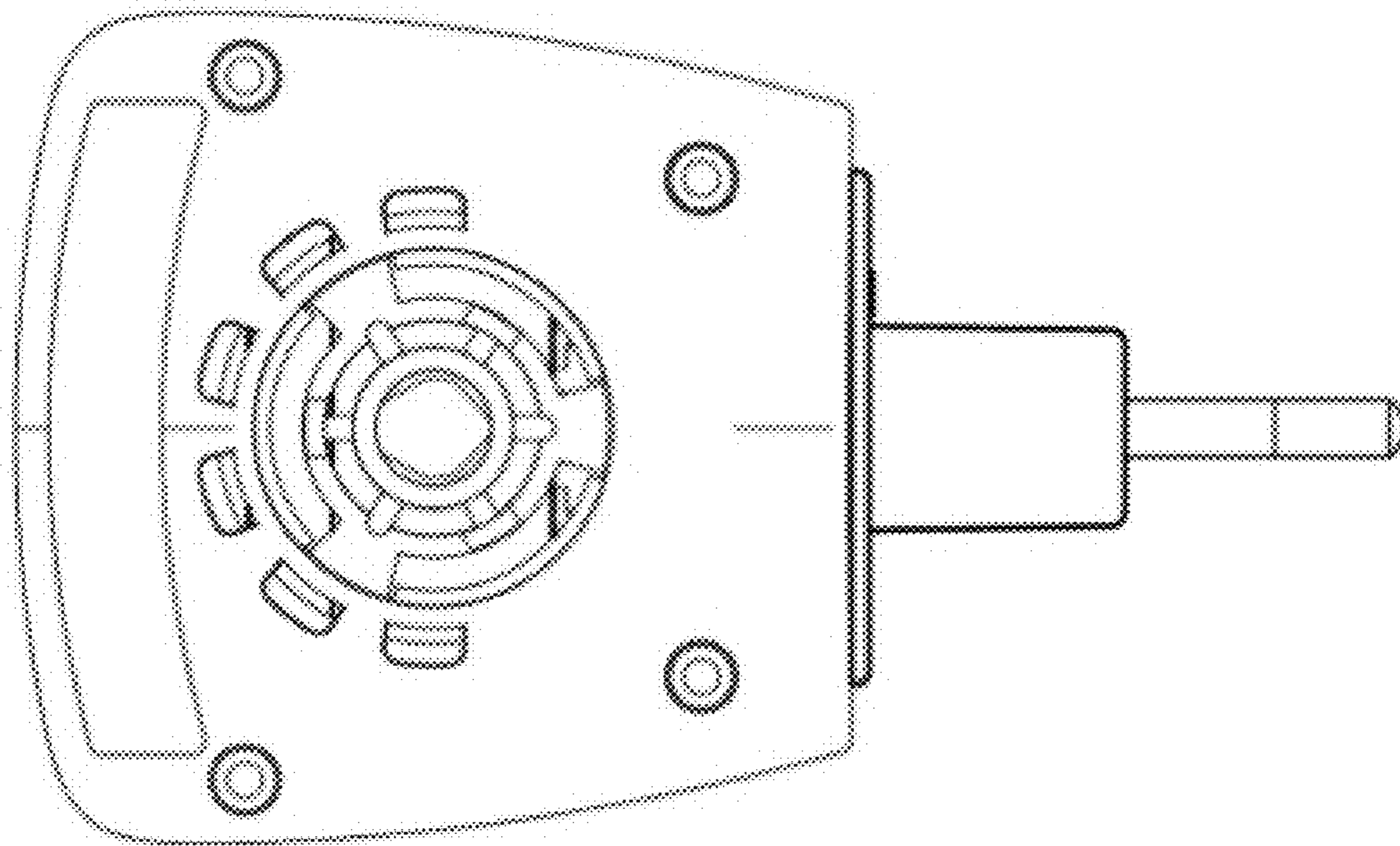
1.3



1.4



1.5



1.6

