



US00D868201S

(12) **United States Design Patent** (10) **Patent No.:** **US D868,201 S**
Walsh et al. (45) **Date of Patent:** **** Nov. 26, 2019**

(54) **RODENT TRAP**
 (71) Applicant: **OMS INVESTMENTS, INC.**, Los Angeles, CA (US)
 (72) Inventors: **James R. Walsh**, Wauwatosa, WI (US);
Paul R. Zeamer, Madison, WI (US);
Daniel C. Johnson, Madison, WI (US)
 (73) Assignee: **OMS Investments, Inc.**, Los Angeles, CA (US)

1,677,470 A 7/1928 Dorsch et al.
 2,529,589 A 11/1950 Biery
 4,030,230 A 6/1977 Souza
 4,144,667 A 3/1979 Souza
 4,245,423 A 1/1981 Souza et al.
 4,253,264 A 3/1981 Souza
 4,769,942 A 9/1988 Copenhaver, Sr.
 4,803,799 A 2/1989 Vajs et al.
 D300,163 S 3/1989 Landell et al.
 4,852,294 A 8/1989 Langli

(Continued)

(**) Term: **15 Years**
 (21) Appl. No.: **29/689,325**
 (22) Filed: **Apr. 29, 2019**

Related U.S. Application Data

(63) Continuation of application No. 29/590,426, filed on Jan. 10, 2017, now Pat. No. Des. 847,295.
 (51) **LOC (12) Cl.** **22-05**
 (52) **U.S. Cl.**
 USPC **D22/119**
 (58) **Field of Classification Search**
 USPC D22/119-124; 43/58, 60-61, 65-67, 70, 43/73, 81, 136-137
 CPC A01M 1/00; A01M 1/02; A01M 1/10; A01M 1/103; A01M 1/106; A01M 1/14
 See application file for complete search history.

(56) **References Cited**

U.S. PATENT DOCUMENTS

83,074 A 10/1868 McClure
 441,677 A 12/1890 Lovell
 982,486 A 1/1911 Edwards
 1,281,876 A 10/1918 Taylor
 D57,320 S 3/1921 Dorsch
 1,587,536 A 6/1926 Lobit

FOREIGN PATENT DOCUMENTS

EP 0280504 A2 8/1988
 EP 0553336 A1 8/1993

(Continued)

Primary Examiner — Catherine R Oliver-Garcia
 (74) *Attorney, Agent, or Firm* — Ulmer & Berne LLP

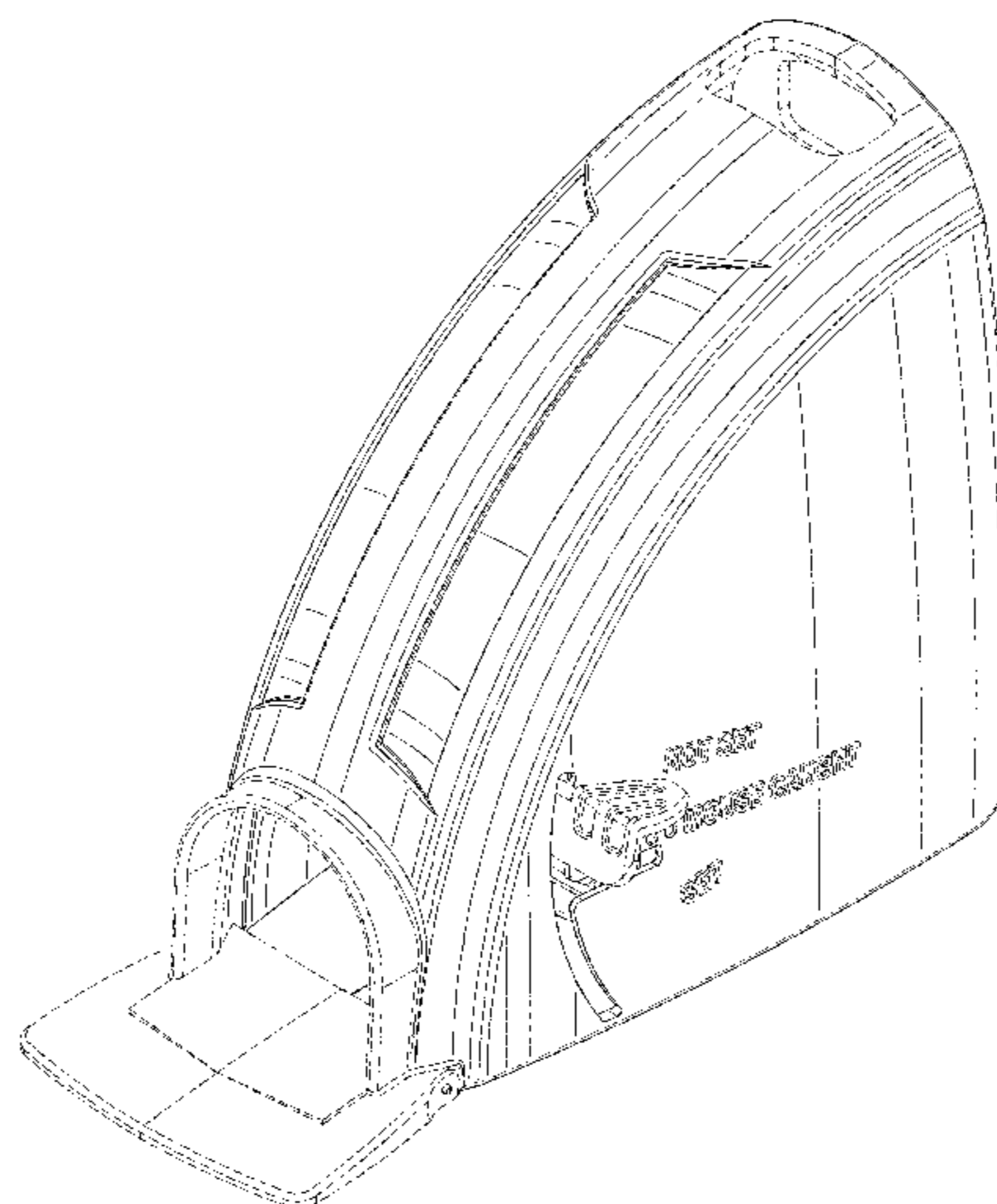
(57) **CLAIM**

The ornamental design for a rodent trap, as shown and described.

DESCRIPTION

FIG. 1 is a top, front, right side perspective view of a rodent trap showing our new design;
 FIG. 2 is a top, front, left side perspective view thereof;
 FIG. 3 is a front elevation view thereof;
 FIG. 4 is a rear elevation view thereof;
 FIG. 5 is a left side elevation view thereof;
 FIG. 6 is a right side elevation view thereof;
 FIG. 7 is a top plan view thereof;
 FIG. 8 is a bottom plan view thereof;
 FIG. 9 is a bottom, rear, left side perspective view thereof;
 and,
 FIG. 10 is bottom, rear, right side perspective view thereof.
 The dashed broken lines in the drawings illustrate the portions of the rodent trap that form no part of the claim.

1 Claim, 10 Drawing Sheets



(56)

References Cited

U.S. PATENT DOCUMENTS

4,856,225 A 8/1989 Radesky et al.
 4,858,373 A 8/1989 Combs
 4,926,581 A 5/1990 Grivas
 5,040,327 A 8/1991 Stack et al.
 5,044,113 A 9/1991 Stack et al.
 5,148,624 A 9/1992 Schmidt
 5,172,512 A 12/1992 Bodker et al.
 D346,199 S 4/1994 Spragins et al.
 5,337,512 A 8/1994 Krenzler
 5,384,981 A 1/1995 Cohen
 5,398,442 A 3/1995 Musket
 5,448,852 A 9/1995 Spragins et al.
 5,471,781 A 12/1995 Vine
 5,477,636 A 12/1995 Musket
 5,481,824 A 1/1996 Fiore, Jr.
 5,572,825 A 11/1996 Gehret
 5,577,342 A 11/1996 Johnson et al.
 D385,611 S 10/1997 Prince et al.
 D386,554 S 11/1997 Brewer
 5,692,336 A 12/1997 Fiore, Jr. et al.
 5,746,020 A 5/1998 Fiore, Jr. et al.
 5,806,237 A 9/1998 Nelson et al.
 D409,711 S 5/1999 Johnson
 5,950,353 A 9/1999 Johnson et al.
 6,047,494 A 4/2000 Johnson et al.
 D441,828 S 5/2001 Leyerle et al.
 6,266,917 B1 7/2001 Hight
 6,389,738 B1 5/2002 Denny et al.
 D459,428 S 6/2002 Johnson et al.
 6,397,517 B1 6/2002 Leyerle et al.
 6,415,544 B1 7/2002 Leyerle et al.
 6,481,151 B1 11/2002 Johnson et al.
 6,493,988 B1 12/2002 Johnson
 6,508,031 B1 1/2003 Johnson et al.
 6,574,912 B1 6/2003 Johnson
 6,594,948 B1 7/2003 Novack
 6,609,328 B2 8/2003 Swift et al.
 6,622,422 B2 9/2003 Gehret et al.
 6,631,582 B2 10/2003 Knuppel et al.
 D485,597 S 1/2004 Turner
 6,684,560 B2 2/2004 Lafforthun
 6,691,452 B1 2/2004 Knuppel et al.
 6,694,669 B2 2/2004 Gehret et al.
 6,735,899 B1 5/2004 Anderson et al.
 6,775,947 B2 8/2004 Anderson et al.
 6,796,081 B2 9/2004 Anderson et al.

6,807,768 B2 10/2004 Johnson et al.
 6,836,999 B2 1/2005 Rich et al.
 6,938,368 B2 9/2005 Guidry
 6,955,007 B2 10/2005 Gehret et al.
 6,990,766 B2 1/2006 Gehret et al.
 D514,655 S 2/2006 Rodgers et al.
 D515,175 S 2/2006 Mayo et al.
 7,010,882 B2 3/2006 Rich et al.
 7,069,688 B2 7/2006 Hill
 7,089,701 B2 8/2006 Frisch
 D529,571 S 10/2006 Hoyes
 7,171,777 B2 2/2007 Welin-Berger
 7,219,466 B2 5/2007 Rich et al.
 7,231,738 B2 6/2007 Watson et al.
 D573,224 S 7/2008 Rodriguez
 D577,412 S * 9/2008 Nathan D22/119
 D589,583 S 3/2009 Phillips et al.
 D589,584 S * 3/2009 Phillips D22/119
 D619,673 S * 7/2010 Cink D22/119
 7,814,702 B2 10/2010 Nathan et al.
 D673,640 S * 1/2013 Bailey D22/119
 D678,977 S * 3/2013 Huang D22/119
 D722,127 S * 2/2015 Huang D22/119
 D847,295 S 4/2019 Walsh et al.
 2004/0025410 A1 2/2004 Shapland
 2004/0088903 A1 5/2004 Poche
 2004/0244274 A1 12/2004 Dellevigne et al.
 2005/0279015 A1 12/2005 Hall
 2006/0032110 A1 2/2006 Yang
 2006/0042153 A1 3/2006 Bowerman
 2006/0053682 A1 3/2006 Goldstein
 2006/0117644 A1 6/2006 Hoyes et al.
 2006/0156615 A1 7/2006 Hale
 2006/0156617 A1 7/2006 Hale
 2006/0265941 A1 11/2006 Newton
 2006/0272197 A1 12/2006 Wiesener et al.
 2007/0017148 A1 1/2007 Blau
 2007/0017149 A1 1/2007 Rodgers et al.

FOREIGN PATENT DOCUMENTS

EP 0745323 A1 12/1996
 EP 1149530 A2 10/2001
 GB 2384966 A 8/2003
 JP 06165630 A 6/1994
 WO 02102147 A1 12/2002
 WO 2000502292 A1 3/2005

* cited by examiner

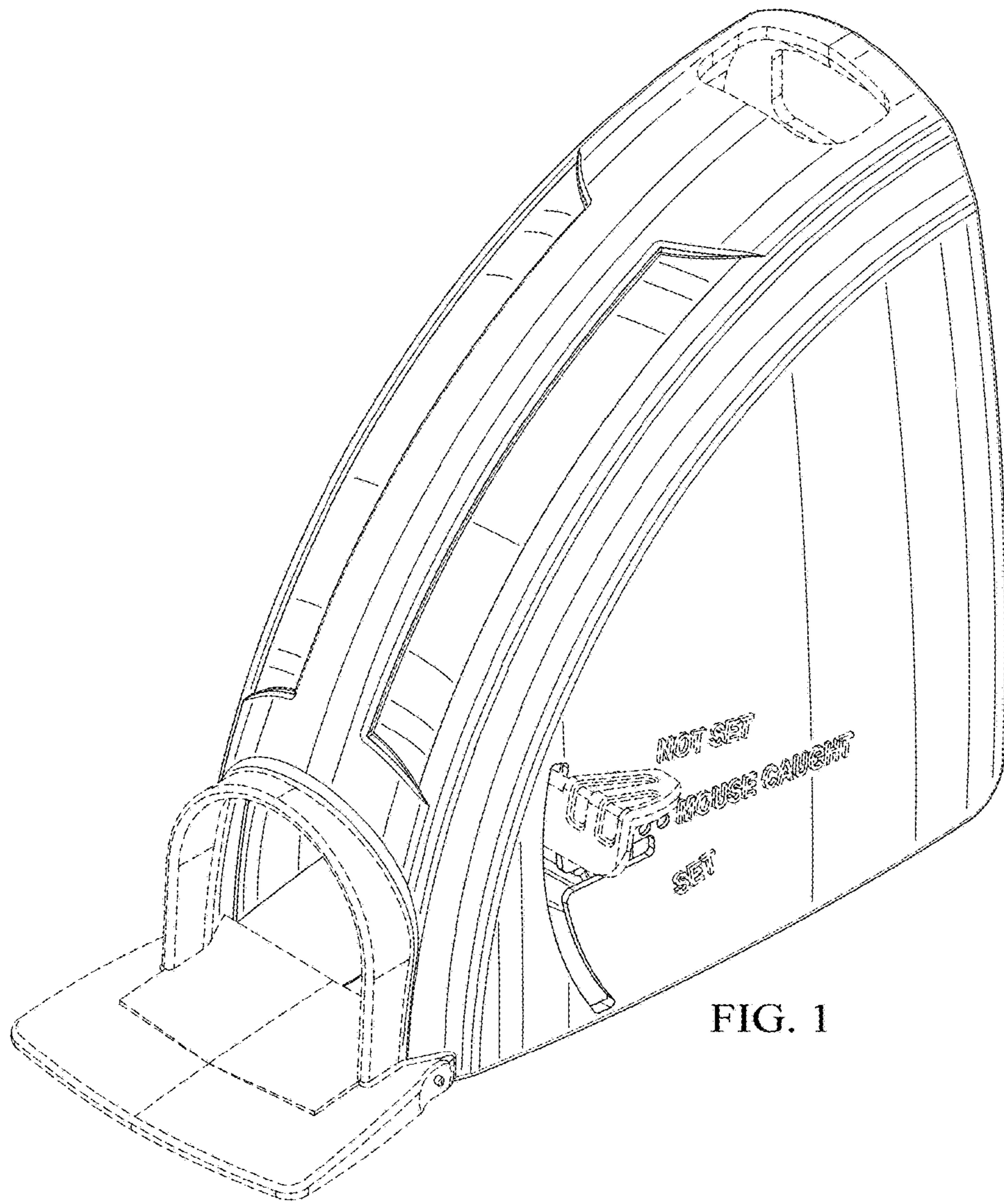


FIG. 1

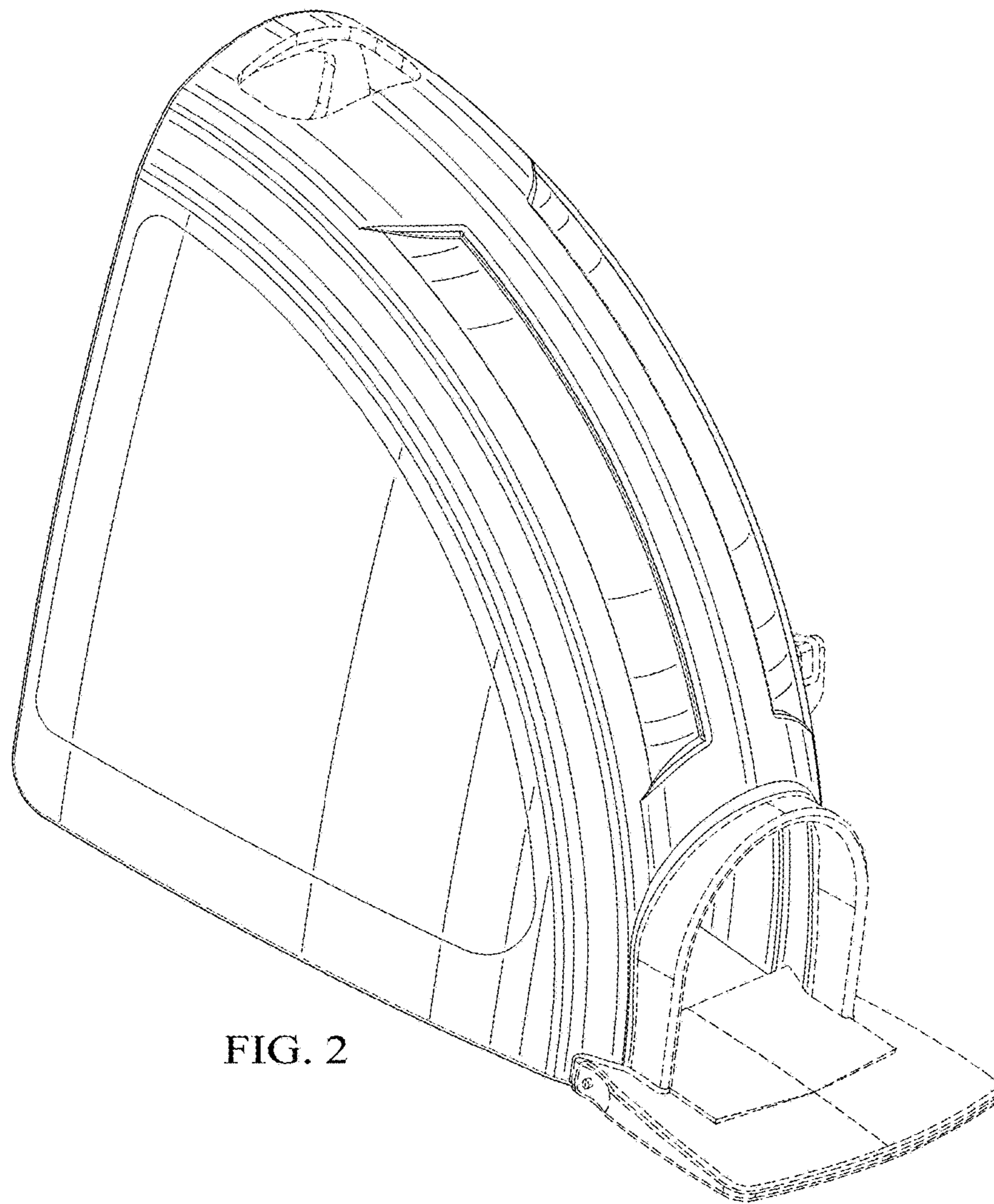


FIG. 2

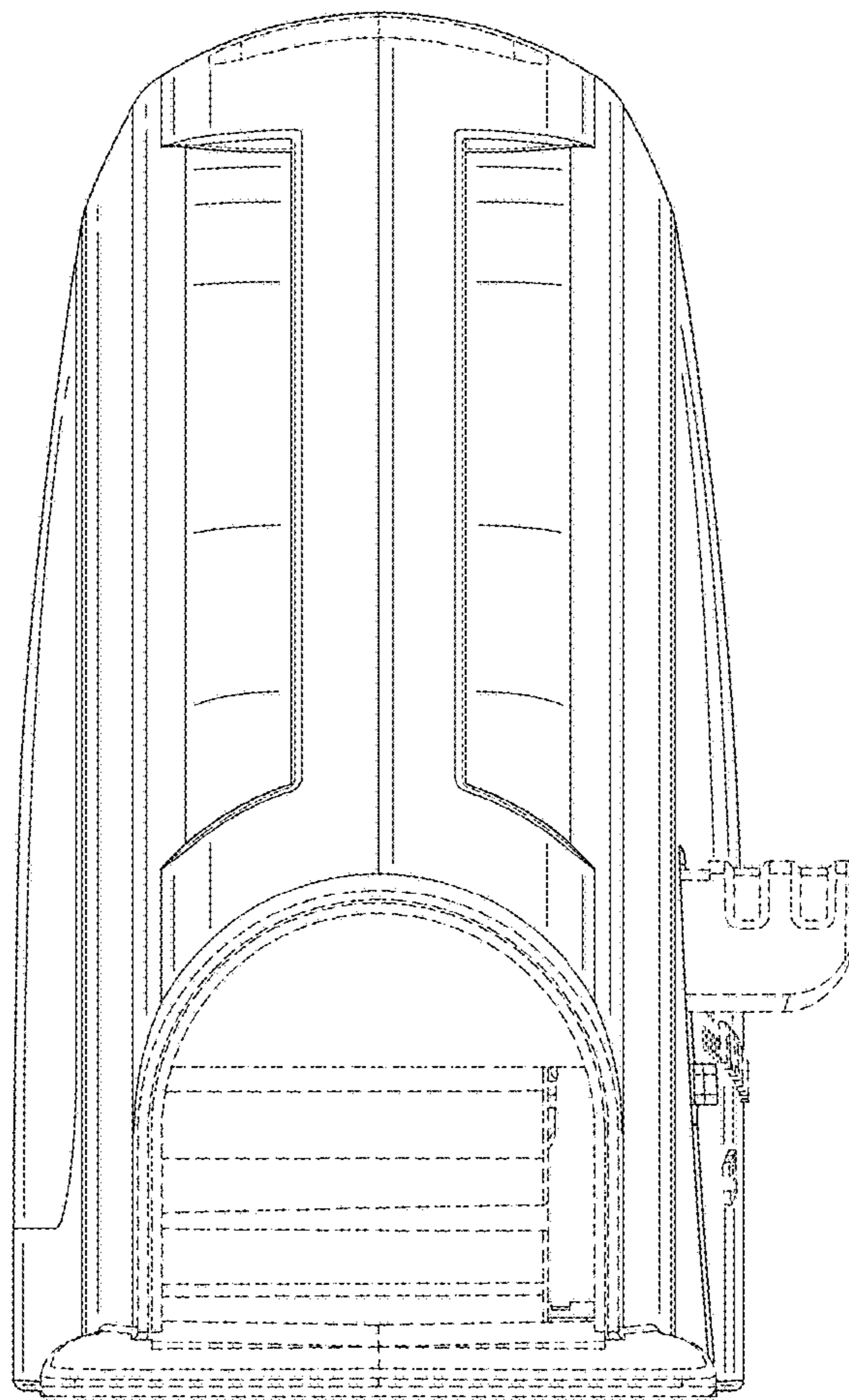


FIG. 3

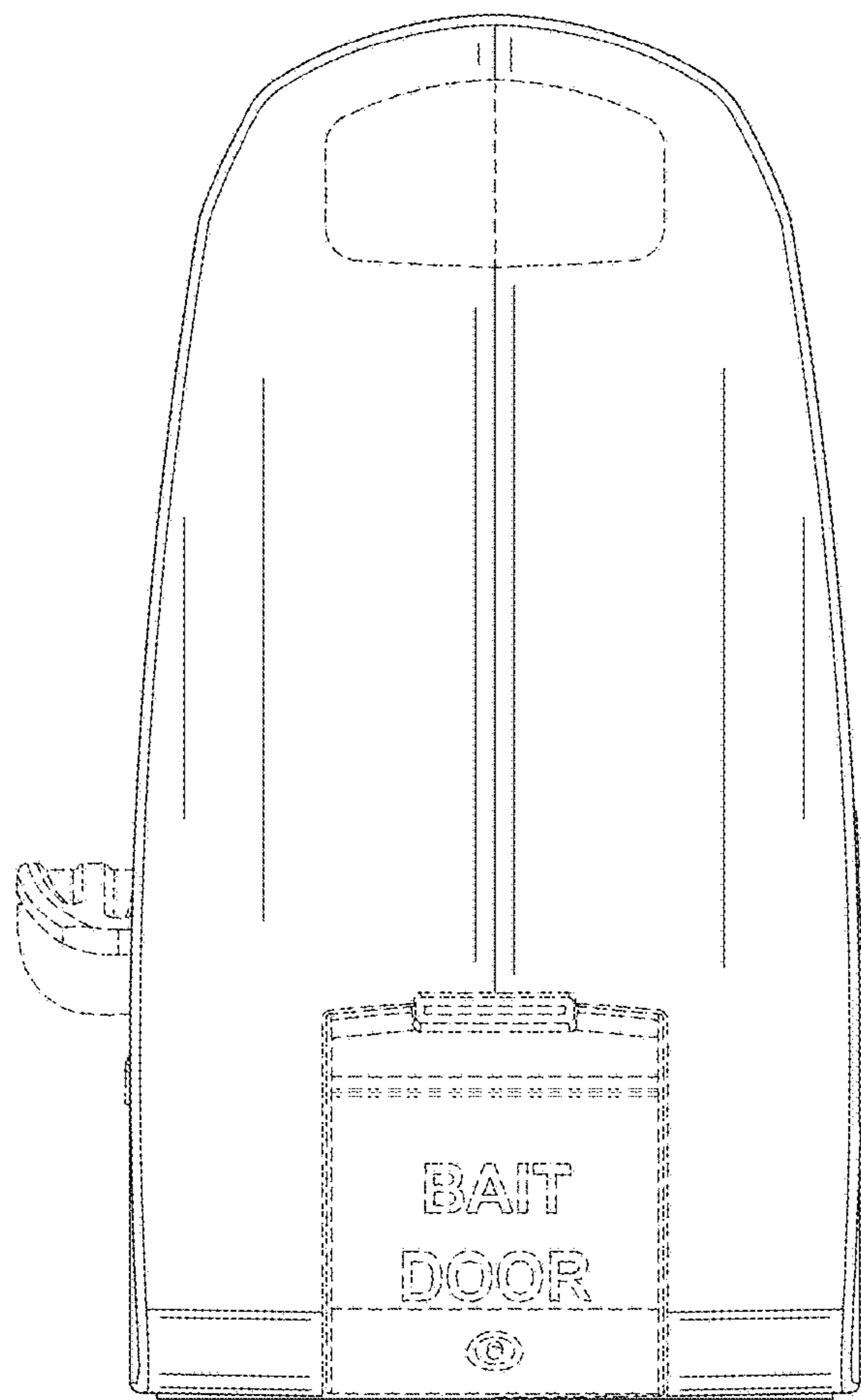


FIG. 4

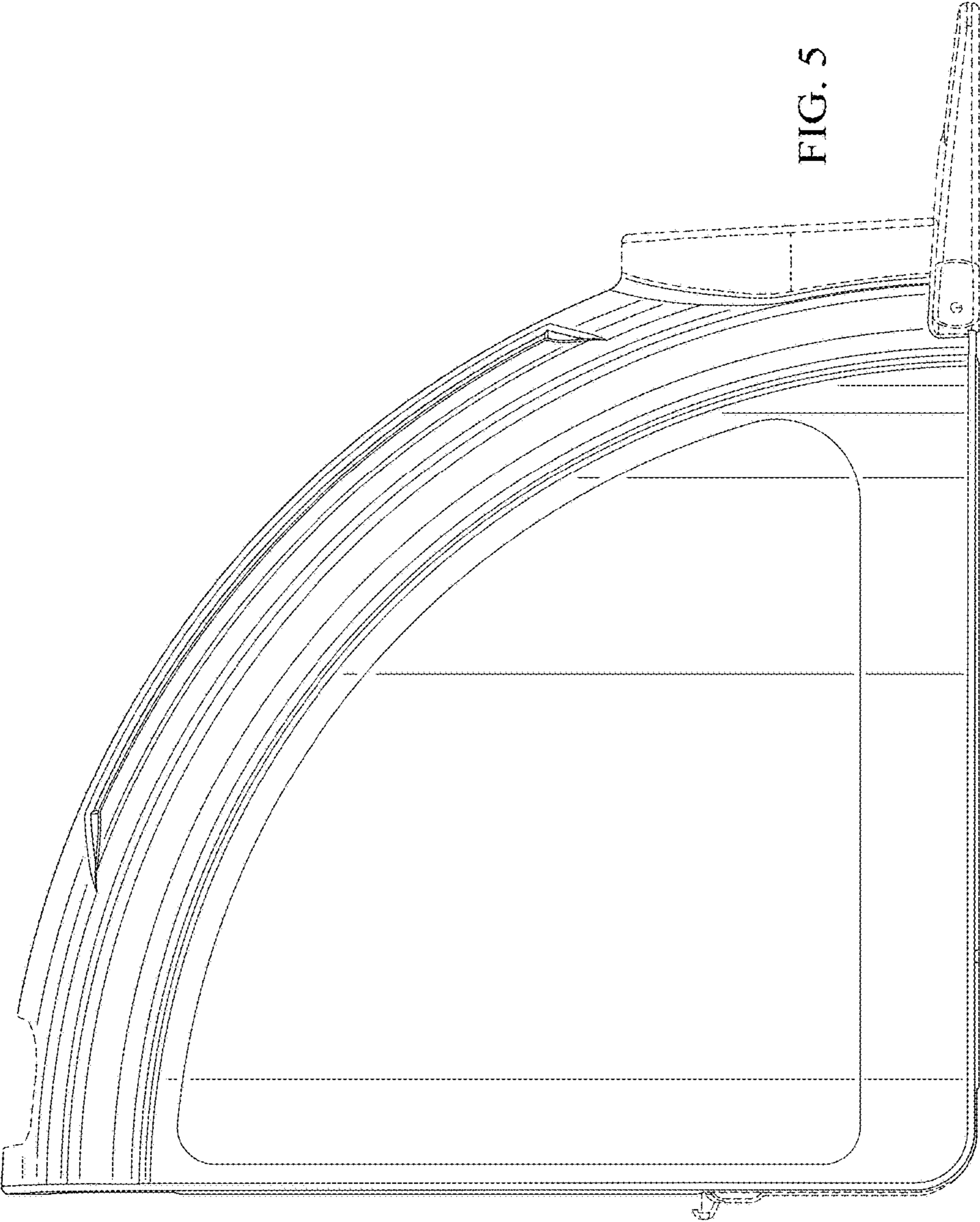
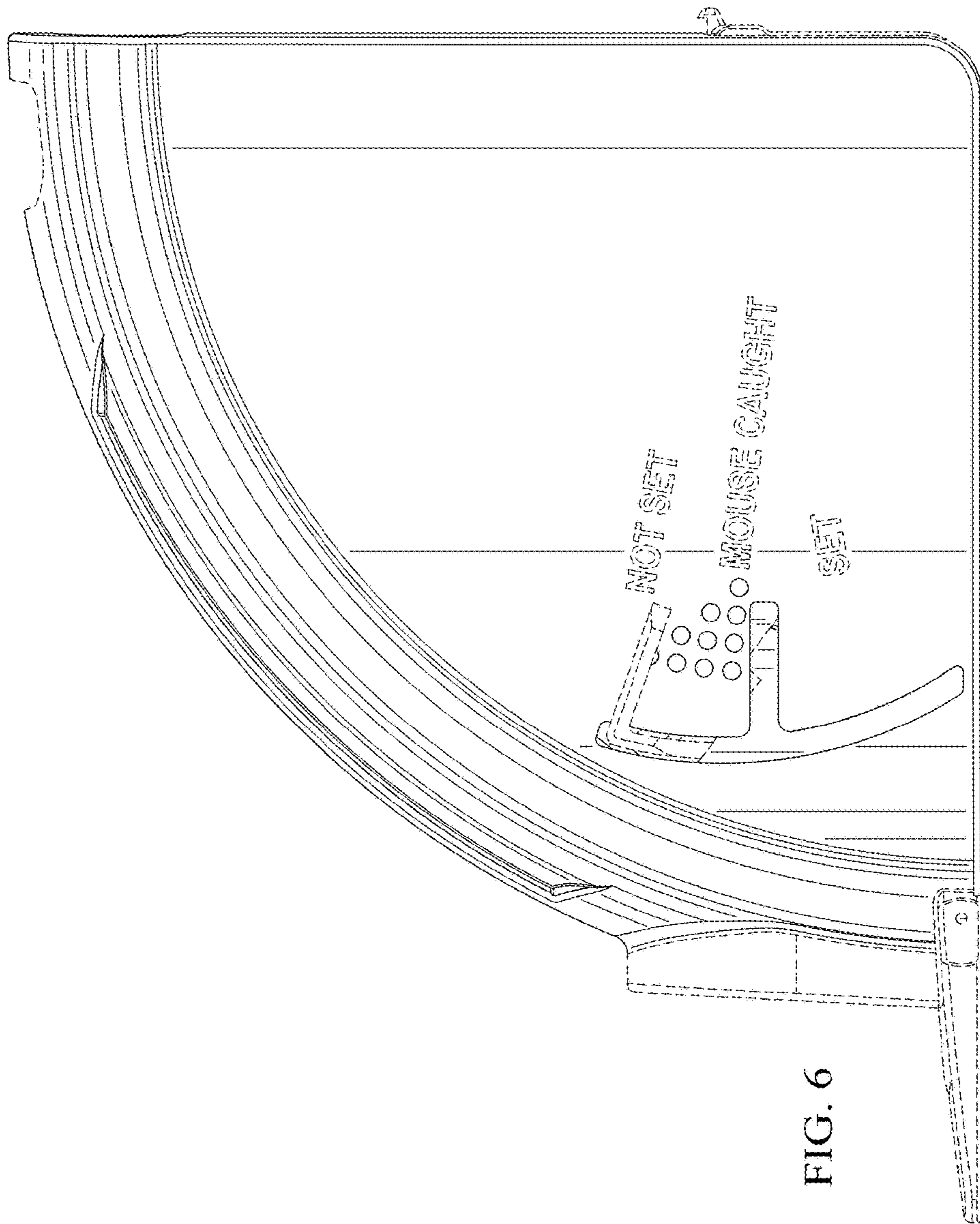


FIG. 5



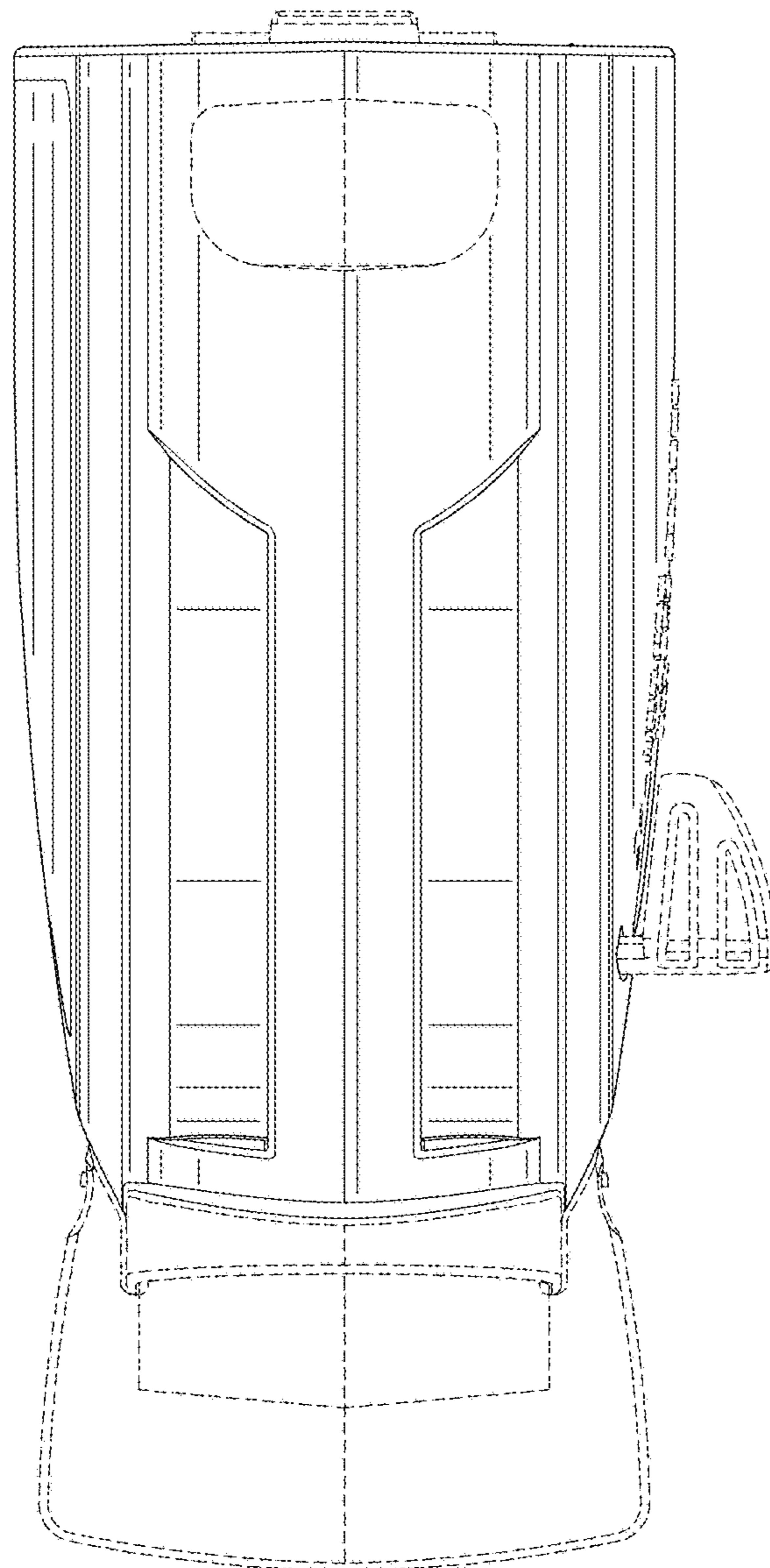


FIG. 7

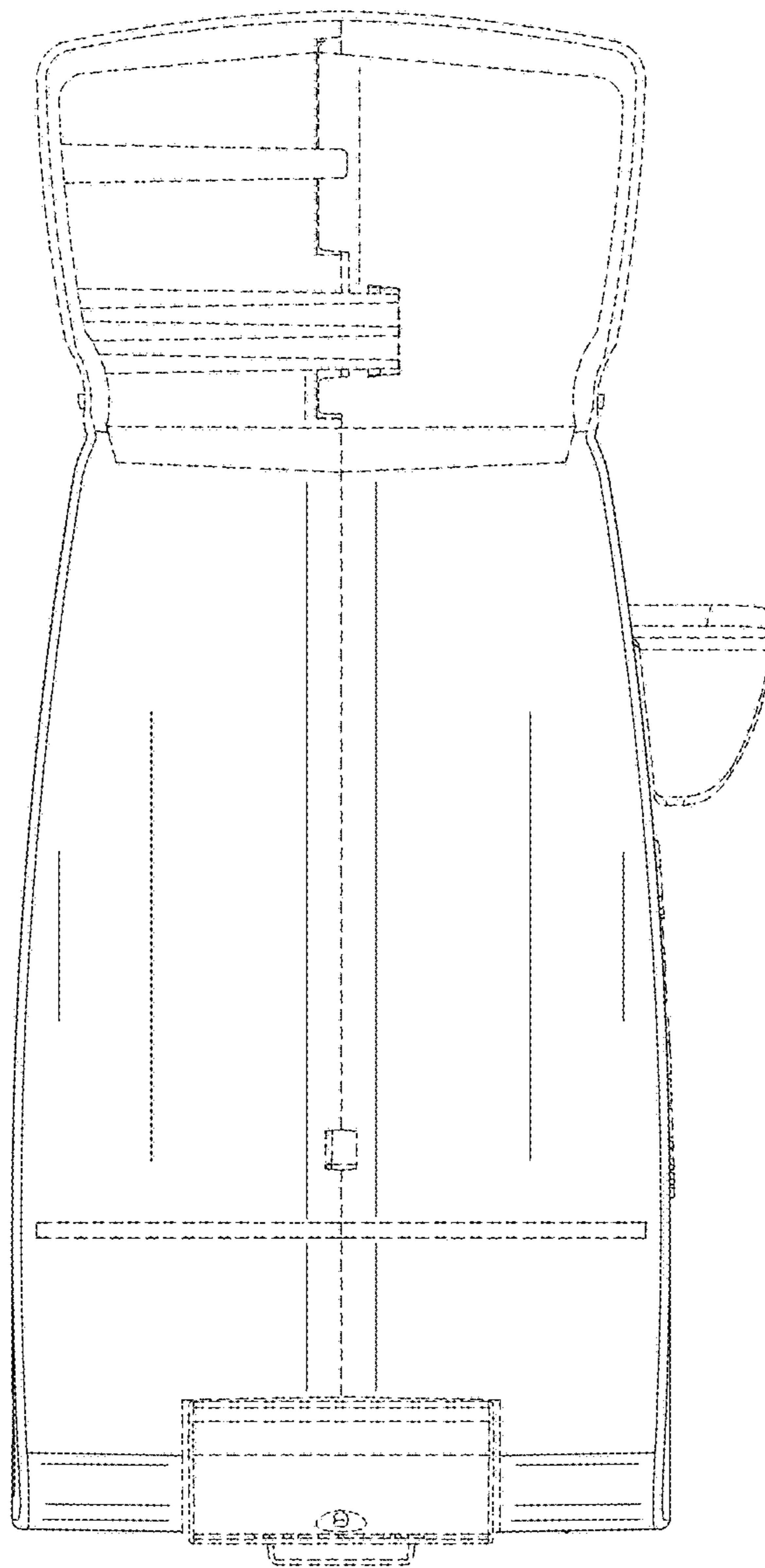


FIG. 8

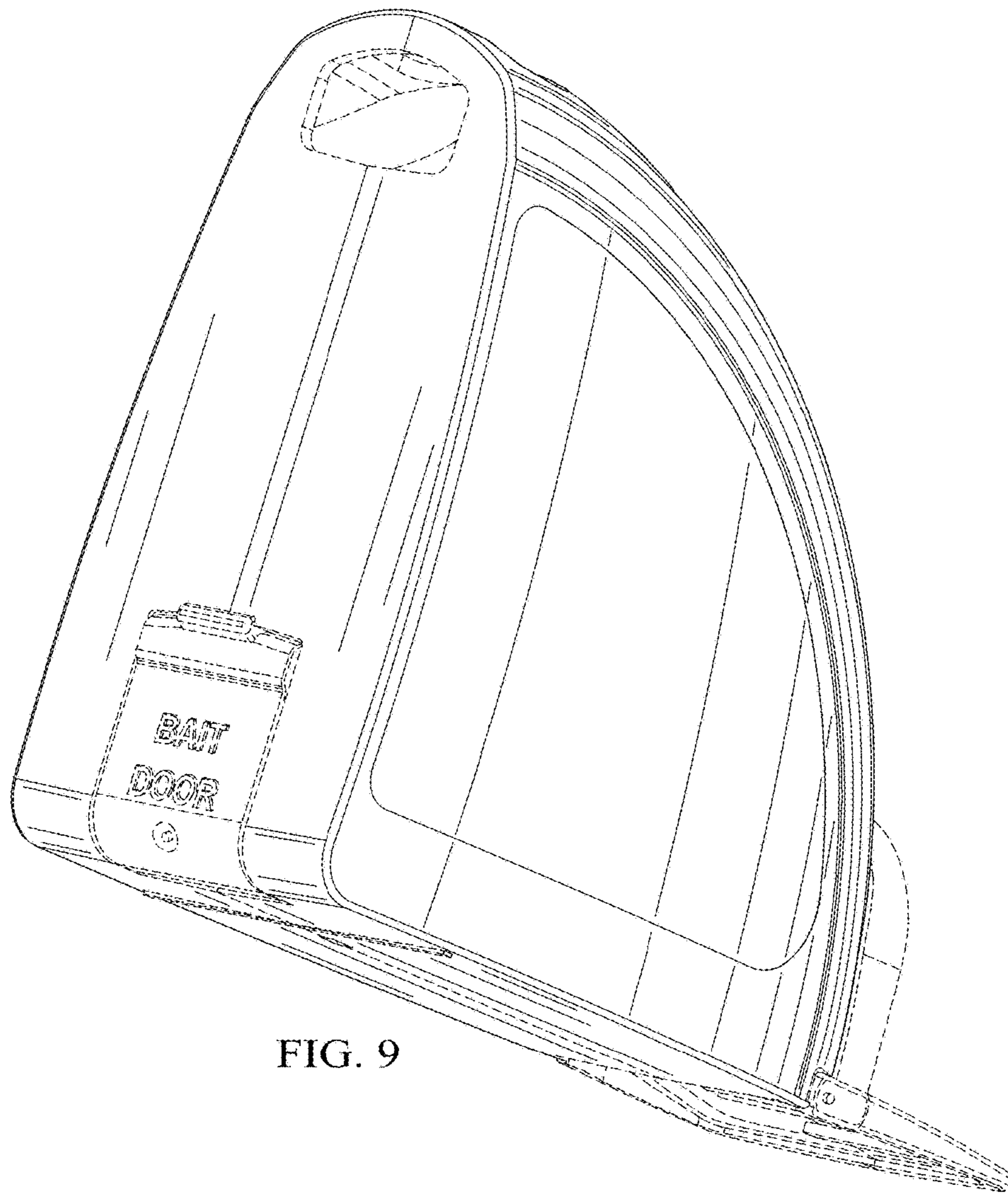


FIG. 9

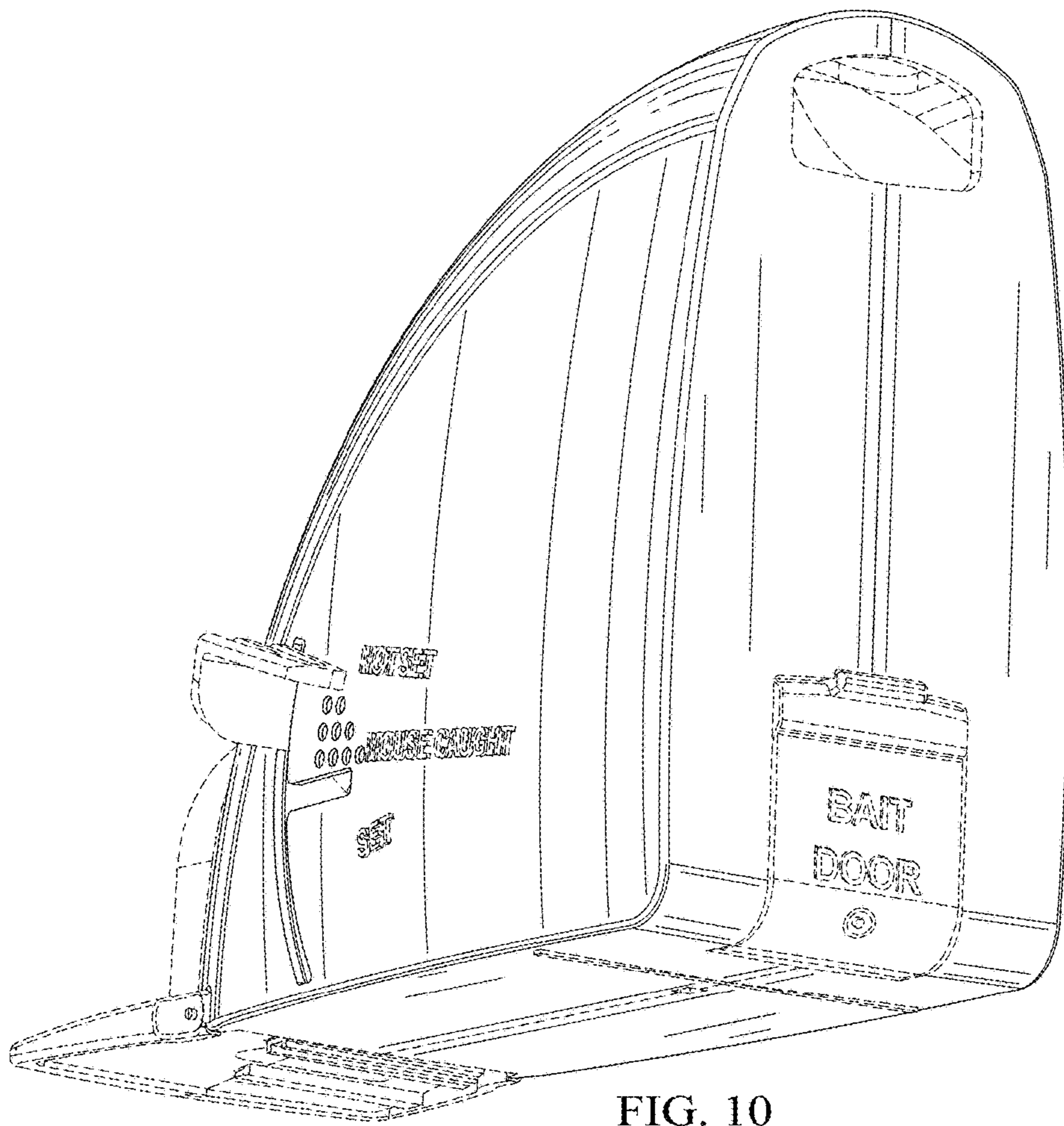


FIG. 10