



US00D868196S

(12) **United States Design Patent** (10) **Patent No.:** **US D868,196 S**  
**Schafer** (45) **Date of Patent:** **\*\* Nov. 26, 2019**

(54) **FIREARM BOLT HANDLE**  
(71) Applicant: **Q, LLC**, Portsmouth, NH (US)  
(72) Inventor: **Nicholas Schafer**, Portsmouth, NH (US)  
(73) Assignee: **Q, LLC**, Portsmouth, NH (US)  
(\*\*) Term: **15 Years**  
(21) Appl. No.: **29/617,010**  
(22) Filed: **Sep. 11, 2017**  
(51) **LOC (12) Cl.** ..... **22-01**  
(52) **U.S. Cl.**  
USPC ..... **D22/108**  
(58) **Field of Classification Search**  
USPC ..... D22/100, 101, 102, 103, 104, 105, 106,  
D22/107, 108, 109, 110, 111, 199;  
D21/571, 573, 574, 575, 746  
CPC ..... F41C 23/14; F41C 23/20; F41C 23/04;  
F41C 23/00; F41C 23/10; F41C 27/00;  
F41C 7/00; F41C 23/06; F41C 3/00;  
F41B 5/10; F41B 5/14; F41B 5/0094;  
F41B 5/1469; F41B 5/00  
See application file for complete search history.

3,274,724 A 9/1966 Brandt  
3,330,061 A 7/1967 Koon  
3,456,375 A \* 7/1969 Kulikowski ..... F41A 3/22  
42/16  
3,584,533 A 6/1971 Allyn  
3,668,800 A 6/1972 Sefried, II  
(Continued)

**OTHER PUBLICATIONS**

“The Fix Rifle by Q—Stripping the Bolt” [online]. Kit Badger. [Published on Apr. 13, 2018]. Retrieved from the Internet: <https://www.youtube.com/watch?v=\_t0pSc\_Ksdl>.\*  
(Continued)

*Primary Examiner* — Khawaja Anwar  
*Assistant Examiner* — Mojtaba Tehrani  
(74) *Attorney, Agent, or Firm* — Fox Rothschild LLP

(57) **CLAIM**

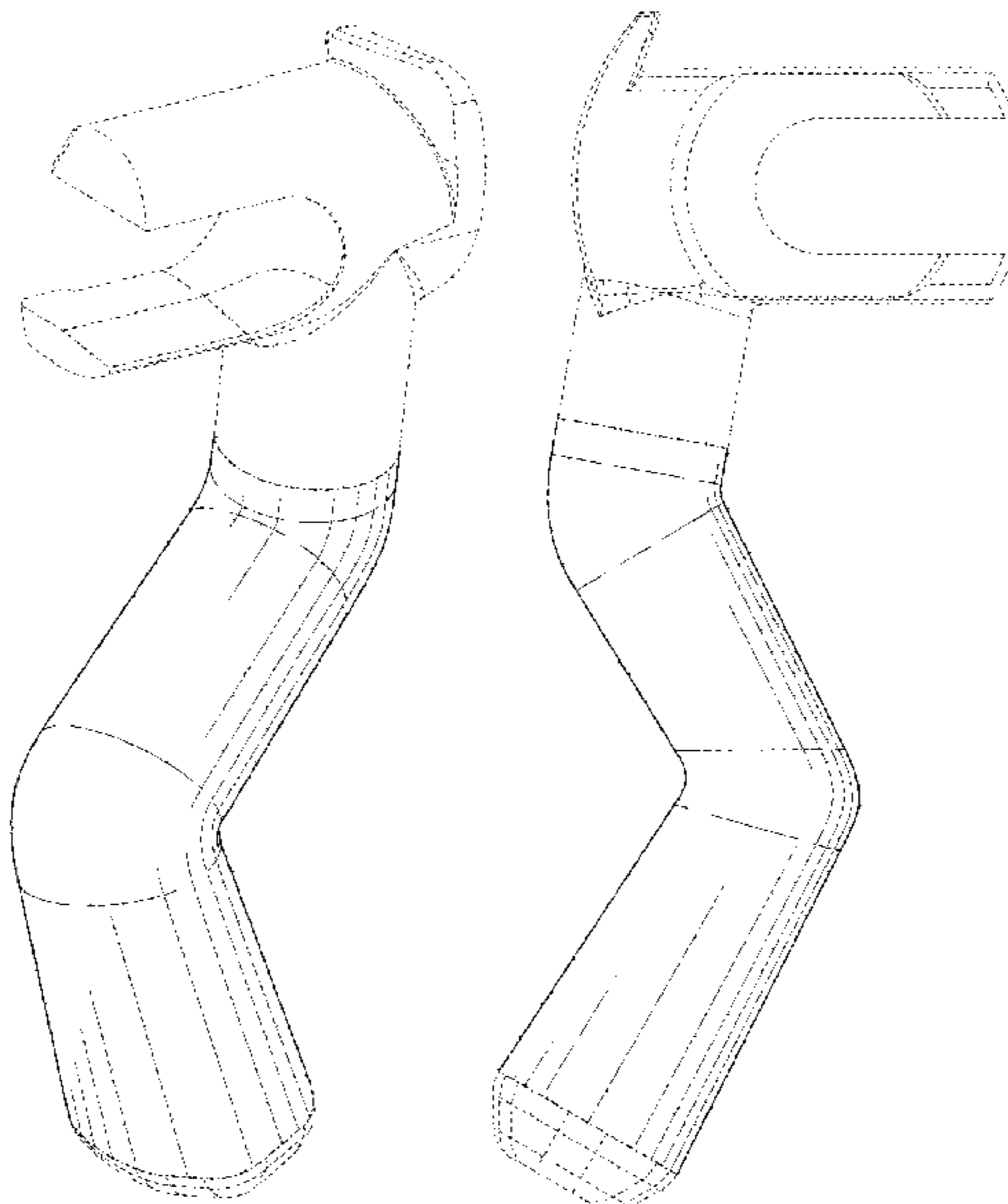
The ornamental design for a firearm bolt handle, as shown and described.

**DESCRIPTION**

FIG. 1 is an isometric view of a firearm bolt handle according to the present disclosure; FIG. 2 is a front view of the firearm bolt handle of FIG. 1; FIG. 3 is a rear view of the firearm bolt handle of FIG. 1; FIG. 4 is a right side view of the firearm bolt handle of FIG. 1; FIG. 5 is a left side view of the firearm bolt handle of FIG. 1; FIG. 6 is a top view of the firearm bolt handle of FIG. 1; and, FIG. 7 is a bottom view of the firearm bolt handle of FIG. 1. The dot-dash broken lines in the Figures represent the bounds of the claimed design while all other broken lines depict portions of the firearm bolt handle that form no part of the claimed design.

(56) **References Cited**  
U.S. PATENT DOCUMENTS  
1,209,872 A 12/1916 Nelson  
1,349,675 A 8/1920 Johnson  
1,707,538 A 4/1929 Page  
2,072,197 A 3/1937 Bergmann  
2,085,812 A 7/1937 Loomis  
2,338,682 A 1/1944 Bohan  
2,848,831 A 8/1958 McLaughlin  
3,005,279 A \* 10/1961 Brewer ..... F41A 3/22  
42/18  
3,130,513 A \* 4/1964 Knode, Jr. .... F41A 17/48  
42/70.06

**1 Claim, 3 Drawing Sheets**



(56)

References Cited

U.S. PATENT DOCUMENTS

3,673,725 A 7/1972 Cravener  
 3,711,983 A 1/1973 Allyn  
 3,791,060 A 2/1974 Weaver  
 3,979,849 A 9/1976 Haskins  
 4,015,357 A 4/1977 Andersson  
 4,020,577 A \* 5/1977 Duffy ..... F41A 3/72  
 42/106  
 4,454,672 A \* 6/1984 Timari ..... F41A 3/22  
 42/16  
 4,698,931 A 10/1987 Larsson  
 4,920,677 A 5/1990 Schuerman  
 5,440,963 A 8/1995 Szecsei  
 5,718,073 A 2/1998 Sachse et al.  
 5,915,934 A 6/1999 Knight et al.  
 5,960,574 A \* 10/1999 Lameiras Guede .... F41A 19/34  
 42/51  
 6,209,249 B1 4/2001 Borden  
 6,401,378 B1 6/2002 Ockenfuss  
 6,508,025 B1 1/2003 Du Plessis  
 7,000,345 B1 2/2006 Kay  
 8,302,340 B1 11/2012 Irwin  
 8,381,629 B2 2/2013 Szecsei  
 8,397,415 B2 3/2013 Laney et al.  
 8,533,986 B2 \* 9/2013 Klotz ..... F41A 3/18  
 42/16  
 D712,002 S \* 8/2014 Bolton ..... D22/108  
 8,925,230 B2 \* 1/2015 Warburton ..... F41A 3/22  
 42/16

9,151,553 B2 10/2015 Constant et al.  
 9,163,888 B1 10/2015 DiOrio  
 9,377,255 B2 6/2016 Karagias  
 9,658,009 B1 \* 5/2017 Vankeuren, III ..... F41A 3/72  
 10,006,726 B1 6/2018 Oglesby  
 10,077,957 B1 9/2018 Aguf  
 2010/0281733 A1 \* 11/2010 Constant ..... F41A 3/22  
 42/16  
 2010/0307042 A1 12/2010 Jarboe et al.  
 2011/0061523 A1 3/2011 Webb  
 2012/0073177 A1 3/2012 Laney et al.  
 2014/0196347 A1 7/2014 Komatsu et al.  
 2015/0233656 A1 \* 8/2015 Karagias ..... F41C 23/04  
 42/16  
 2016/0252314 A1 9/2016 Mather  
 2018/0195818 A1 7/2018 Schafer  
 2018/0195823 A1 7/2018 Schafer et al.

OTHER PUBLICATIONS

“We Knew Q LLC Was Going to Make Next-Gen ARs and Silencers, But We Didn’t Expect The Fix” [online]. Rob Curtis. [Published on Jan. 16, 2017]. Retrieved from the Internet: <<https://www.recoilweb.com/we-knew-q-llc-was-going-to-make-next-gen-ars-and-silencers-but-we-didnt-expect-the-fix-122186.html>>.\*  
 “Bolt Guns—a Survey of Rem 700 Custom Actions” [online]. Rob Curtis. [Published on Dec. 25, 2016]. Retrieved from the Internet: <<https://www.recoilweb.com/rem-700-custom-actions-109106.html>>.\*

\* cited by examiner

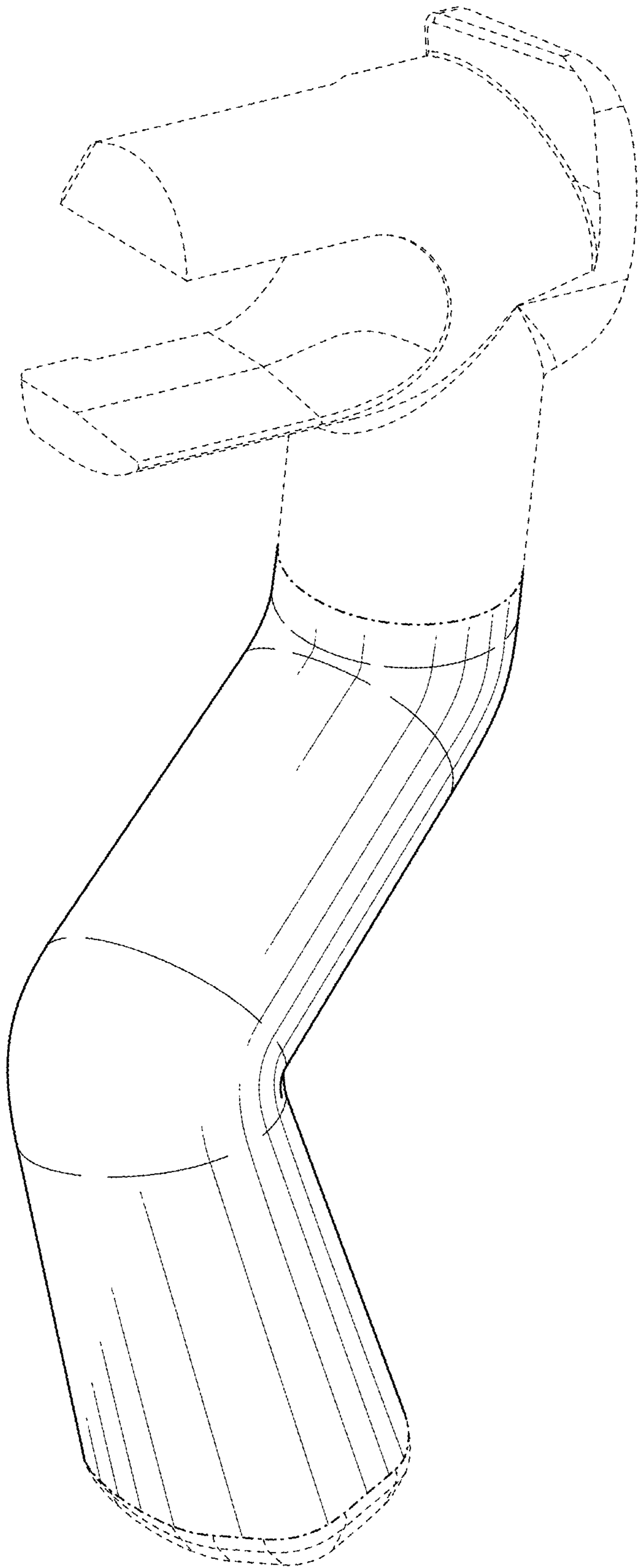


FIG. 1

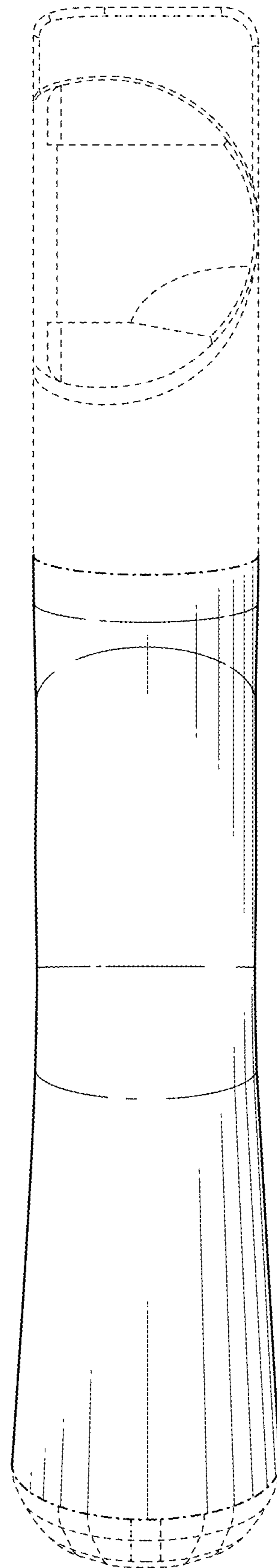


FIG. 2

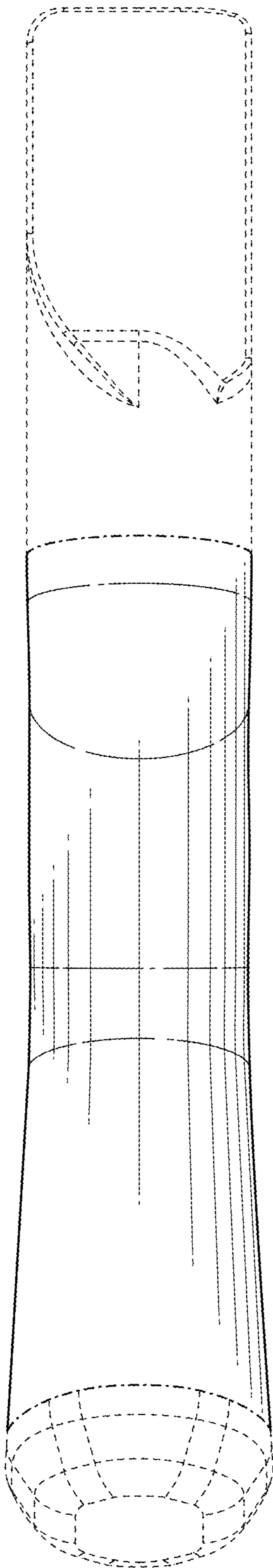


FIG. 3

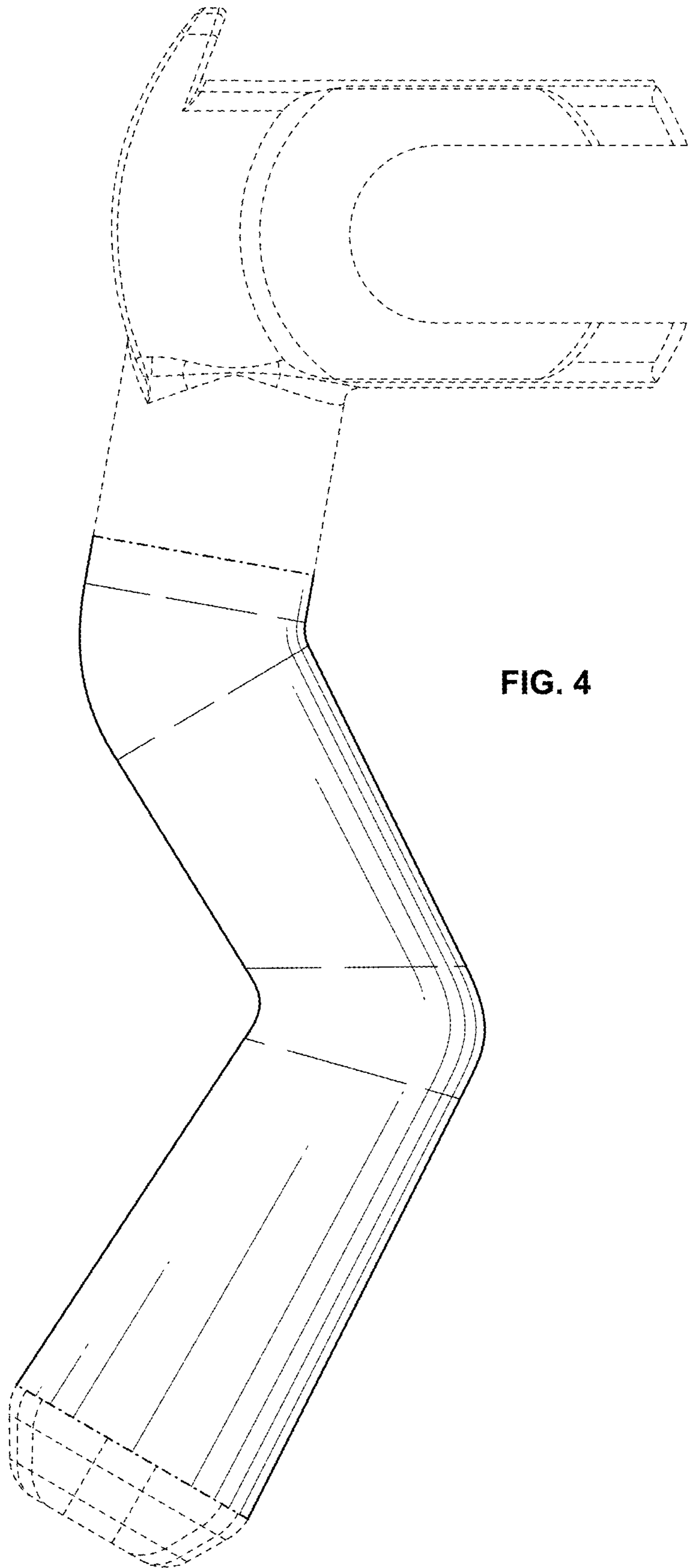


FIG. 4

FIG. 6

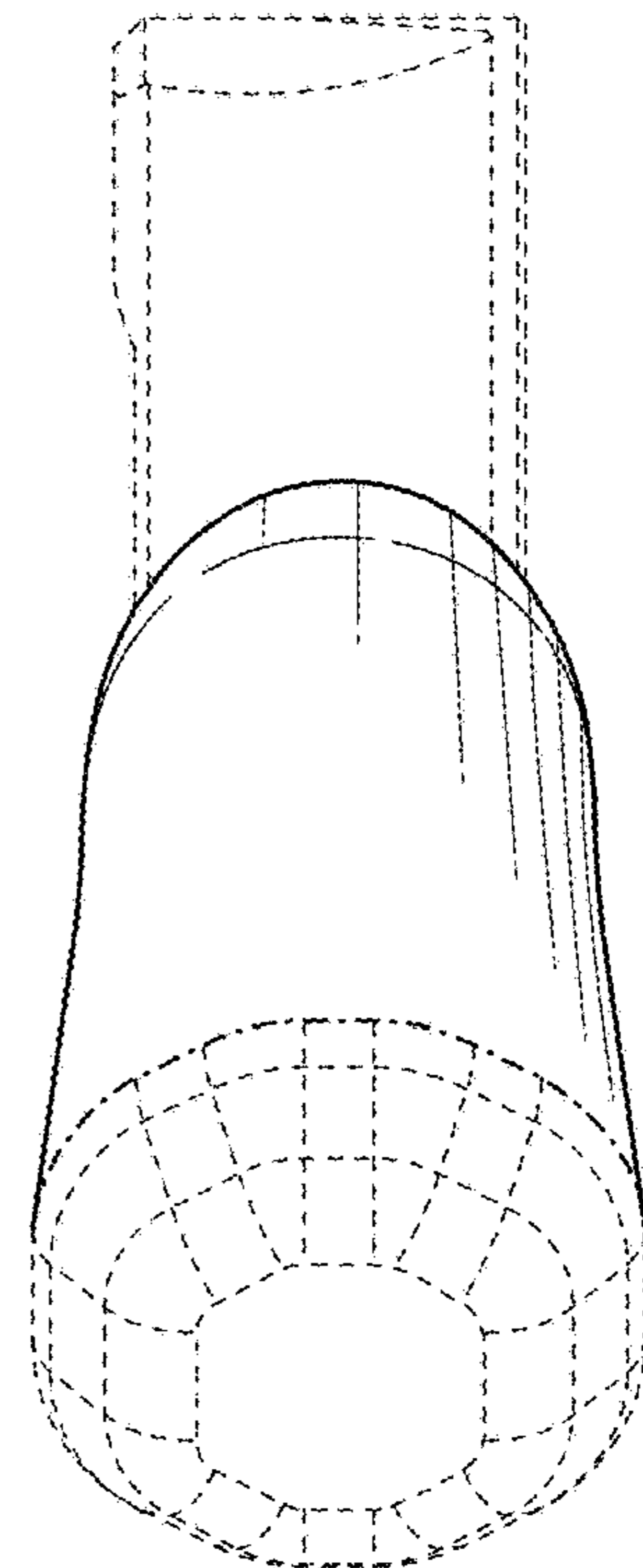
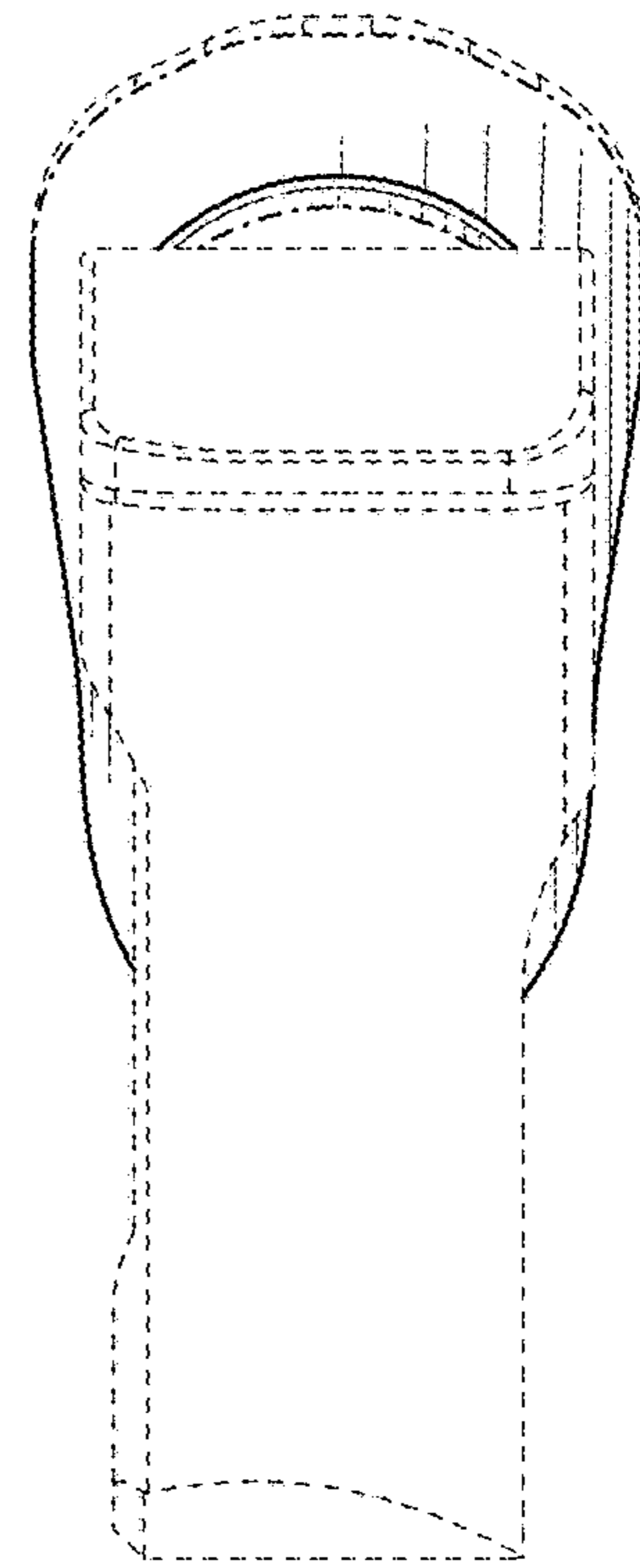


FIG. 7

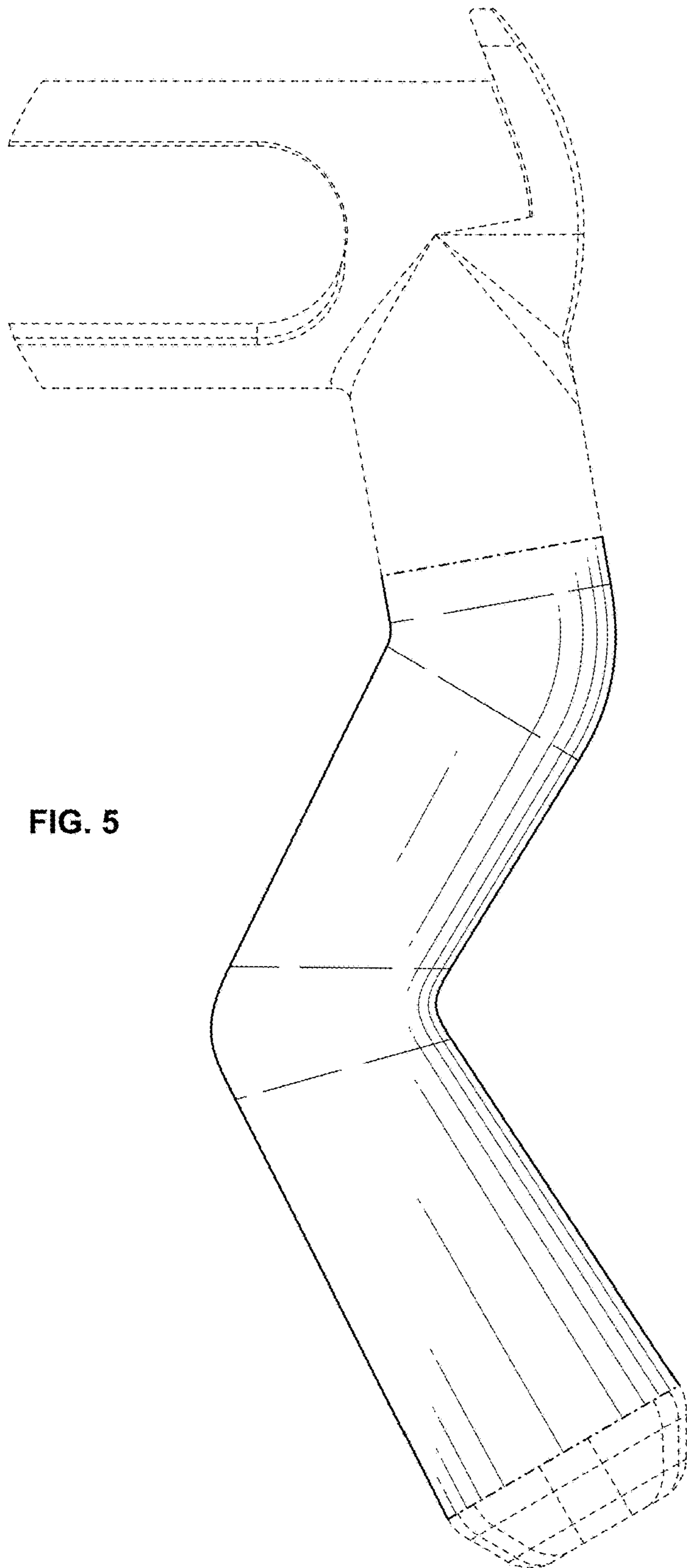


FIG. 5