



US00D868194S

(12) **United States Design Patent** (10) **Patent No.:** **US D868,194 S**  
**Ozanne** (45) **Date of Patent:** **\*\* \*Nov. 26, 2019**

(54) **CROSSBOW RAIL**  
(71) Applicant: **MCP IP, LLC**, Sparta, WI (US)  
(72) Inventor: **Jeffrey A. Ozanne**, Sparta, WI (US)  
(73) Assignee: **MCP IP, LLC**, Sparta, WI (US)  
(\* ) Notice: This patent is subject to a terminal disclaimer.

(\*\*) Term: **15 Years**

(21) Appl. No.: **29/632,675**

(22) Filed: **Jan. 9, 2018**

(51) **LOC (12) Cl.** ..... **22-01**

(52) **U.S. Cl.**  
USPC ..... **D22/107**

(58) **Field of Classification Search**  
USPC ..... D21/301, 304, 567, 570, 571, 573, 574,  
D21/575, 746; D22/100, 101, 102, 103,  
D22/106, 107, 108, 109, 110, 111, 112,  
D22/115, 116, 199  
CPC ..... F41A 3/26; F41A 3/12; F41A 5/02; F41A  
17/22; F41B 5/143; F41B 5/14; F41B  
5/066; F41B 7/08; F41B 5/1446; F41B  
5/148; F41B 5/1465; F42B 6/04; F42B  
6/08; F42B 6/02; F42B 6/06; F42B  
12/362; F41C 23/16; F41C 27/00; F41C  
7/00; F41G 11/003; F41G 11/001; F41G  
11/004; F41G 11/005; A63H 5/04

See application file for complete search history.

(56) **References Cited**

**U.S. PATENT DOCUMENTS**

D415,812 S \* 10/1999 Andrews, Jr. .... D22/100  
7,997,258 B2 8/2011 Shepley et al.  
D685,874 S \* 7/2013 Andrews, Jr. .... D22/108  
D718,404 S \* 11/2014 Barnett ..... D22/107  
9,500,433 B2 \* 11/2016 McPherson ..... F41B 5/1403

D775,298 S \* 12/2016 Barnett ..... D22/107  
D779,617 S \* 2/2017 Barnett ..... D22/107  
D779,621 S \* 2/2017 Salvador ..... D22/108  
D780,277 S \* 2/2017 Barnett ..... D22/107  
9,658,025 B2 5/2017 Trpkovski  
D834,113 S \* 11/2018 Chu ..... D21/574  
2014/0069402 A1\* 3/2014 McPherson ..... F41B 5/123  
124/25  
2014/0069404 A1 3/2014 McPherson  
2015/0233664 A1 8/2015 McPherson

**OTHER PUBLICATIONS**

“Mission SUB-1 Crossbow at LancasterArchery.com” [online]. Lancaster Archery Supply. [Published on Oct. 3, 2017]. Retrieved from the Internet: <<https://www.youtube.com/watch?v=1WPcrlXRwS4>>.\*

\* cited by examiner

*Primary Examiner* — Khawaja Anwar  
*Assistant Examiner* — Mojtaba Tehrani

(57) **CLAIM**

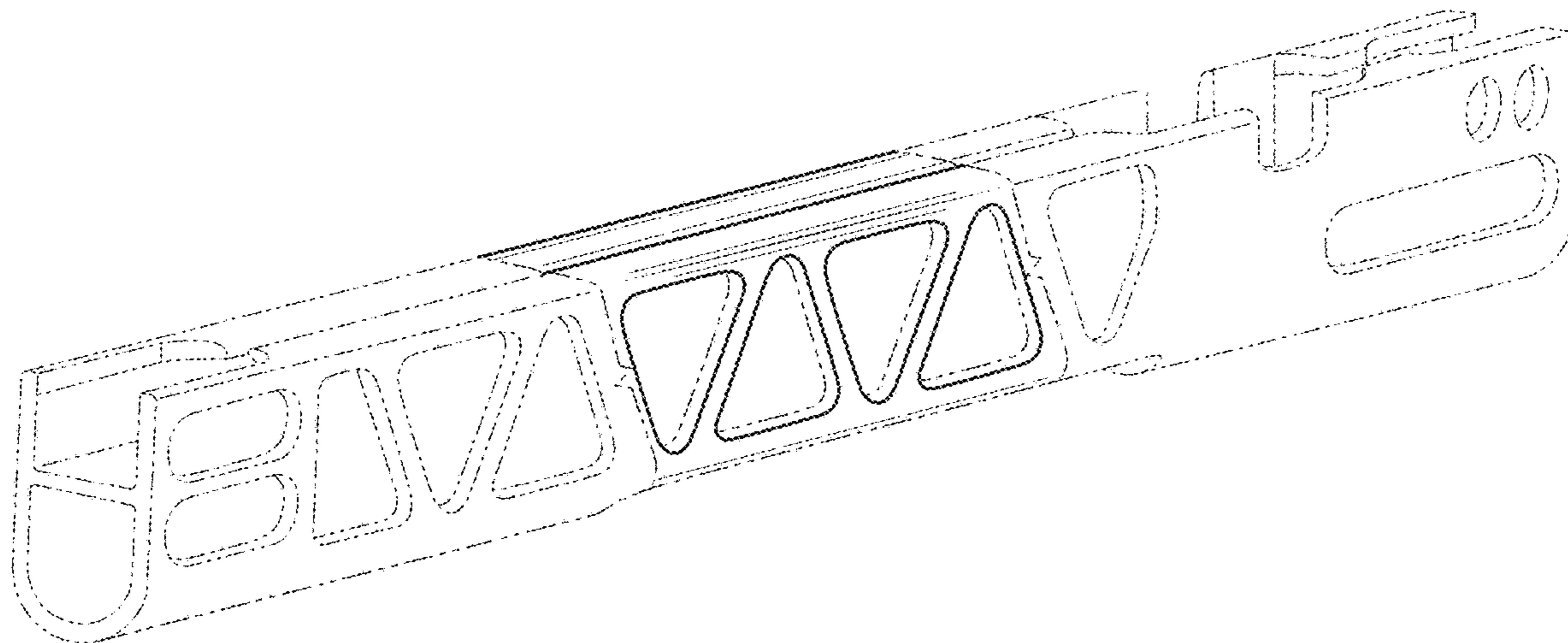
The ornamental design for a crossbow rail, as shown and described.

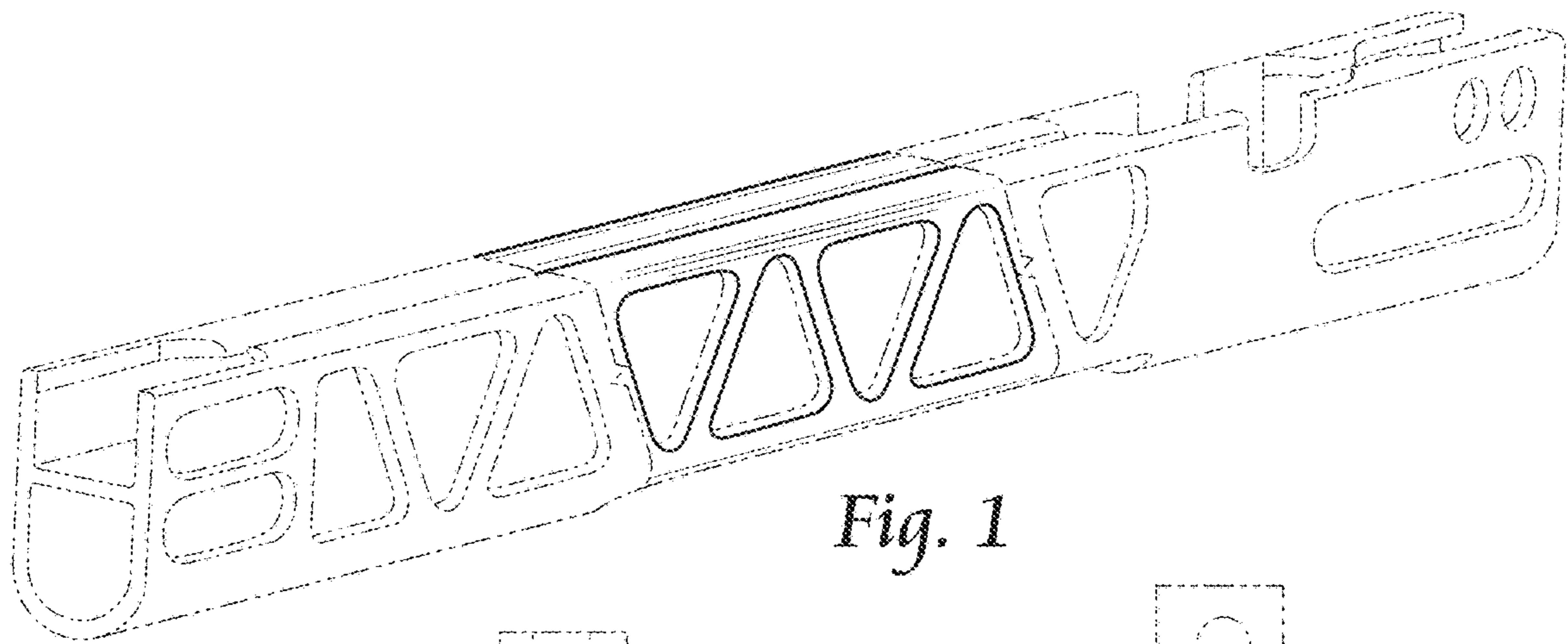
**DESCRIPTION**

FIG. 1 is a top perspective view of a crossbow rail, showing my new design;  
FIG. 2 is a top plan view thereof;  
FIG. 3 is a bottom plan view thereof;  
FIG. 4 is a left side view thereof;  
FIG. 5 is a right side view thereof;  
FIG. 6 is a front elevation view thereof; and,  
FIG. 7 is a rear elevation view thereof back of the crossbow rail.

The broken lines in the drawings disclose unclaimed portions of the crossbow rail only and form no portion of the claimed design.

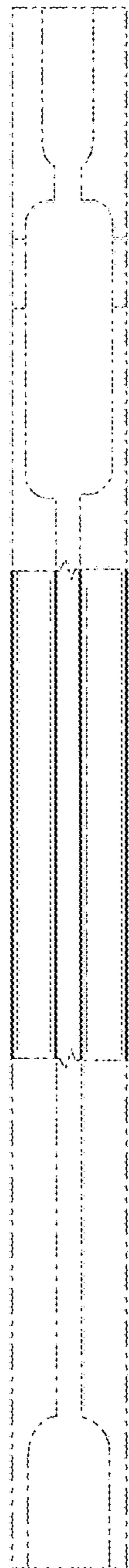
**1 Claim, 2 Drawing Sheets**



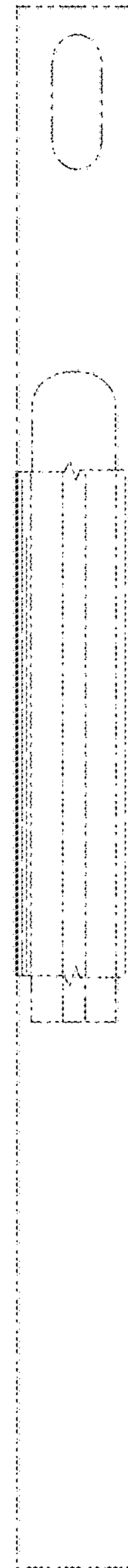


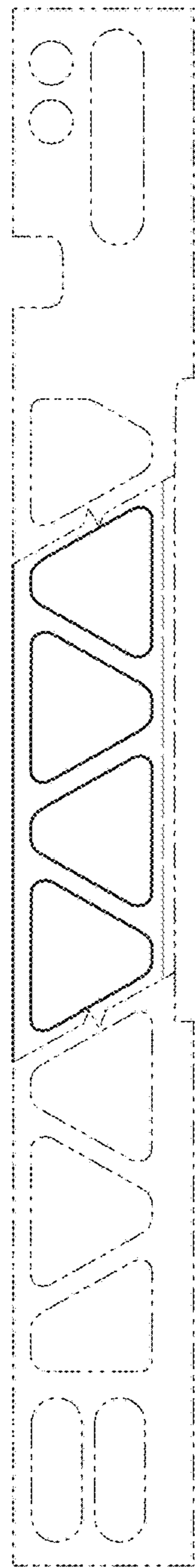
*Fig. 1*

*Fig. 2*

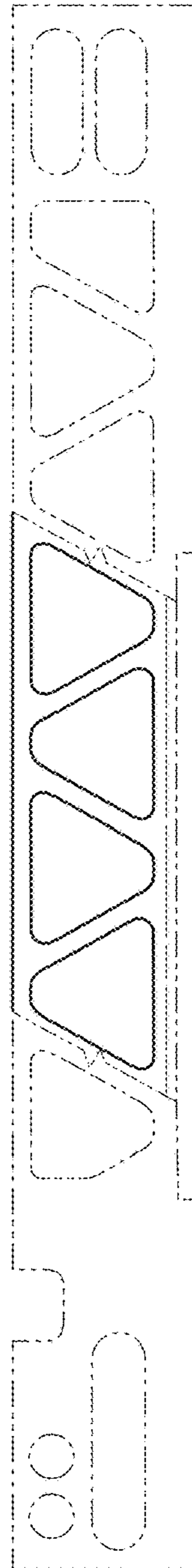


*Fig. 3*



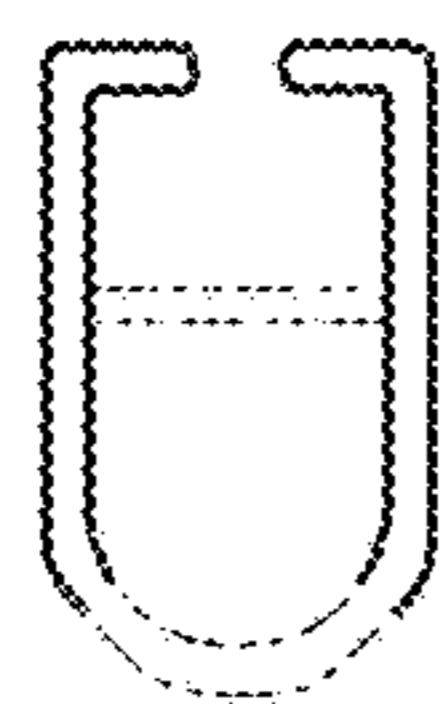


*Fig. 4*



*Fig. 5*

*Fig. 6*



*Fig. 7*

