



US00D868193S

(12) **United States Design Patent** (10) **Patent No.:** **US D868,193 S**  
**Ozanne** (45) **Date of Patent:** **\*\* Nov. 26, 2019**

(54) **CROSSBOW ARROW RETAINER**  
(71) Applicant: **MCP IP, LLC**, Sparta, WI (US)  
(72) Inventor: **Jeffrey A. Ozanne**, Sparta, WI (US)  
(73) Assignee: **MCP IP, LLC**, Sparta, WI (US)  
(\*\*) Term: **15 Years**

9,423,203 B2 \* 8/2016 Simonds ..... F41B 5/123  
9,500,433 B2 \* 11/2016 McPherson ..... F41B 5/1403  
D775,300 S \* 12/2016 Barnett ..... D22/107  
9,557,134 B1 1/2017 Yehle  
D819,159 S \* 5/2018 Leis ..... D22/107  
2009/0194086 A1 8/2009 Kempf  
2015/0040883 A1 \* 2/2015 McPherson ..... F41B 5/1469  
124/88  
2017/0131058 A1 \* 5/2017 McPherson ..... F41B 5/123  
2017/0343313 A1 \* 11/2017 Ozanne ..... F41B 5/1469

(21) Appl. No.: **29/631,298**  
(22) Filed: **Dec. 28, 2017**  
(51) **LOC (12) Cl.** ..... **22-01**  
(52) **U.S. Cl.**  
USPC ..... **D22/107; D21/571**  
(58) **Field of Classification Search**  
USPC ..... D21/301, 304, 567, 570, 571, 573, 574,  
D21/575, 746; D22/100, 101, 102, 103,  
D22/106, 107, 108, 109, 110, 111, 112,  
D22/115, 116, 199  
CPC ..... F41A 3/26; F41A 3/12; F41A 5/02; F41A  
17/22; F41B 5/143; F41B 5/14; F41B  
5/066; F41B 7/08; F41B 5/1446; F41B  
5/148; F41B 5/1465; F42B 6/04; F42B  
6/08; F42B 6/02; F42B 6/06; F42B  
12/362; F41C 23/16; F41C 27/00; F41C  
7/00; F41G 11/003; F41G 11/001; F41G  
11/004; F41G 11/005; A63H 5/04  
See application file for complete search history.

**OTHER PUBLICATIONS**

“Mission SUB-1 Crossbow at LancasterArchery.com” [online].  
Lancaster Archery Supply. [Published on Oct. 3, 2017]. Retrieved  
from the Internet: < <https://www.youtube.com/watch?v=1WPcrIXRwS4>>.\*

\* cited by examiner

*Primary Examiner* — Khawaja Anwar  
*Assistant Examiner* — Mojtaba Tehrani

(57) **CLAIM**

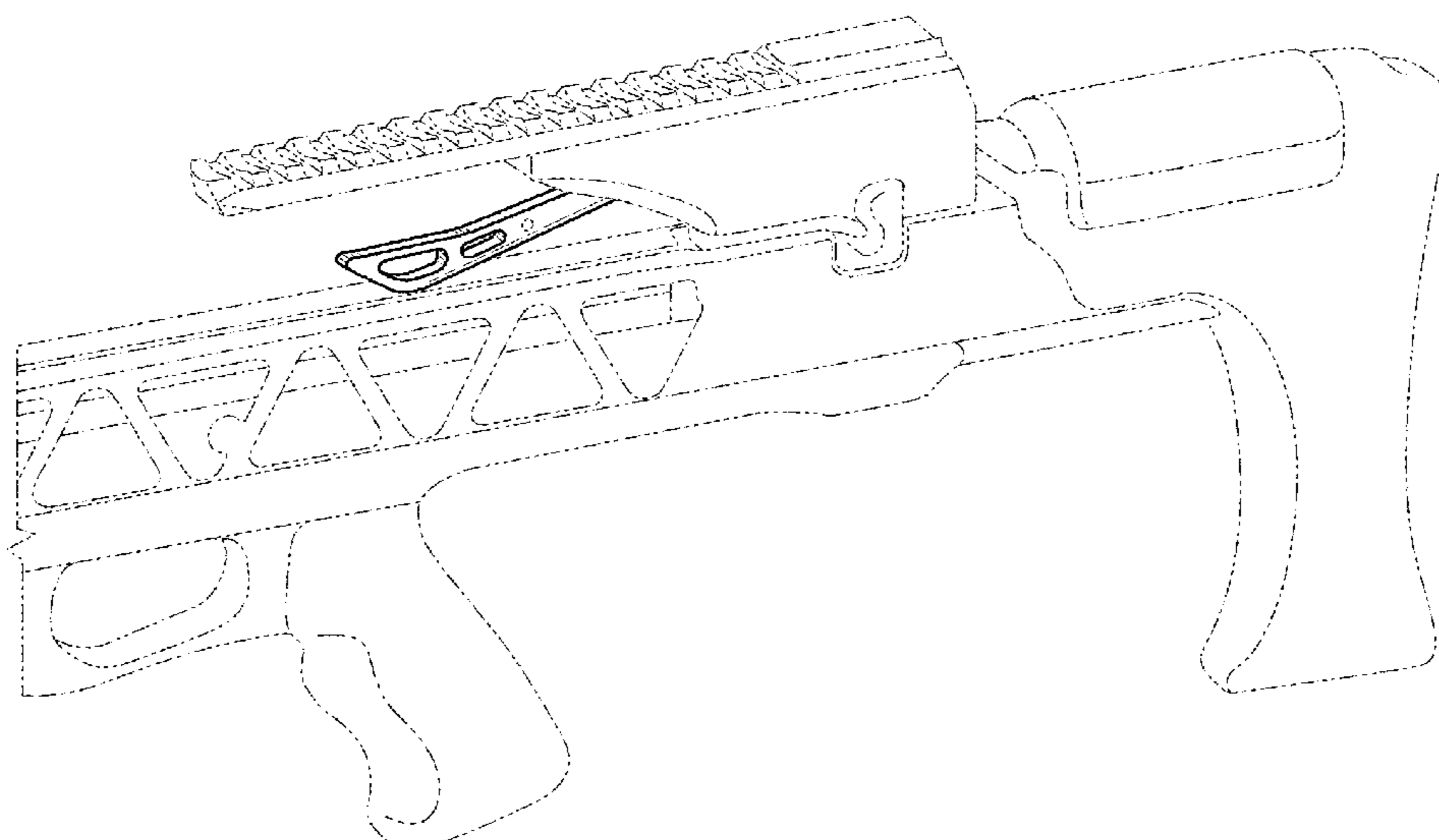
The ornamental design for a crossbow arrow retainer, as  
shown and described.

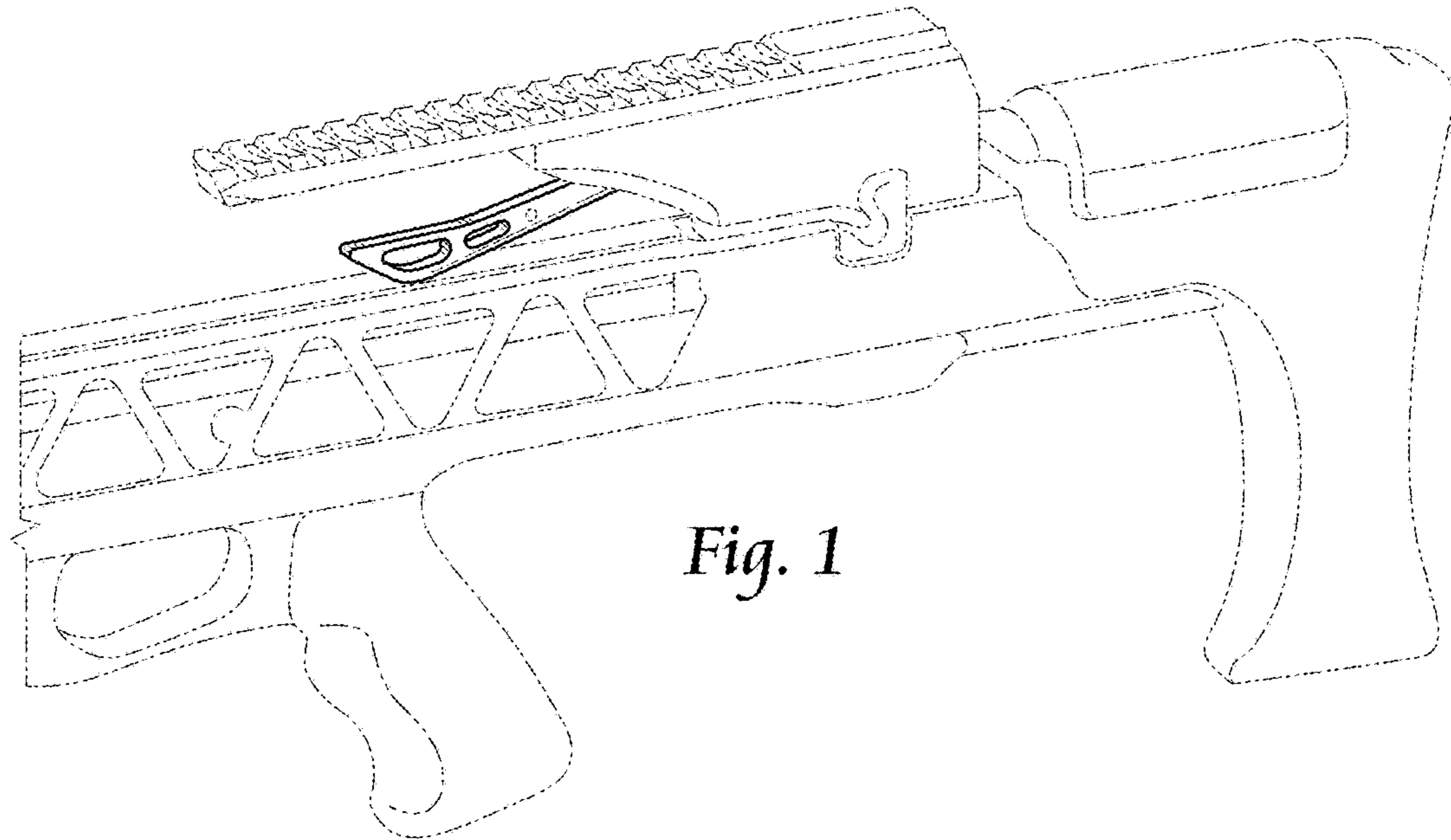
**DESCRIPTION**

FIG. 1 is a top perspective view of a crossbow arrow  
retainer, showing my new design;  
FIG. 2 is a top plan view thereof;  
FIG. 3 is a bottom plan view thereof;  
FIG. 4 is a front elevation view thereof;  
FIG. 5 is a back elevation view thereof;  
FIG. 6 is a left side elevation view thereof; and,  
FIG. 7 is a right side elevation view thereof.  
The broken lines in the Figures represent environmental  
structure or unclaimed portions of the device and are for  
illustrative purposes only. The broken lines form no portion  
of the claimed design.

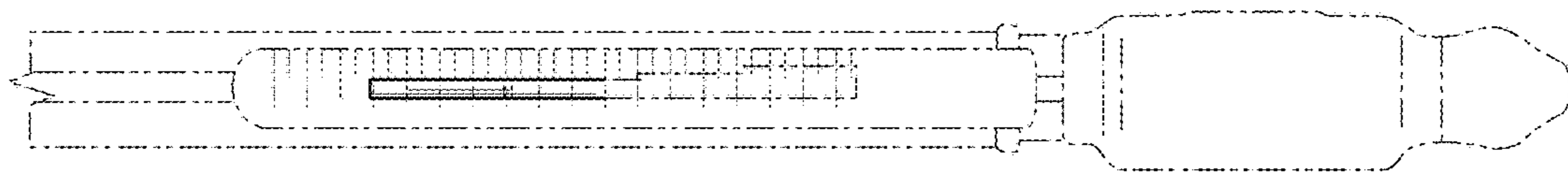
(56) **References Cited**  
**U.S. PATENT DOCUMENTS**  
6,802,304 B1 10/2004 Chang  
8,857,420 B2 10/2014 Grace  
D718,831 S \* 12/2014 Barnett ..... D22/107  
8,991,375 B2 \* 3/2015 McPherson ..... F41B 5/123  
124/25  
9,022,013 B2 \* 5/2015 Trpkovski ..... F41B 5/10  
124/25  
9,255,755 B1 2/2016 Barnett

**1 Claim, 2 Drawing Sheets**

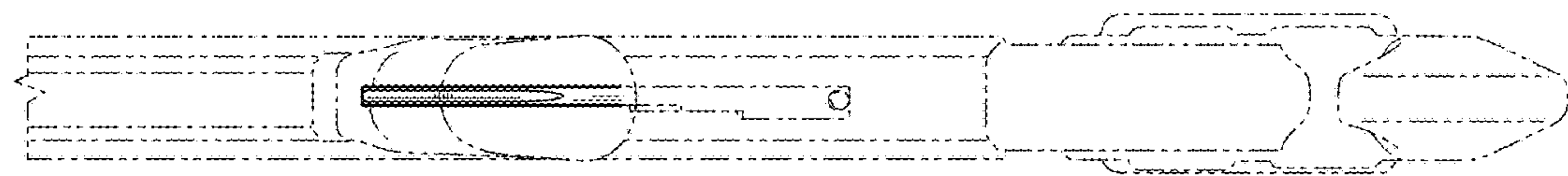




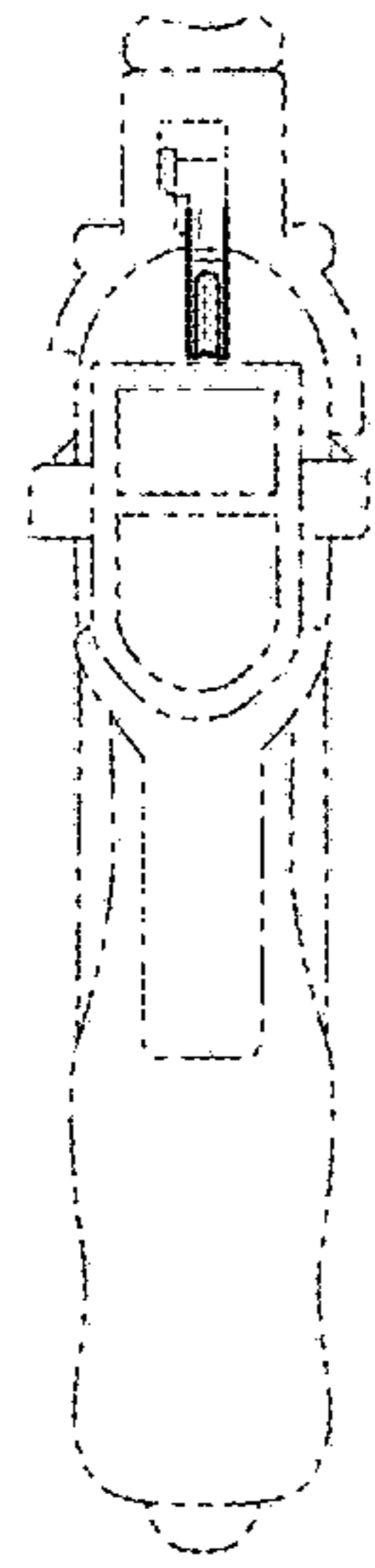
*Fig. 1*



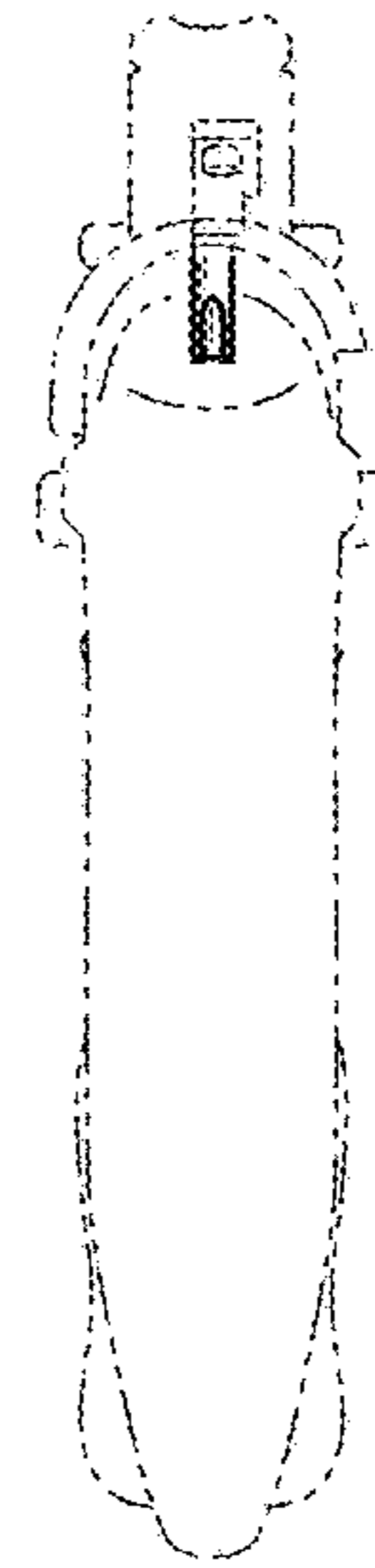
*Fig. 2*



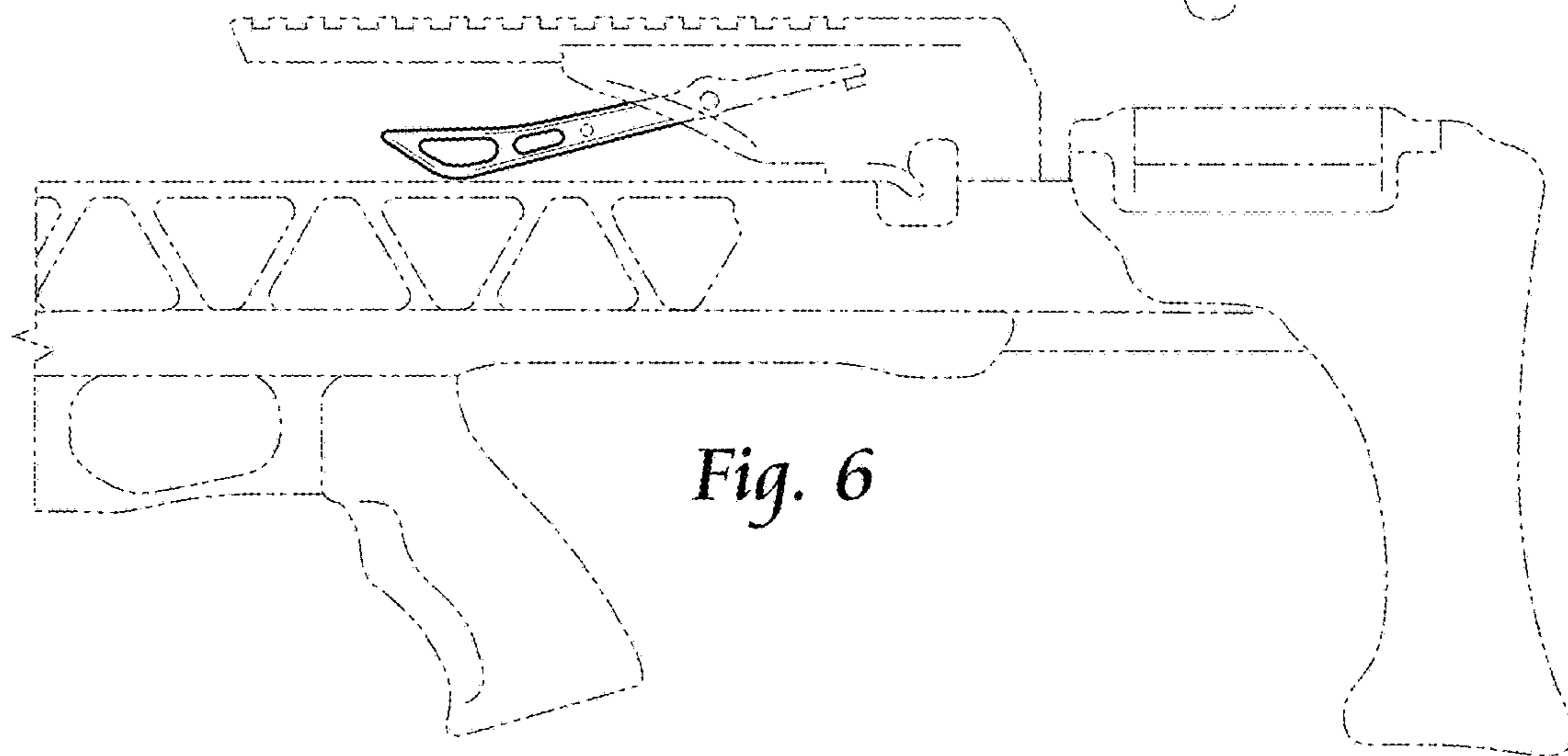
*Fig. 3*



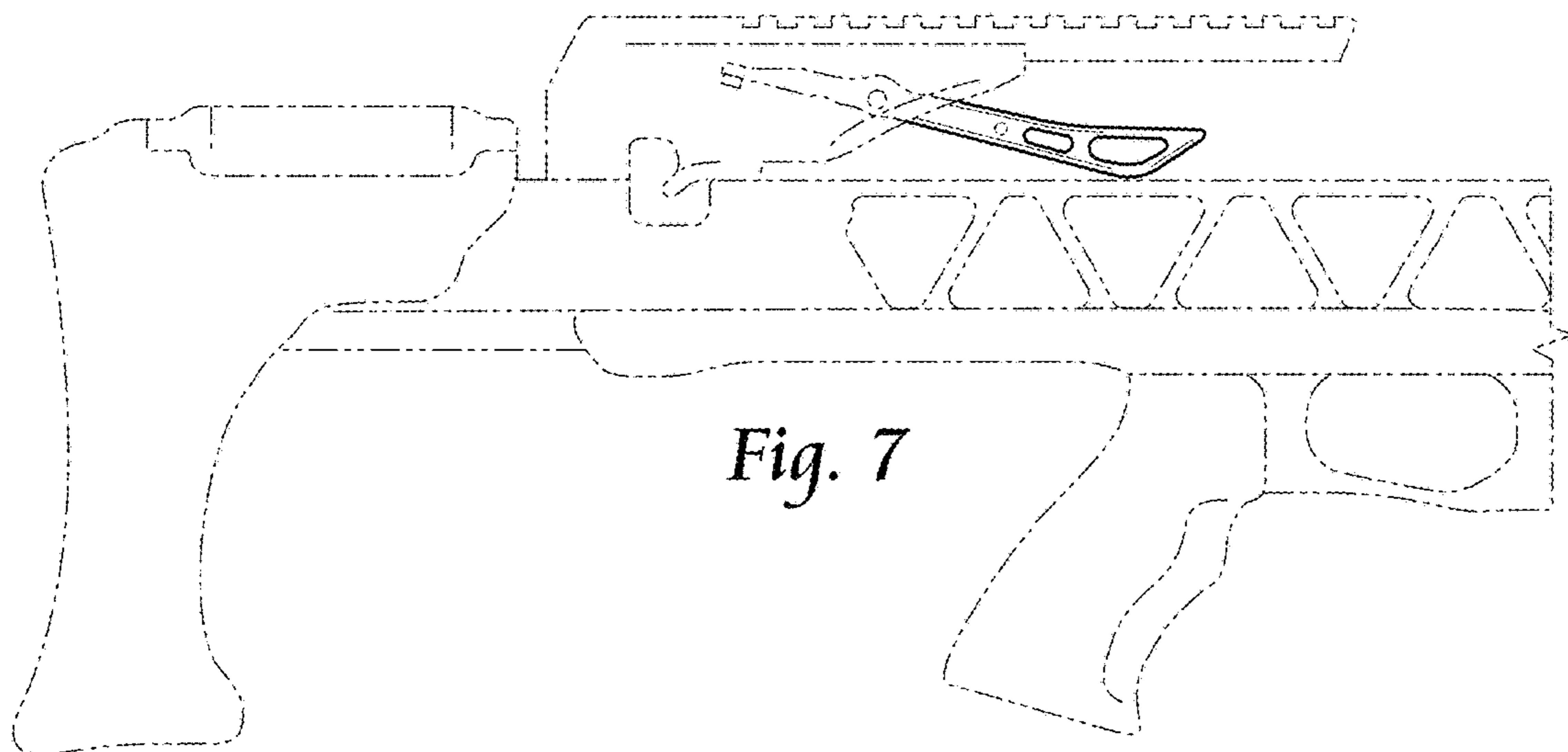
*Fig. 4*



*Fig. 5*



*Fig. 6*



*Fig. 7*