

US00D868192S

(12) **United States Design Patent**  
**Martelli**

(10) **Patent No.:** **US D868,192 S**

(45) **Date of Patent:** **\*\* Nov. 26, 2019**

(54) **GUN**

D849,171 S \* 5/2019 O'Clair ..... D22/104  
D849,172 S \* 5/2019 Curry ..... D22/104  
D849,173 S \* 5/2019 Curry ..... D22/104

(71) Applicant: **FABBRICA D'ARMI PIETRO BERETTA S.P.A.**, Gardone Val Trompia (IT)

(72) Inventor: **Marco Martelli**, Brescia (IT)

(73) Assignee: **Fabbrica D'Armi Pietro Beretta**, Gardone Val Trompia (BS) (IT)

(\*\*) Term: **15 Years**

(21) Appl. No.: **35/506,001**

(22) Filed: **May 30, 2018**

(80) **Hague Agreement Data**

Int. Filing Date: **May 30, 2018**

Int. Reg. No.: **DM/103335**

Int. Reg. Date: **May 30, 2018**

Int. Reg. Pub. Date: **Nov. 9, 2018**

(51) **LOC (12) Cl.** ..... **22-01**

(52) **U.S. Cl.**  
USPC ..... **D22/104**

(58) **Field of Classification Search**  
USPC ..... D22/104; D21/573-574  
CPC ..... F41C 3/14; F41C 3/16; F41C 3/04  
See application file for complete search history.

(56) **References Cited**

**U.S. PATENT DOCUMENTS**

D755,324 S \* 5/2016 Martelli ..... D22/104  
D814,592 S \* 4/2018 Curry ..... D22/104  
D814,593 S \* 4/2018 O'Clair ..... D22/104  
D814,596 S \* 4/2018 Curry ..... D22/108  
D815,233 S \* 4/2018 Toner ..... D22/104

**OTHER PUBLICATIONS**

<https://www.tactical-life.com/firearms/handguns/beretta-apx/>[Jul. 15, 2019 11:56:42 AM] (Year: 2017).\*

<https://www.thefirearmblog.com/blog/2016/09/21/breaking-beretta-apx-striker-fired-pistol-reaches-civilian-market-argentina/>[Jul. 15, 2019 11:57:49 AM] (Year: 2016).\*

<http://www.defensereview.com/hands-on-with-beretta-apx-polymer-frame-striker-fired-semi-auto-9mm-40-sw-combattactical-pistol-prototype-initial-impressions-photos/>[Jul. 15, 2019 12:00:27 PM] (Year: 2015).\*

\* cited by examiner

*Primary Examiner* — Michael A. Pratt

(74) *Attorney, Agent, or Firm* — Thomas|Horstemeyer, LLP

(57) **CLAIM**

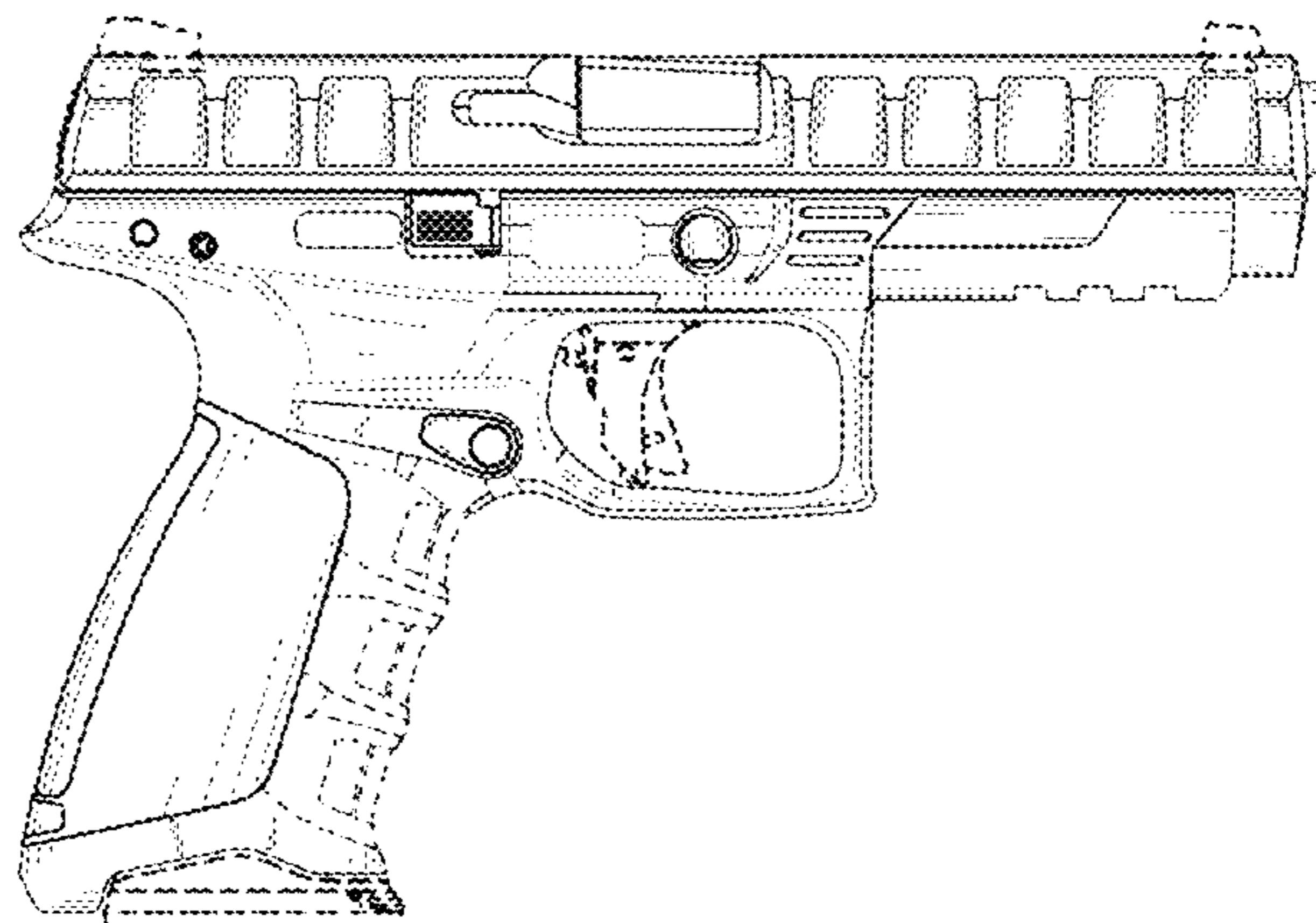
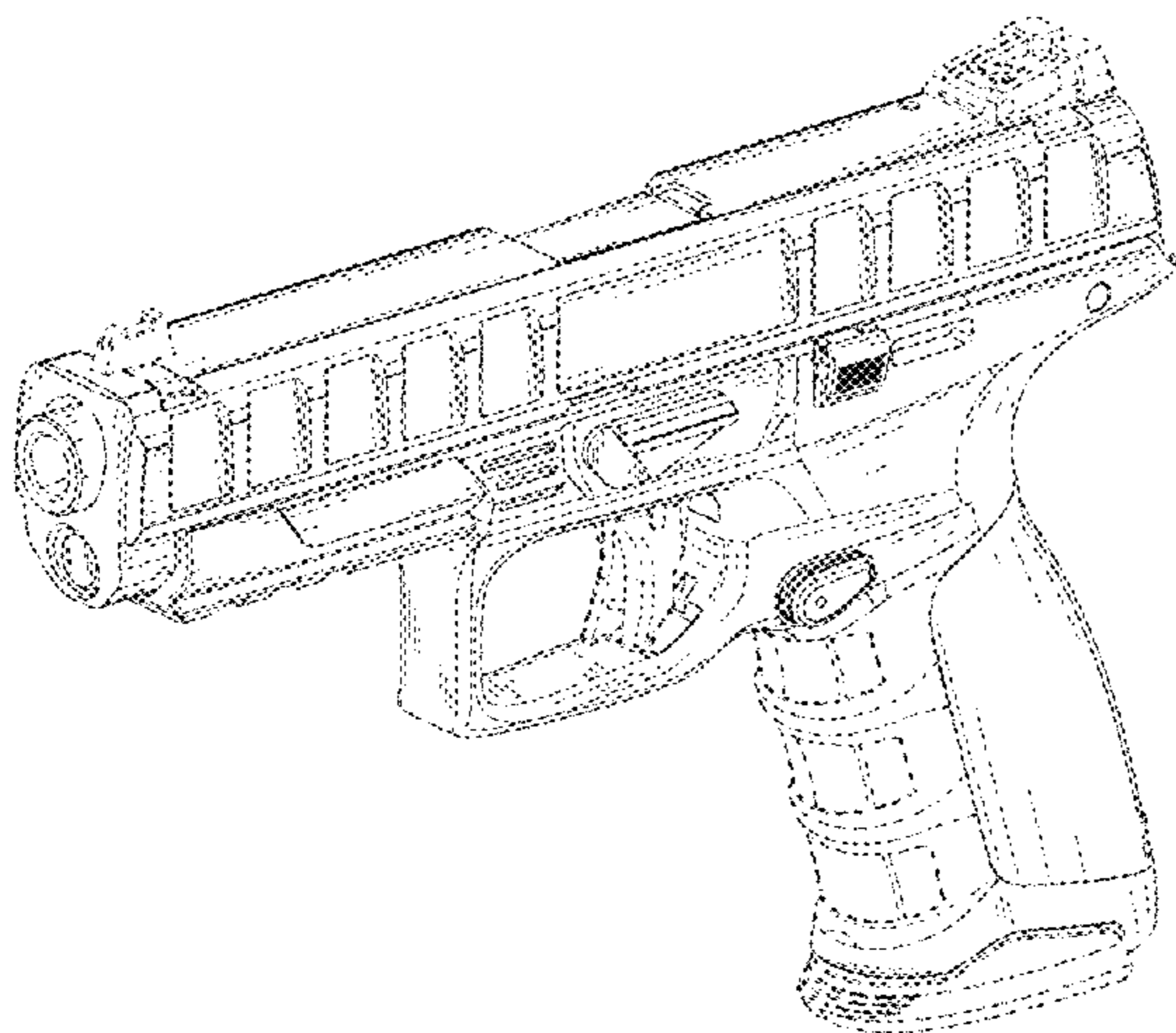
The ornamental design for gun, as shown and described.

**DESCRIPTION**

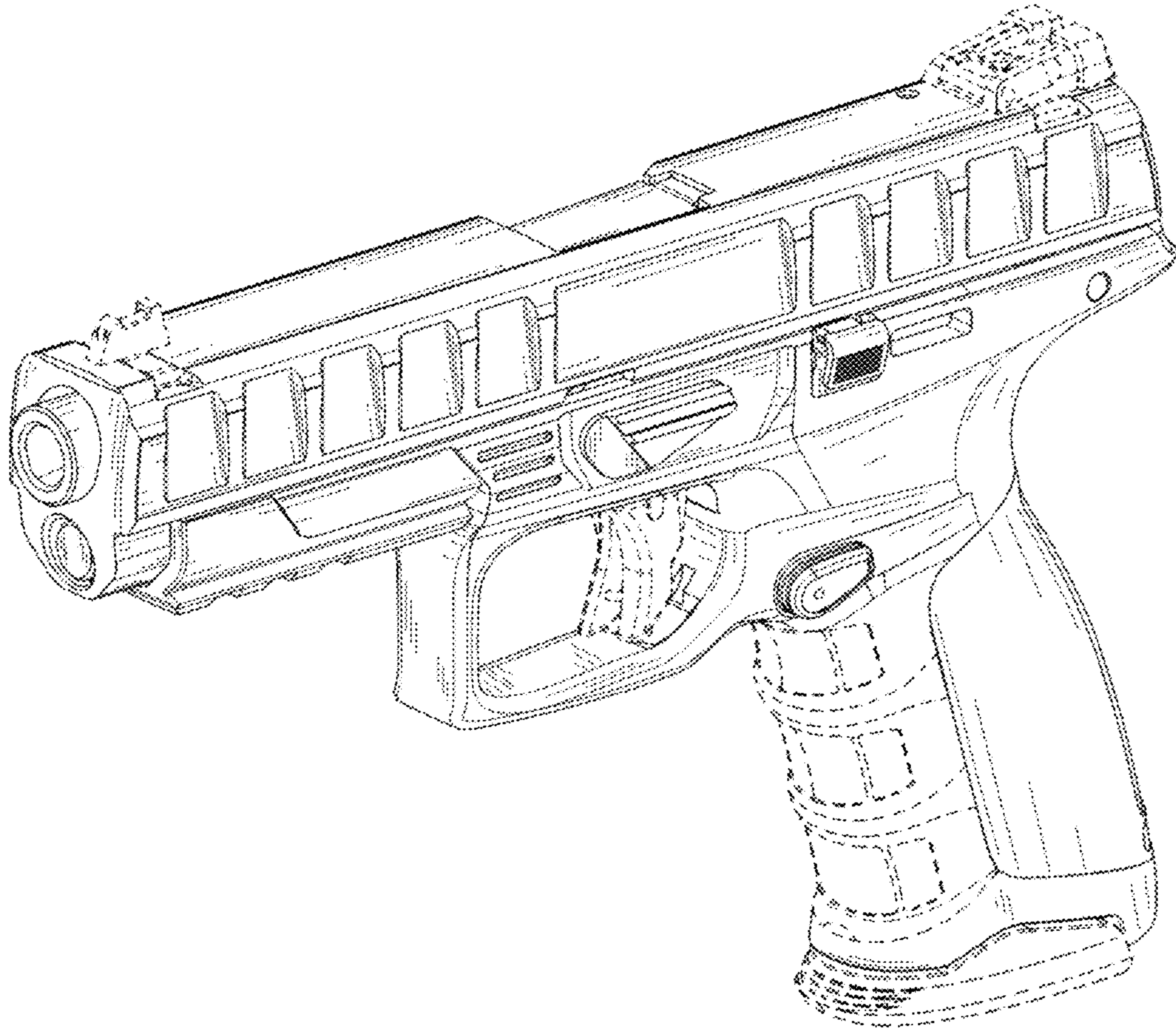
- 1. Gun
- 1.1: Perspective
- 1.2: Left
- 1.3: Right
- 1.4: Top
- 1.5: Rear

The model regards a gun; fig. 1.1 is a perspective view of the model; fig. 1.2 is a left side view thereof; fig. 1.3 is a right side view thereof; fig. 1.4 is a top view thereof; fig. 1.5 is a rear view thereof; the parts of the gun shown in broken lines are for illustrative purposes only and form no part of the claimed design.

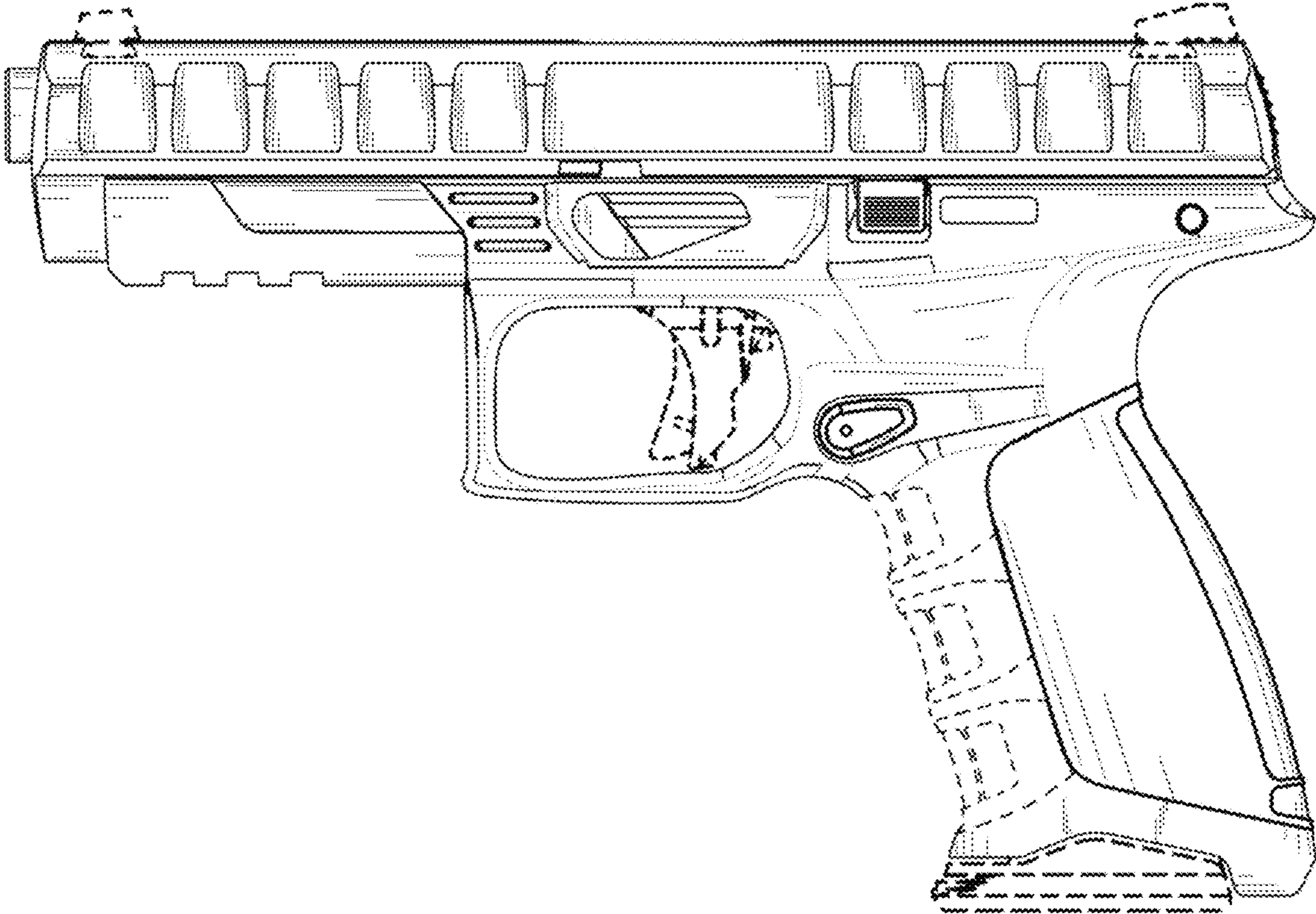
**1 Claim, 5 Drawing Sheets**



1.1

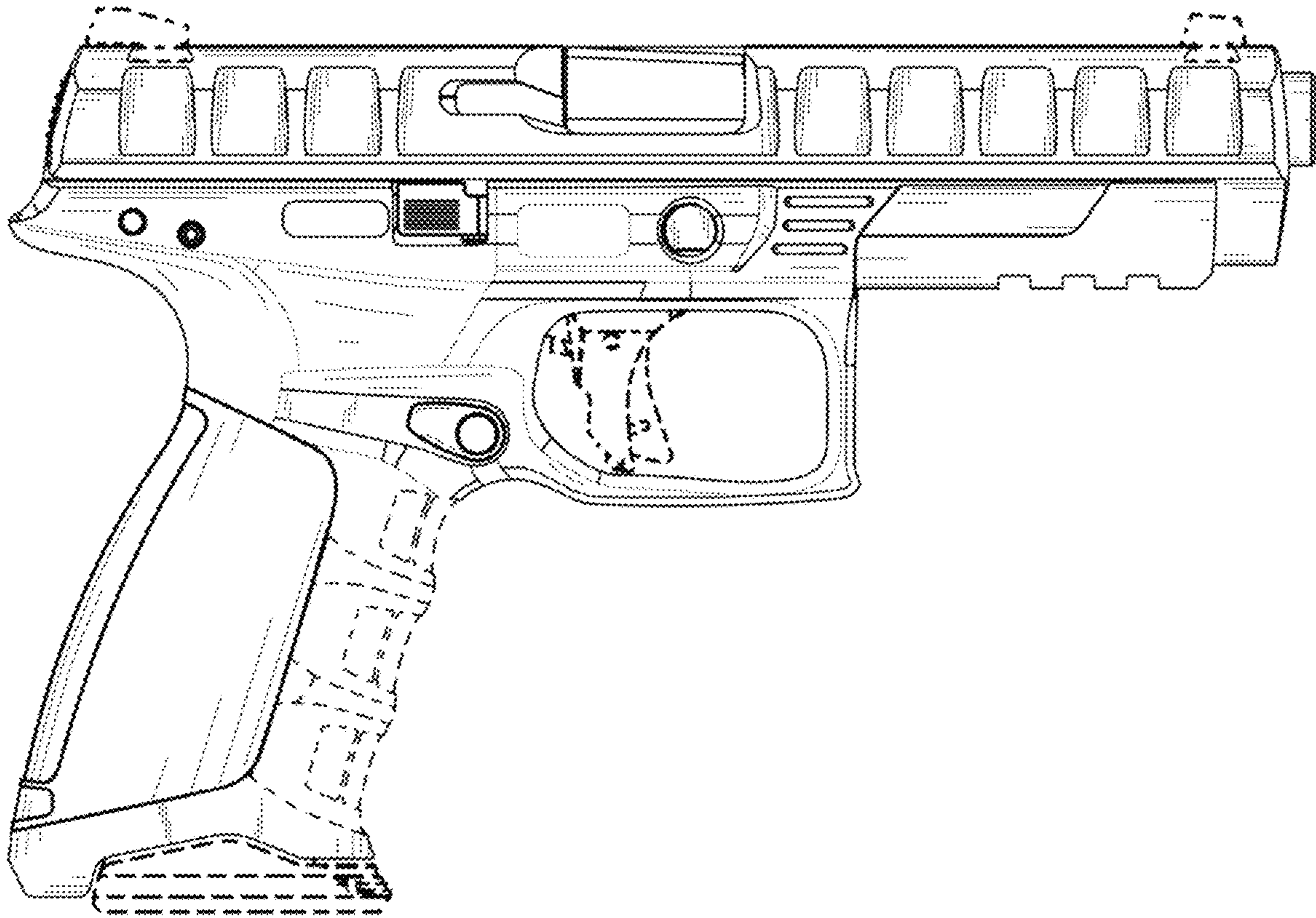


1.2

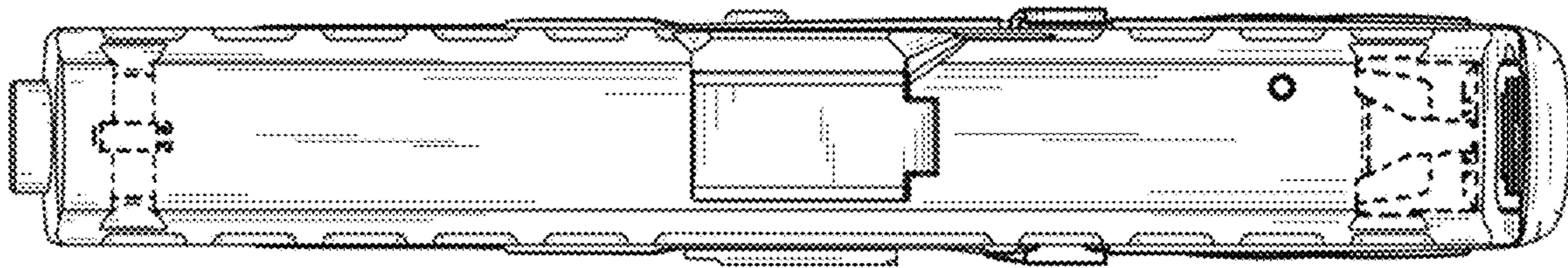




1.3



1.4



1.5

