



US00D868191S

(12) **United States Design Patent**
Martelli

(10) **Patent No.:** **US D868,191 S**

(45) **Date of Patent:** **** Nov. 26, 2019**

(54) **GUN**

(71) Applicant: **FABBRICA D'ARMI PIETRO BERETTA S.P.A.**, Gardone Val Trompia (IT)

(72) Inventor: **Marco Martelli**, Brescia (IT)

(73) Assignee: **Fabbrica D'Armi Pietro Beretta**, Gardone Val Trompia (BS) (IT)

(**) Term: **15 Years**

(21) Appl. No.: **35/505,979**

(22) Filed: **May 30, 2018**

(80) **Hague Agreement Data**

Int. Filing Date: **May 30, 2018**
Int. Reg. No.: **DM/103334**
Int. Reg. Date: **May 30, 2018**
Int. Reg. Pub. Date: **Nov. 9, 2018**

(51) **LOC (12) Cl.** **22-01**

(52) **U.S. Cl.**
USPC **D22/104**

(58) **Field of Classification Search**
USPC D22/104; D21/573-574
CPC F41C 3/14; F41C 3/16; F41C 3/04
See application file for complete search history.

(56) **References Cited**

U.S. PATENT DOCUMENTS

D755,324 S * 5/2016 Martelli D22/104
D814,592 S * 4/2018 Curry D22/104
D814,593 S * 4/2018 O'Clair D22/104
D814,596 S * 4/2018 Curry D22/108
D815,233 S * 4/2018 Toner D22/104

D849,171 S * 5/2019 O'Clair D22/104
D849,172 S * 5/2019 Curry D22/104
D849,173 S * 5/2019 Curry D22/104

OTHER PUBLICATIONS

<http://www.defensereview.com/hands-on-with-beretta-apx-polymer-frame-striker-fired-semi-auto-9mm-40-sw-combattactical-pistol-prototype-initial-impressions-photos/>[Jul. 15, 2019 12:00:27 PM] (Year: 2015).*
<https://www.tactical-life.com/firearms/handguns/beretta-apx/>[Jul. 15, 2019 11:56:42 AM] (Year: 2017).*

* cited by examiner

Primary Examiner — Michael A. Pratt
(74) *Attorney, Agent, or Firm* — Thomas|Horstemeyer, LLP

(57) **CLAIM**

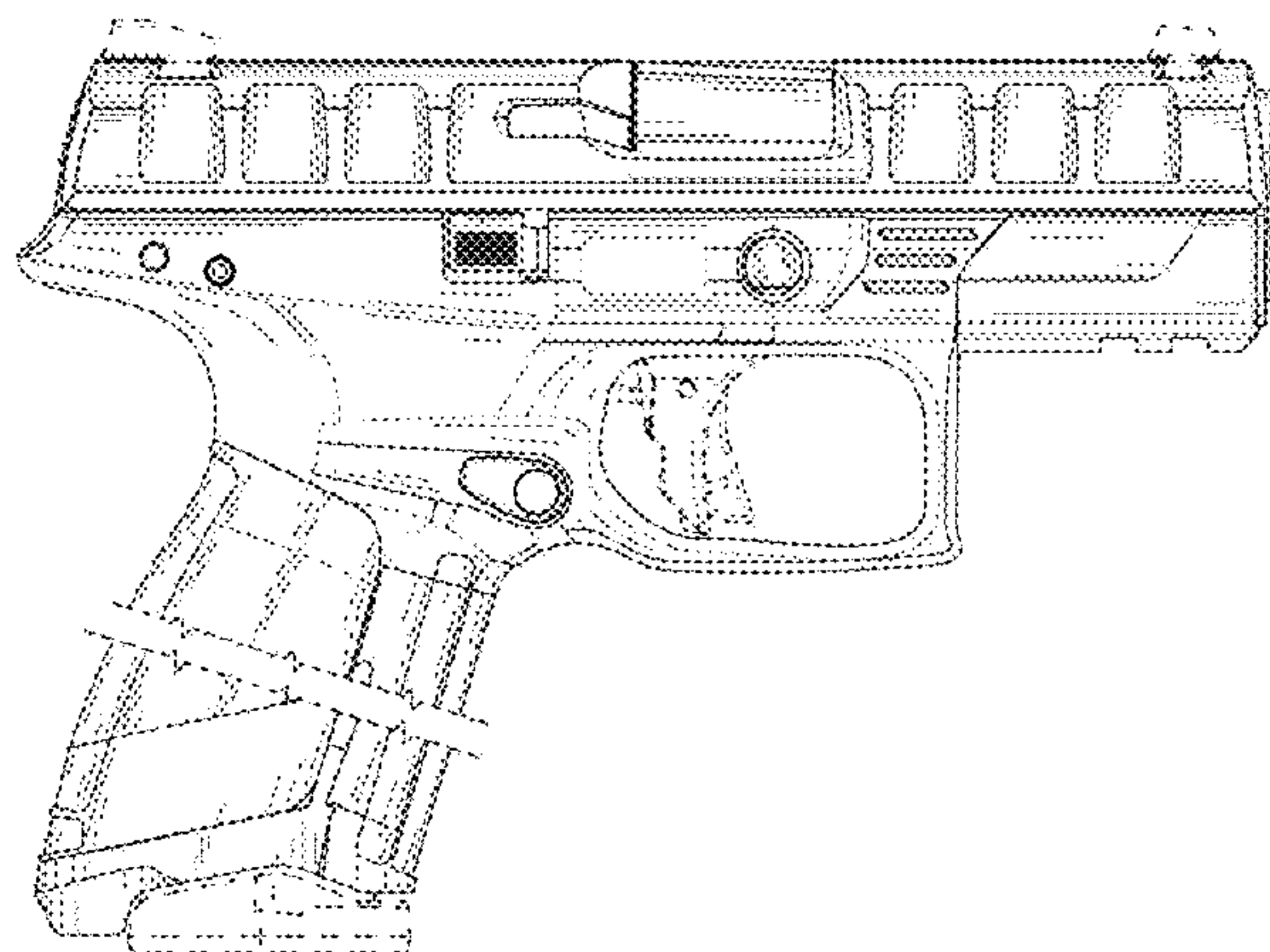
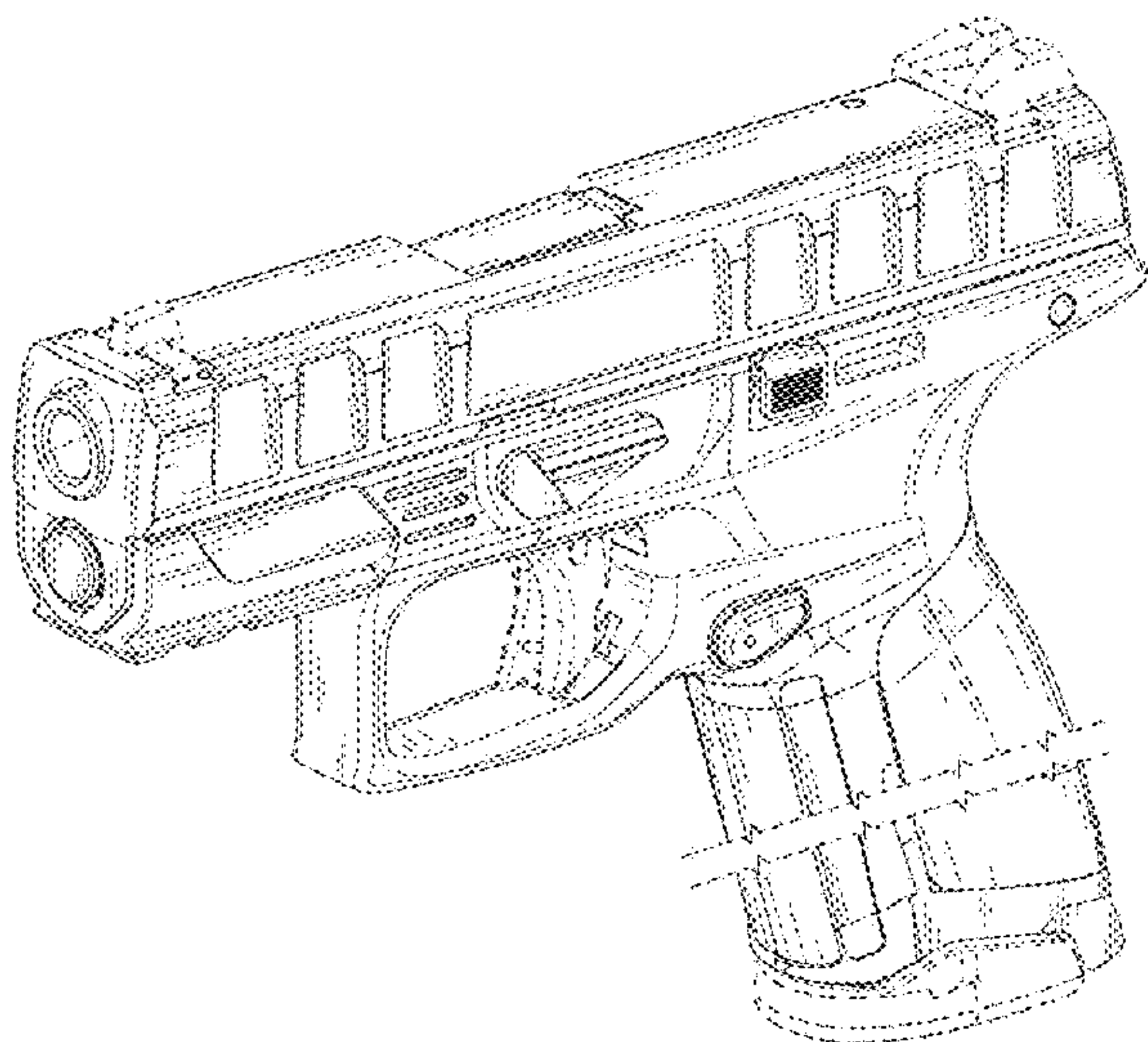
The ornamental design for gun, as shown and described.

DESCRIPTION

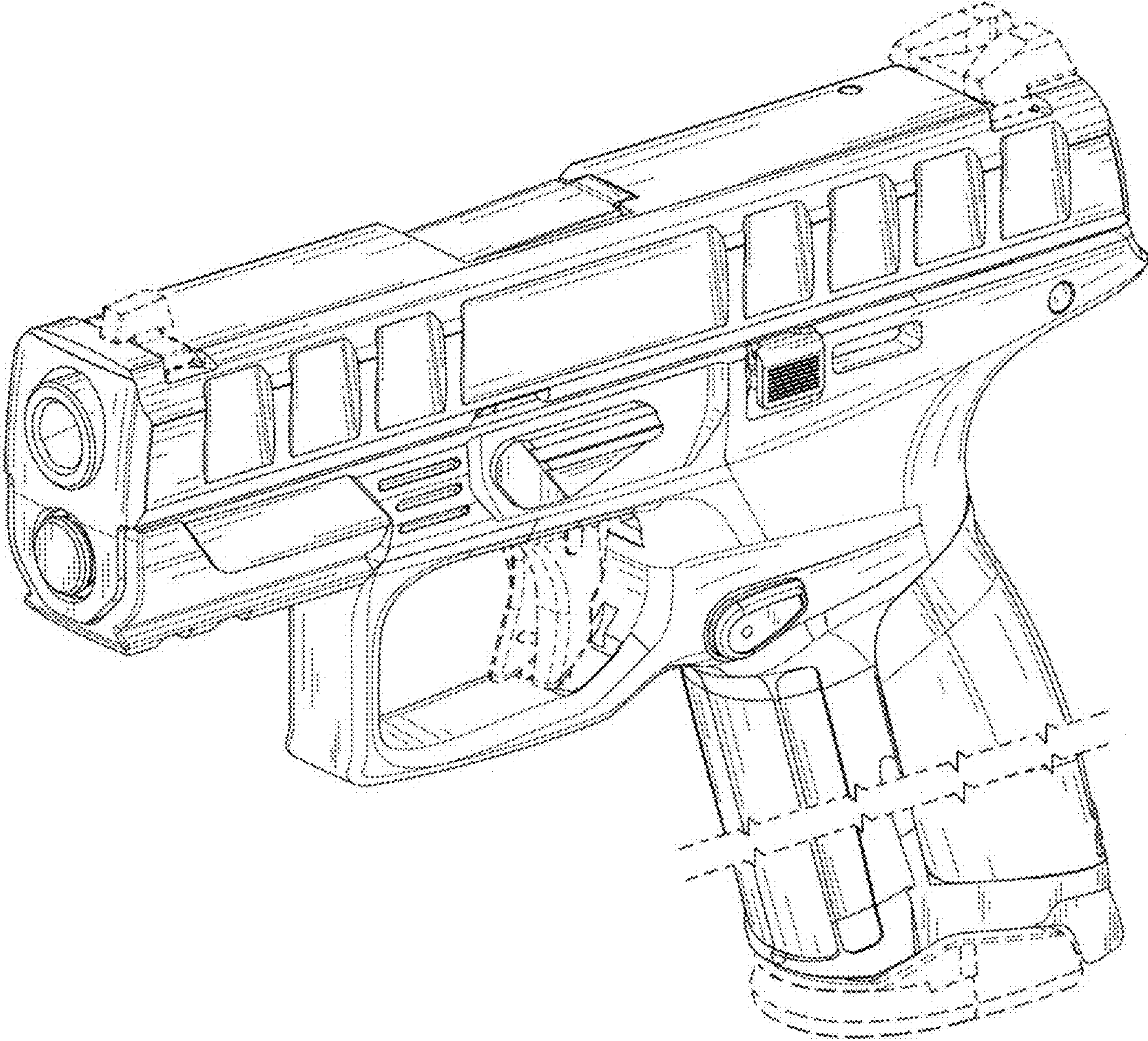
- 1. Gun
- 1.1: Perspective
- 1.2: Left
- 1.3: Right
- 1.4: Top
- 1.5: Rear

The break lines have been applied to the drawings in FIGS. 1.1-1.3 and 1.5 to show undefined length. The appearance of any portion of the gun between the break lines forms no part of the claimed design. The broken lines which appear throughout the drawing disclosure form no part of the claimed design.

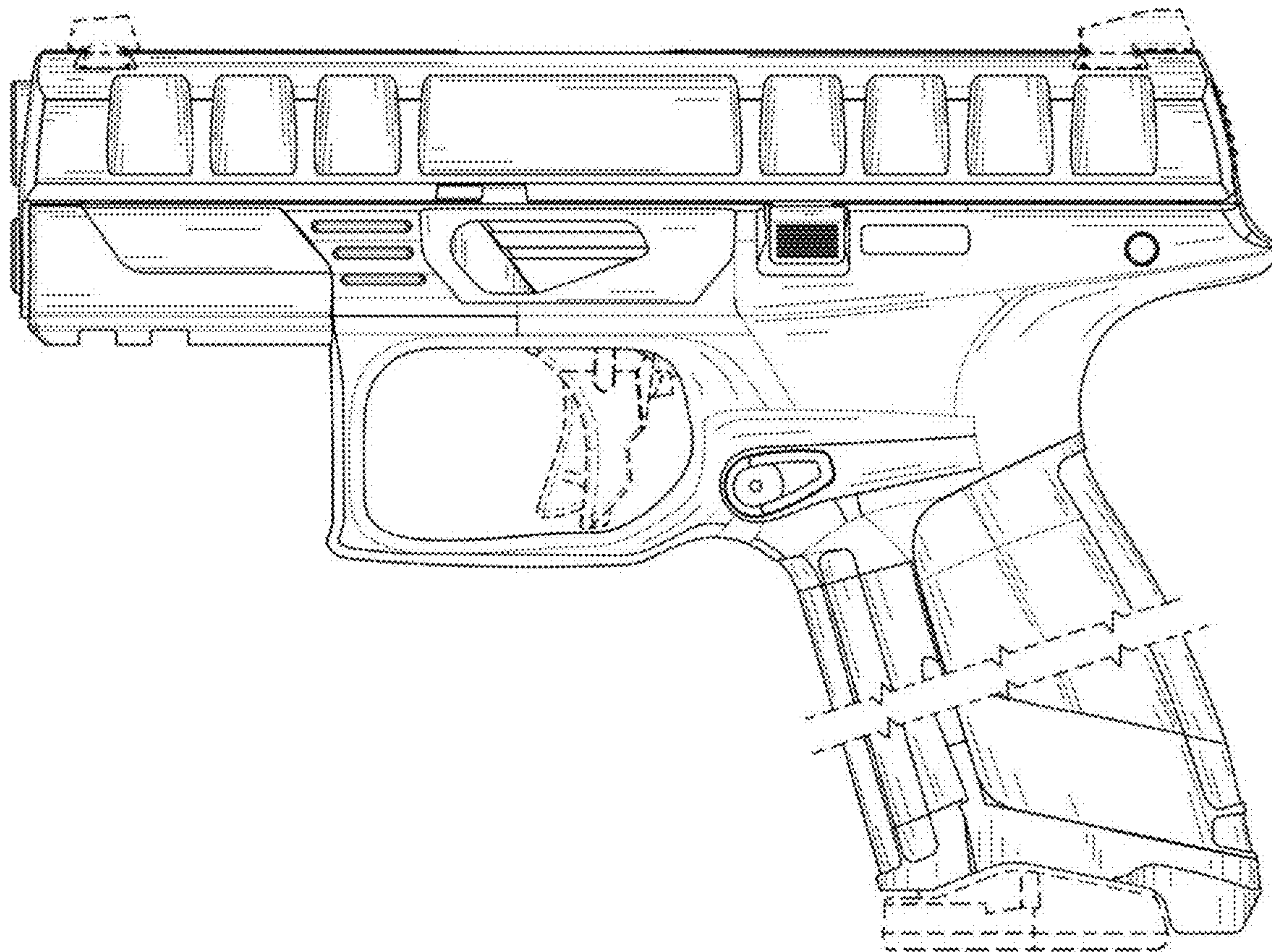
1 Claim, 5 Drawing Sheets



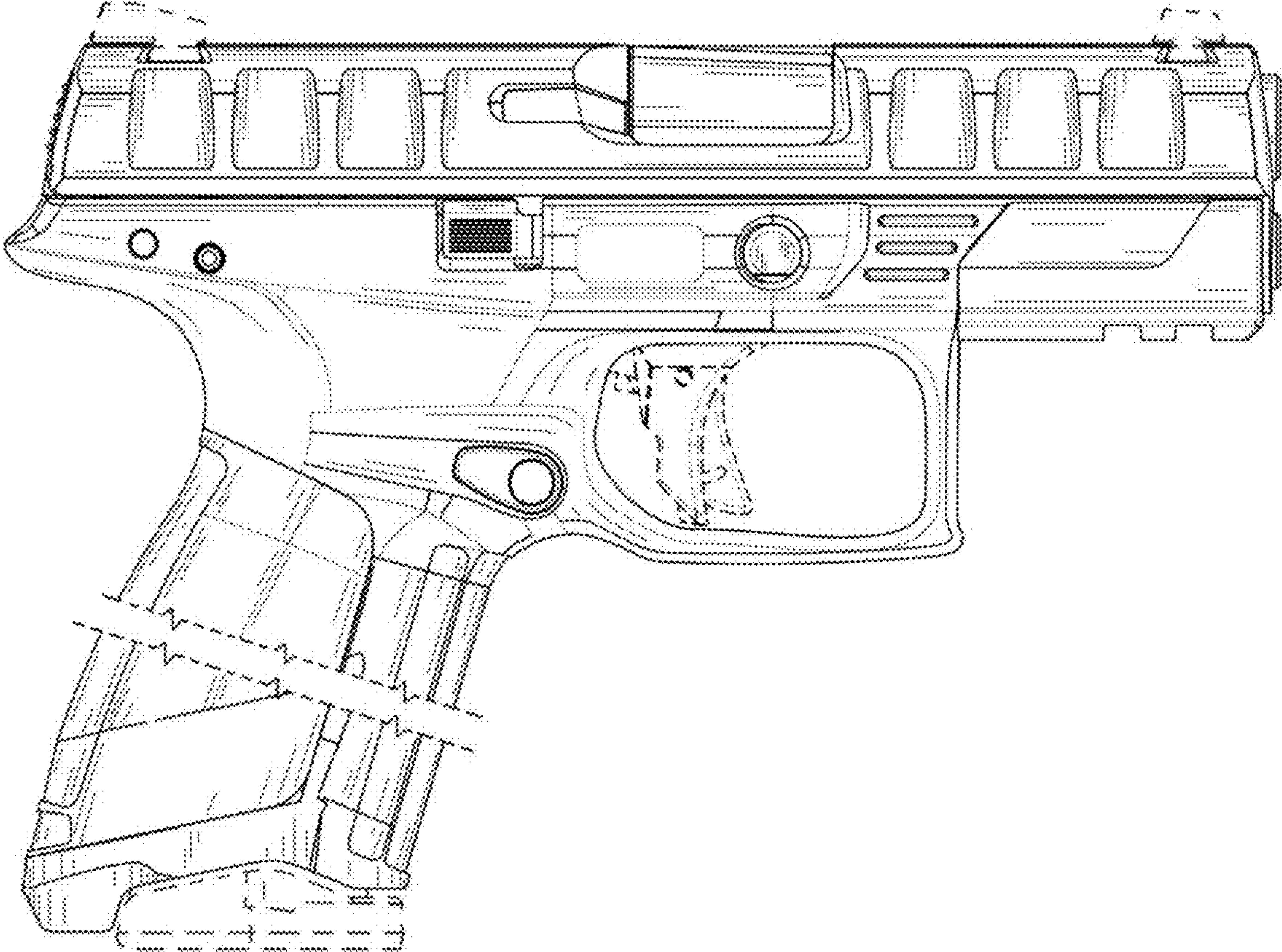
1.1



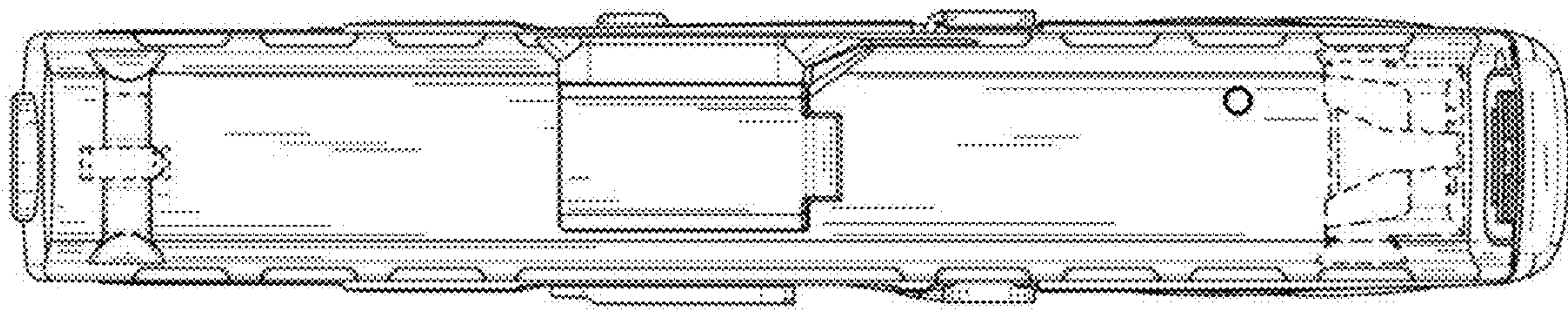
1.2



1.3



1.4



1.5

