



US00D868187S

(12) **United States Design Patent**
Kaufman

(10) **Patent No.:** **US D868,187 S**

(45) **Date of Patent:** **** *Nov. 26, 2019**

(54) **GOLF CLUB FACE ATTACHMENTS FOR IMPROVING BALL CONTACT**

(71) Applicant: **Jacob Kaufman**, West Bloomfield, MI (US)

(72) Inventor: **Jacob Kaufman**, West Bloomfield, MI (US)

(*) Notice: This patent is subject to a terminal disclaimer.

(**) Term: **15 Years**

(21) Appl. No.: **29/629,779**

(22) Filed: **Dec. 15, 2017**

(51) **LOC (12) Cl.** **21-02**

(52) **U.S. Cl.**
USPC **D21/791**; D21/759

(58) **Field of Classification Search**
USPC D21/747-751, 759, 789, 791
CPC A63B 53/00; A63B 53/02; A63B 53/04; A63B 53/047; A63B 53/0475; A63B 2053/0479; A63B 2053/0483; A63B 2053/0445; A63B 2053/0429; A63B 60/00; A63B 60/46; A63B 2053/0416; A63B 2053/042; A63B 2053/0425; A63B 69/36; A63B 69/3632; A63B 69/3638
See application file for complete search history.

(56) **References Cited**

U.S. PATENT DOCUMENTS

D385,324 S * 10/1997 Ubaney D21/759
D583,888 S * 12/2008 Nehrbas D21/759

D602,547 S * 10/2009 Fellows D21/759
D659,213 S * 5/2012 Schultz D21/759
D667,070 S * 9/2012 Balyeat D21/791
8,469,833 B1 * 6/2013 Schultz A63B 53/0487
473/236
D789,469 S * 6/2017 Oyler D21/748
D792,538 S * 7/2017 Oyler D21/747

* cited by examiner

Primary Examiner — Mitchell I. Siegel

(74) *Attorney, Agent, or Firm* — John G. Posa; Belzer PC

(57) **CLAIM**

The ornamental design for golf club face attachments for improving ball contact, as shown and described.

DESCRIPTION

FIG. 1 is an oblique view of a golf club head with a ball-striking face, showing my new design for golf club face attachments for improving ball contact attached to opposing sides of the ball-striking face;

FIG. 2 is a view that shows my new design unattached to a golf club head;

FIG. 3 is a top view of the golf club face attachments for improving ball contact;

FIG. 4 is a first side view of the golf club face attachments for improving ball contact;

FIG. 5 is a second side view of the golf club face attachments for improving ball contact;

FIG. 6 is a bottom view of the golf club face attachments for improving ball contact; and,

FIG. 7 is a back view of the golf club face attachments for improving ball contact showing adhesive surfaces.

Any broken lines in the figures illustrate the portions of the invention that form no part of the claimed design.

1 Claim, 3 Drawing Sheets

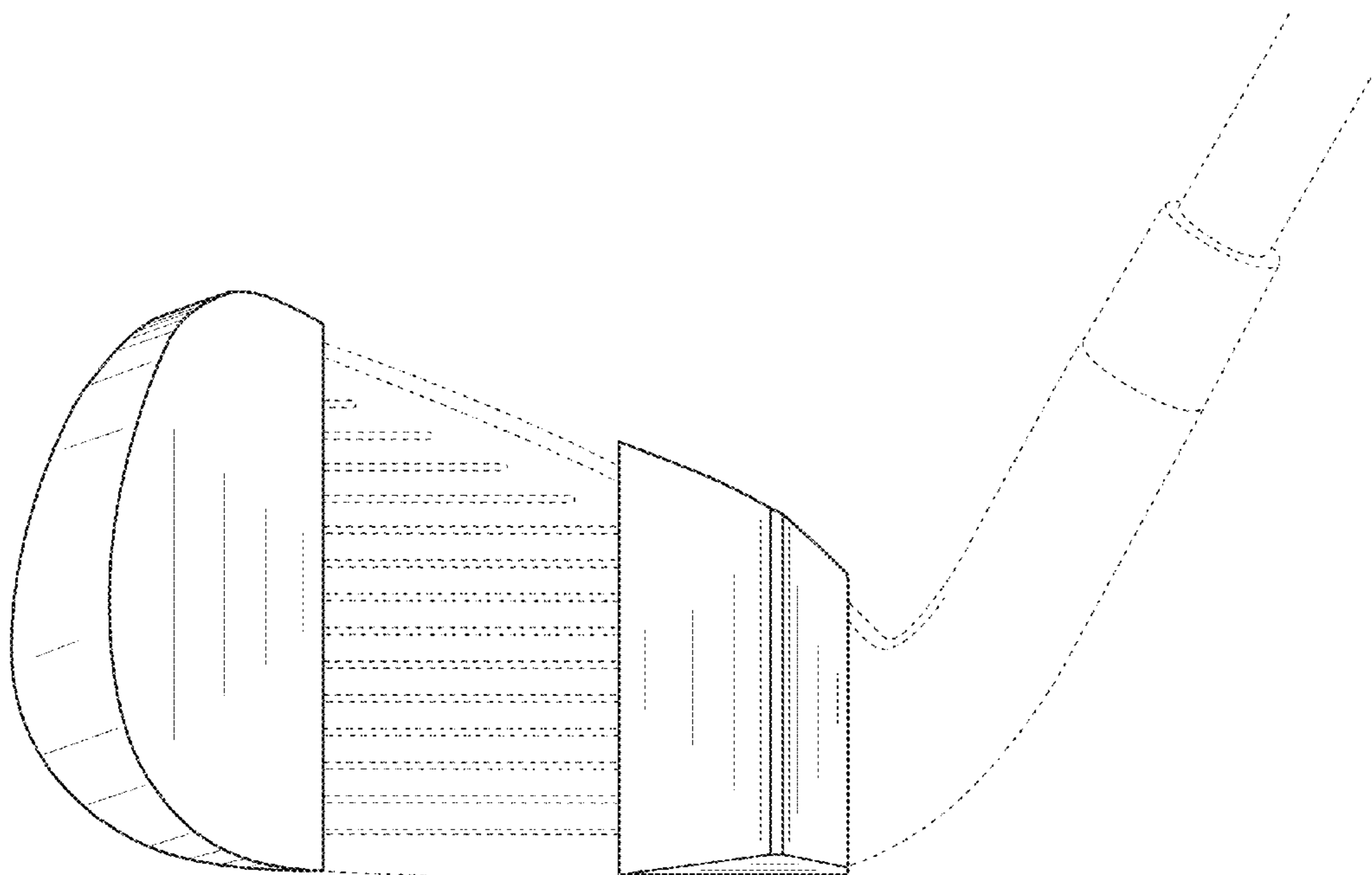


FIG. 1

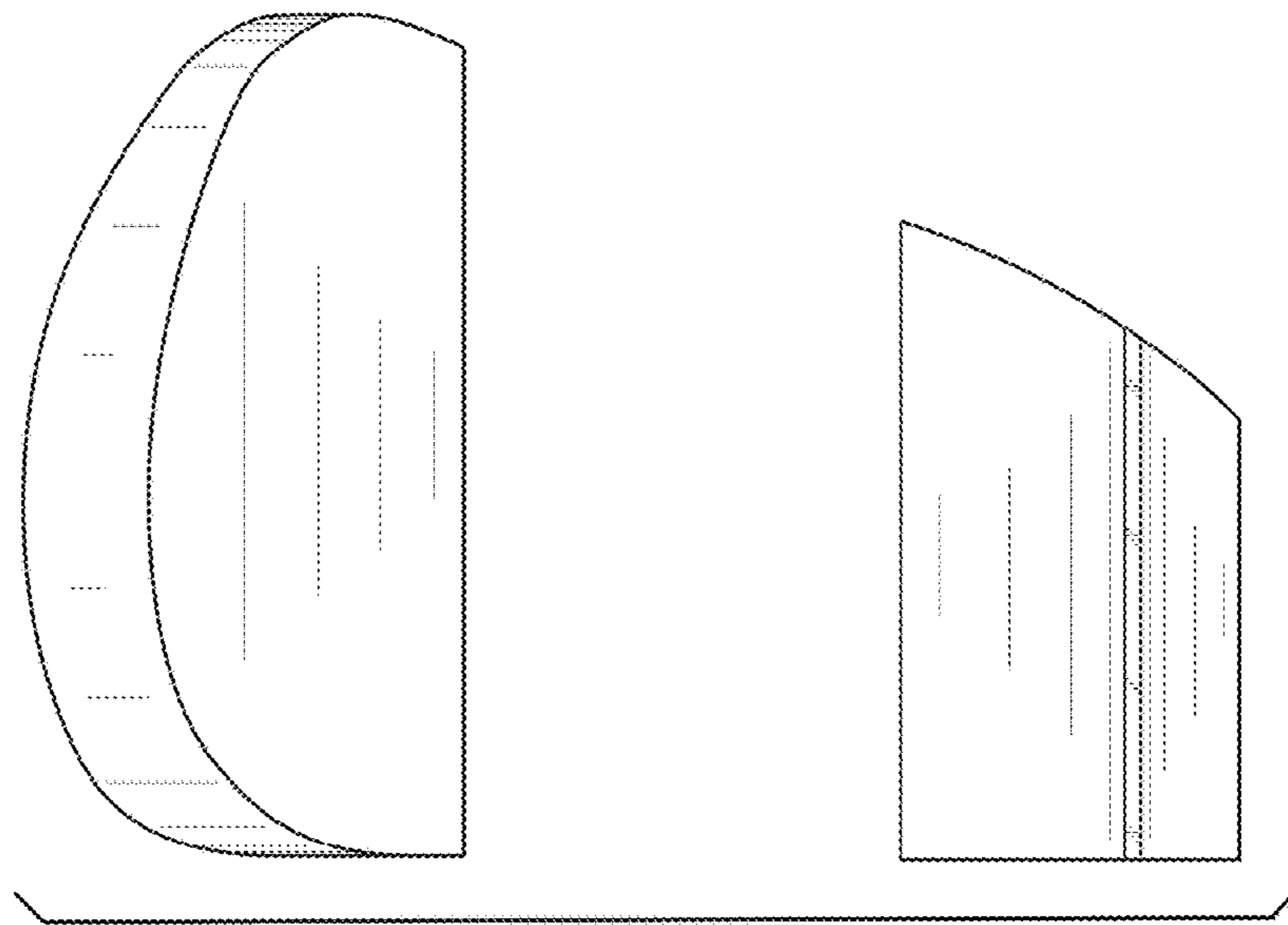
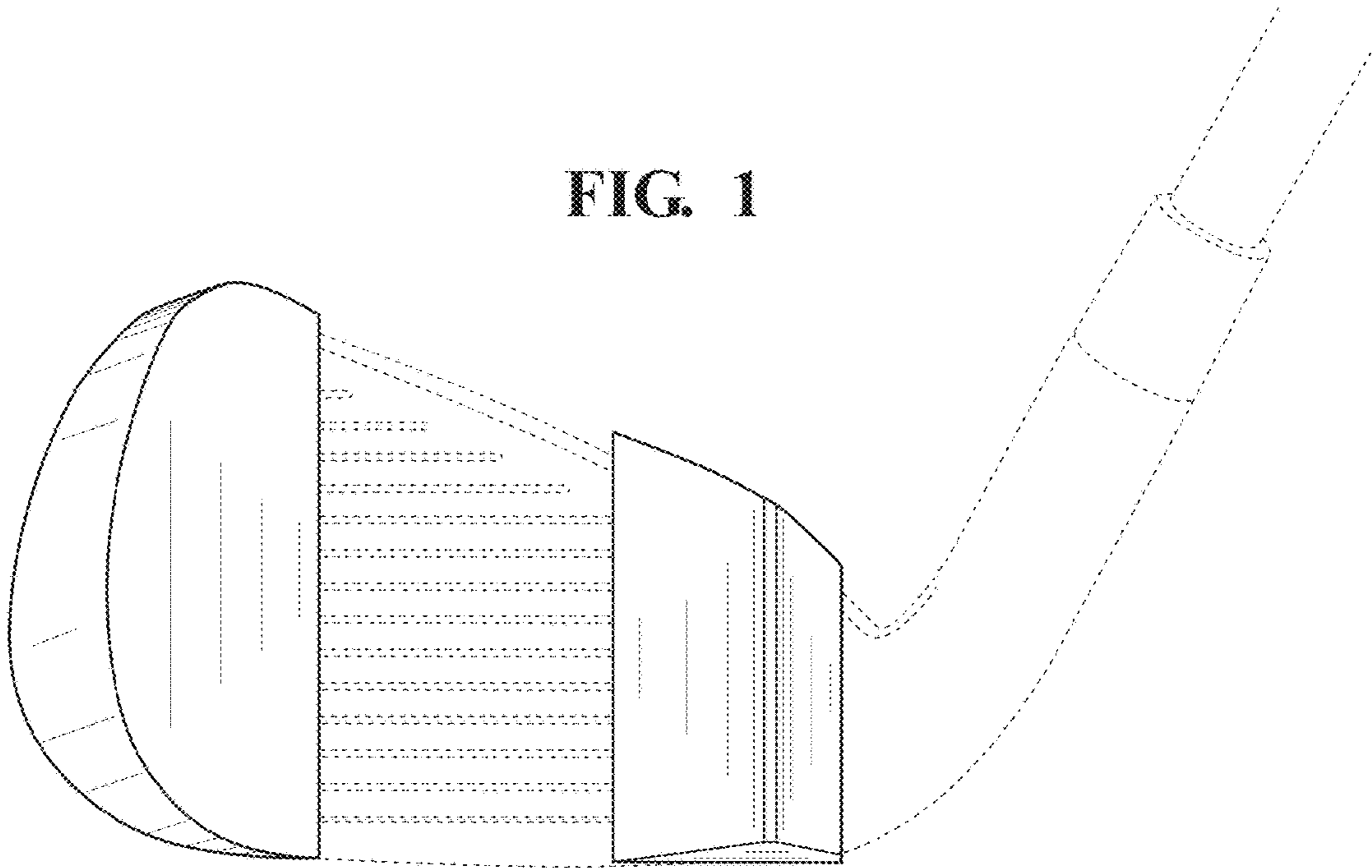


FIG. 2



FIG. 3

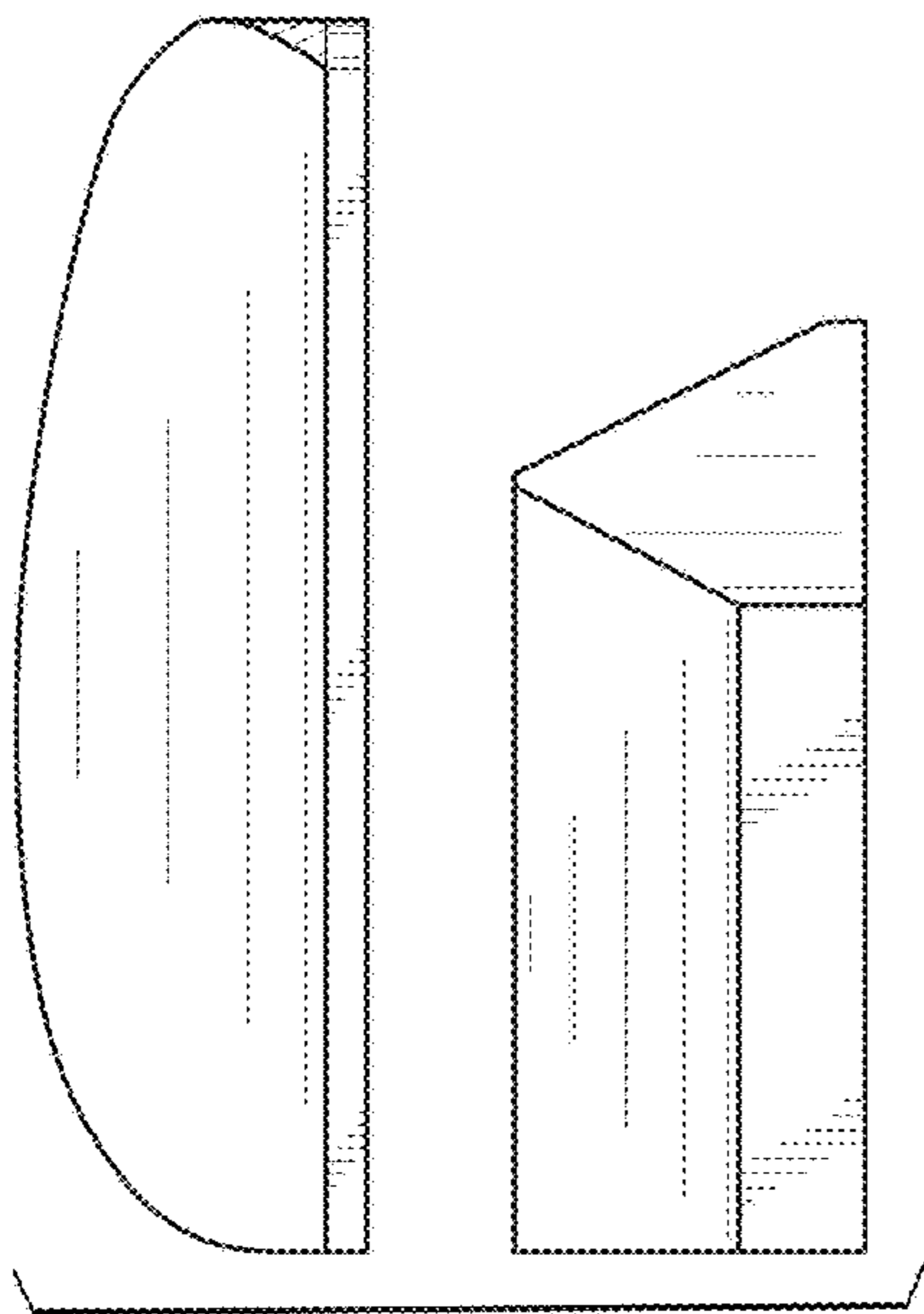


FIG. 4

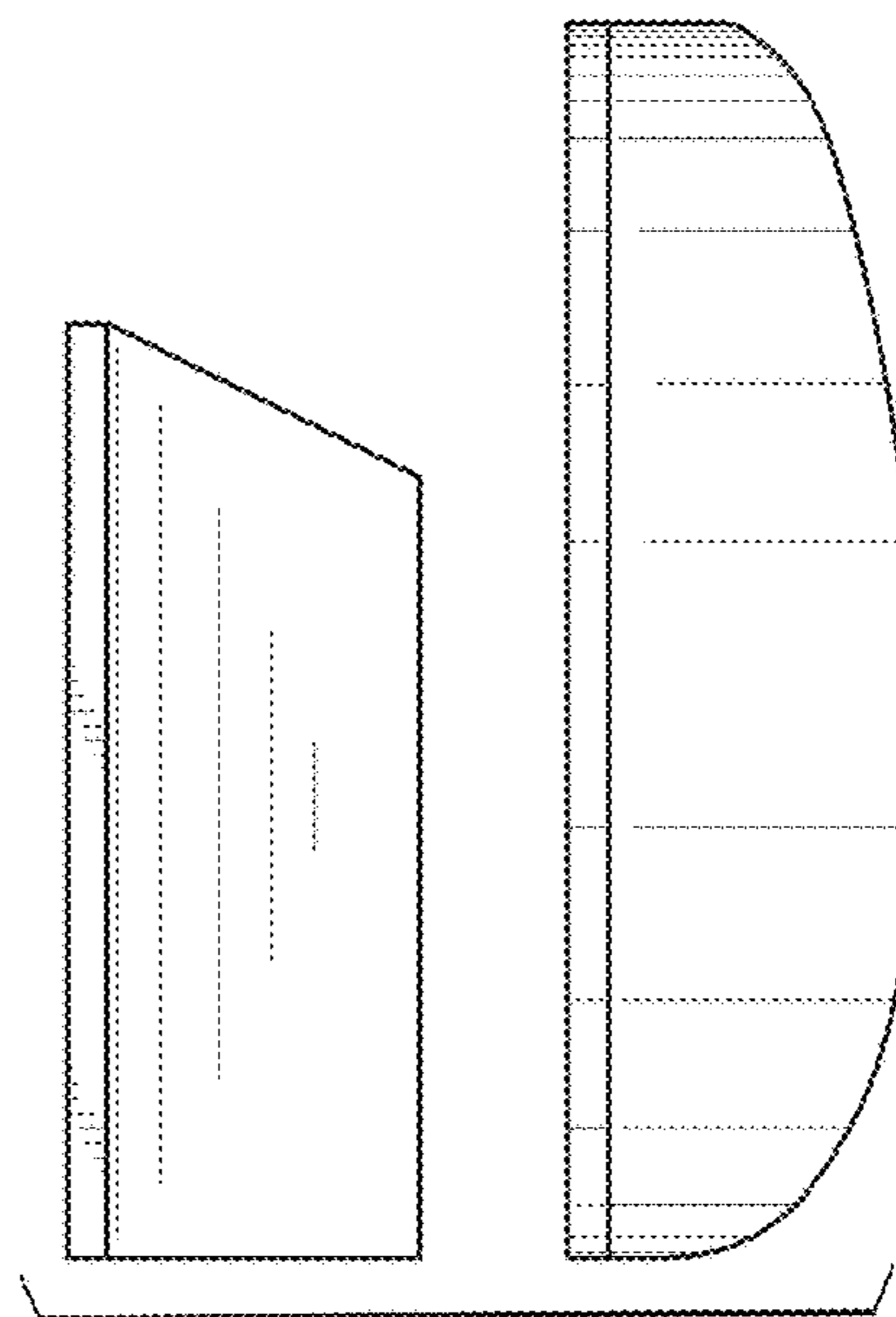


FIG. 5



FIG. 6

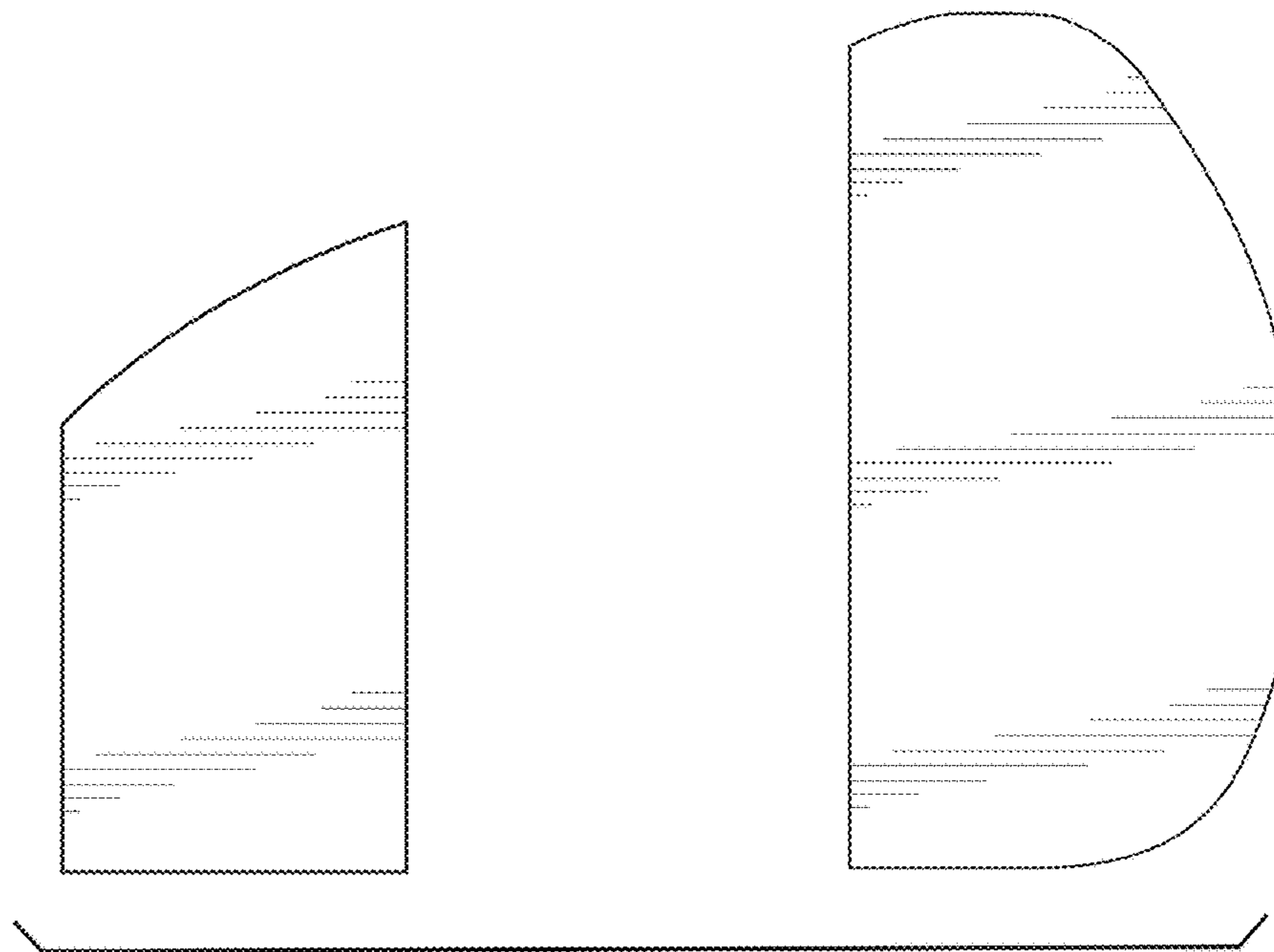


FIG. 7