

US00D868186S

(12) **United States Design Patent** (10) **Patent No.:** **US D868,186 S**
Broom (45) **Date of Patent:** **** Nov. 26, 2019**

- (54) **PUTTER**
- (71) Applicant: **Optic, Inc.**, Bainbridge Island, WA (US)
- (72) Inventor: **Richard P. Broom**, Bainbridge Island, WA (US)
- (73) Assignee: **Optic, Inc.**, Bainbridge, WA (US)
- (**) Term: **15 Years**
- (21) Appl. No.: **29/660,683**
- (22) Filed: **Aug. 22, 2018**
- (51) **LOC (12) Cl.** **21-02**
- (52) **U.S. Cl.**
USPC **D21/743**
- (58) **Field of Classification Search**
USPC D21/736-746, 759
CPC A63B 53/00; A63B 53/04; A63B 53/007;
A63B 53/065; A63B 53/0487; A63B
60/00; A63B 60/46
See application file for complete search history.

D410,267 S	5/1999	Solheim	
5,961,400 A *	10/1999	Broom	A63B 53/0487 473/313
D417,710 S *	12/1999	Broom	D21/736
D432,608 S *	10/2000	Broom	D21/744
D438,923 S *	3/2001	Broom	D21/744
D448,437 S *	9/2001	Colucci	D21/736
D455,467 S *	4/2002	Shenoha	D21/736
D495,018 S	8/2004	Ruffin	
D538,865 S *	3/2007	Cameron	D21/736

(Continued)

Primary Examiner — Mitchell I. Siegel
(74) *Attorney, Agent, or Firm* — Lowe Graham Jones PLLC; Michael J. Folise; David A. Lowe

(57) **CLAIM**

The ornamental design for a putter, as shown and described.

DESCRIPTION

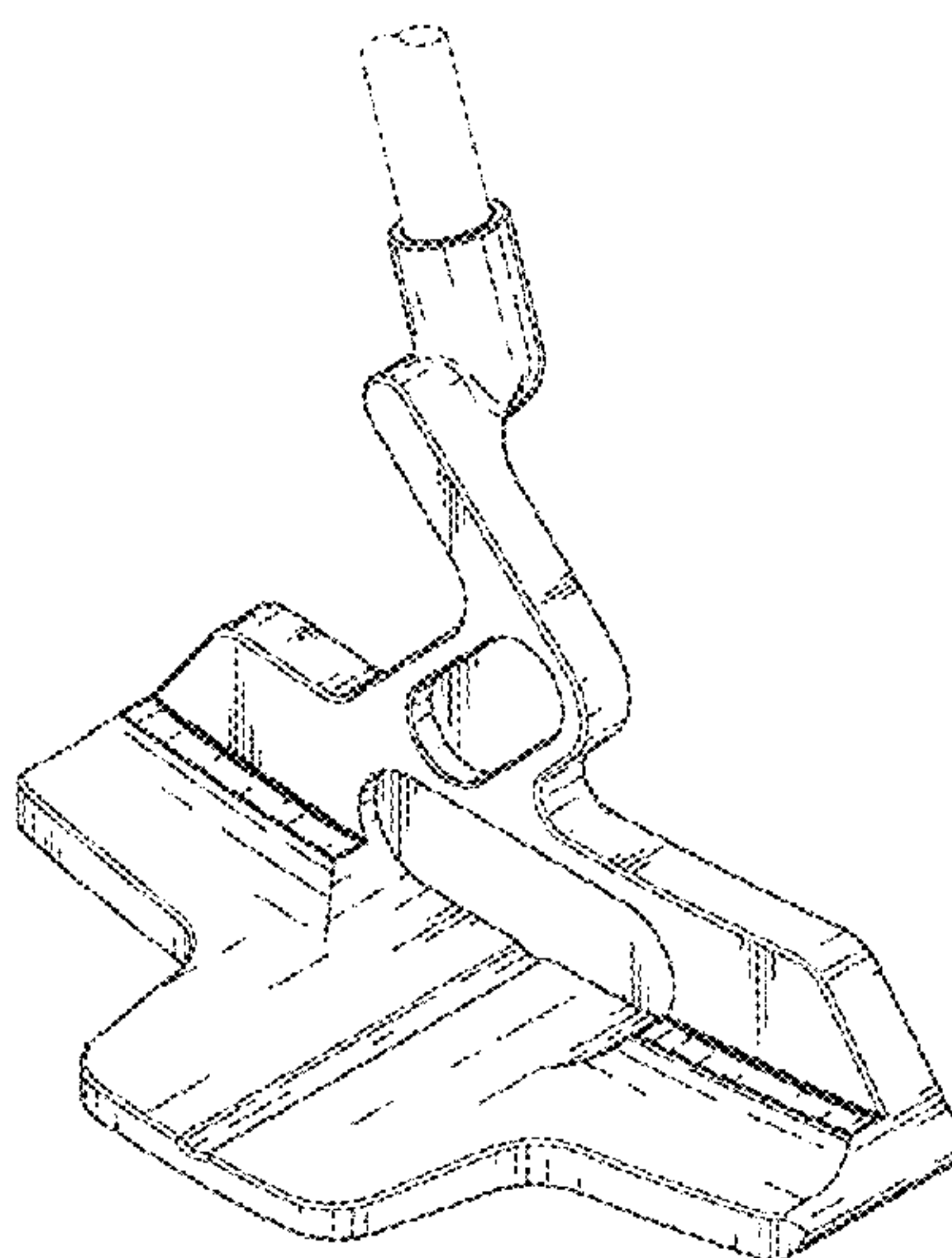
FIG. 1 is a top, right isometric view of a putter showing my new design.
 FIG. 2 is a front elevation view thereof.
 FIG. 3 is a rear elevation view thereof.
 FIG. 4 is a top plan view thereof.
 FIG. 5 is a bottom plan view thereof.
 FIG. 6 is a left side elevation view thereof.
 FIG. 7 is a right side elevation view thereof.
 FIG. 8 is a top, right isometric view of a second embodiment thereof.
 FIG. 9 is a front elevation view of FIG. 8.
 FIG. 10 is a rear elevation view of FIG. 8.
 FIG. 11 is a top plan view of FIG. 8.
 FIG. 12 is a bottom plan view of FIG. 8.
 FIG. 13 is a left side elevation view of FIG. 8; and,
 FIG. 14 is a right side elevation view of FIG. 8.
 The broken lines shown are included for the purpose of illustrating unclaimed subject matter and forms no part of the claimed design.

(56) **References Cited**

U.S. PATENT DOCUMENTS

3,042,405 A	7/1962	Karsten	
D254,084 S	1/1980	Hulyk	
D280,004 S *	8/1985	Worster	D21/744
4,984,794 A	1/1991	Pernelle et al.	
D315,386 S *	3/1991	Alonso	D21/741
5,014,992 A	5/1991	McCallister	
D317,962 S *	7/1991	Pelz	D21/735
5,078,398 A	1/1992	Reed et al.	
5,226,654 A	7/1993	Solheim	
5,267,733 A	12/1993	Szokola	
5,494,288 A	2/1996	Jimenez et al.	
D387,829 S	12/1997	Blaine	
D402,721 S	12/1998	Gurrola	
D408,066 S	4/1999	Gurrola	
D410,054 S	5/1999	Yu	

1 Claim, 8 Drawing Sheets



(56)

References Cited

U.S. PATENT DOCUMENTS

D556,277 S	*	11/2007	Broom	D21/743
D559,930 S	*	1/2008	Cameron	D21/746
D566,277 S		4/2008	Barry	
D585,511 S	*	1/2009	Cameron	D21/743
D620,993 S	*	8/2010	Laub	D21/746
D623,251 S	*	9/2010	Rollinson	D21/744
D629,475 S	*	12/2010	Rollinson	D21/736
D631,925 S	*	2/2011	Broom	D21/743
D684,643 S		6/2013	Kim	
D741,427 S	*	10/2015	Broom	D21/743
D741,968 S	*	10/2015	Broom	D21/743
D759,171 S	*	6/2016	Rollinson	D21/743
D773,572 S	*	12/2016	Rollinson	D21/743
D819,762 S	*	6/2018	Broom	D21/743
D822,133 S	*	7/2018	Feret, Jr.	D21/743
D832,951 S	*	11/2018	Broom	D21/746

* cited by examiner

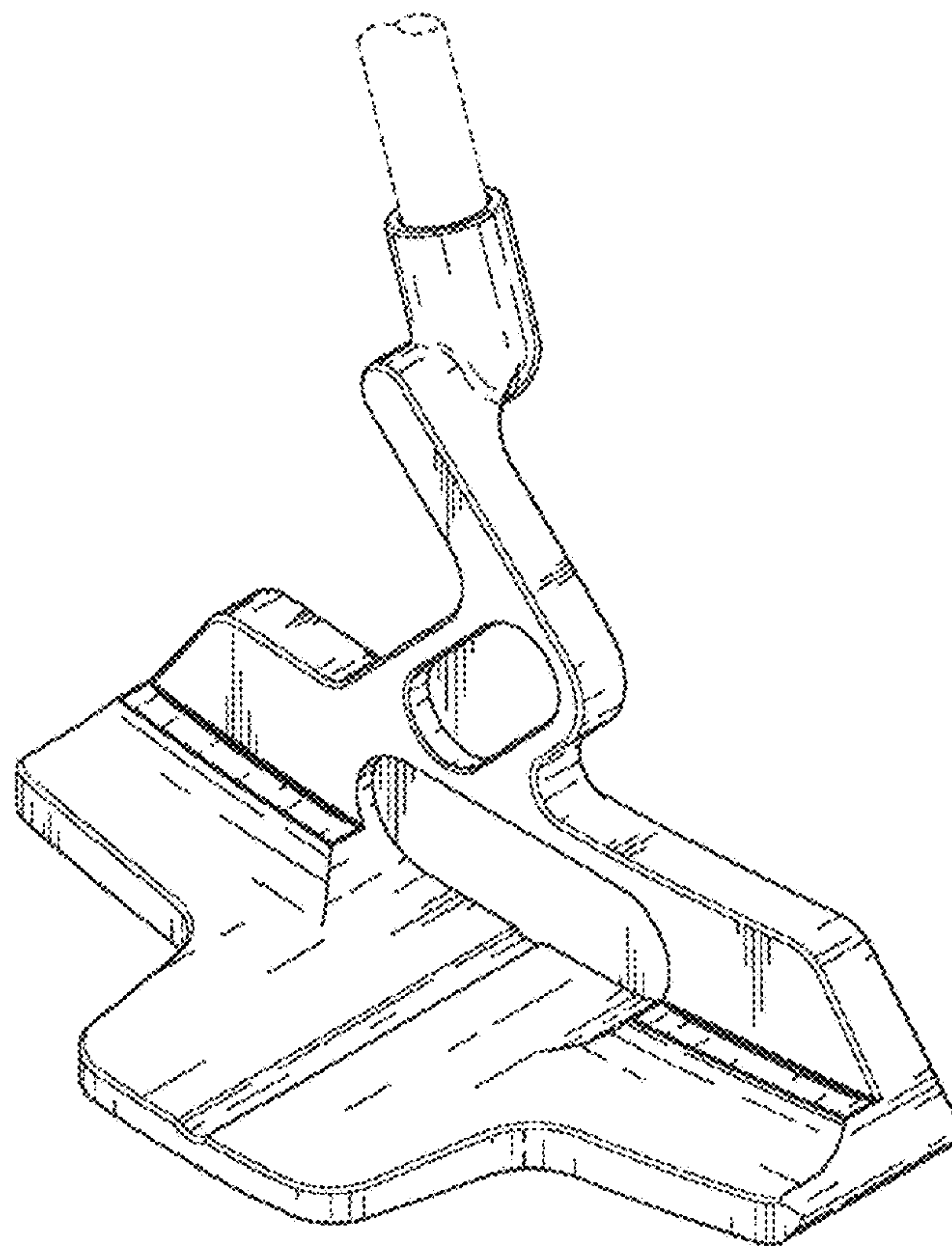


Fig. 1

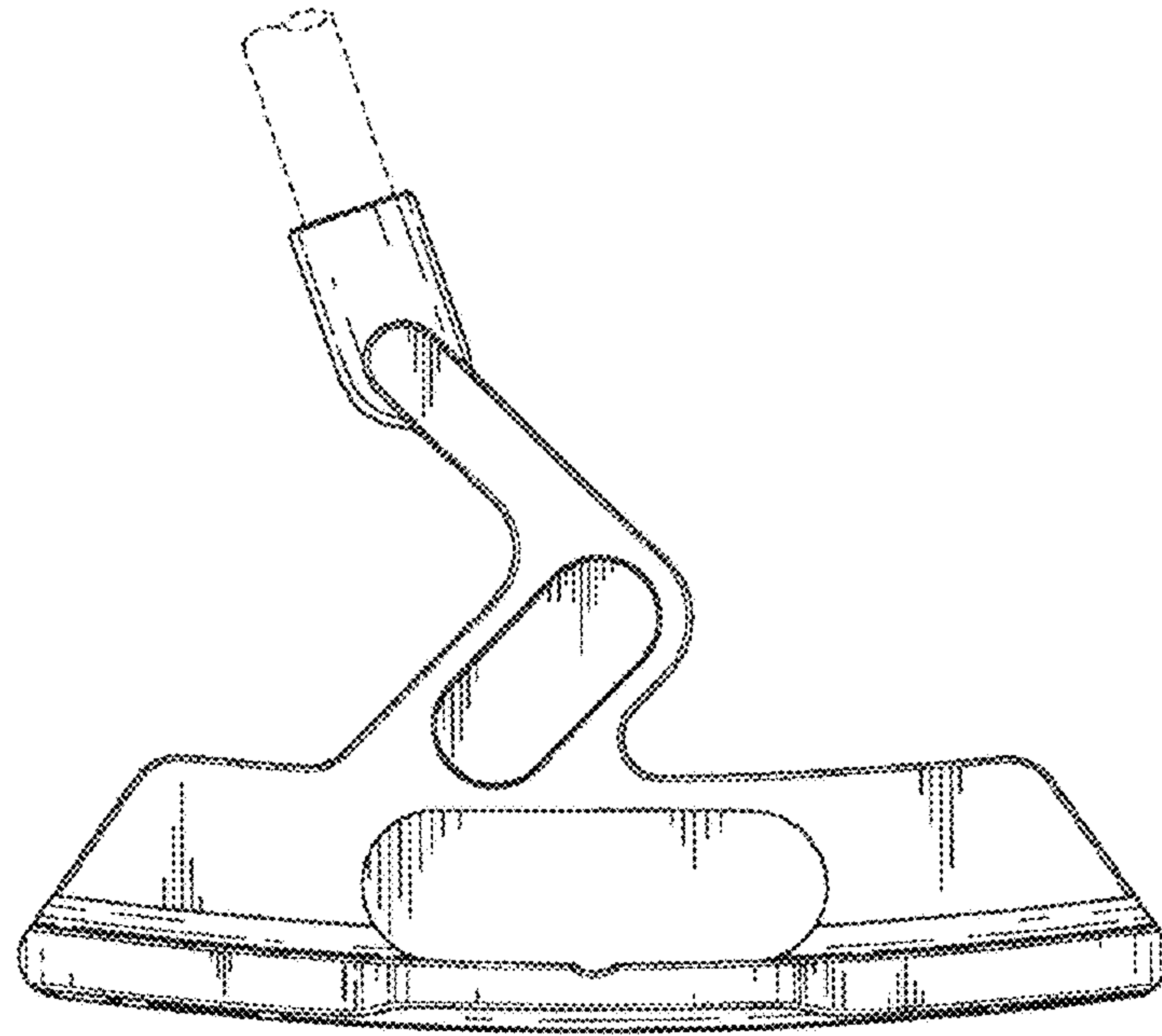


Fig. 2

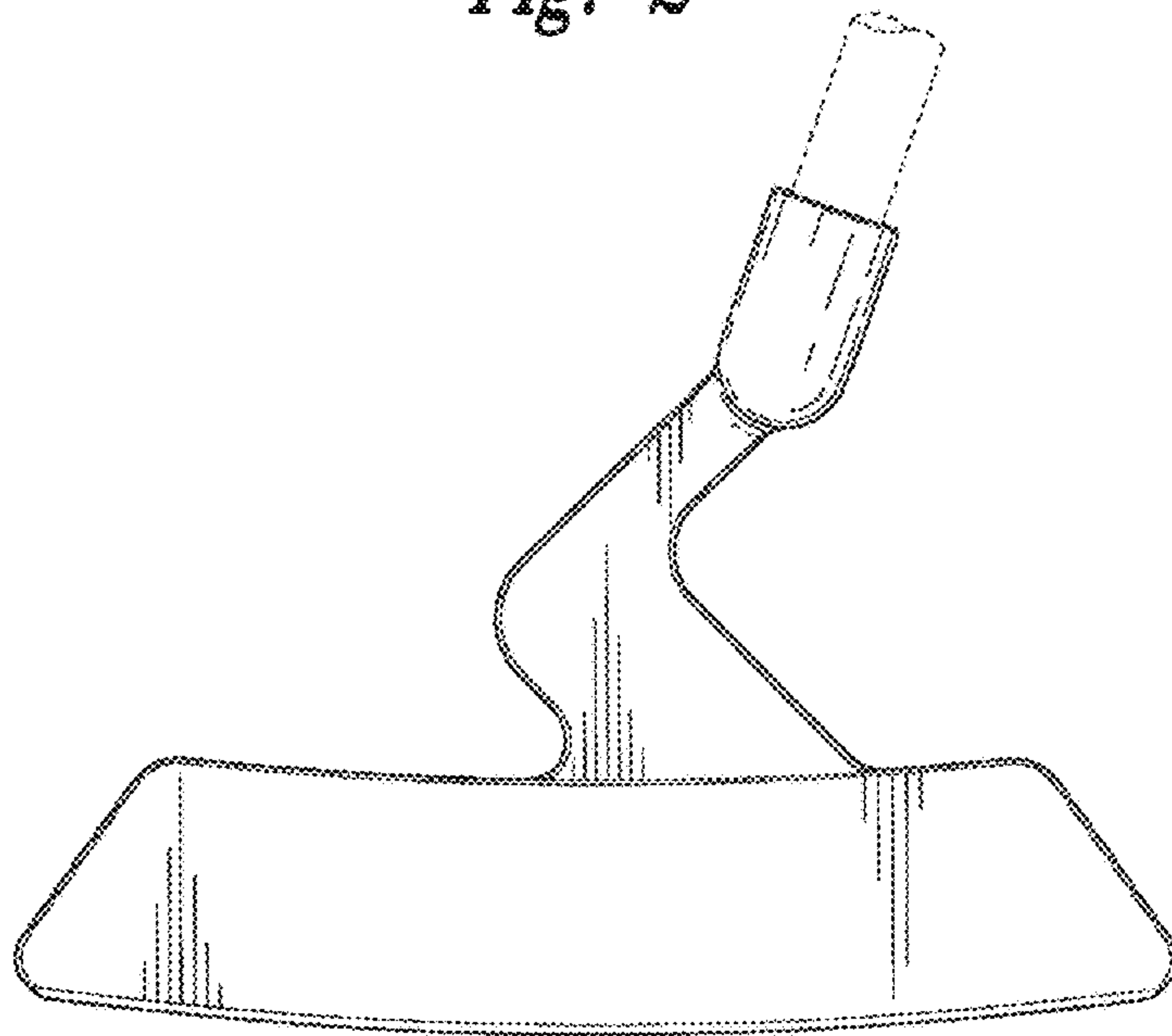


Fig. 3

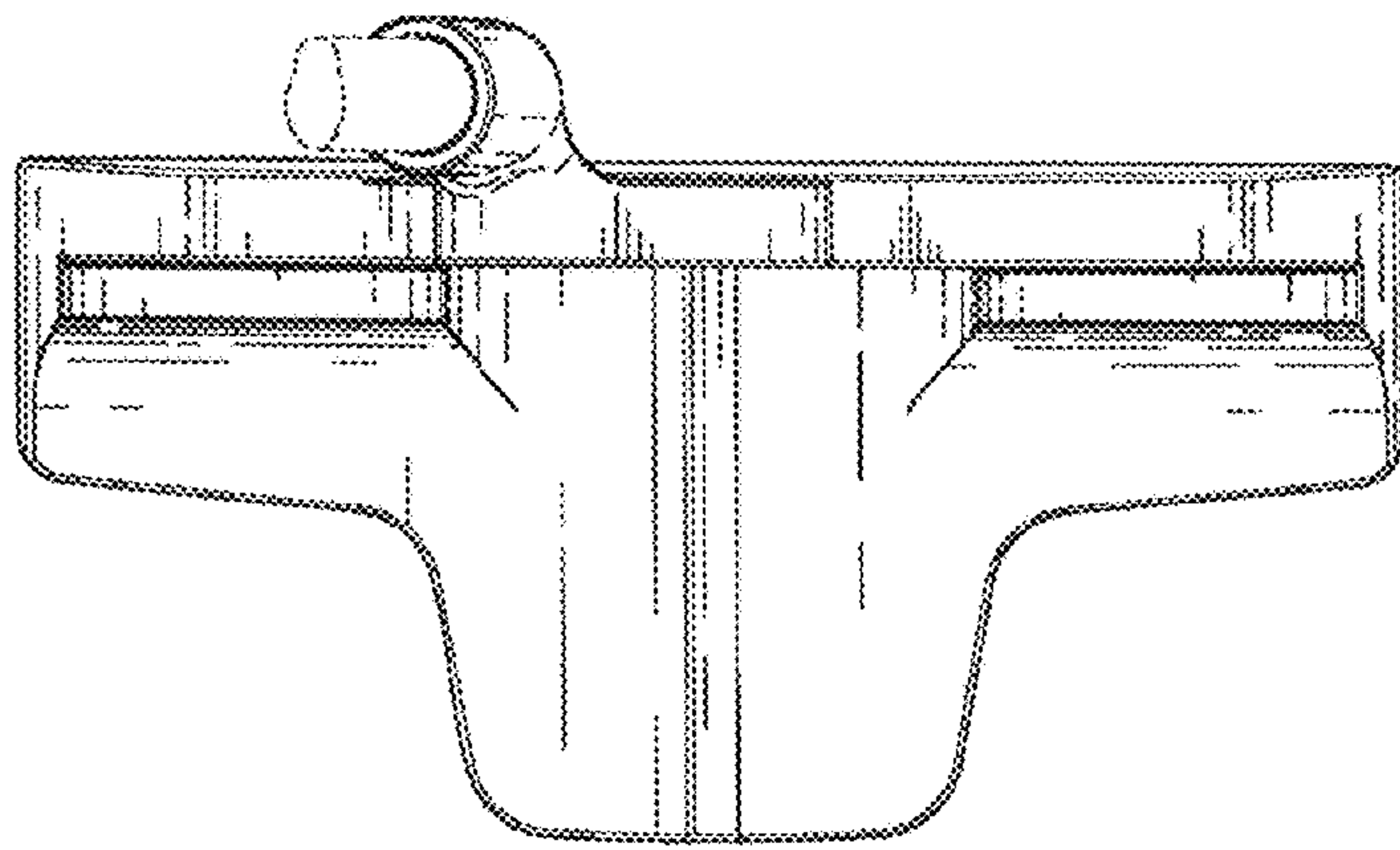


Fig. 4

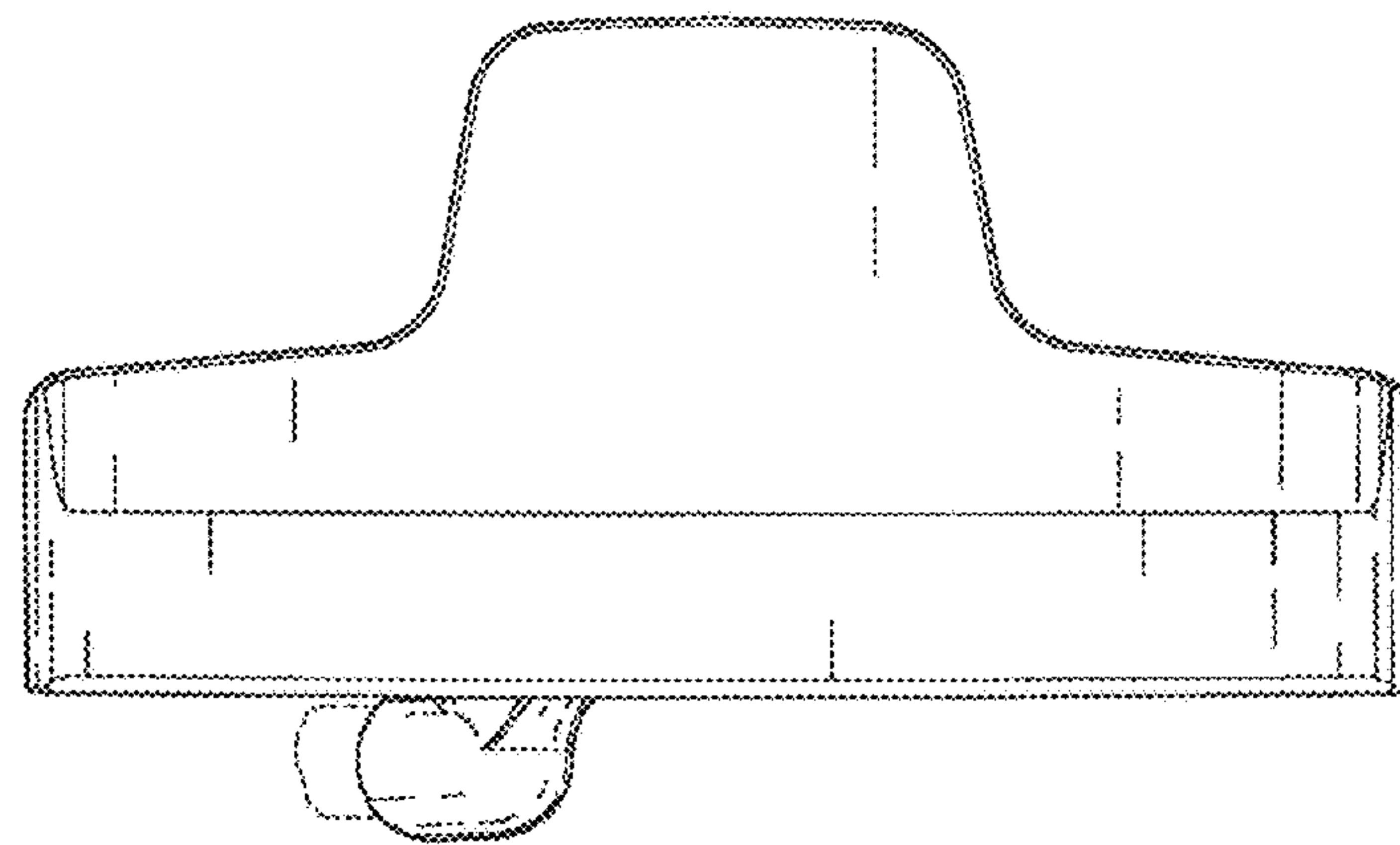


Fig. 5

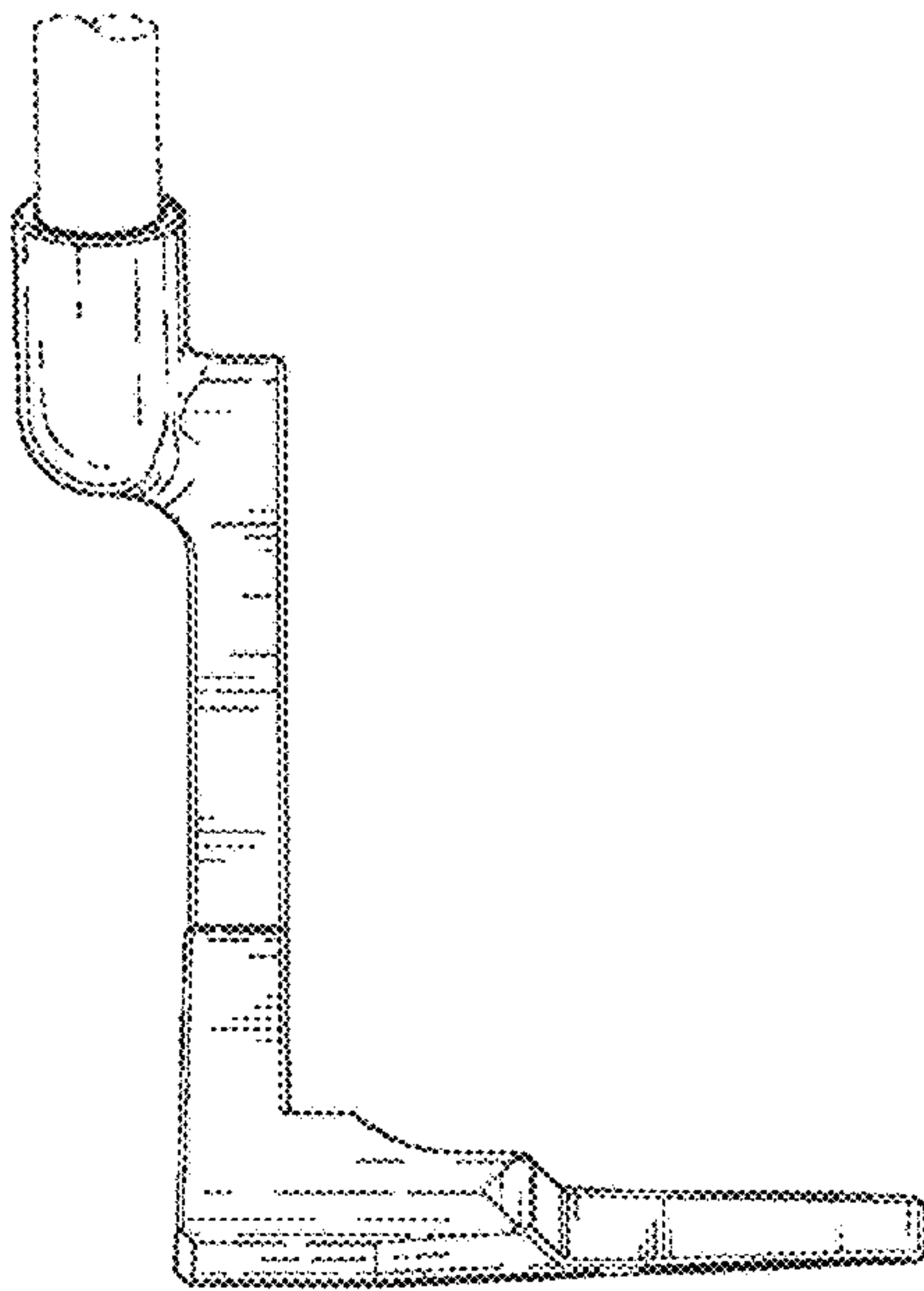


Fig. 6

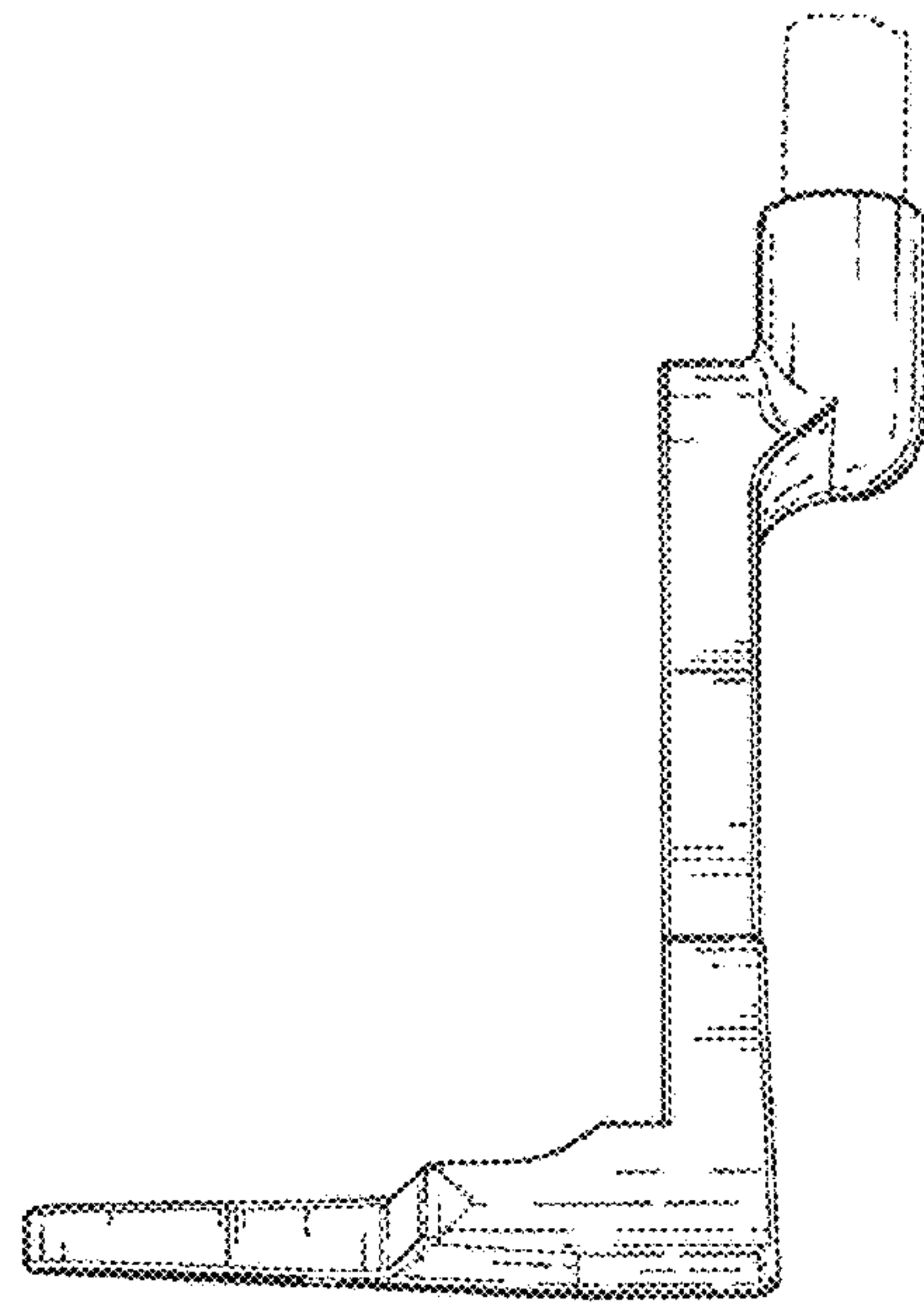


Fig. 7

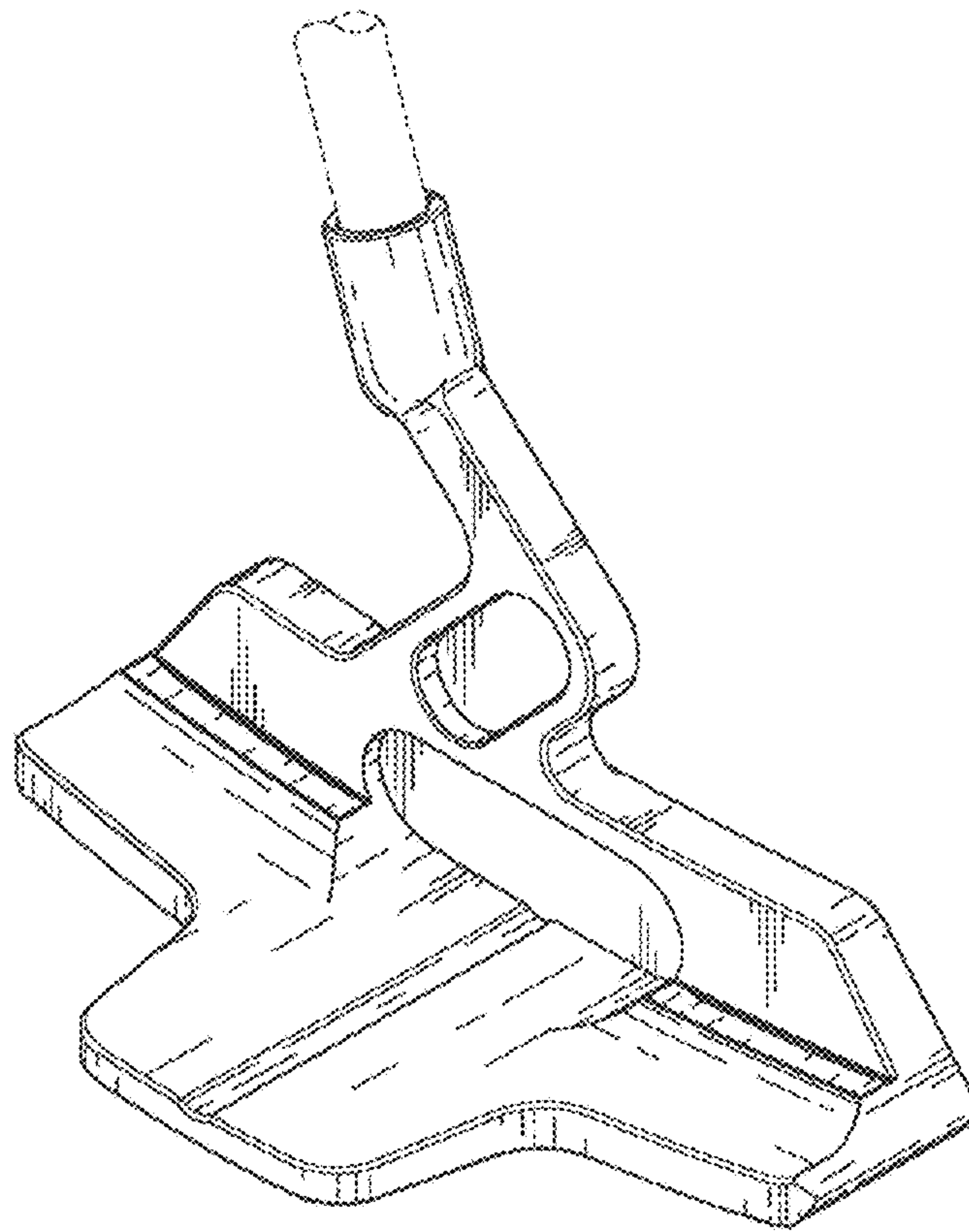


Fig. 8

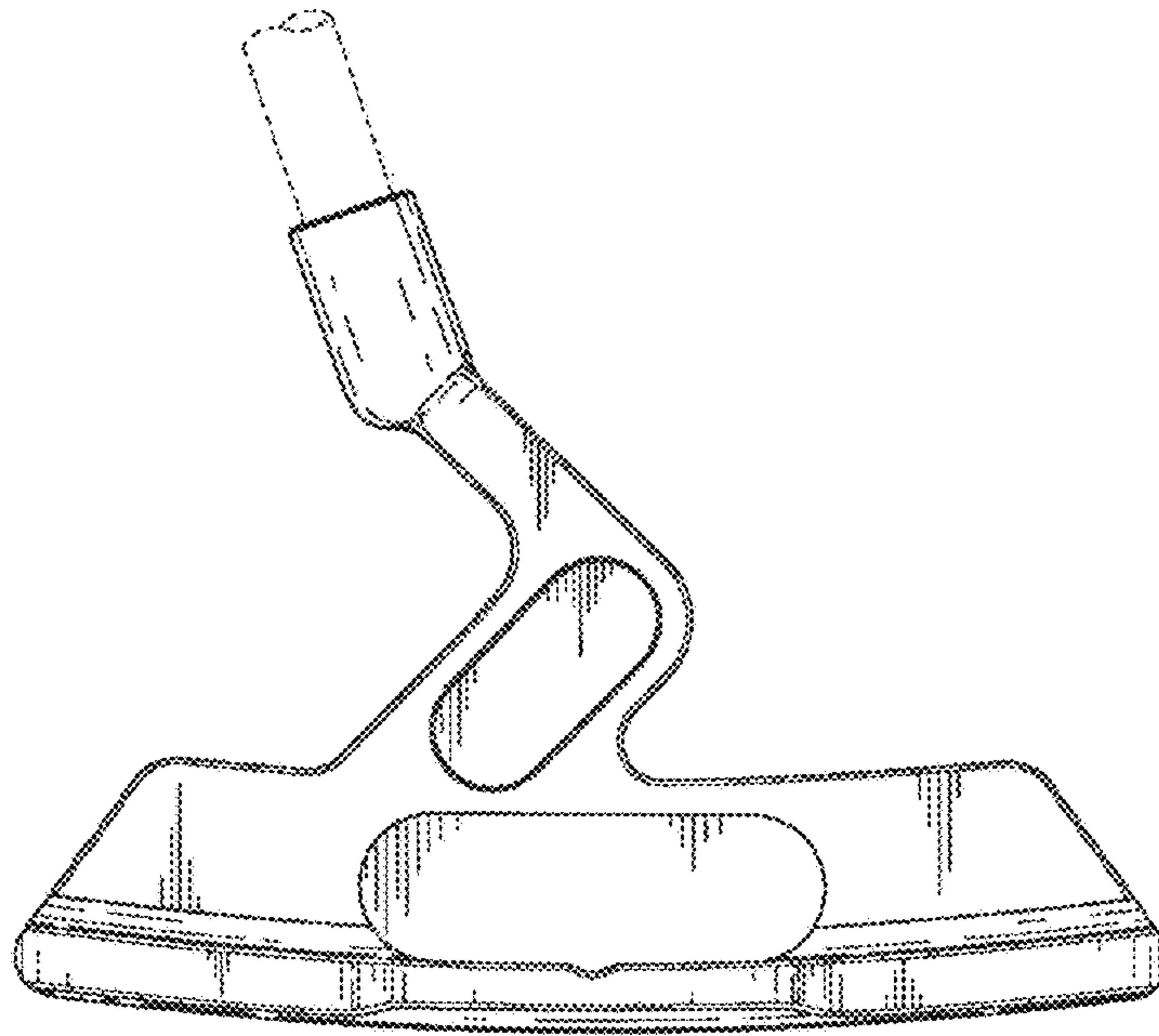


Fig. 9

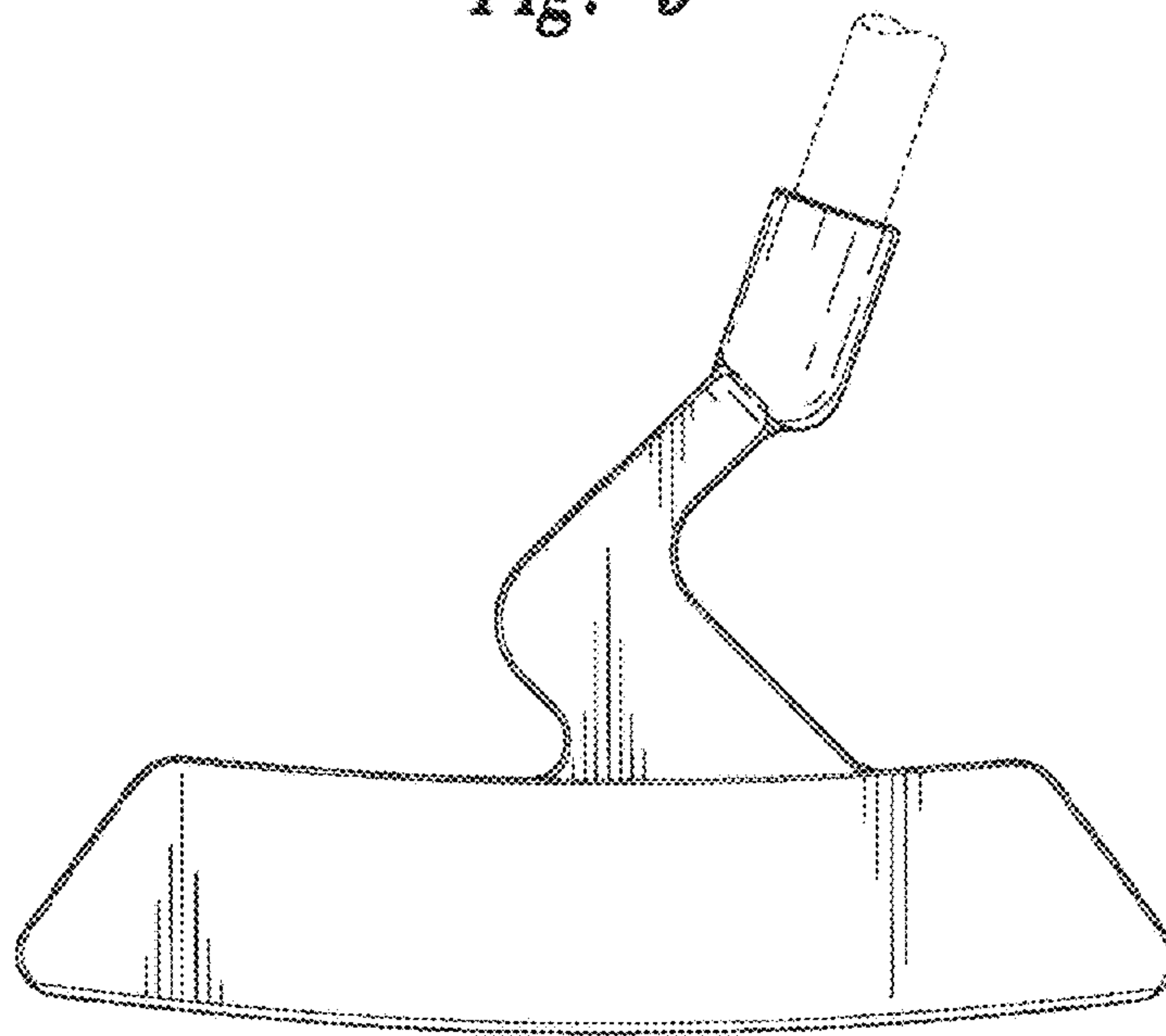


Fig. 10

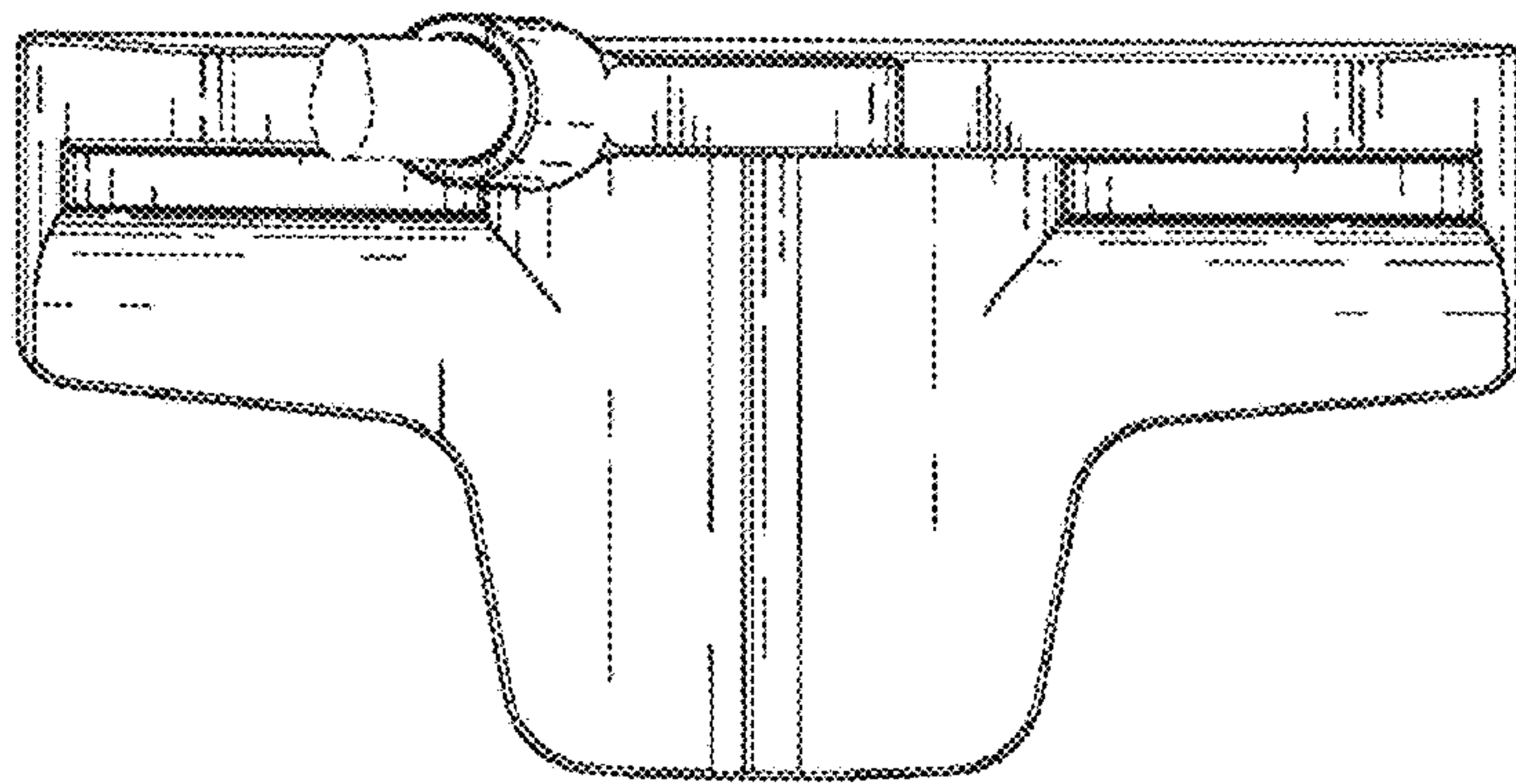


Fig. 11

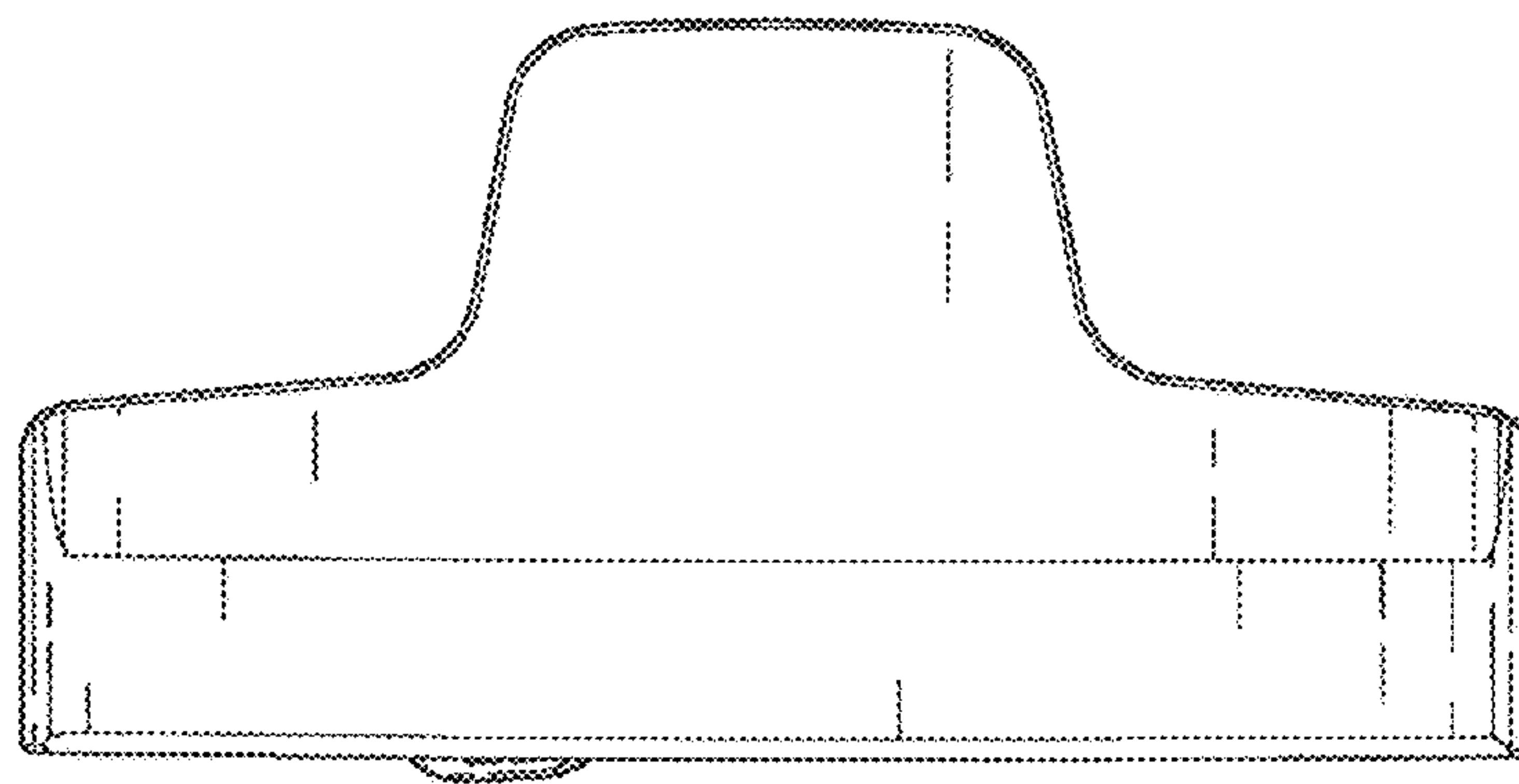


Fig. 12

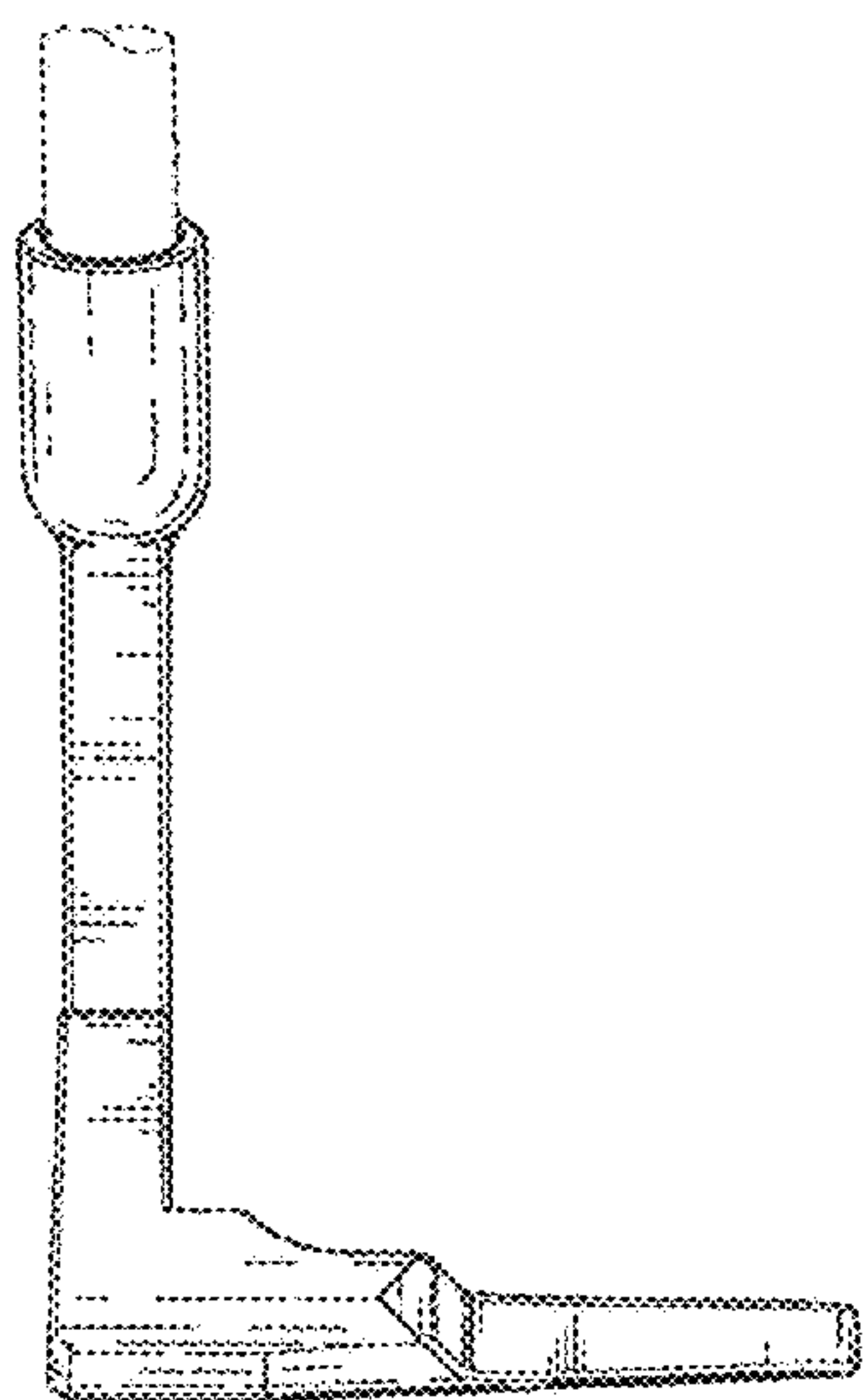


Fig. 13

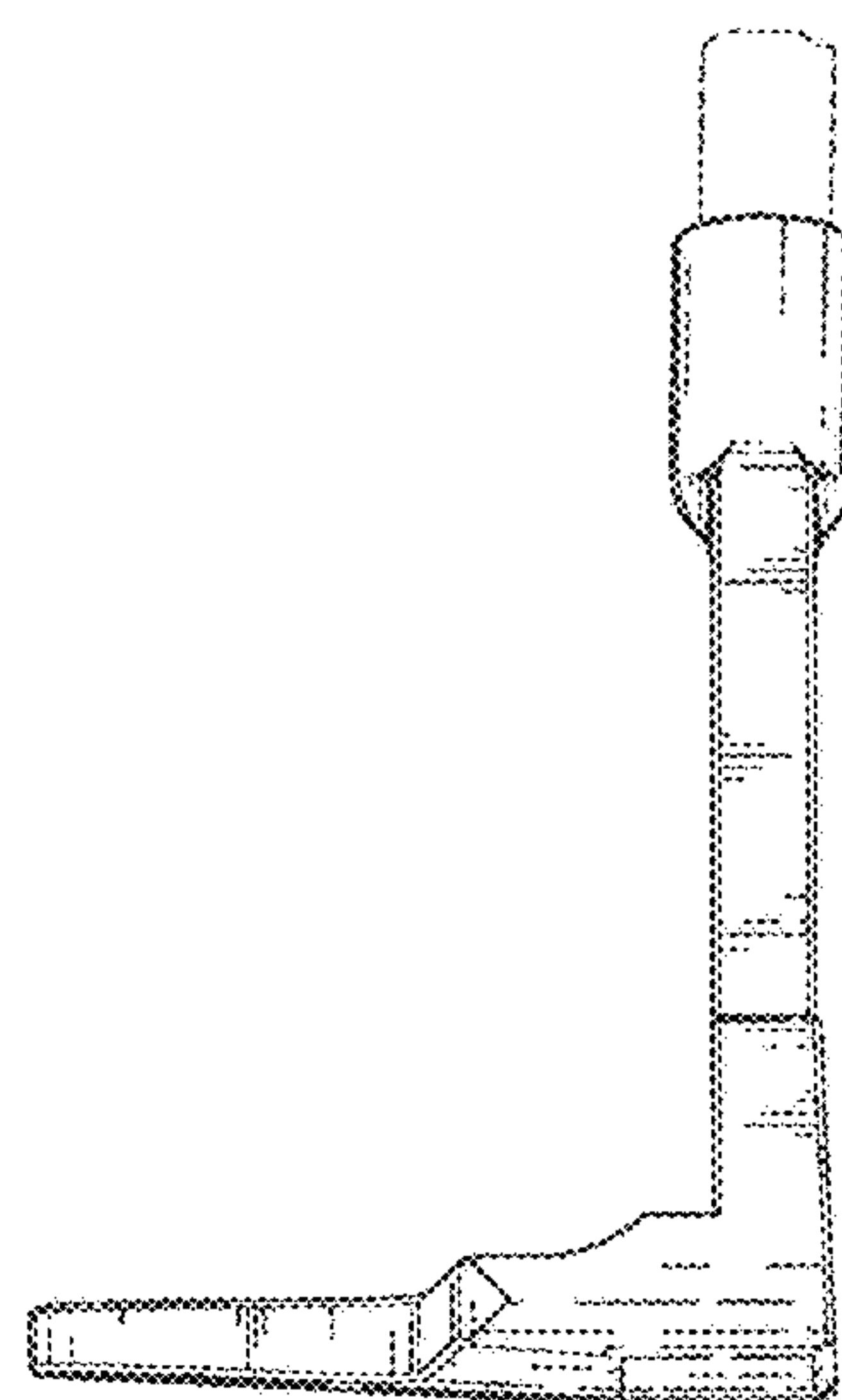


Fig. 14