

US00D868185S

(12) **United States Design Patent**  
**Redmond**

(10) **Patent No.:** **US D868,185 S**

(45) **Date of Patent:** **\*\* Nov. 26, 2019**

(54) **EXERCISE MACHINE**

(71) Applicant: **IQInvestments Corporation Pty. Ltd.**,  
Wollongong, New South Wales (AU)

(72) Inventor: **Geoffrey Redmond**, Cronulla (AU)

(73) Assignee: **IQInvestments Corporation Pty. Ltd.**,  
Wollongong, NSW (AU)

(\*\*) Term: **15 Years**

(21) Appl. No.: **29/616,751**

(22) Filed: **Sep. 8, 2017**

(30) **Foreign Application Priority Data**

Mar. 8, 2017 (AU) ..... 201711395

(51) **LOC (12) Cl.** ..... **21-02**

(52) **U.S. Cl.**  
USPC ..... **D21/691**

(58) **Field of Classification Search**

USPC ..... D6/656.1, 552, 549, 548; D21/827, 826,  
D21/797, 694, 691, 690, 686, 679, 673,  
D21/665, 662; 482/96, 95, 94, 93, 92,  
482/87, 8, 77, 41, 40, 38, 36, 35, 2, 148,  
482/147, 144, 142, 141, 140, 135, 133,  
482/132, 130, 128, 104, 101; 472/136,  
472/118

CPC ..... A63B 21/4035; A63B 21/0552; A63B  
23/0211; A63B 2210/50; A63B 21/4047;  
A63B 23/12; A63B 21/068; A63B  
21/154; A63B 2208/0204; A63B 23/1236;  
A63B 21/00047; A63B 23/1218; A63B  
23/1227; A63B 1/00

See application file for complete search history.

(56) **References Cited**

**U.S. PATENT DOCUMENTS**

D267,419 S \* 12/1982 Komarnicki ..... D21/691  
4,538,807 A \* 9/1985 Rice ..... A63B 22/14  
482/133

D298,959 S \* 12/1988 DeGalvez ..... D21/691  
D320,823 S \* 10/1991 Tanner ..... D21/686  
D324,708 S \* 3/1992 Walsh ..... D21/691  
D339,835 S \* 9/1993 Hsieh ..... D21/691  
5,407,404 A \* 4/1995 Killian ..... A63B 21/0552  
482/123  
6,048,294 A \* 4/2000 Formanek ..... A63B 21/00047  
482/141  
6,413,198 B1 \* 7/2002 Gray ..... A63B 23/00  
482/148  
D544,050 S \* 6/2007 Webber ..... D21/686  
D578,582 S \* 10/2008 Gomez ..... D21/686  
7,857,739 B2 \* 12/2010 Caldwell ..... A63B 21/00047  
482/130  
8,246,524 B2 \* 8/2012 Castillo ..... A63B 21/023  
482/101  
D698,402 S \* 1/2014 Saletta ..... D21/686  
D745,939 S \* 12/2015 Kaye ..... D21/686  
D753,246 S \* 4/2016 Kaye ..... D21/686  
9,314,658 B2 \* 4/2016 Kaye ..... A63B 21/0557

(Continued)

*Primary Examiner* — Ryan Harvey

(74) *Attorney, Agent, or Firm* — Fish & Richardson P.C.

(57)

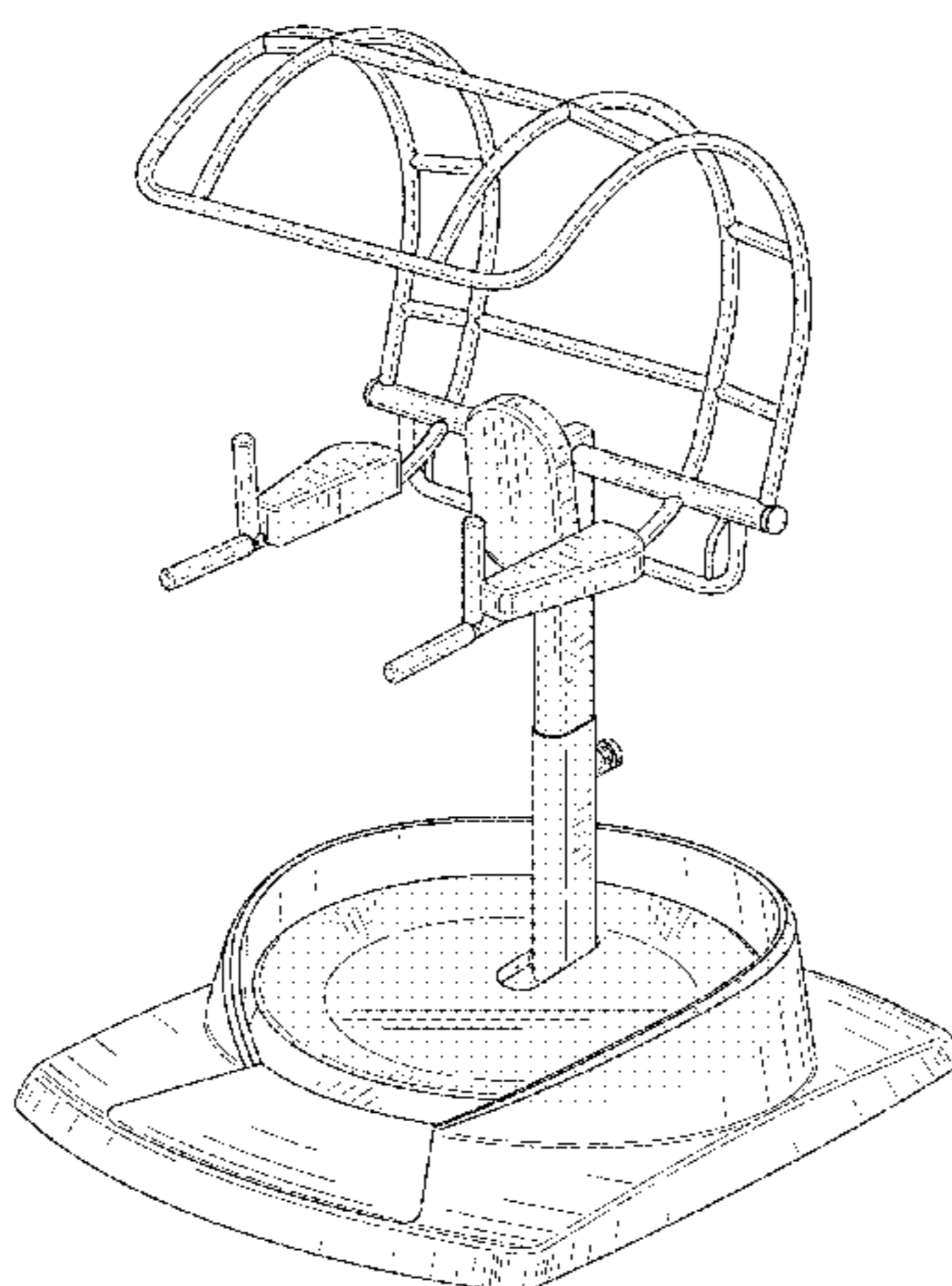
**CLAIM**

The ornamental design for an exercise machine, substantially as shown and described.

**DESCRIPTION**

FIG. 1 is a perspective view of an exercise machine.  
FIG. 2 is a front view of the exercise machine.  
FIG. 3 is a back view of the exercise machine.  
FIG. 4 is a left side view of the exercise machine.  
FIG. 5 is a right side view of the exercise machine.  
FIG. 6 is a top view of the exercise machine; and,  
FIG. 7 is a bottom view of the exercise machine.  
The broken lines which define the bounds of the claimed design form no part thereof.

**1 Claim, 7 Drawing Sheets**



(56)

**References Cited**

U.S. PATENT DOCUMENTS

2005/0049115 A1\* 3/2005 Gomez ..... A63B 17/02  
482/36  
2010/0285932 A1\* 11/2010 Fisher ..... A63B 21/0615  
482/93

\* cited by examiner

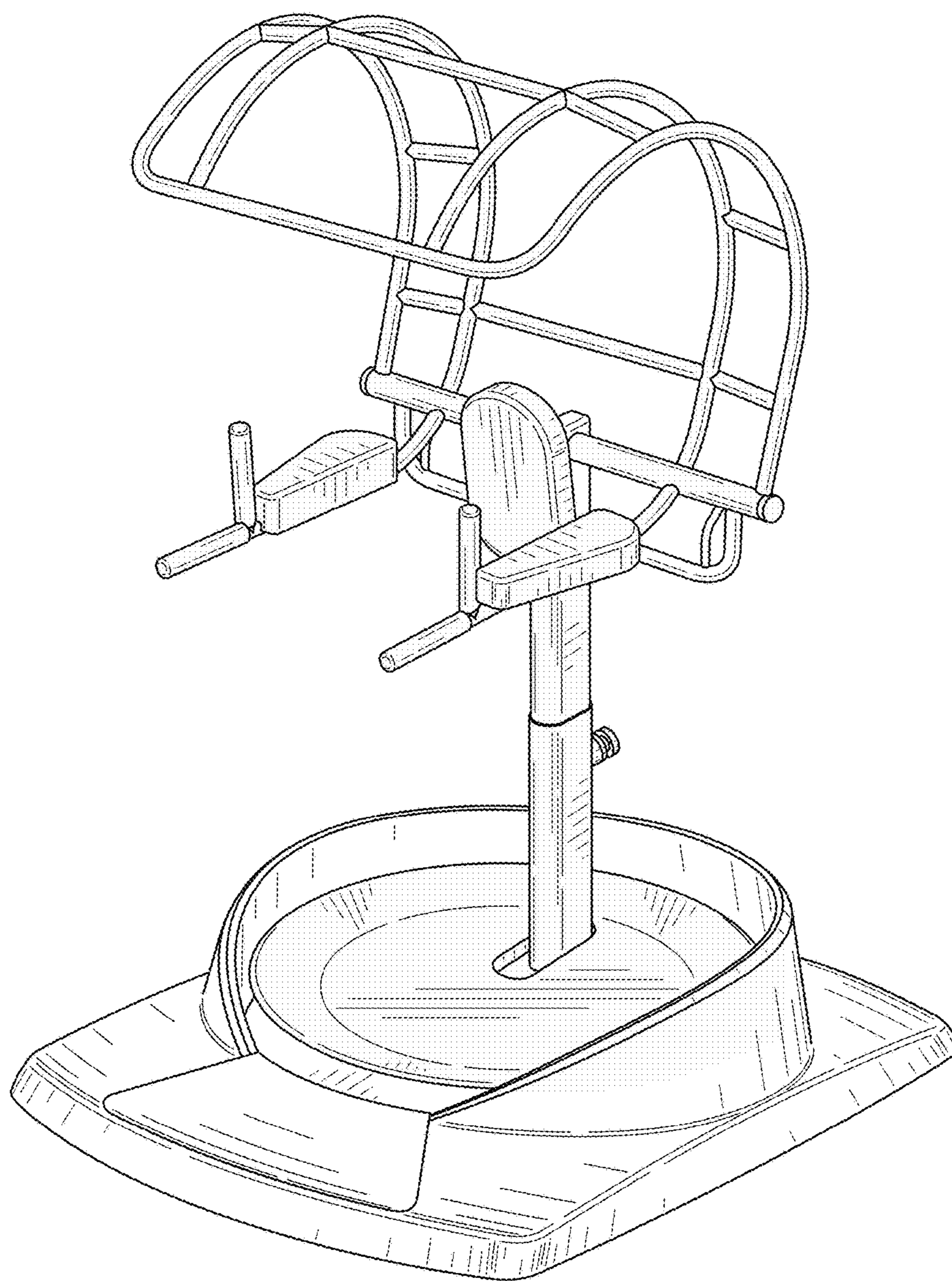


FIG. 1

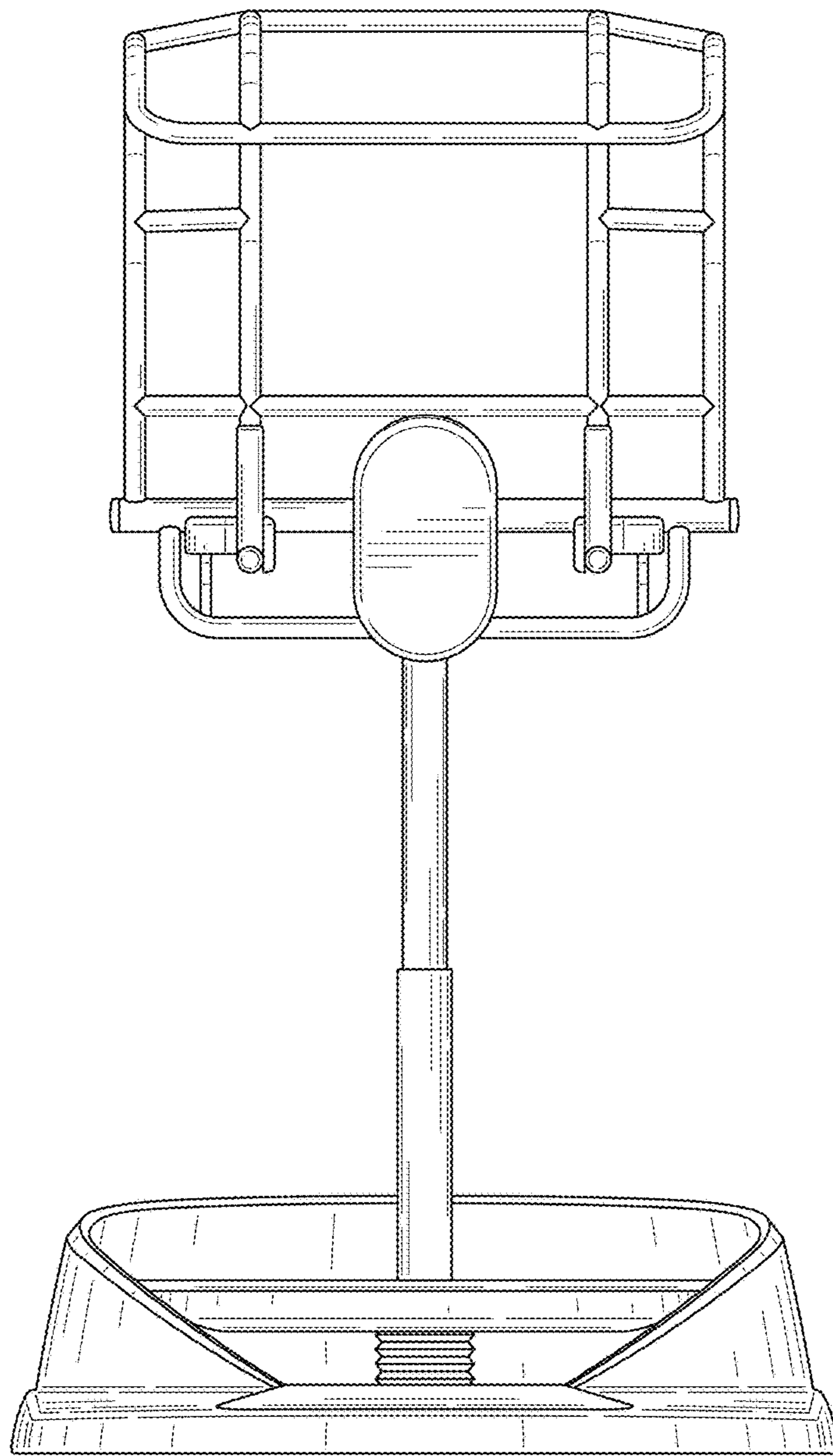


FIG. 2

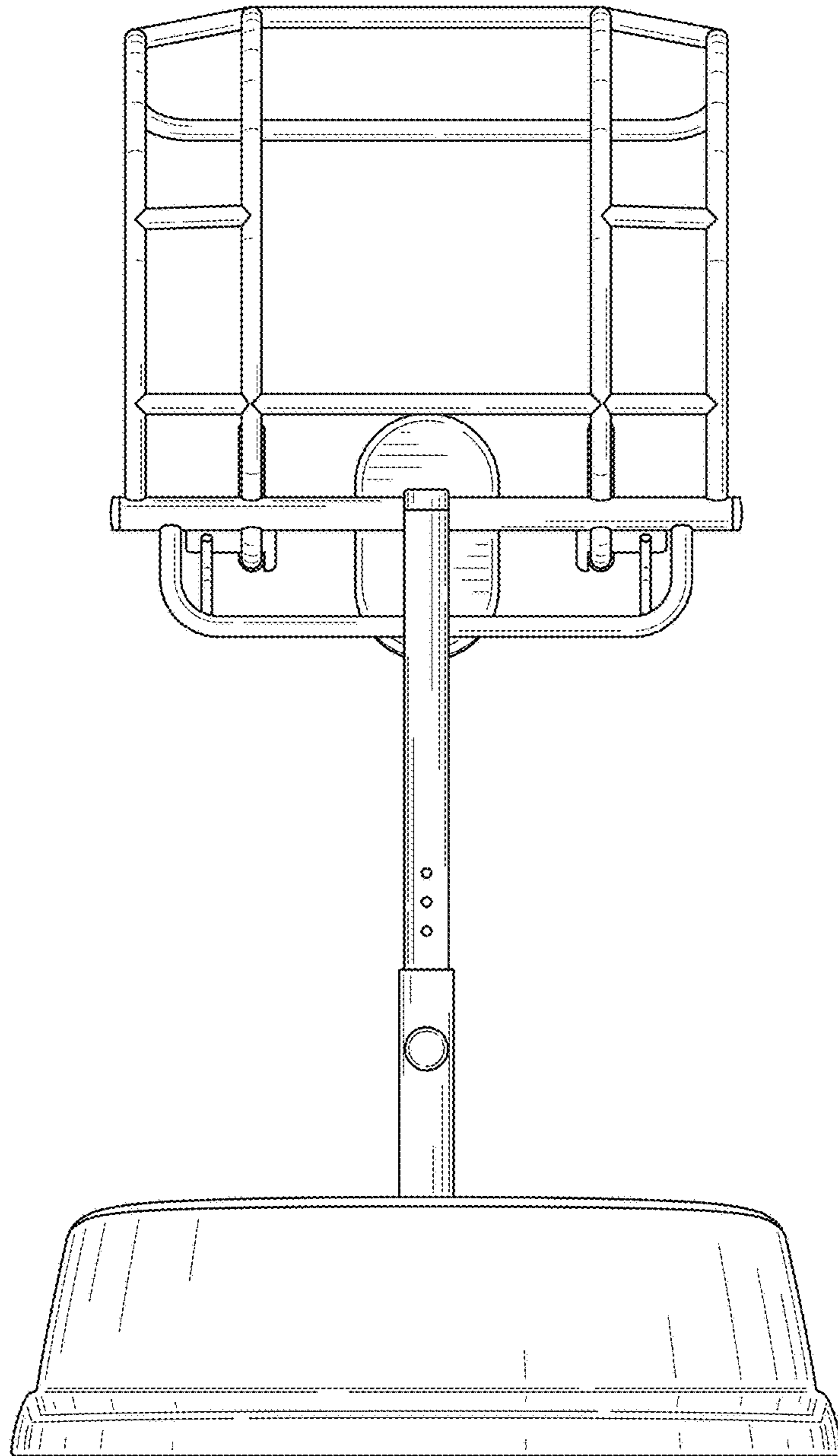


FIG. 3

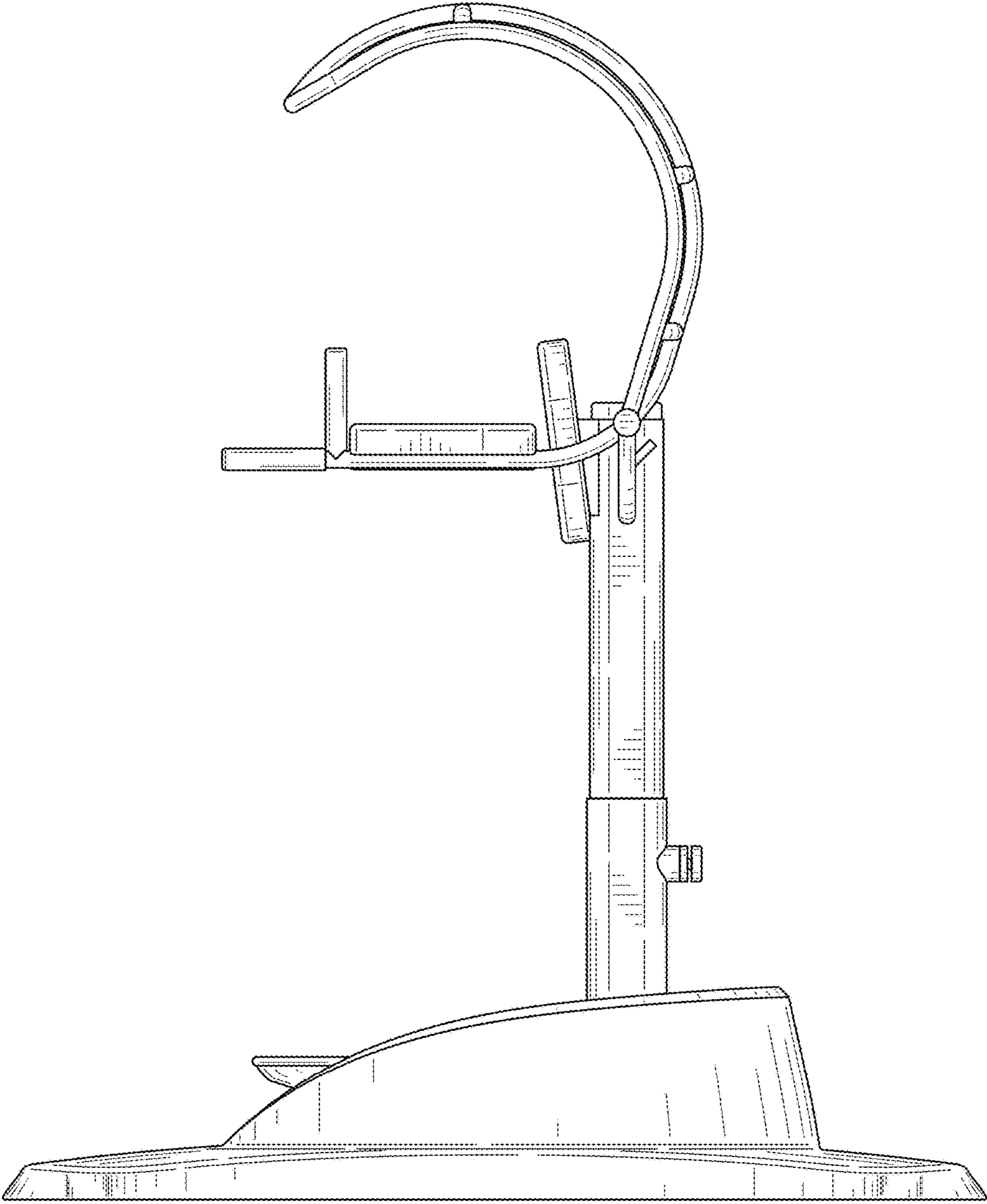


FIG. 4

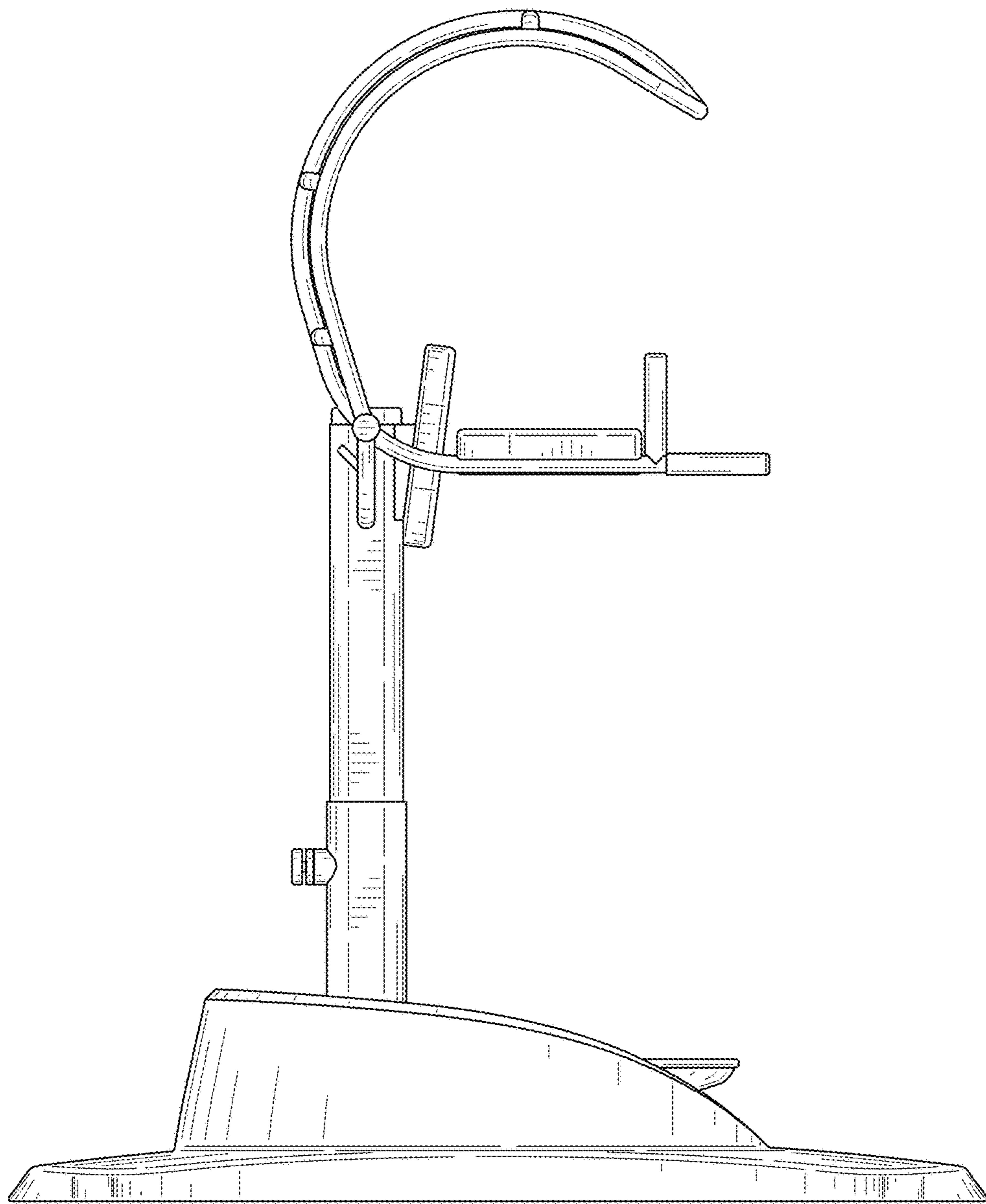


FIG. 5

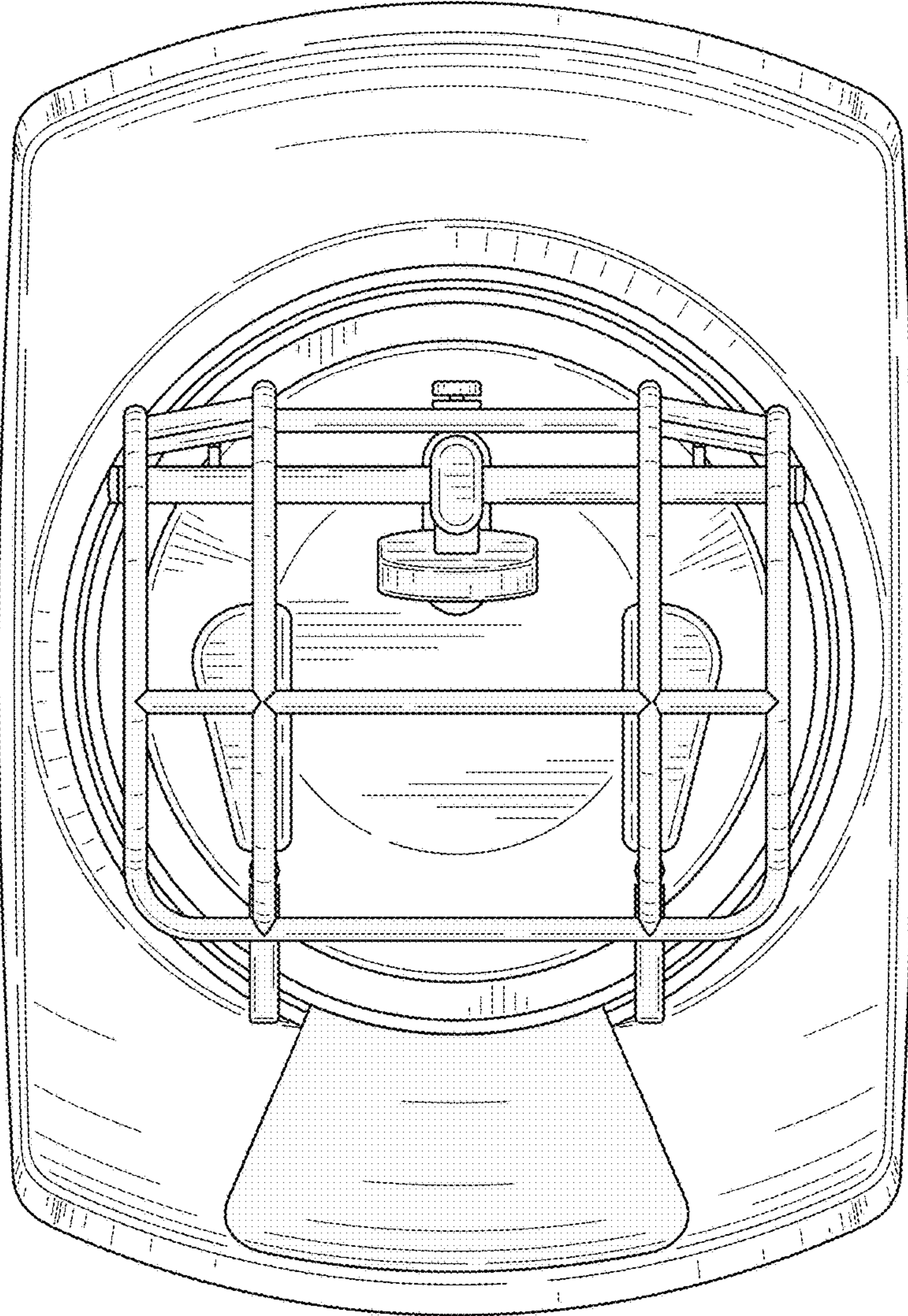


FIG. 6



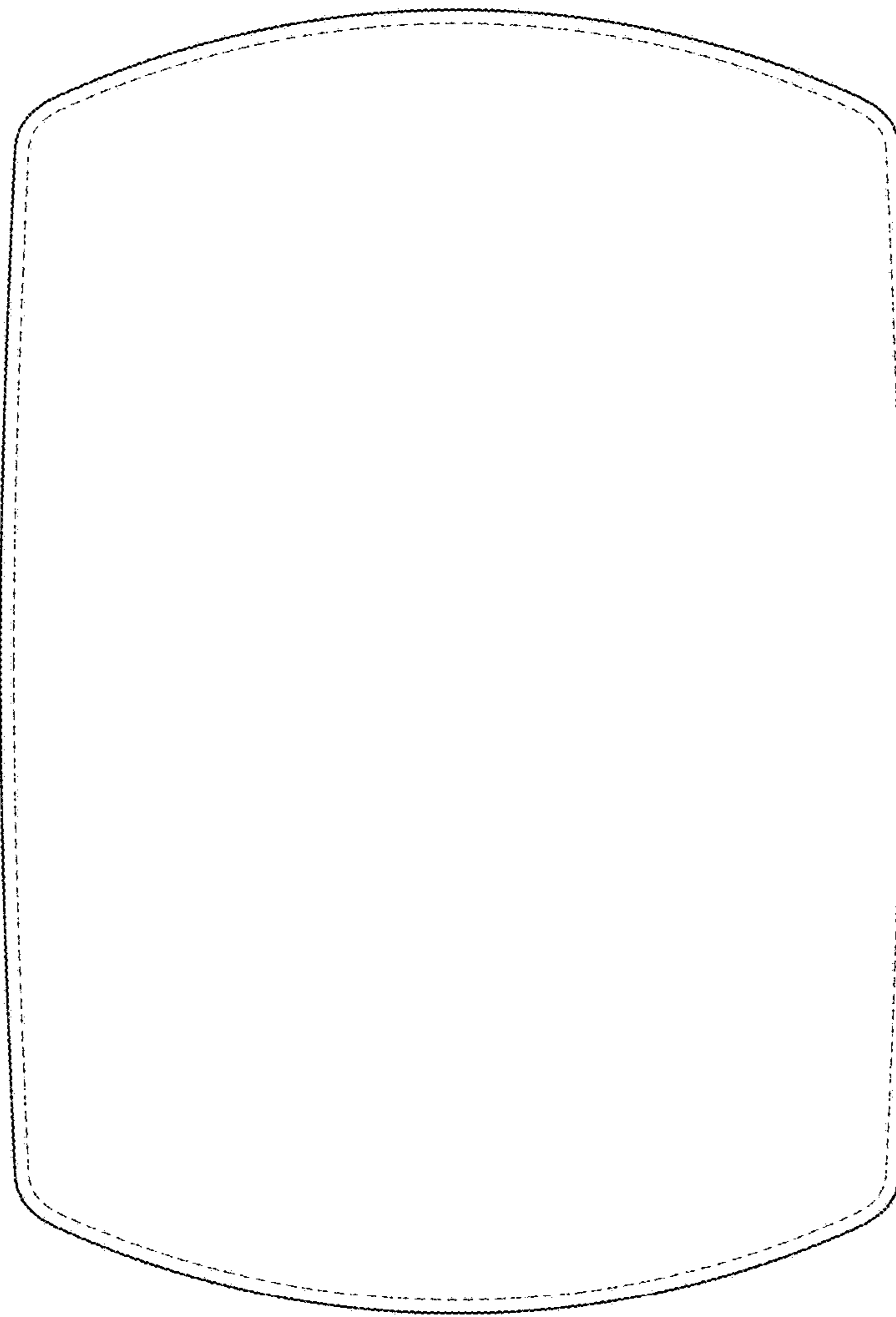


FIG. 7