



US00D868177S

(12) **United States Design Patent**
Chen

(10) **Patent No.:** **US D868,177 S**

(45) **Date of Patent:** **** Nov. 26, 2019**

(54) **CONTROLLER**

(71) Applicant: **SZ DJI Technology Co., Ltd.**,
Shenzhen (CN)

(72) Inventor: **Yiwei Chen**, Shenzhen (CN)

(73) Assignee: **SZ DJI Technology Co., Ltd.**,
Shenzhen (CN)

(**) Term: **15 Years**

(21) Appl. No.: **29/657,351**

(22) Filed: **Jul. 20, 2018**

(51) **LOC (12) Cl.** **21-01**

(52) **U.S. Cl.**
USPC **D21/566**

(58) **Field of Classification Search**
USPC D13/168; D14/195, 218; D21/333, 561,
D21/566; D12/174, 345
CPC A63F 13/06; A63H 30/04; G08C 17/02;
G08C 23/04

See application file for complete search history.

(56) **References Cited**

U.S. PATENT DOCUMENTS

D344,553 S	2/1994	Arai	
5,525,972 A	6/1996	Inokoshi	
D471,603 S	3/2003	Morita et al.	
D517,129 S	3/2006	Yamamoto et al.	
D521,573 S	5/2006	Jinno et al.	
7,250,844 B2	7/2007	Arai et al.	
D573,204 S	7/2008	Arai et al.	
D594,071 S	6/2009	Jinno et al.	
D636,825 S	4/2011	Tanaka	
D650,021 S	12/2011	Suzuki et al.	
8,075,364 B2	12/2011	Wai et al.	
D670,768 S	11/2012	Isono et al.	
D740,708 S	10/2015	Pecorari	
D749,527 S *	2/2016	LI	D13/168
D780,269 S	2/2017	Isono et al.	
D794,135 S	8/2017	Snyder et al.	

D802,677 S *	11/2017	Hung	D21/330
9,829,909 B2	11/2017	Yamaguchi et al.	
9,855,512 B1	1/2018	Wong	
D817,416 S *	5/2018	Pecorari	D21/566
D821,506 S	6/2018	Wang et al.	
D823,949 S *	7/2018	Lu	D21/566
D839,968 S *	2/2019	Kim	D21/566
D839,969 S *	2/2019	Kim	D21/566
D844,716 S *	4/2019	Gan	D21/566
2014/0111317 A1	4/2014	Shen	
2016/0124458 A1	5/2016	Yamaguchi et al.	
2017/0357254 A1*	12/2017	Tanaka	A63H 27/02

OTHER PUBLICATIONS

DJI Spark Remote Controller; prior to Jul. 21, 2018; 1 pg.; https://www.google.com/search?q=drone+controller&hl=en&biw=1536&bih=813&source=Int&tbs=cdr%3A1%2Ccd_min%3A%2Ccd_max%3A7%2F20%2F2018&tbm=isch#imgcr=QPCn1-Vk25rY2M:&spf=1562023673592.*

(Continued)

Primary Examiner — Selina Sikder
(74) *Attorney, Agent, or Firm* — Sterne, Kessler,
Goldstein & Fox P.L.L.C.

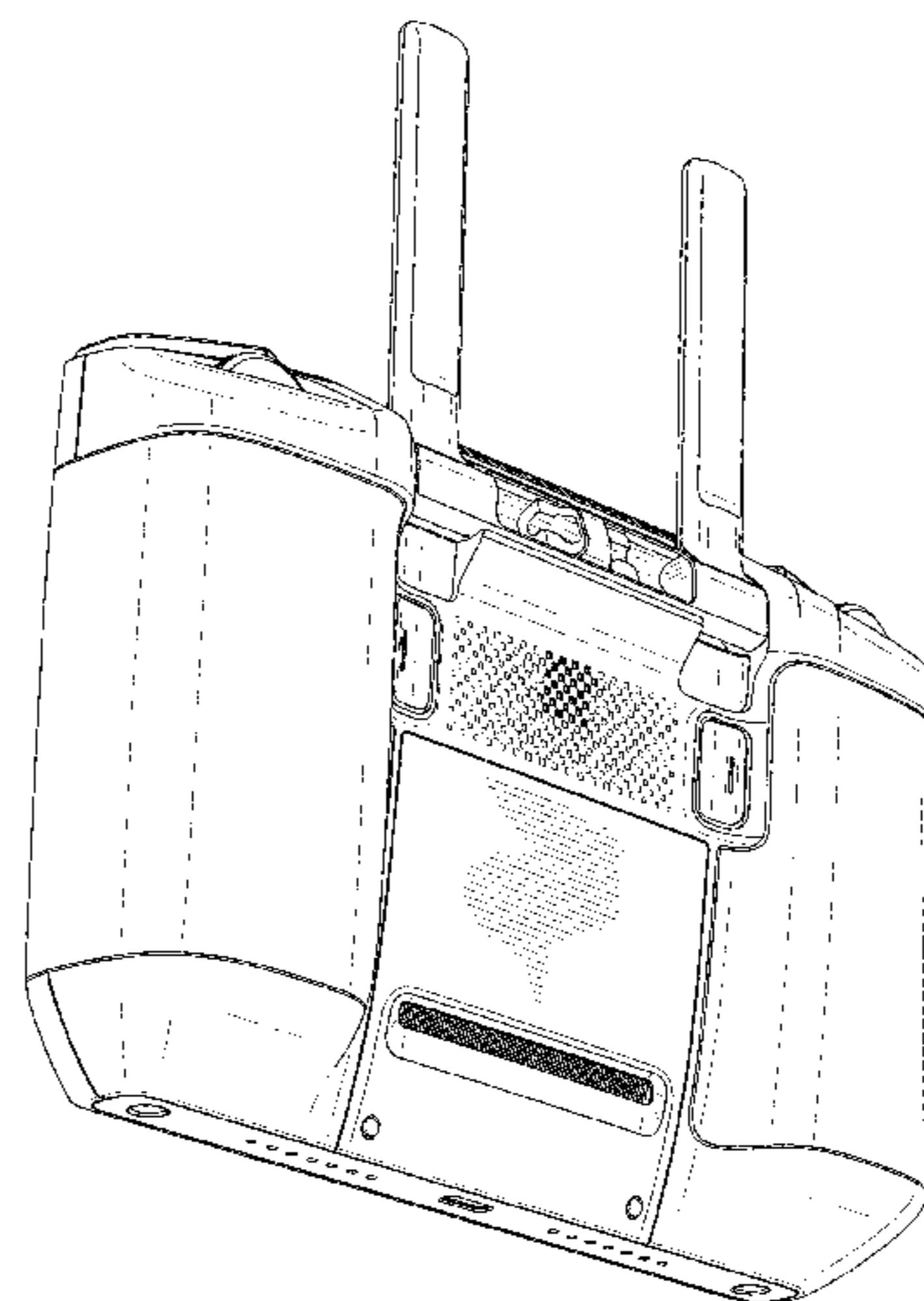
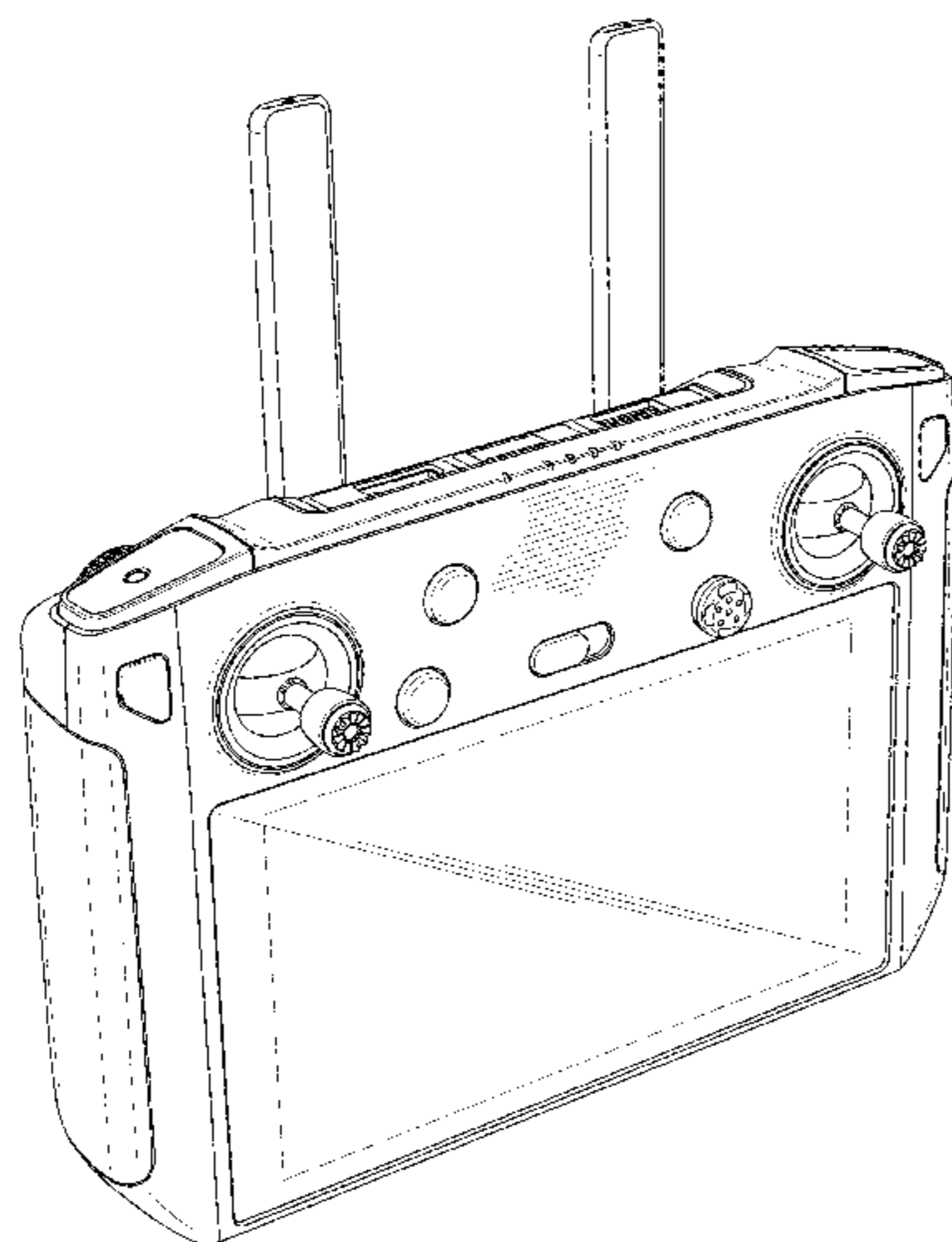
(57) **CLAIM**

The ornamental design for a controller, as shown and described.

DESCRIPTION

FIG. 1 is a top front perspective view of a controller showing the claimed design;
FIG. 2 is a bottom rear perspective view thereof;
FIG. 3 is a front view thereof;
FIG. 4 is a rear view thereof;
FIG. 5 is a left side view thereof;
FIG. 6 is a right side view thereof;
FIG. 7 is a top view thereof; and,
FIG. 8 is a bottom view thereof.

1 Claim, 6 Drawing Sheets



(56)

References Cited

OTHER PUBLICATIONS

Evolve Remote Controller; prior to Jul. 20, 2017; 1 pg.; https://www.google.com/search?q=drone+controller&hl=en&biw=1536&bih=813&source=Int&tbs=cdr%3A1%2Ccd_min%3A%2Ccd_max%3A7%2F20%2F2017&tbm=isch#imgrc=2SXLn0zWHipBRM:&spf=1562025333940.*

Amazon.com, Drone Fans 2pc. remote controller; prior to Jul. 20, 2017; 1 pg.; https://www.google.com/search?q=drone+controller&hl=en&biw=1536&bih=813&source=Int&tbs=cdr%3A1%2Ccd_min%3A%2Ccd_max%3A7%2F20%2F2017&tbm=isch#imgrc=x10QCVIsi1kPIM:&spf=1562025333940.*

Yuneec Remote Control ; prior to Jul. 20, 2017; 1 pg.; https://www.google.com/search?q=drone+controller&hl=en&biw=1536&bih=813&source=Int&tbs=cdr%3A1%2Ccd_min%3A%2Ccd_max%3A7%2F20%2F2017&tbm=isch#imgrc=Pb2uDnCZr6dNjM:&spf=1562025333944.*

* cited by examiner

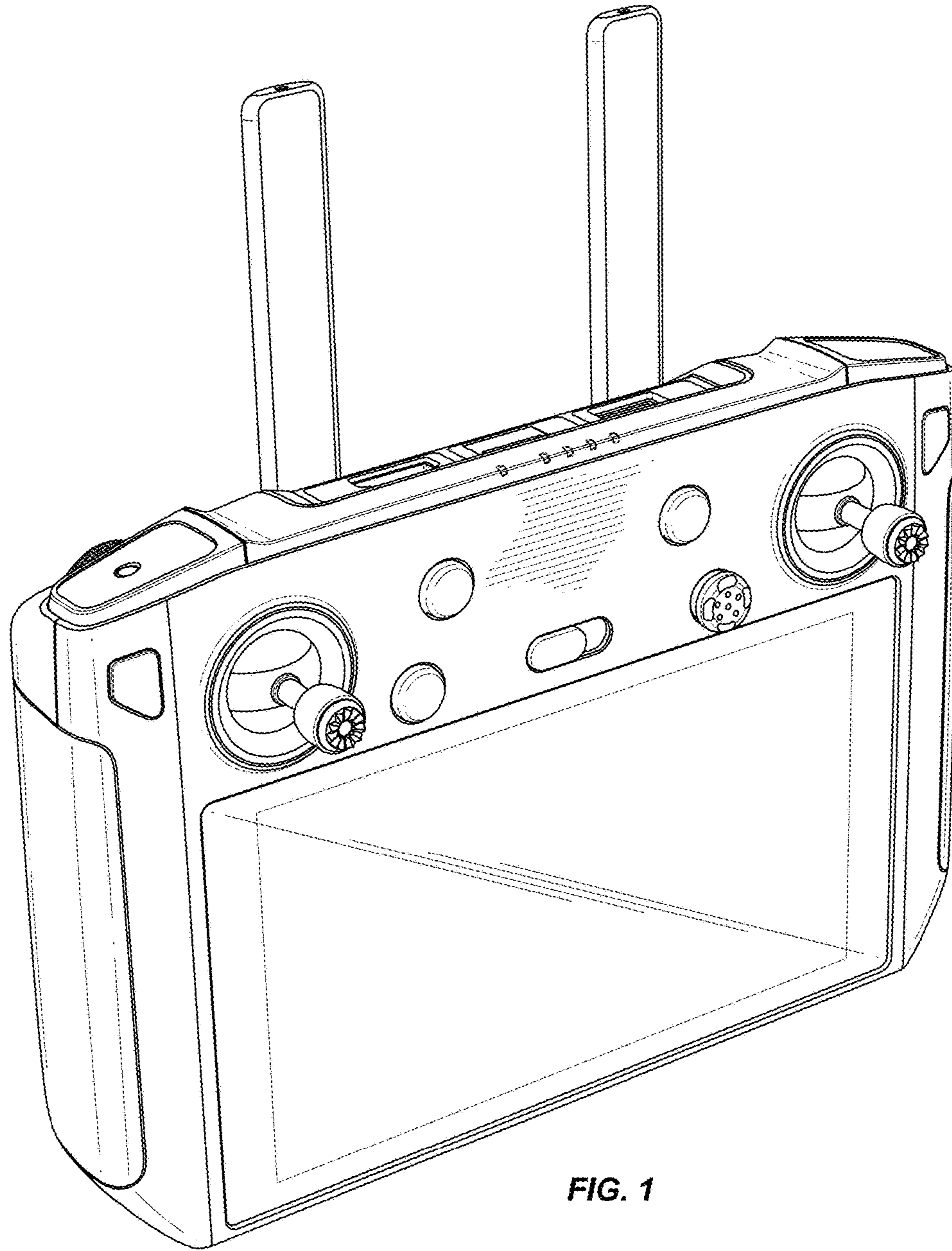


FIG. 1

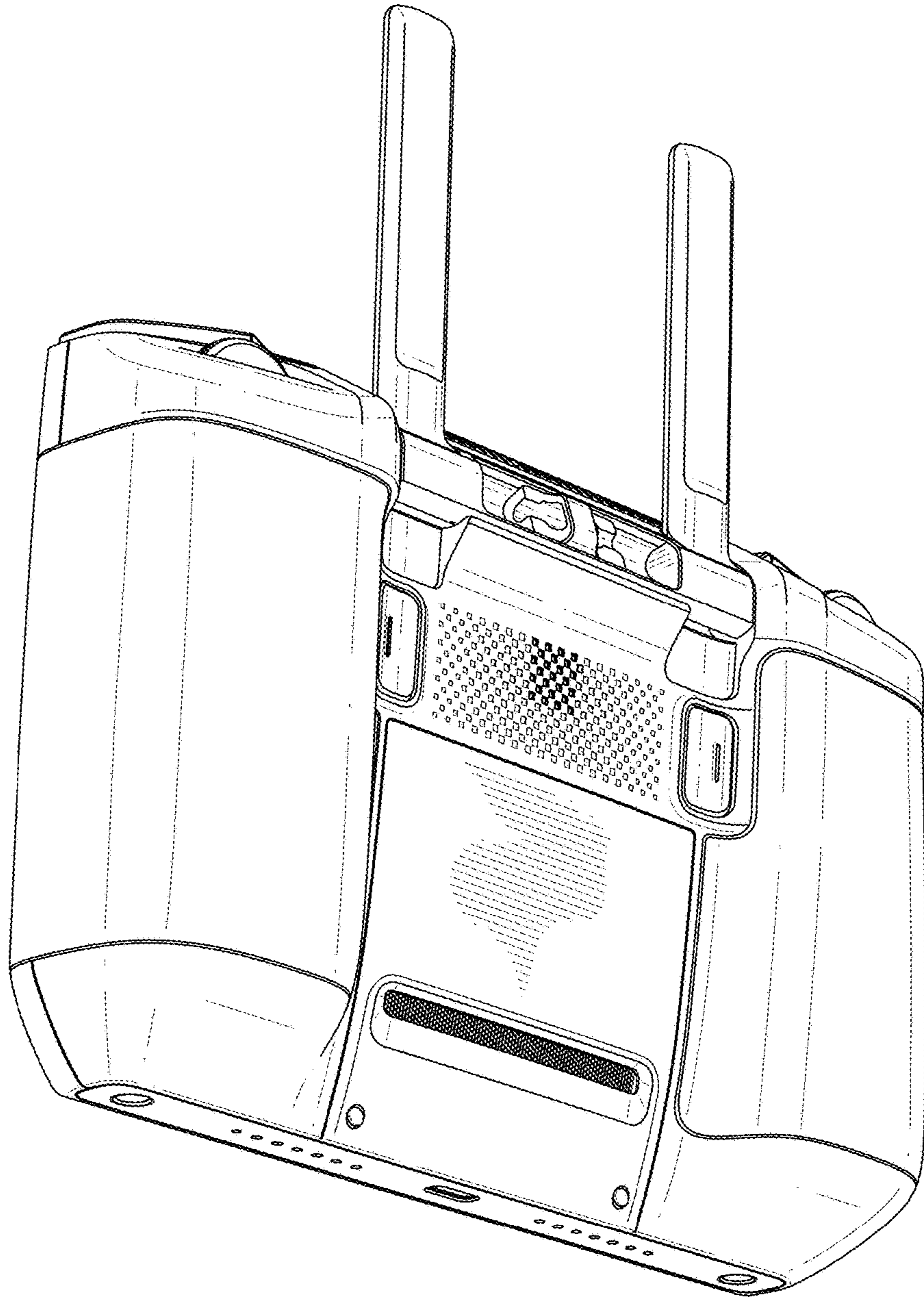


FIG. 2

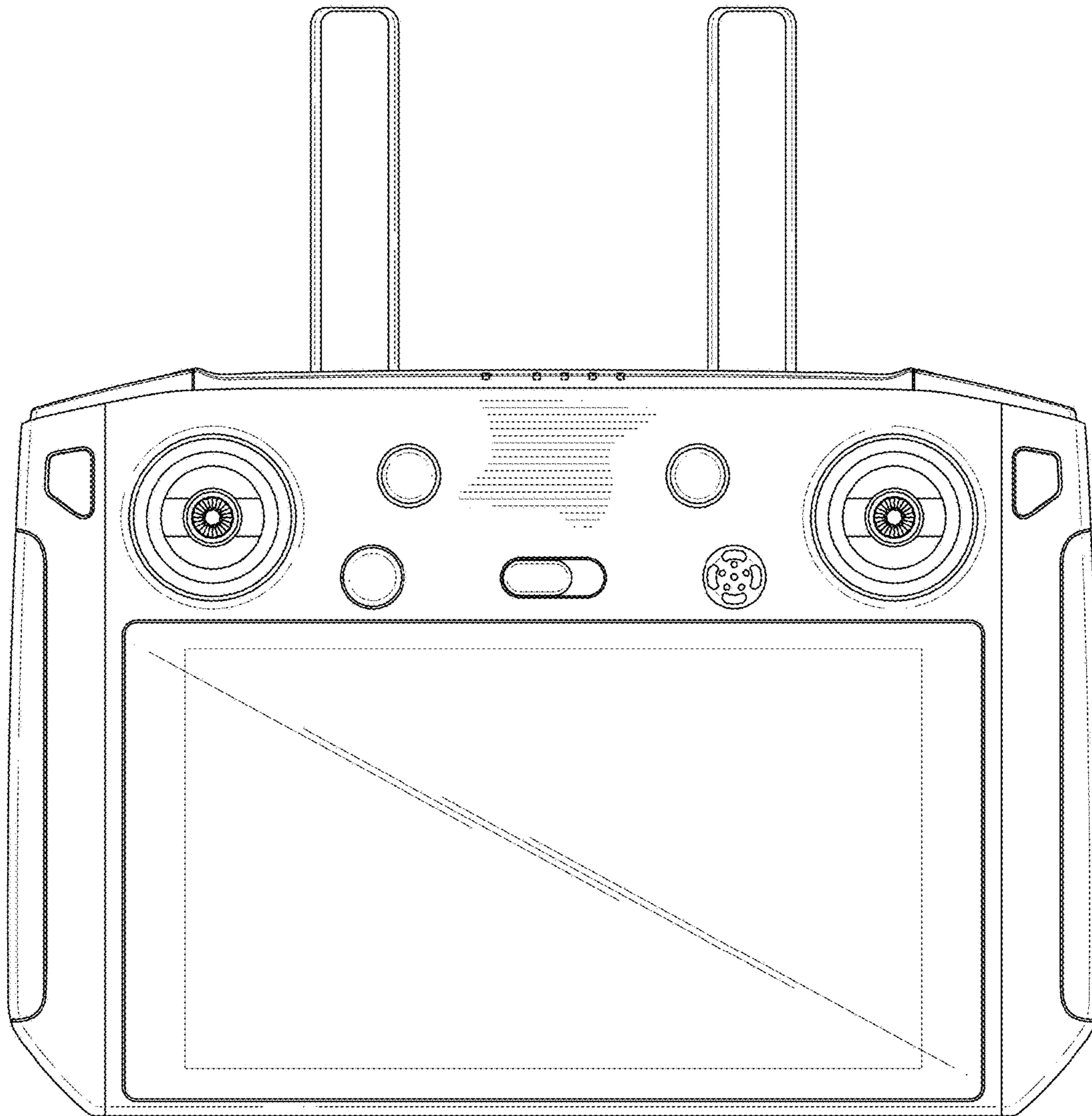


FIG. 3

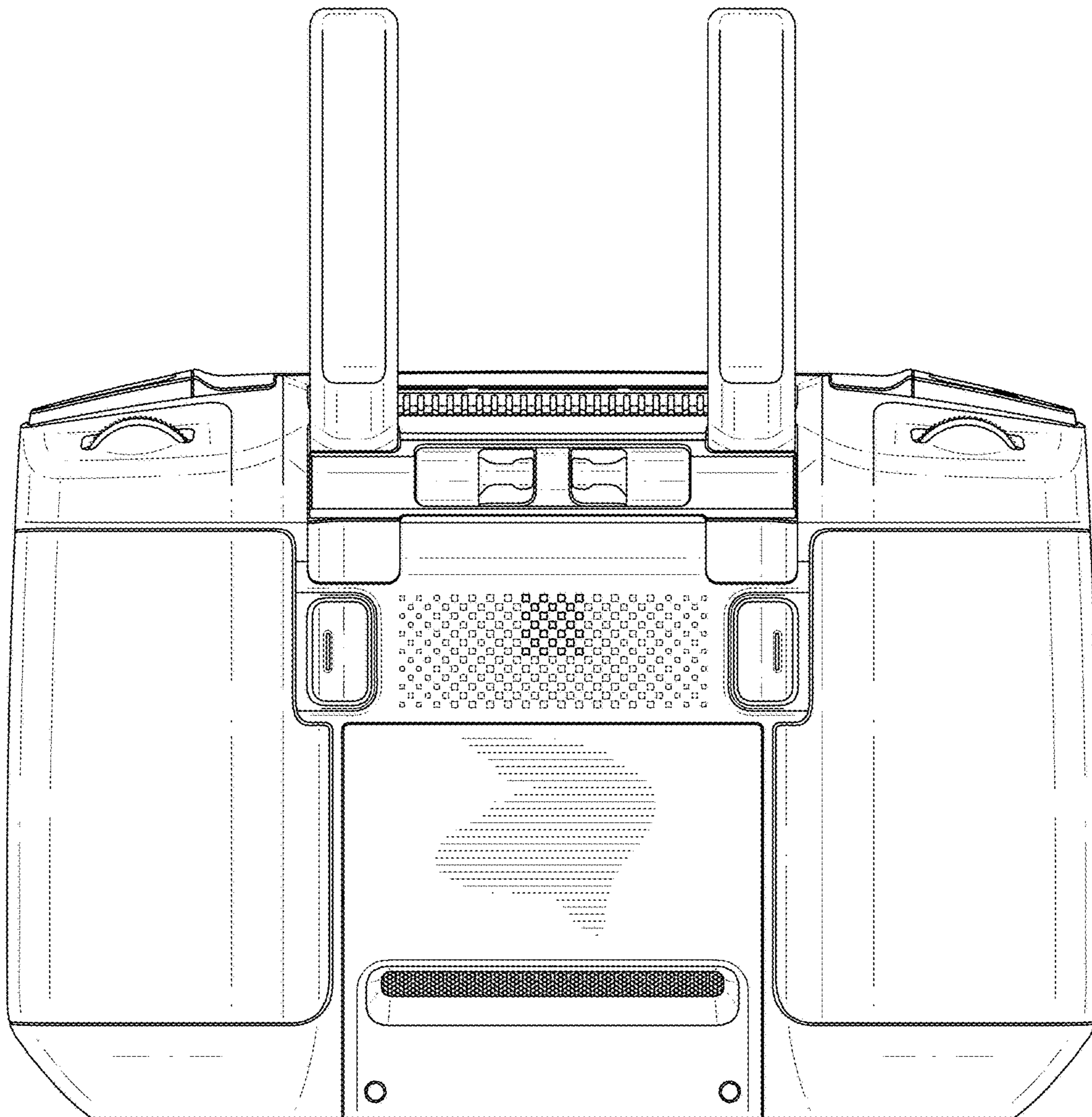


FIG. 4

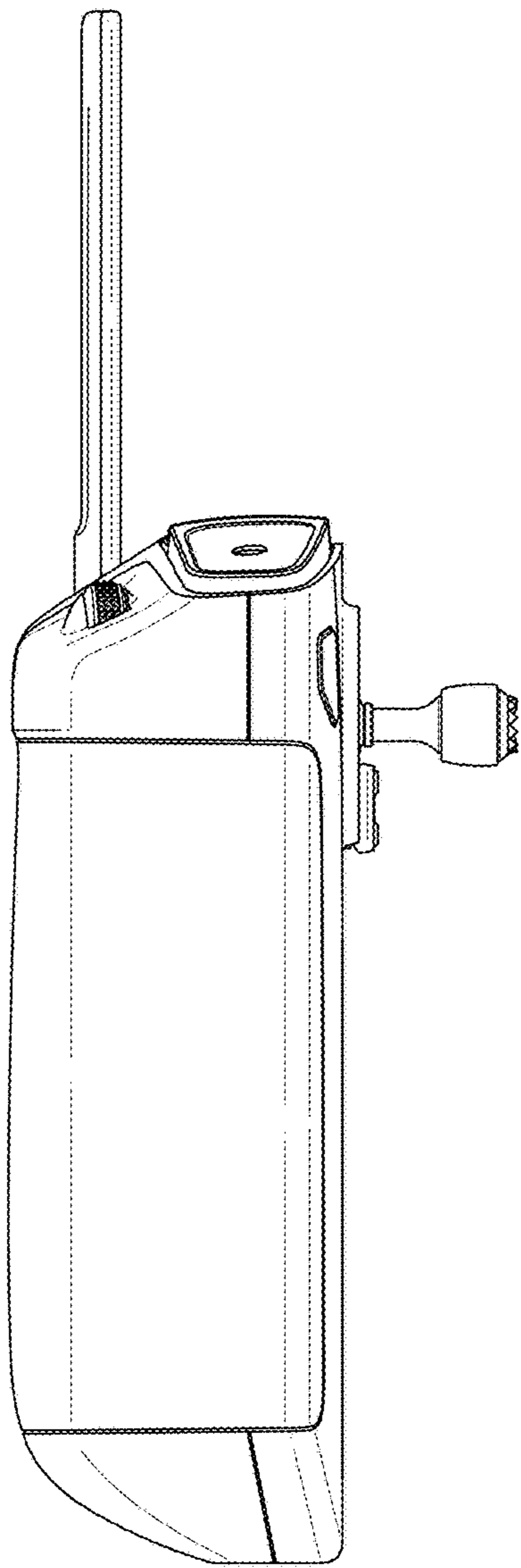


FIG. 5

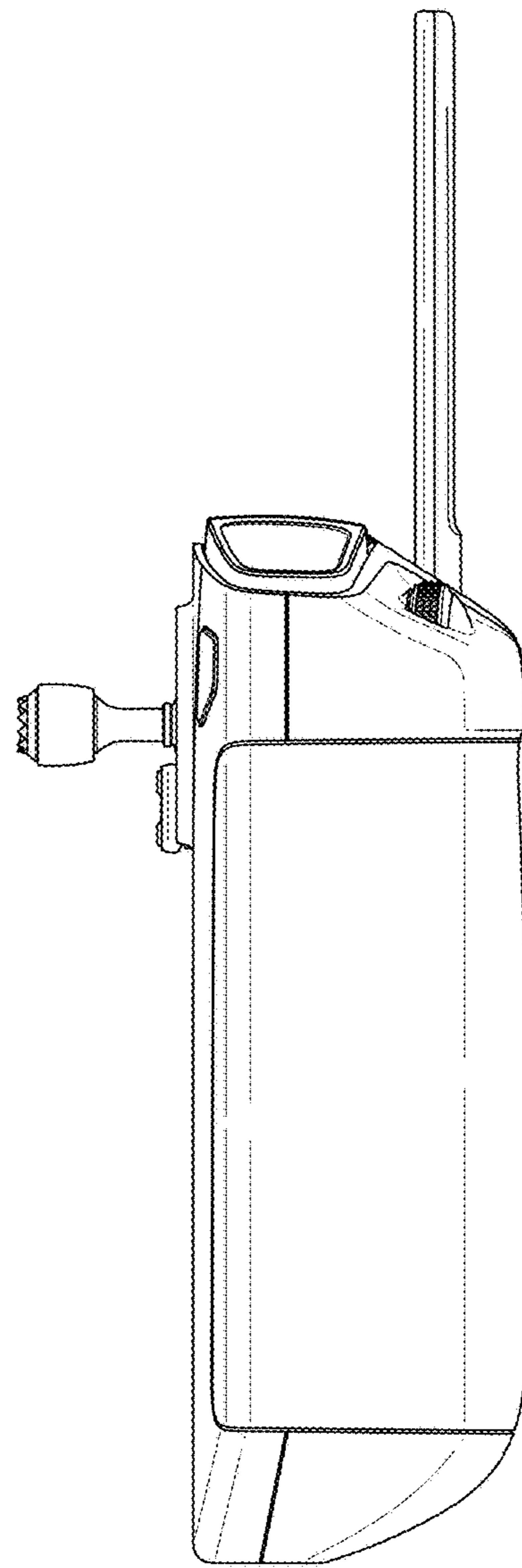


FIG. 6

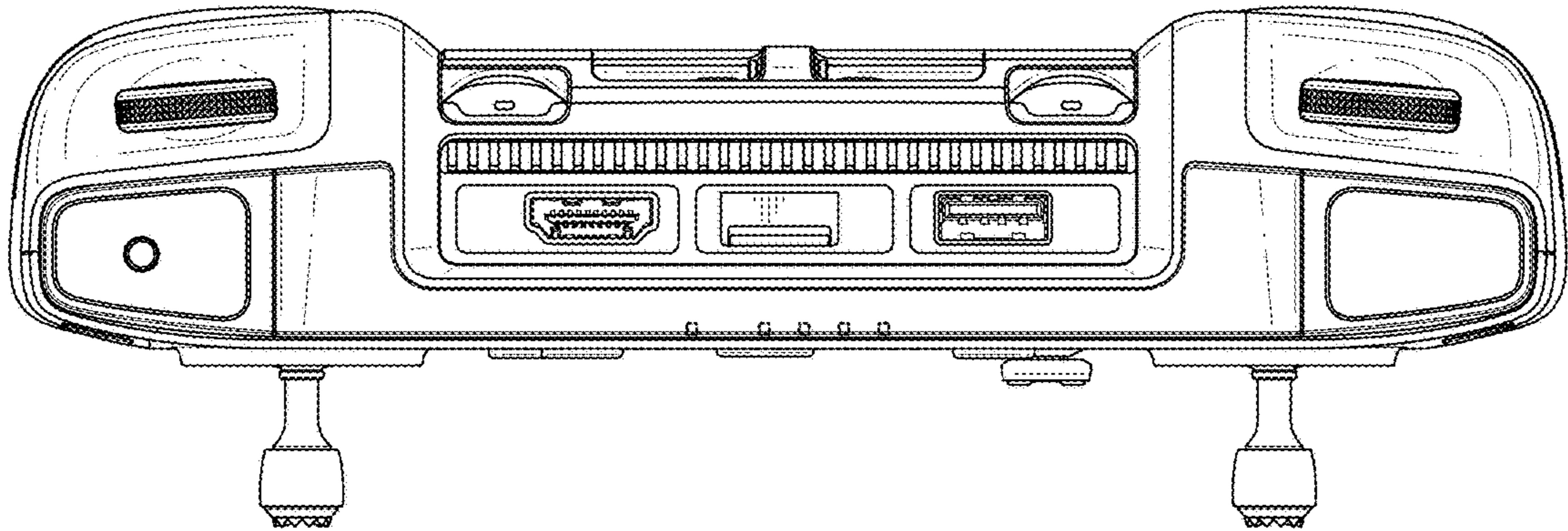


FIG. 7

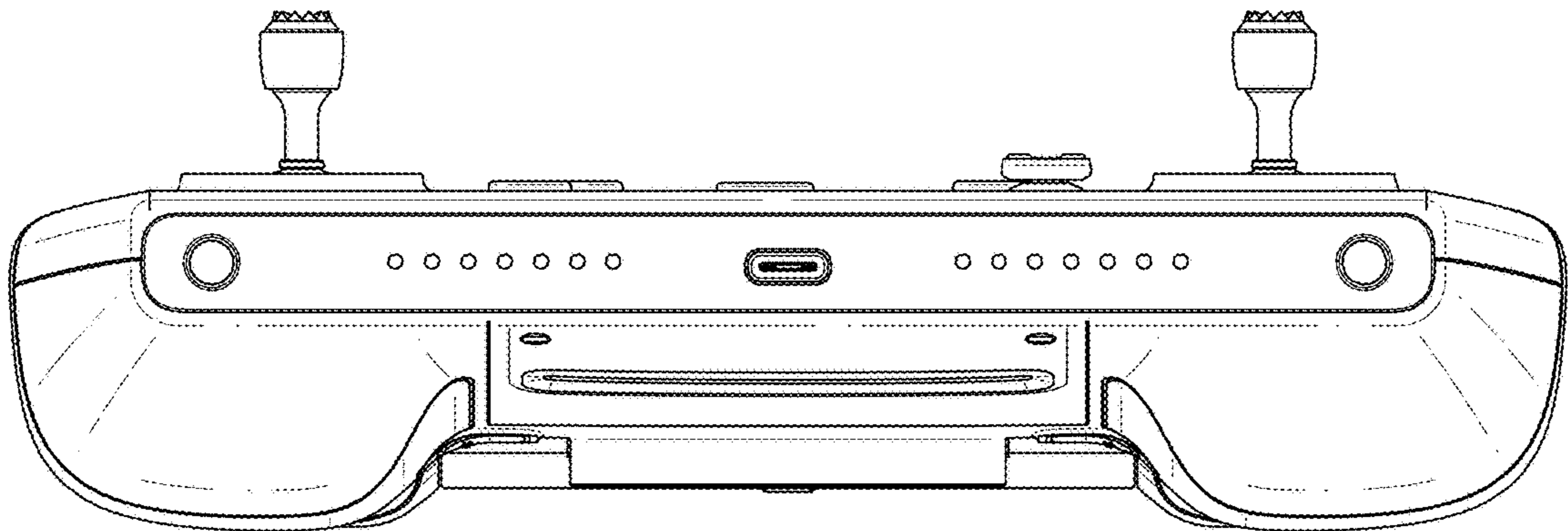


FIG. 8