



US00D868176S

(12) **United States Design Patent** (10) **Patent No.:** **US D868,176 S**
Sprowl et al. (45) **Date of Patent:** **** *Nov. 26, 2019**

(54) **TIRE TREAD FOR A MODEL VEHICLE**
(71) Applicant: **TRAXXAS LP**, McKinney, TX (US)
(72) Inventors: **Jory Sprowl**, Wolfe City, TX (US);
Otto Karl Allmendinger, Rowlett, TX (US)
(73) Assignee: **TRAXXAS L.P.**, McKinney, TX (US)

D261,257 S 10/1981 Guidry
D296,544 S * 7/1988 Matsushita D12/591
D310,985 S 10/1990 Covert et al.
D313,582 S * 1/1991 Tsutsumi D12/550
D316,689 S 5/1991 Fujiki
5,259,429 A 11/1993 Harms
D379,442 S 5/1997 Ratliff, Jr.
D384,013 S 9/1997 Thomas
D391,211 S 2/1998 Maxwell

(*) Notice: This patent is subject to a terminal disclaimer.
(**) Term: **15 Years**

(21) Appl. No.: **29/591,432**
(22) Filed: **Jan. 19, 2017**
(51) **LOC (12) Cl.** **21-01**
(52) **U.S. Cl.**

(58) **Field of Classification Search**
USPC **D21/563**; D12/500
CPC B60C 11/00; B60C 2011/0337; B60C 2011/0339; B60C 2011/0386; B60C 3/00; B60C 3/08; B60C 1/00; B60C 2200/00; B60C 2200/02; B60C 2200/04; B60C 2200/06; B60C 2200/065; B60C 2200/08; B60C 2200/10; B60C 2200/12; B60C 2200/14; B60C 7/00; B60C 7/02; B60C 7/04; B60C 7/06; B60C 7/08; B60C 5/00; B60C 13/00
See application file for complete search history.

(56) **References Cited**
U.S. PATENT DOCUMENTS
D208,685 S 9/1967 Evans, Jr.
D260,012 S 7/1981 Candiliotis

OTHER PUBLICATIONS

Traxxas [online] found on Jan. 2, 2018 from URL <https://traxxas.com/products/parts/8369?t=overview>.
(Continued)

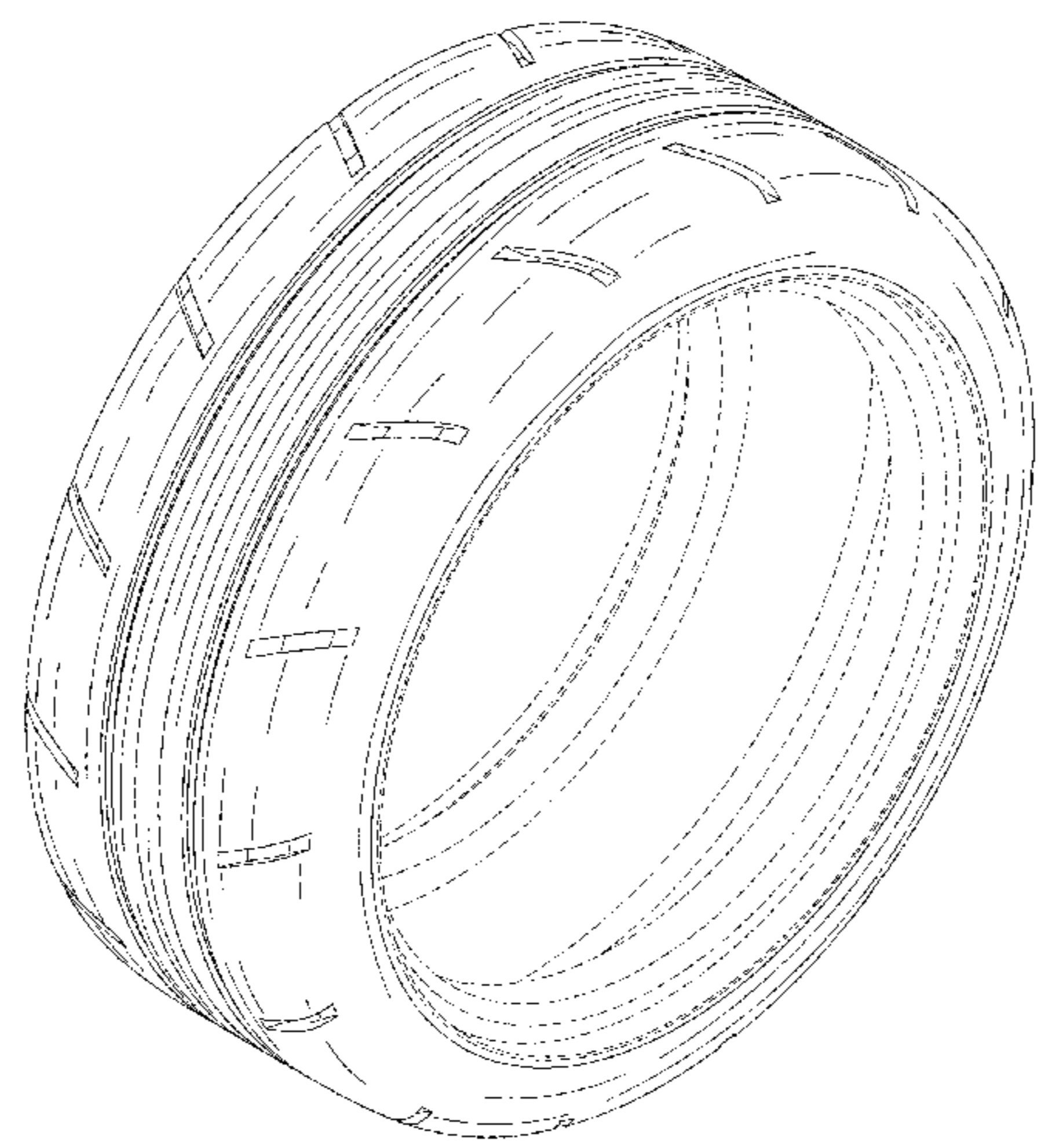
Primary Examiner — Robin V Webster
Assistant Examiner — Keith J Wilson
(74) *Attorney, Agent, or Firm* — Daryl R. Wright; Greg Carr

(57) **CLAIM**
We claim the ornamental design for a tire tread for a model vehicle, as shown and described.

DESCRIPTION

FIG. 1 is a top, left, front perspective view of a tire tread for a model vehicle;
FIG. 2 is front elevation view thereof;
FIG. 3 is a top plan view thereof;
FIG. 4 is a left side elevation view thereof;
FIG. 5 is a right side elevation view thereof; and,
FIG. 6 is a top, left, front perspective view of a tire tread for a model vehicle mounted on a model vehicle platform.
The broken line showing of a model vehicle platform is provided for the purposes of illustrating environmental structure and form no part of the claimed design; whereas, the broken lines depicting the interior of the tire tread for a model vehicle represent portions of the article that form no part of the claimed design.

1 Claim, 6 Drawing Sheets



(56)

References Cited

U.S. PATENT DOCUMENTS

D400,141 S 10/1998 Maxwell
 D428,587 S 7/2000 Maxwell
 6,142,200 A * 11/2000 Feider B60C 11/0309
 152/209.14
 D441,697 S 5/2001 Allison
 D445,379 S 7/2001 Guspodin et al.
 D445,381 S 7/2001 Guspodin et al.
 D456,344 S 4/2002 Rooney
 D483,718 S 12/2003 Hutz
 D487,057 S 2/2004 Rooney et al.
 D492,644 S 7/2004 Maxwell
 D492,931 S 7/2004 Maxwell et al.
 D496,328 S 9/2004 Shondel et al.
 D500,010 S * 12/2004 Maziarka D12/590
 D504,656 S 5/2005 Green et al.
 D505,382 S 5/2005 Green et al.
 D505,385 S 5/2005 Green et al.
 6,920,906 B2 7/2005 Allison et al.
 D508,674 S 8/2005 Dumigan et al.
 D511,738 S 11/2005 Maxwell
 D512,369 S 12/2005 Lo
 D512,959 S 12/2005 Fukunaga
 D514,501 S 2/2006 Nishimori
 D522,450 S 6/2006 Gerasimczuk
 D524,725 S 7/2006 Gerasimczuk
 D534,485 S 1/2007 Nakamura
 D534,487 S 1/2007 Dumigan et al.
 D535,248 S 1/2007 Ashton et al.
 D535,610 S 1/2007 Morito et al.
 D535,611 S 1/2007 Sundkvist et al.
 D544,830 S 6/2007 Umstot et al.
 D556,673 S 12/2007 Missik-Gaffney et al.
 D556,674 S 12/2007 Missik-Gaffney et al.
 D568,233 S 5/2008 Dixon et al.
 D577,658 S 9/2008 Murata
 D594,401 S 6/2009 Guidry
 D601,487 S 10/2009 Ebel et al.
 D619,529 S * 7/2010 Georges D12/590
 D621,342 S 8/2010 Osaka
 D627,709 S 11/2010 Harvey et al.
 D632,244 S 2/2011 Green
 D634,265 S 3/2011 Shan et al.

D653,195 S 1/2012 Sareen
 D653,196 S * 1/2012 Buchinger-Barnstorf ... D12/582
 D653,198 S * 1/2012 Buchinger-Barnstorf ... D12/585
 D668,204 S * 10/2012 Leendertse D12/518
 D671,486 S 11/2012 Rooney et al.
 D691,943 S 10/2013 Ma
 D706,707 S * 6/2014 Jacobs D12/518
 D707,620 S 6/2014 Barajas et al.
 D709,435 S * 7/2014 Jacobs D12/518
 D713,328 S 9/2014 Umstot et al.
 D719,083 S 12/2014 Hayashi
 D732,463 S 6/2015 Petr et al.
 D743,874 S * 11/2015 Philipot D12/518
 D753,056 S 4/2016 Kuwano
 D767,474 S 9/2016 Reim et al.
 D775,061 S 12/2016 Ishiguro et al.
 D781,777 S 3/2017 Hayashi
 D783,510 S 4/2017 Thornburg
 D785,548 S 5/2017 Fukunaga
 D791,687 S 7/2017 Sueyoshi
 D795,796 S 8/2017 Johnson
 D796,426 S 9/2017 Liu

OTHER PUBLICATIONS

“Goodyear Tires, “Wrangler MT/R” web page;http://www.goodyear.com/goodyeartireselector/display_tire.jsp?prodline=Wrangler+MT%2FR&mrktarea=Light+Truck&treadwidth=&aspectratio=&rimdiameter=&sidewall”.
 Interco Tire, “TM Appl’n. No. 74279000” Interco Tire Corporation, Rayne LA USA, May 27, 1992.
 Traxxas, www.traxxas.com archive web page Jul. 10, 2004, Traxxas LP, Plano TX USA, Jul. 10, 2004.
 Traxxas, “REVO Owners Manual”, Traxxas LP, Plano TX USA; Jul. 2004.
 Traxxas, “REVO Service and Support Guide / Parts List”, Traxxas LP, Plano TX USA; Jul. 2004.
 Traxxas, “REVO Power.Precision.Balance” product announcement web pages, [traxxas.com](http://www.traxxas.com); Traxxas LP, Plano, TX USA, Apr. 8, 2004.
 Kumho Tire; <http://www.kumhousa.com/tire/category/truck-suv/F8656BD8-0A87-4166-82B5-0DF52D4AC17E>; Sep. 2016.
 Traxxas; Tires, Maxx AT; Sep. 2016.

* cited by examiner

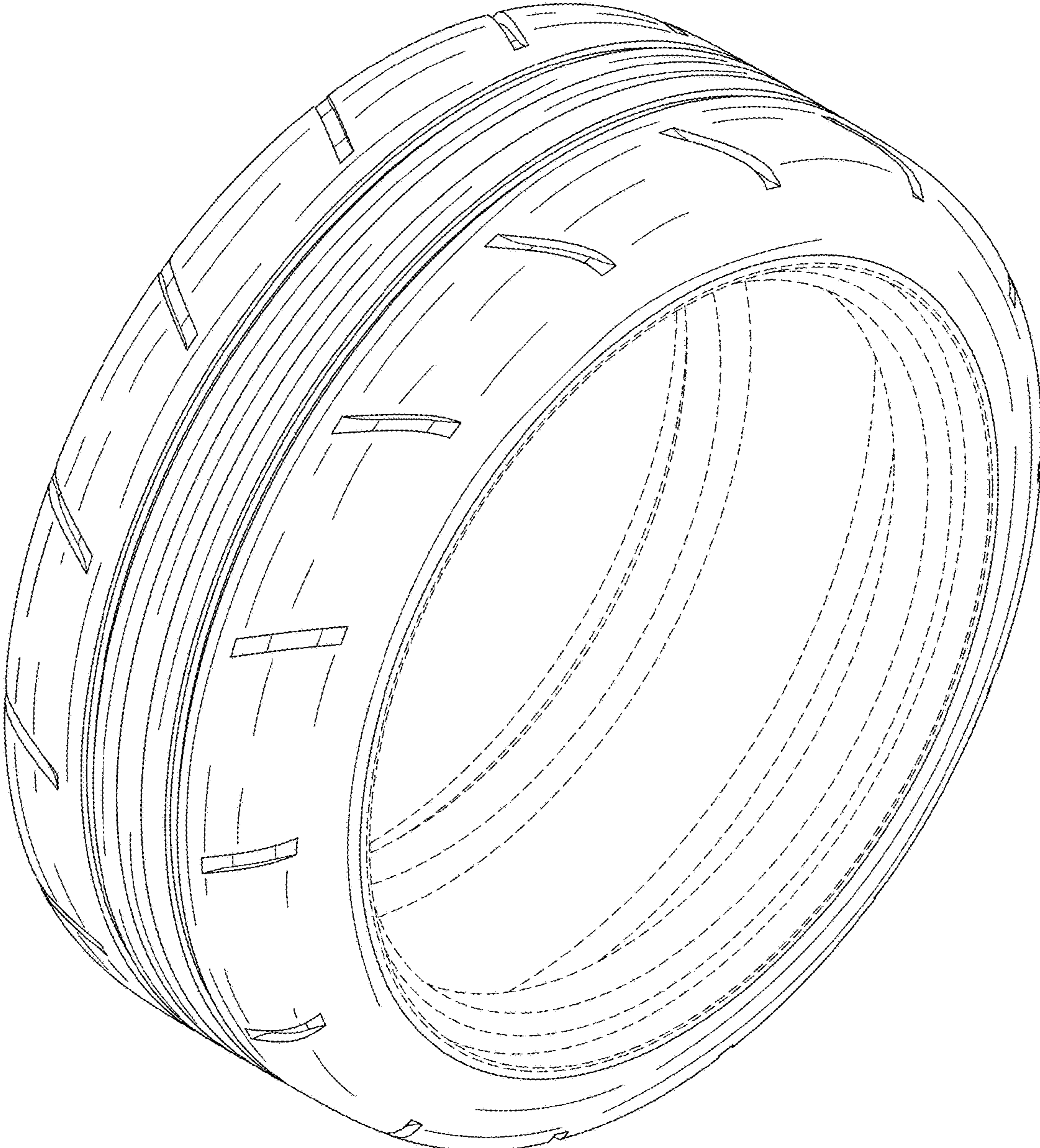


FIG. 1

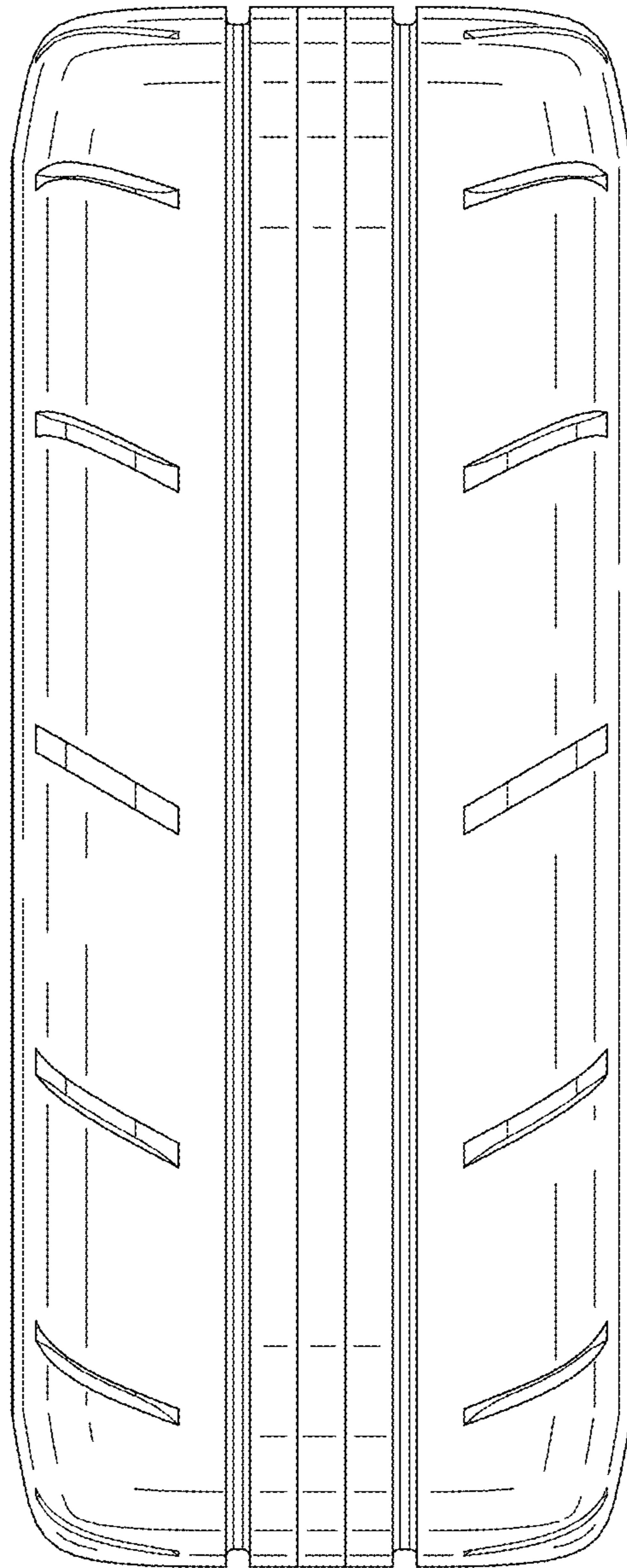


FIG. 2

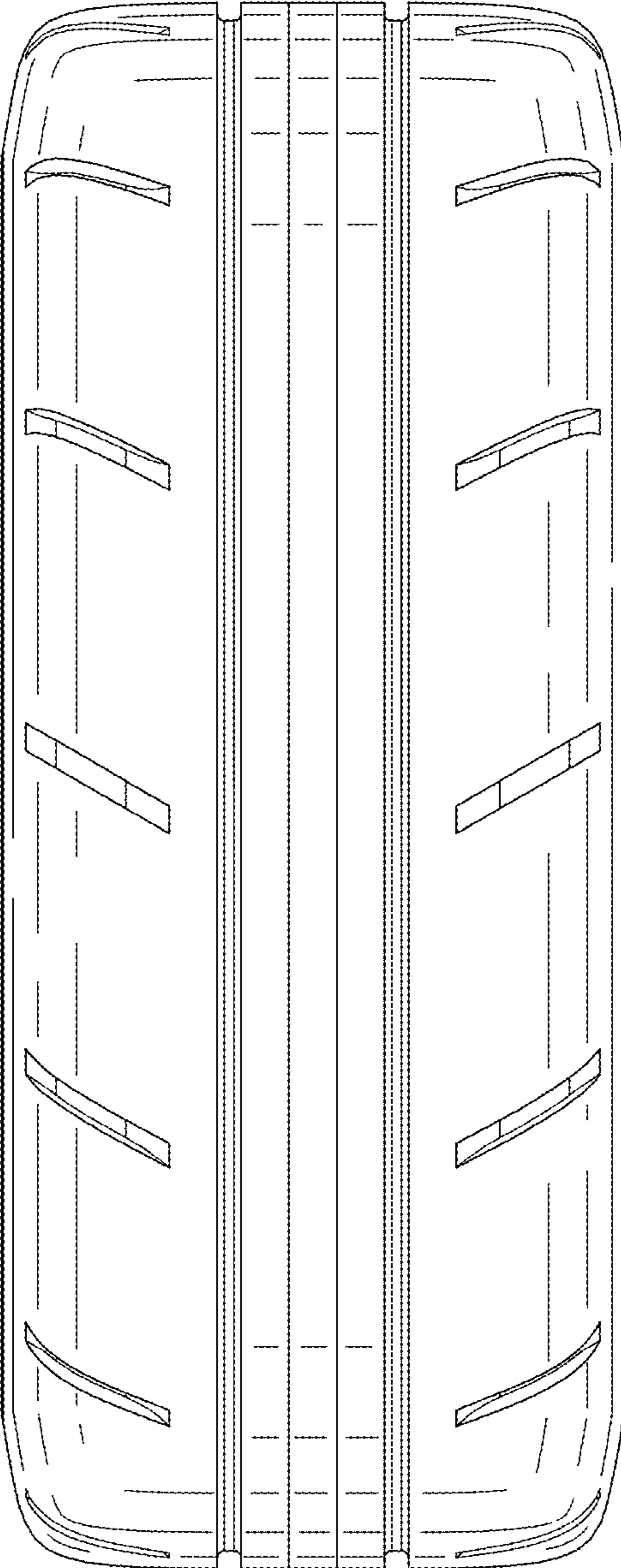


FIG. 3

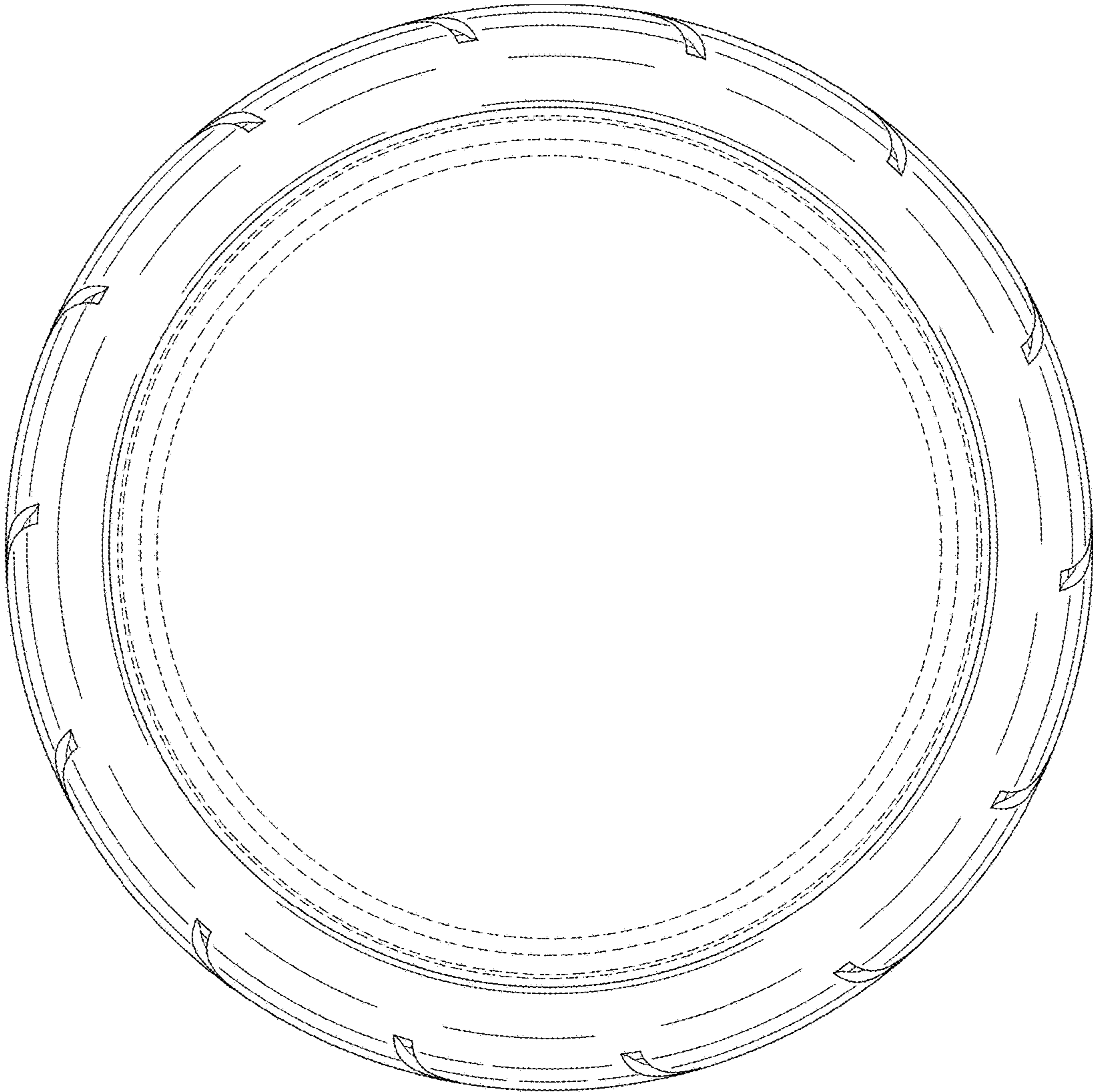


FIG. 4

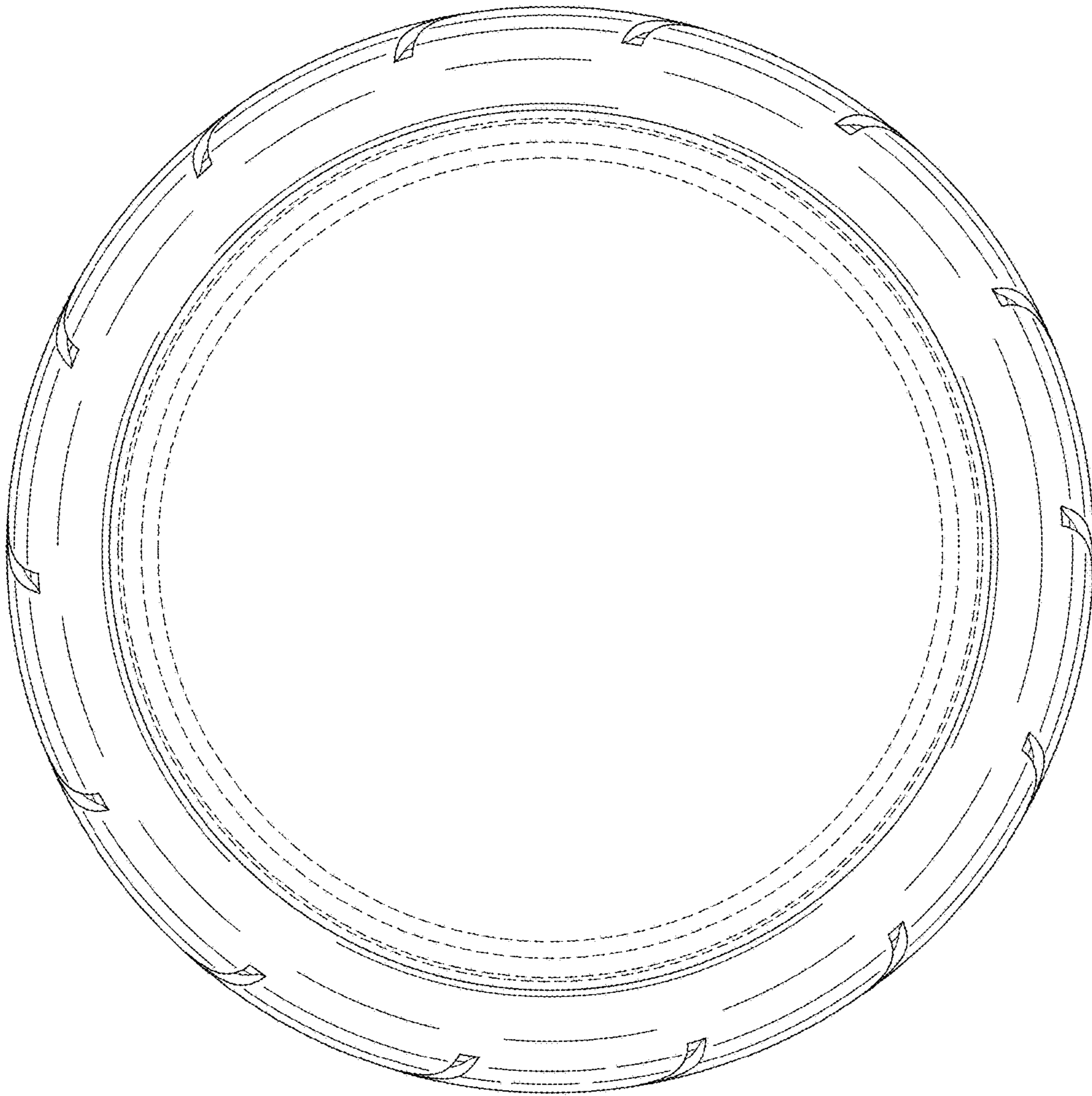


FIG. 5

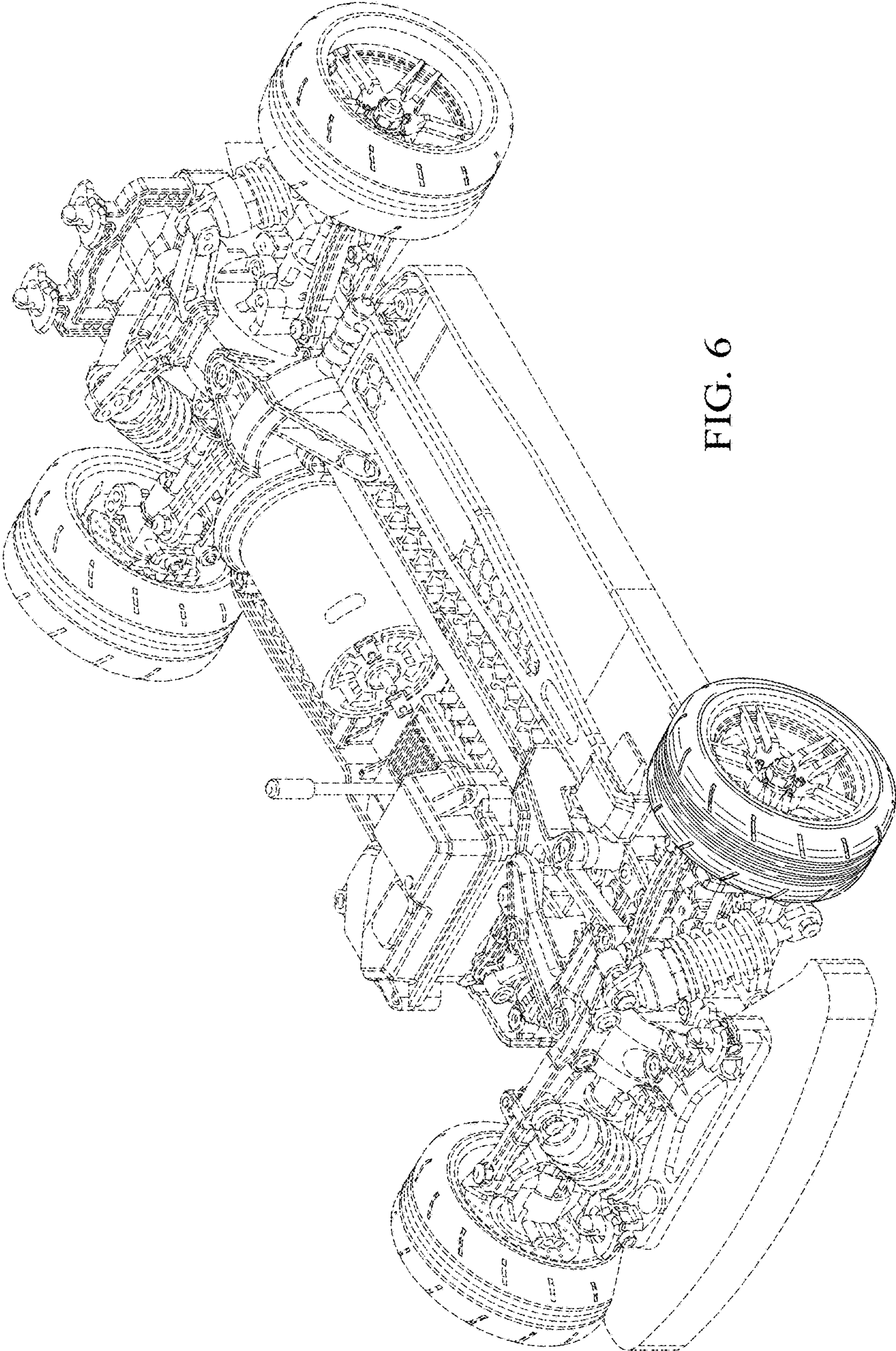


FIG. 6