



US00D868173S

(12) **United States Design Patent**  
**Chen**

(10) **Patent No.:** **US D868,173 S**

(45) **Date of Patent:** **\*\* Nov. 26, 2019**

(54) **TOY CEMENT TRUCK**  
(71) Applicant: **Bo Chen**, Guangdong (CN)  
(72) Inventor: **Bo Chen**, Guangdong (CN)  
(73) Assignee: **Shantou P&C Plastic Products Company Limited**, Guangdong (CN)  
(\*\*) Term: **15 Years**  
(21) Appl. No.: **29/666,367**  
(22) Filed: **Oct. 12, 2018**

D288,577 S \* 3/1987 Ohno ..... D21/580  
D311,041 S \* 10/1990 Shinohara ..... D21/580  
D312,488 S \* 11/1990 Kwan ..... D21/551  
5,372,534 A \* 12/1994 Levy ..... A63H 17/26  
180/209  
D390,891 S \* 2/1998 Xu ..... D21/553  
D421,073 S \* 2/2000 Wei ..... 15/25  
D425,142 S \* 5/2000 Wei ..... D21/552  
D443,318 S \* 6/2001 Tse ..... D21/559  
D454,602 S \* 3/2002 Tse ..... D21/552  
D721,769 S \* 1/2015 Johnson ..... D21/552  
D771,202 S \* 11/2016 Gan ..... D21/552  
D771,203 S \* 11/2016 Gan ..... D21/552  
D827,038 S \* 8/2018 Exley ..... D21/434  
D840,477 S \* 2/2019 Flores ..... D21/548  
D852,900 S \* 7/2019 Zhou ..... D21/552  
2014/0170932 A1 \* 6/2014 Lee ..... A63H 17/26  
446/409

(30) **Foreign Application Priority Data**

Jul. 17, 2018 (CN) ..... ZL201830384874.0

(51) **LOC (12) Cl.** ..... **21-01**

(52) **U.S. Cl.**  
USPC ..... **D21/552**; D12/83

(58) **Field of Classification Search**  
USPC ..... D12/86, 88, 90–92, 164, 173, 184–186,  
D12/190, 196; D21/419, 421, 423–426,  
D21/433–434, 548, 549, 550, 552, 559,  
D21/561  
CPC .... A63H 17/26; A63H 17/262; A63H 17/264;  
A63H 17/266; A63H 17/36; A63H 17/38;  
A63H 29/00; A63H 29/22; A63H 29/24;  
A63H 30/04

See application file for complete search history.

(56) **References Cited**

**U.S. PATENT DOCUMENTS**

D226,013 S \* 1/1973 Toyotsugu ..... D21/553  
D262,391 S \* 12/1981 Kanaoki ..... D21/450  
D274,632 S \* 7/1984 Terui ..... D21/559  
D281,000 S \* 10/1985 Kuna ..... D21/559  
D281,987 S \* 12/1985 Catelli ..... D21/552

\* cited by examiner

*Primary Examiner* — Manpreet S Matharu

*Assistant Examiner* — Keith J Wilson

(74) *Attorney, Agent, or Firm* — Minder Law Group;  
Willy H. Wong

(57) **CLAIM**

The ornamental design for a toy cement truck, as shown and described.

**DESCRIPTION**

FIG. 1 is a front view of a toy cement truck in accordance with the present invention.

FIG. 2 is a back view thereof.

FIG. 3 is a right view thereof.

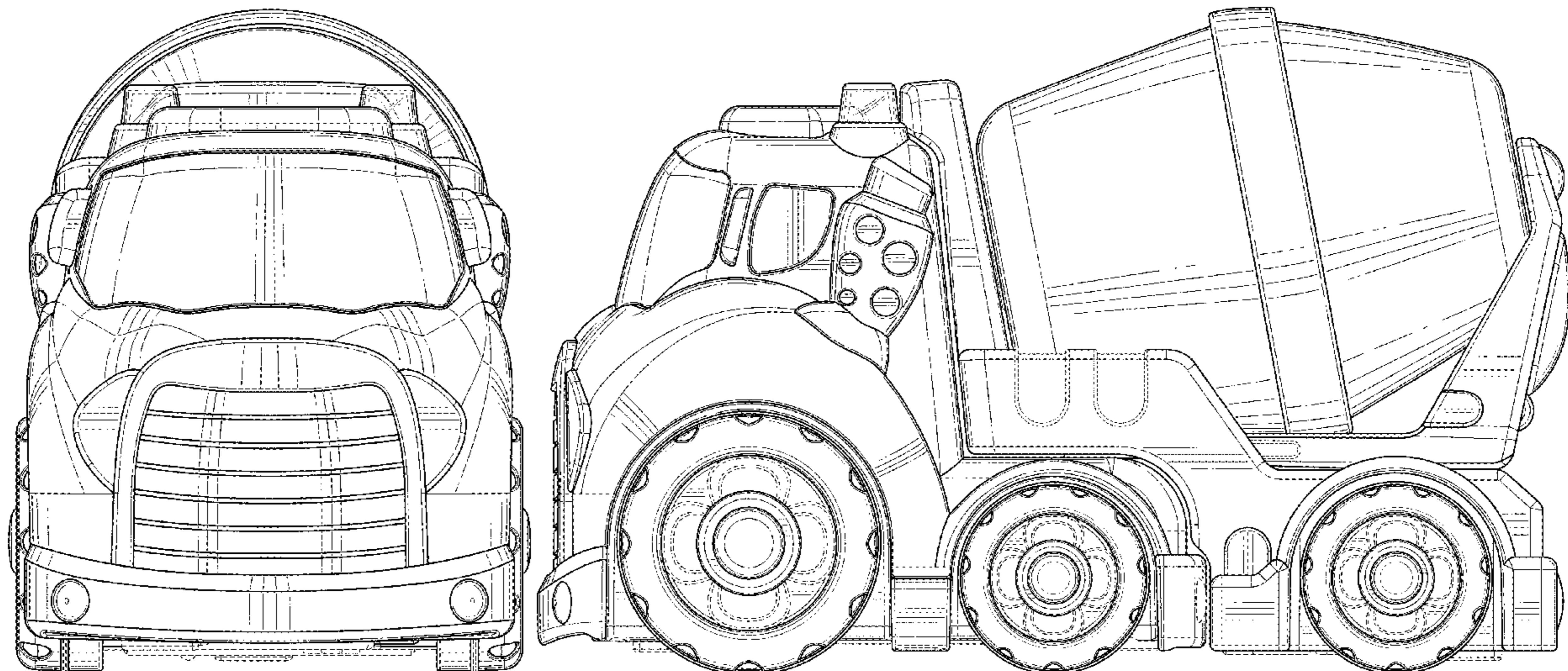
FIG. 4 is a left view thereof.

FIG. 5 is a top view thereof; and,

FIG. 6 is a bottom view thereof.

The broken lines show portions of the toy cement truck that form no part of the claimed design.

**1 Claim, 6 Drawing Sheets**



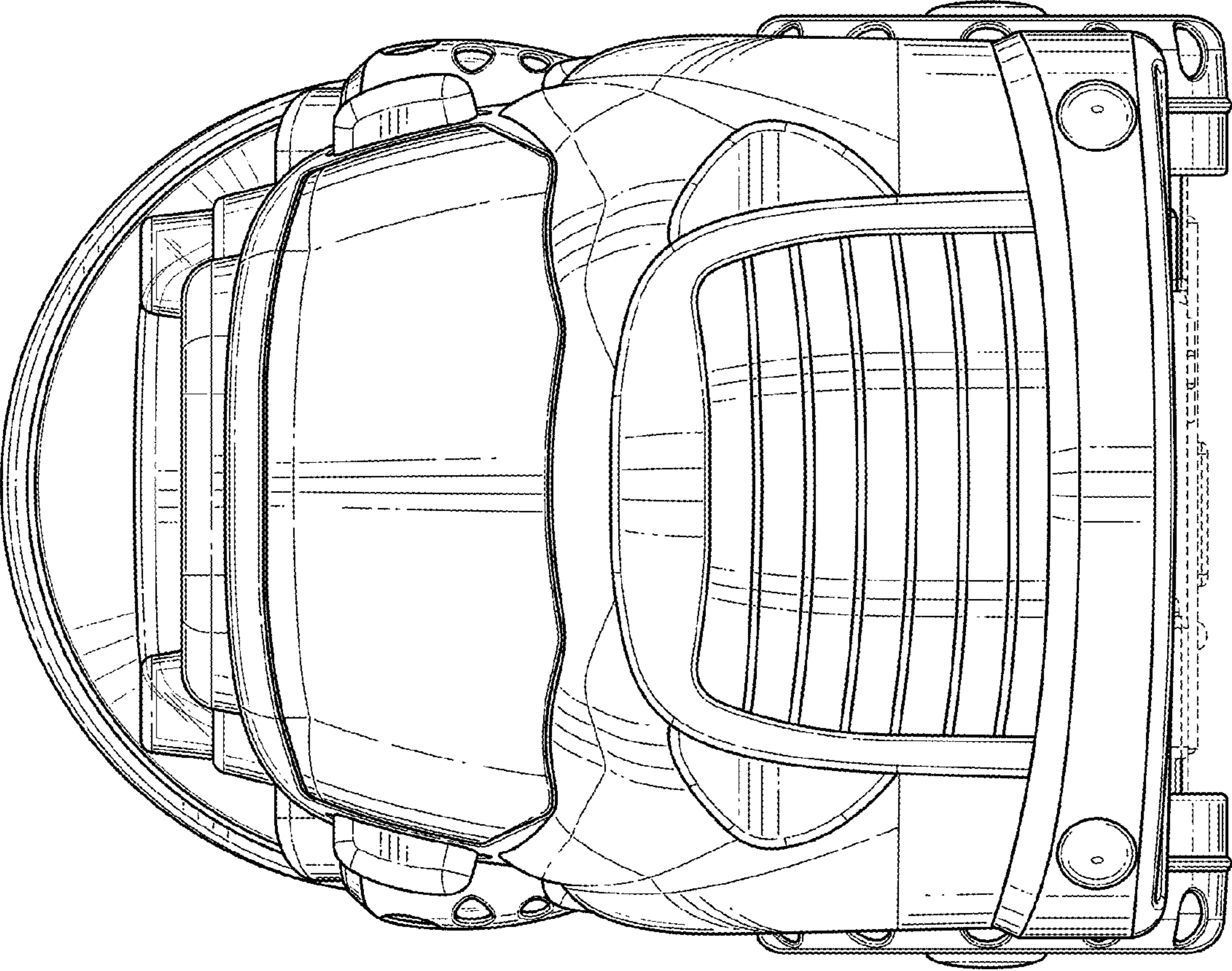


FIG. 1



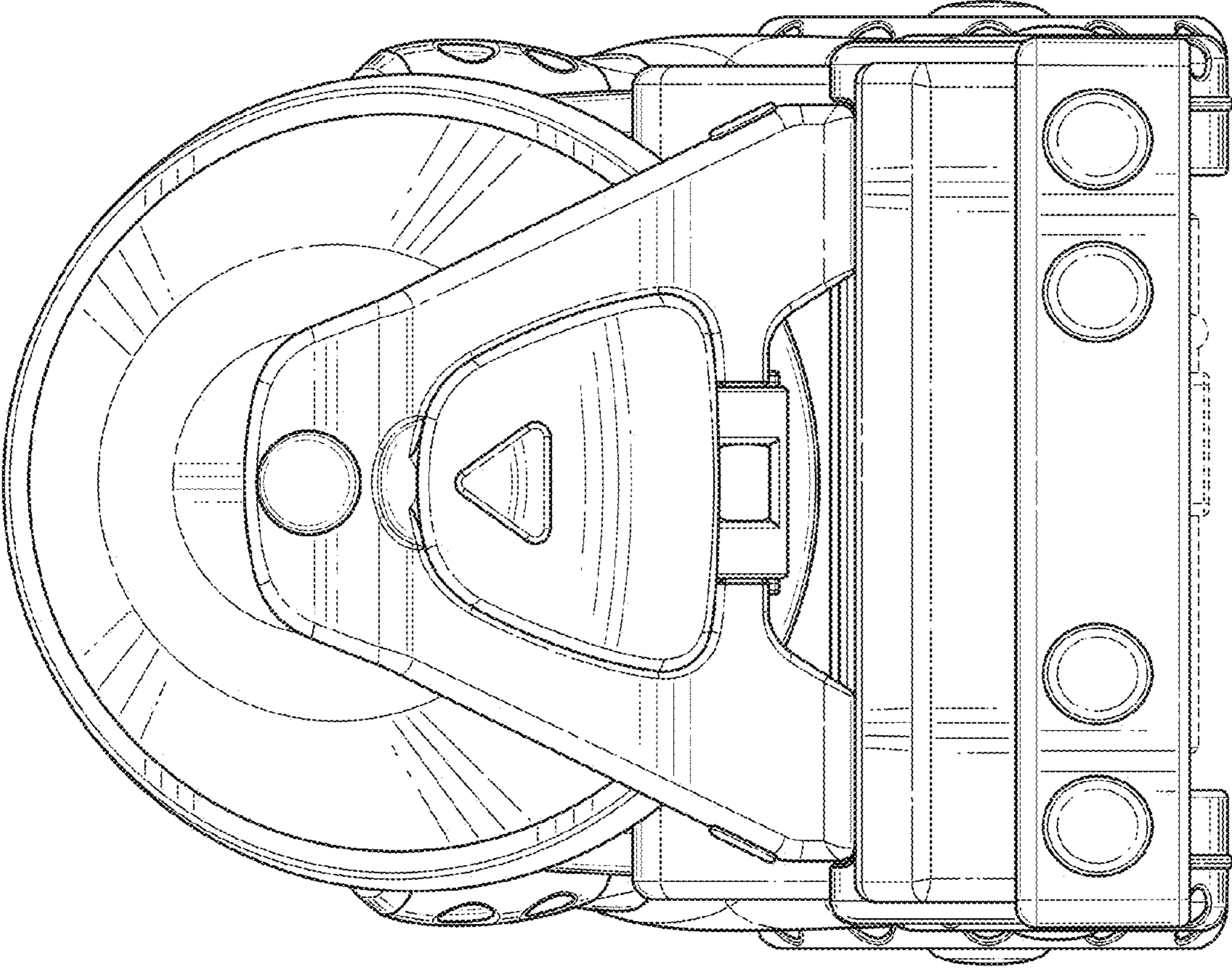


FIG. 2

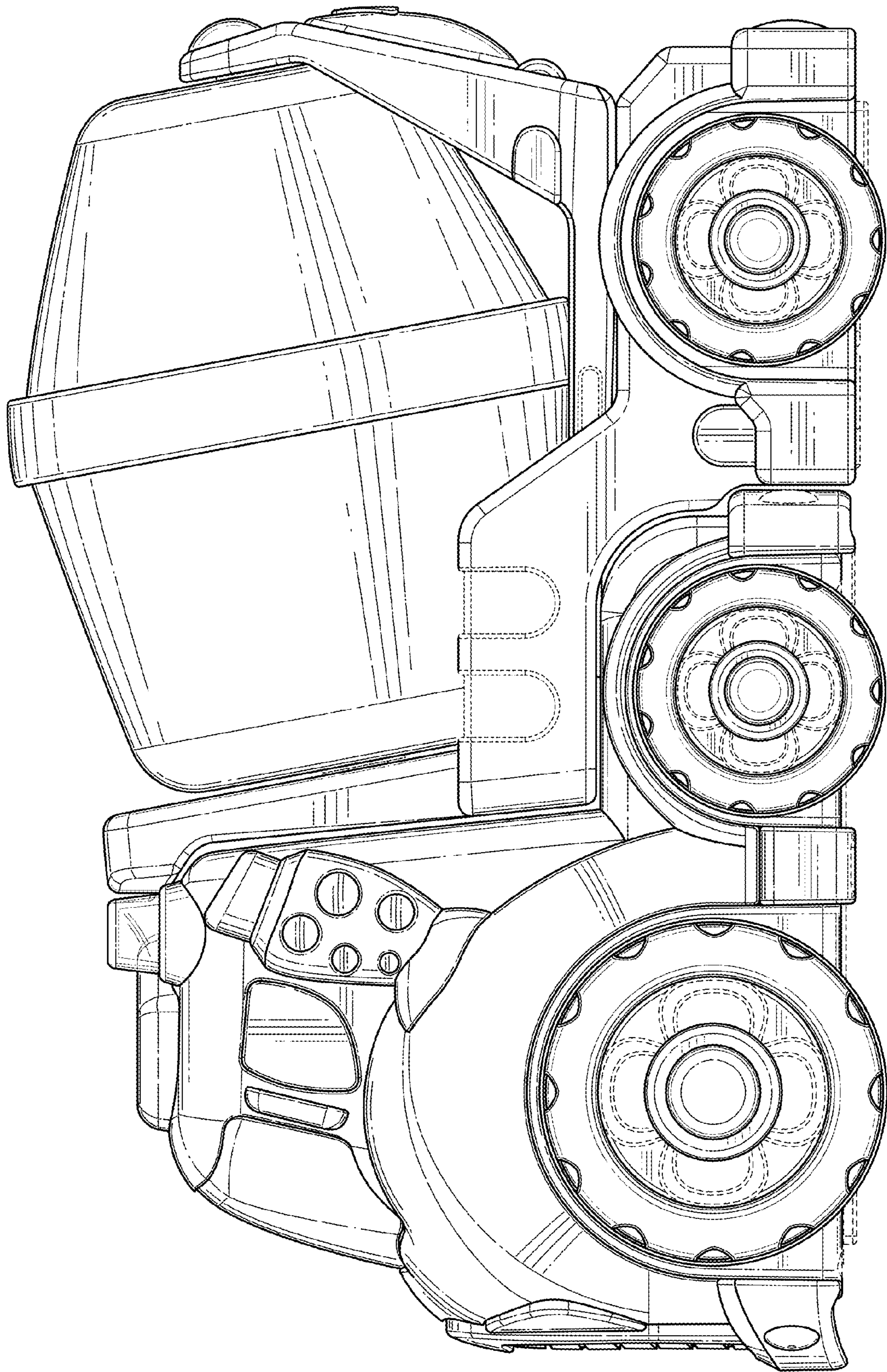


FIG. 3



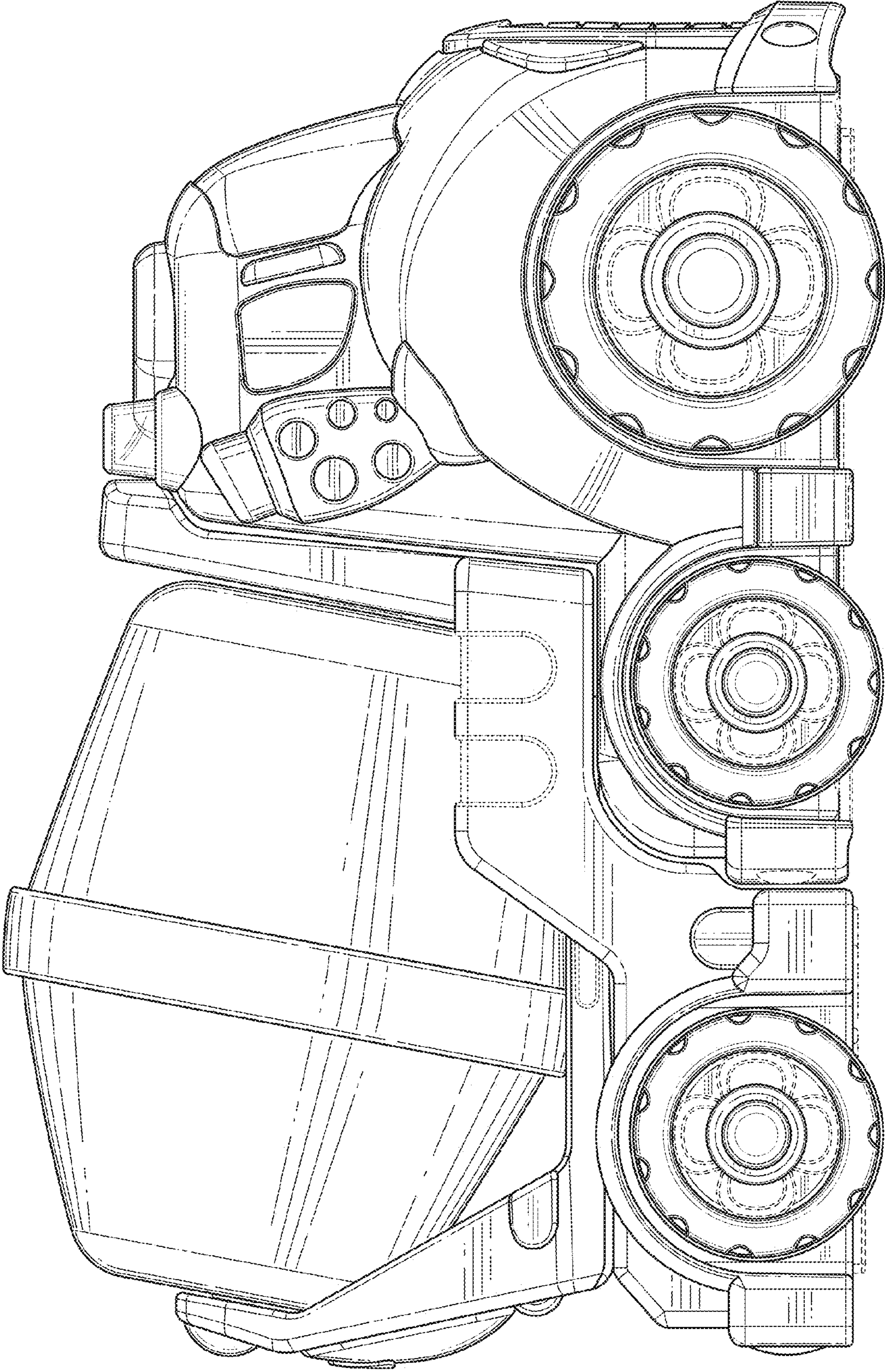


FIG. 4



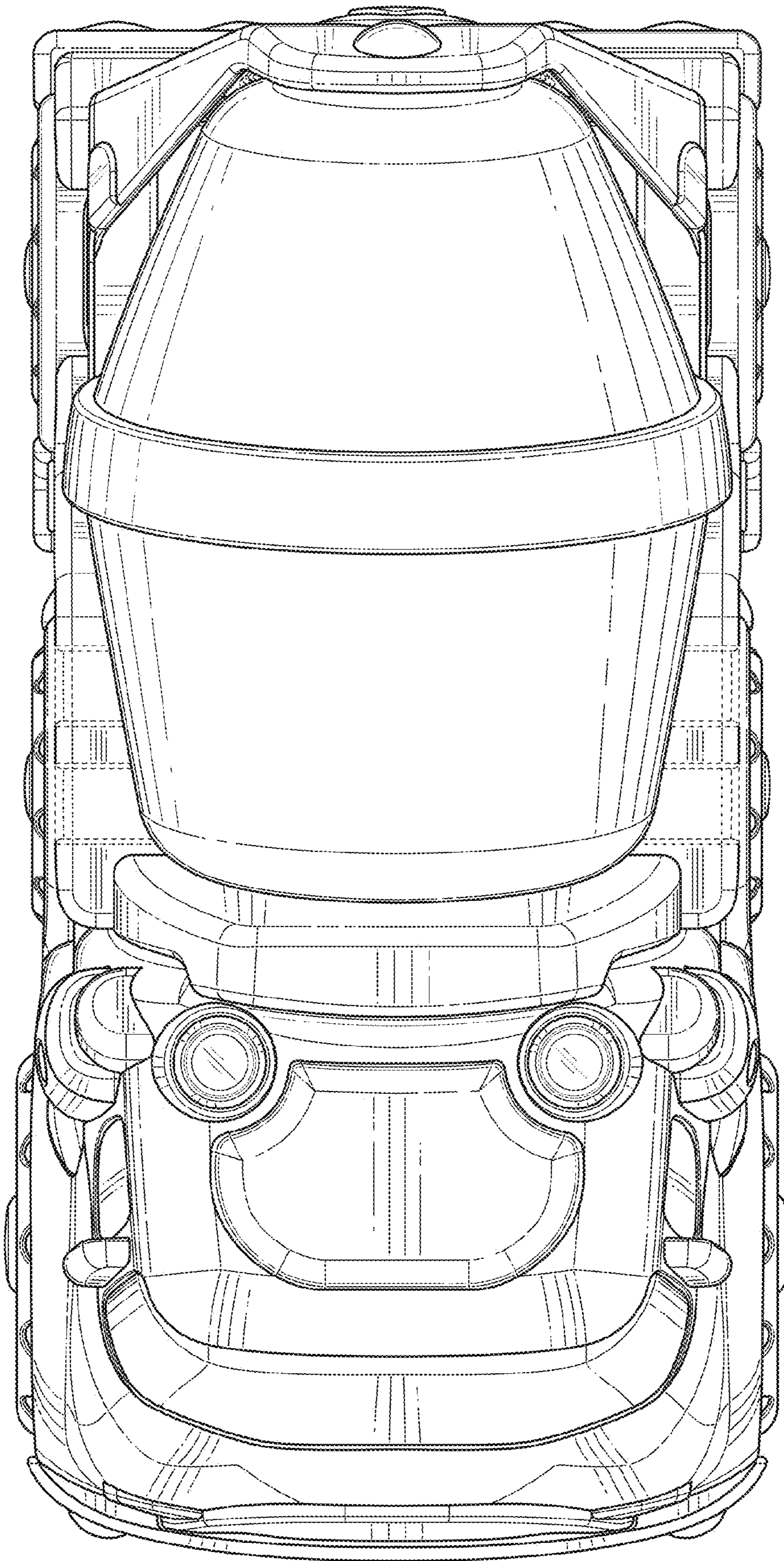


FIG. 5



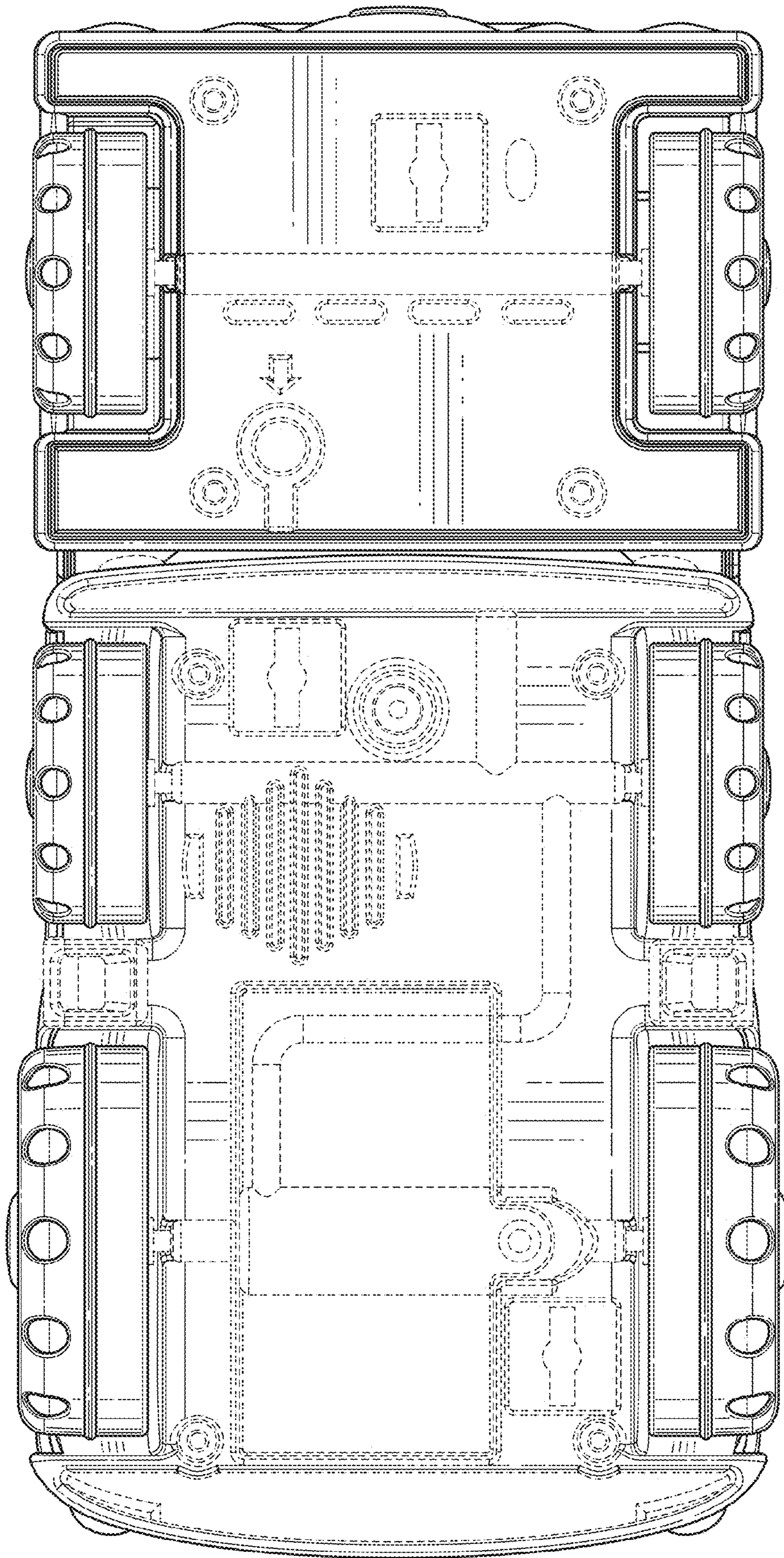


FIG. 6