



US00D868172S

(12) **United States Design Patent**
Jin

(10) **Patent No.:** **US D868,172 S**

(45) **Date of Patent:** **** *Nov. 26, 2019**

(54) **REMOTE CONTROLLED TOY CAR**

D732,115 S * 6/2015 Talios D21/433
D771,201 S * 11/2016 Tompkin D21/550
D803,329 S * 11/2017 Tompkin D21/550

(71) Applicant: **Huimin Jin**, Hubei (CN)

(72) Inventor: **Huimin Jin**, Hubei (CN)

(*) Notice: This patent is subject to a terminal disclaimer.

(**) Term: **15 Years**

(21) Appl. No.: **29/593,163**

(22) Filed: **Feb. 7, 2017**

(51) **LOC (12) Cl.** **21-01**

(52) **U.S. Cl.**
USPC **D21/548**; D21/533

(58) **Field of Classification Search**
USPC D12/542; D21/433-434, 548-550, 552, D21/559
CPC A63H 17/26; A63H 17/262; A63H 17/264;
A63H 17/266; A63H 17/36; A63H 17/38;
A63H 29/00; A63H 29/22; A63H 29/24;
A63H 30/04

See application file for complete search history.

(56) **References Cited**

U.S. PATENT DOCUMENTS

D249,736 S * 9/1978 Bergman D21/533
D262,564 S * 1/1982 Yamashina D21/549
D329,475 S * 9/1992 Revell D21/551
D384,377 S * 9/1997 Lun D21/551
D412,542 S * 8/1999 Lun D21/548
D428,076 S * 7/2000 Wise D21/548

OTHER PUBLICATIONS

Cartoon Control Removable Driver Figures [online] found on Mar. 1, 2018 from URL <https://www.amazon.com/Cartoon-Control-Removable-Driver-Figures/dp/B01N1UF37F>.*

Cartoon Control Removable Driver Figures [online] found on Mar. 1, 2018 from URL <https://www.amazon.com/Cartoon-Control-Removable-Driver-Figures/dp/B01N1UF37F> (Year: 2018).*

* cited by examiner

Primary Examiner — Manpreet S Matharu

Assistant Examiner — Keith J Wilson

(74) *Attorney, Agent, or Firm* — Justin Lampel

(57) **CLAIM**

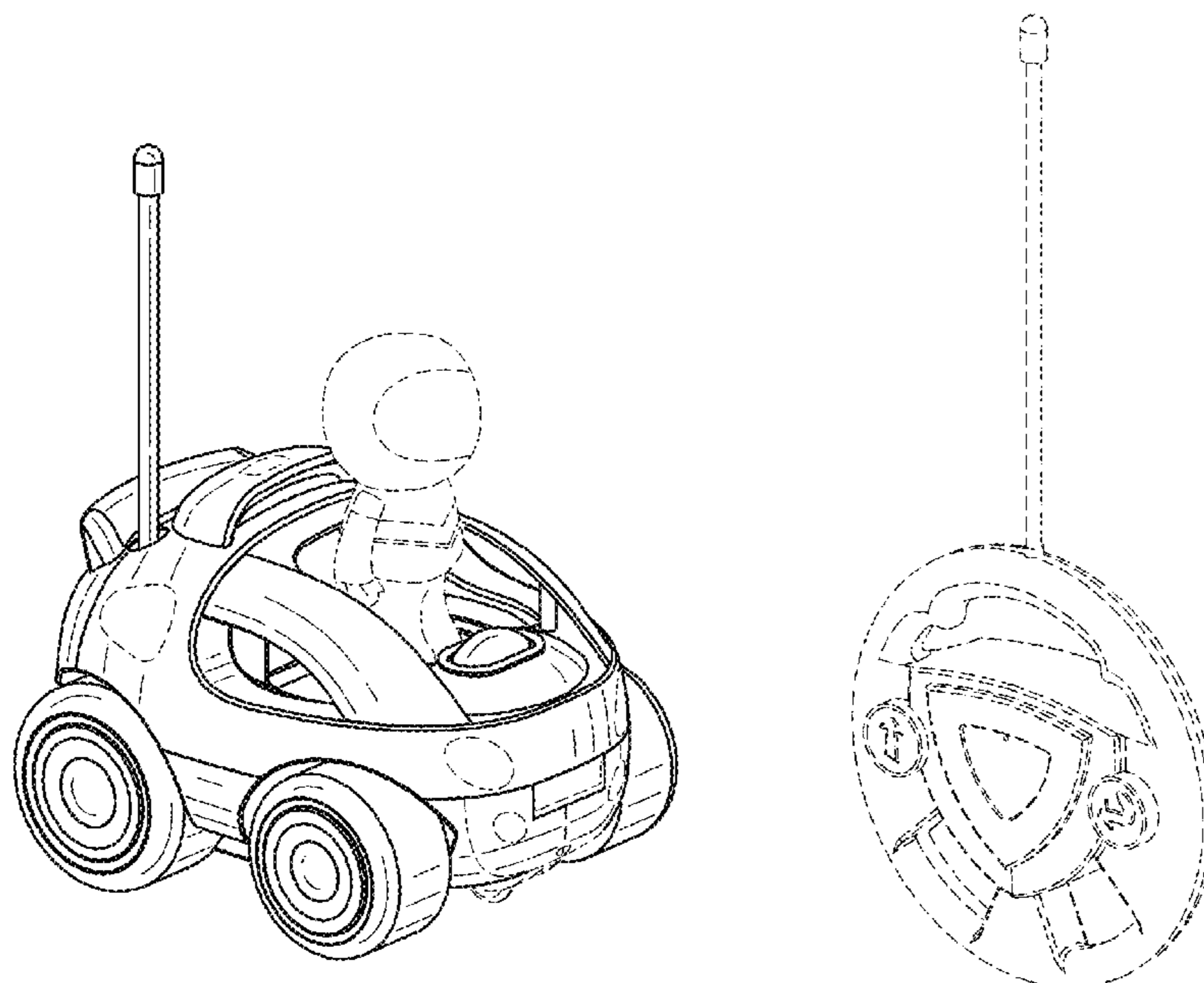
The ornamental design for a remote controlled toy car, as shown and described.

DESCRIPTION

FIG. 1 is a perspective view of the remote controlled toy car; FIG. 2 is a back view of the remote controlled toy car; FIG. 3 is a front view of the remote controlled toy car; FIG. 4 is a side view of the remote controlled toy car; FIG. 5 is a side view of the remote controlled toy car; FIG. 6 is a bottom view of the remote controlled toy car; and, FIG. 7 is a top view of the remote controlled toy car.

The broken lines shown represents portions of a remote control toy car and forms no part of the claimed design.

1 Claim, 7 Drawing Sheets



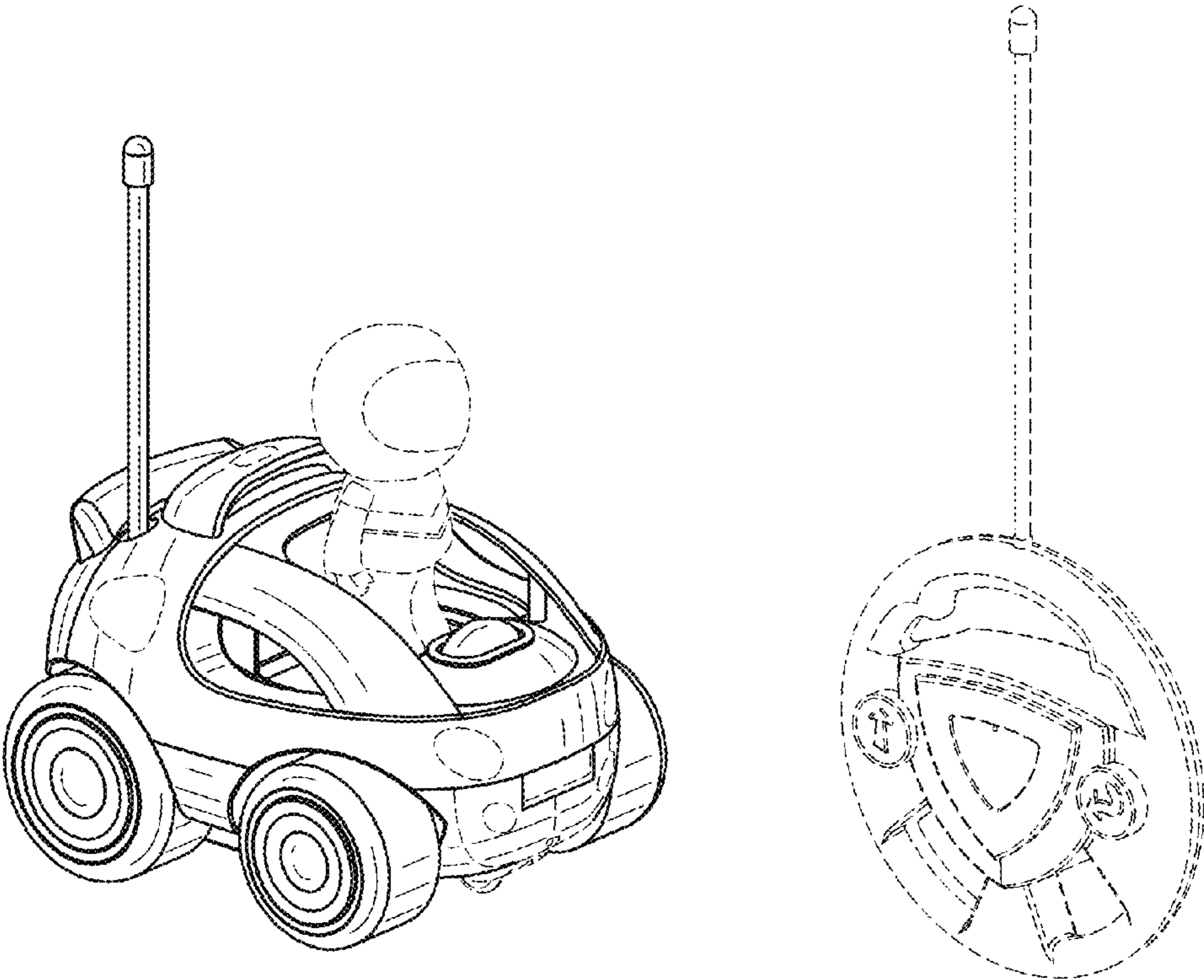


FIG. 1

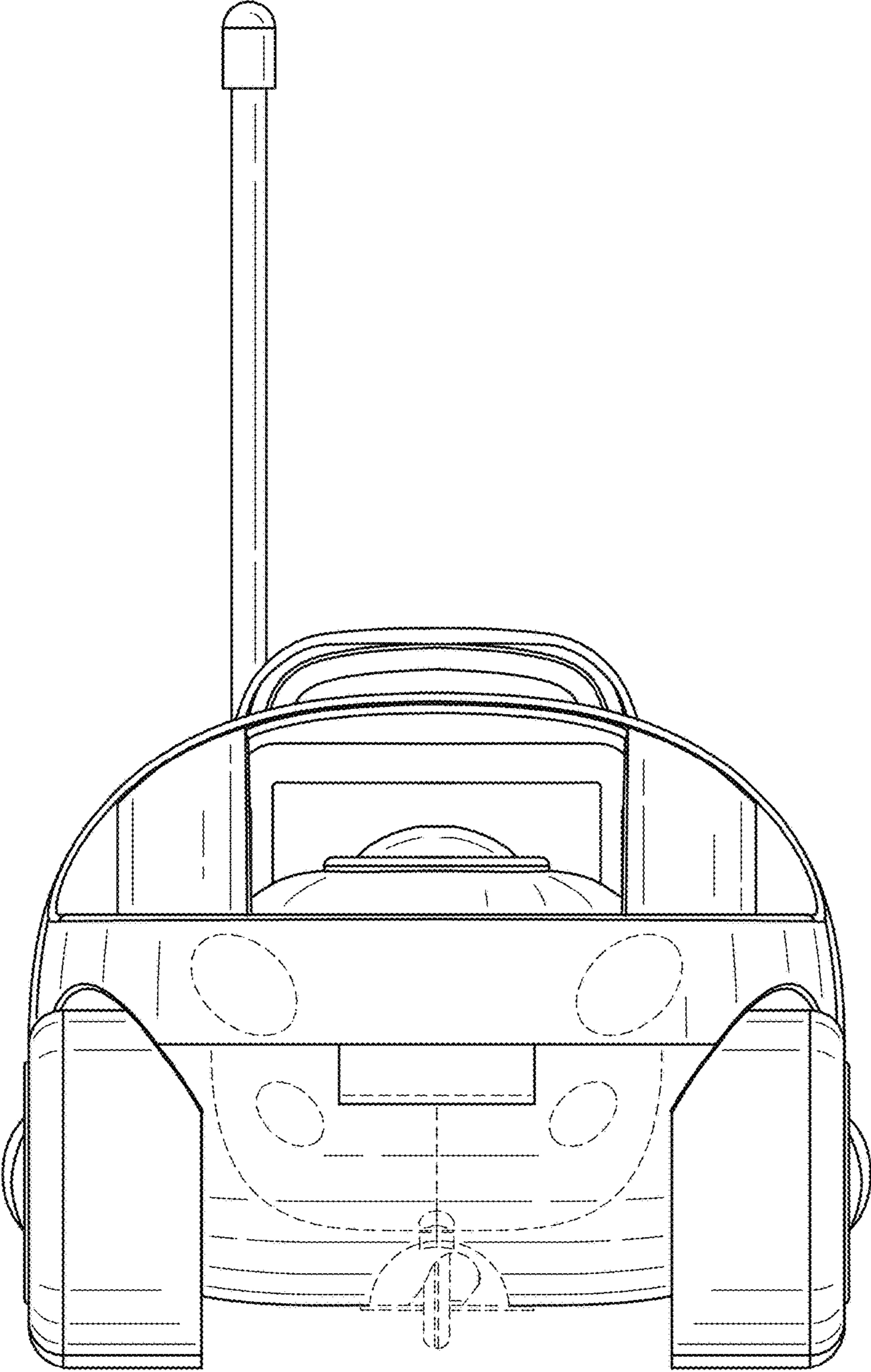


FIG. 2

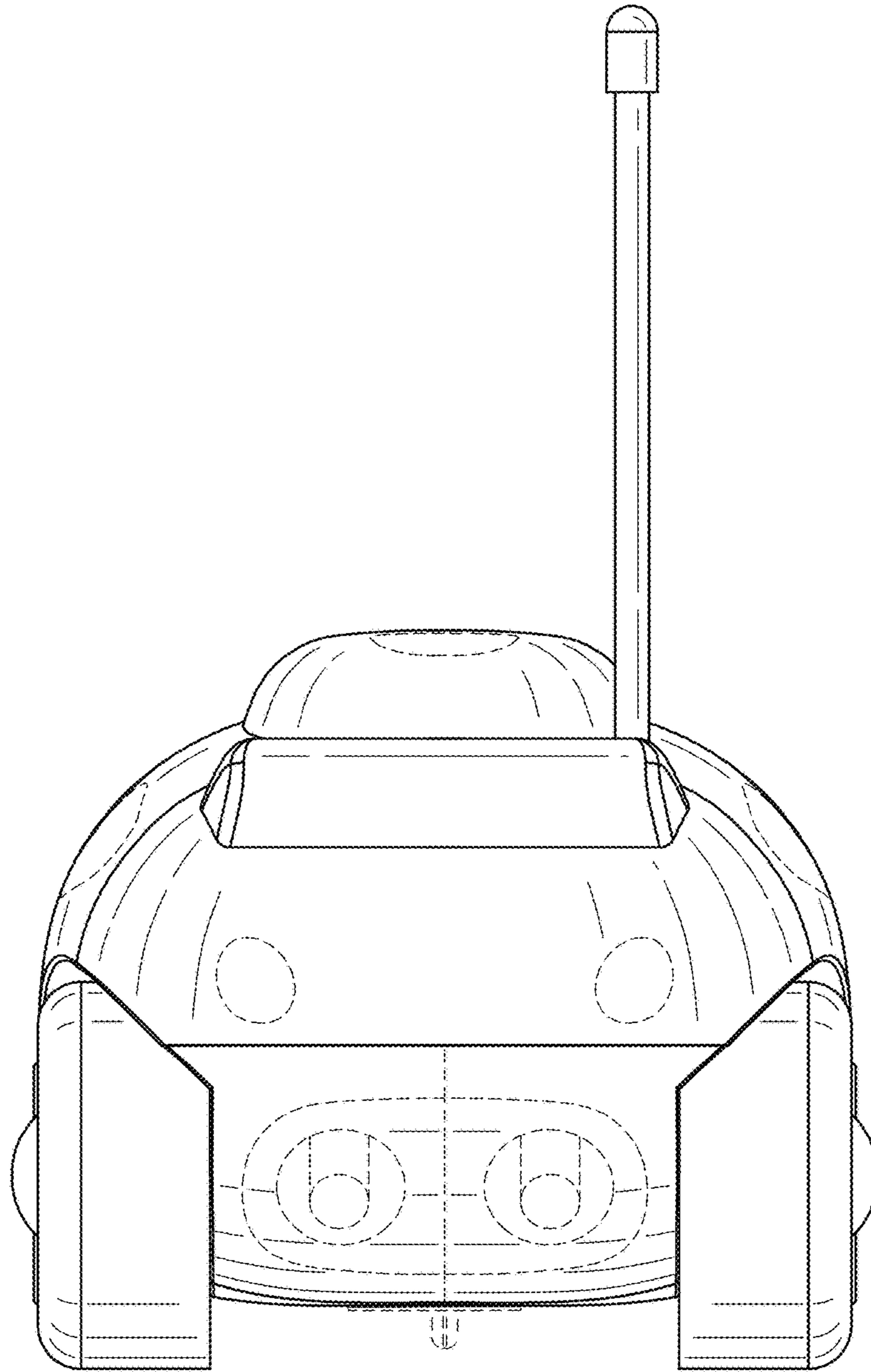


FIG. 3

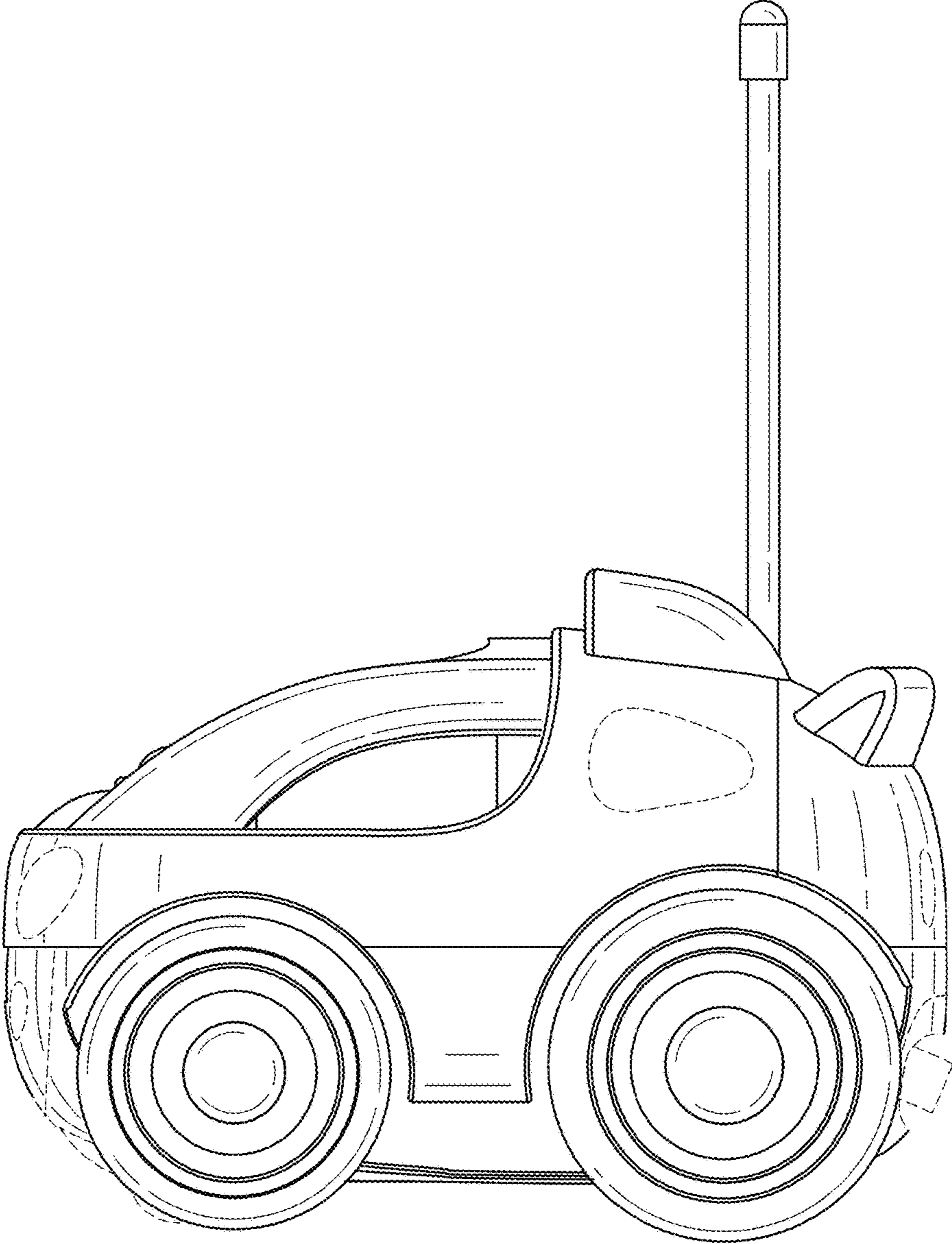


FIG. 4

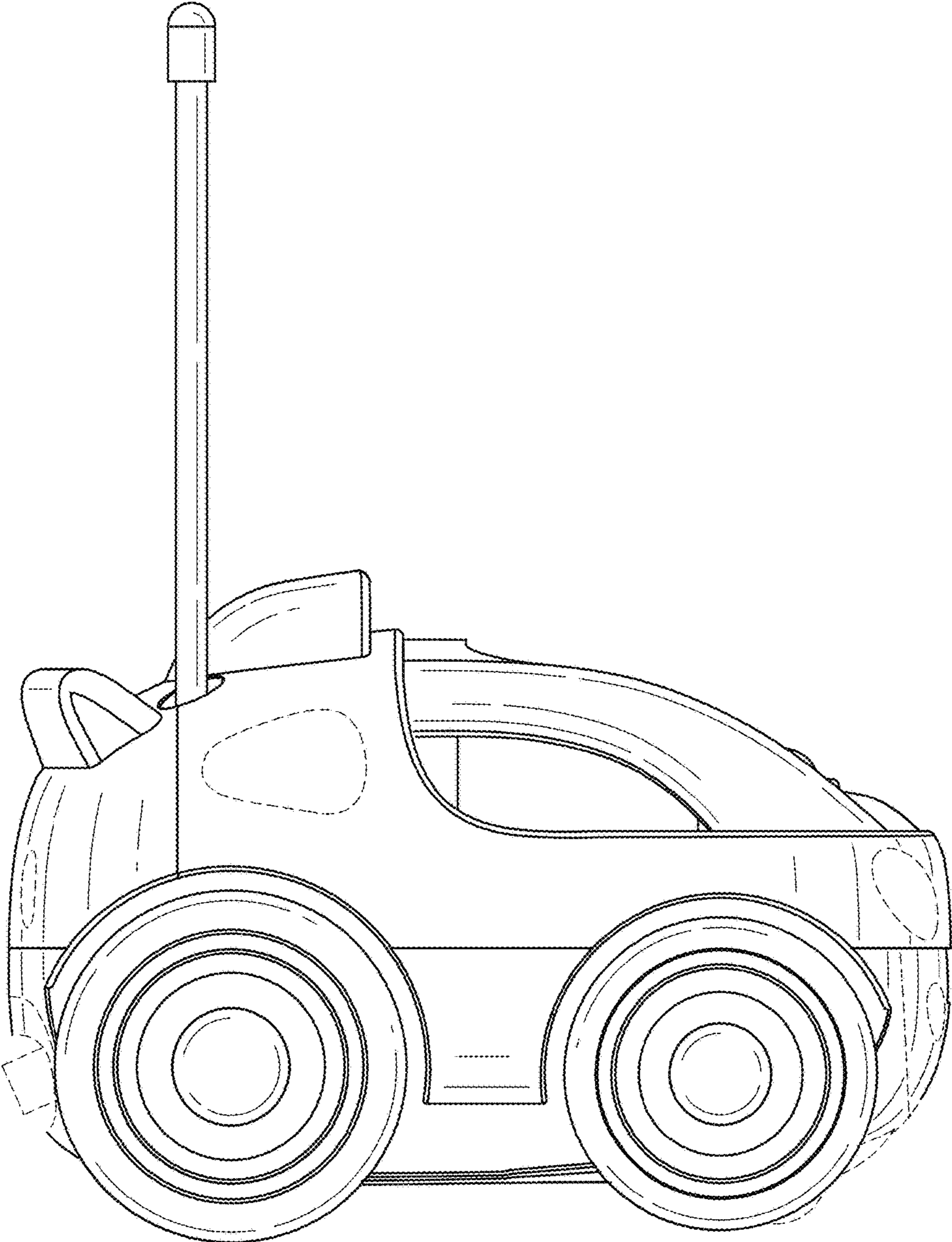


FIG. 5

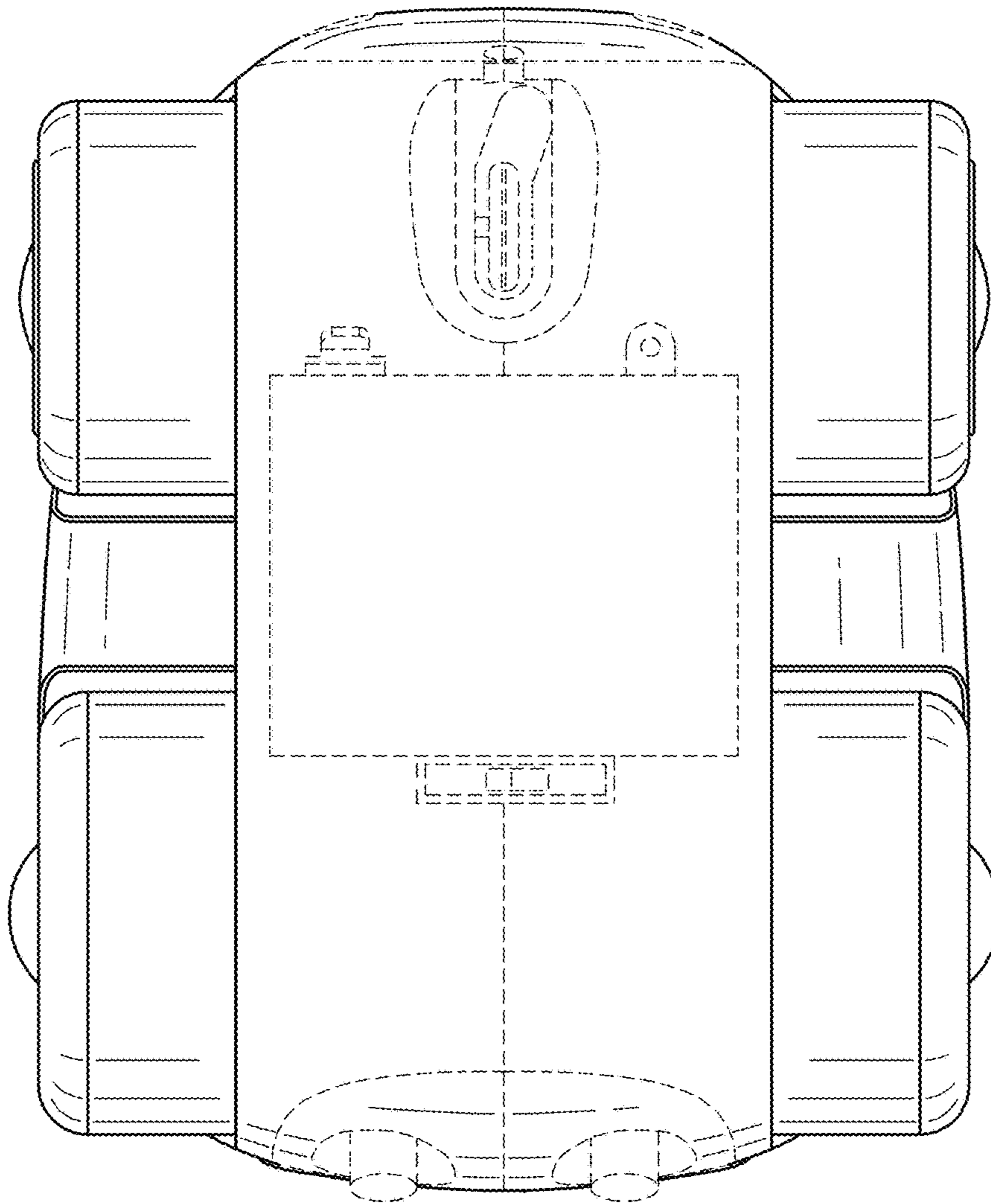


FIG. 6

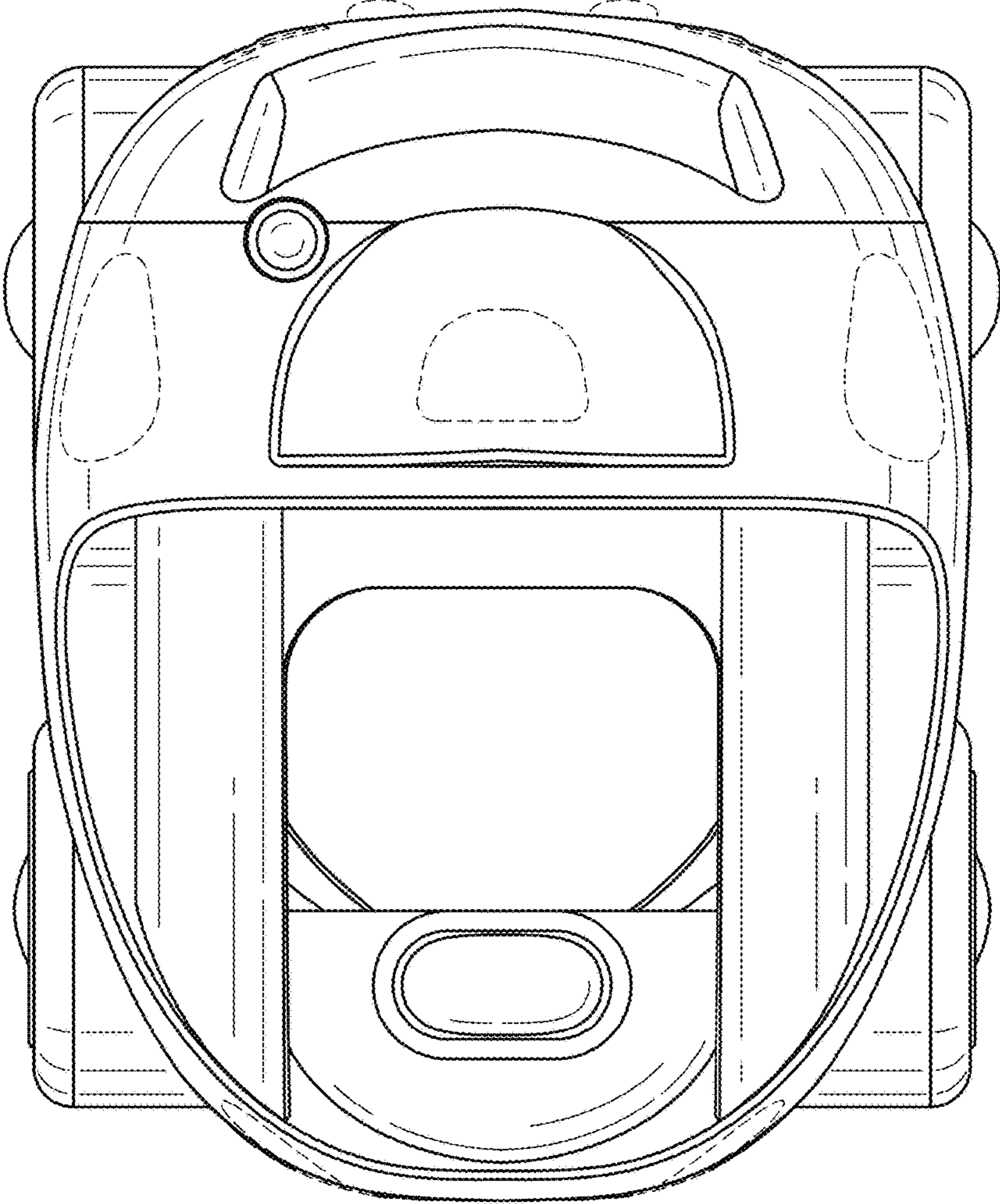


FIG. 7