



US00D868171S

(12) **United States Design Patent** (10) **Patent No.:** **US D868,171 S**
Wood (45) **Date of Patent:** **** *Nov. 26, 2019**

(54) **PORTABLE AXLE FOR A MODEL VEHICLE**

3,333,654 A 8/1967 Price-Stephens
3,411,815 A 11/1968 Sullivan, Jr.
3,498,622 A 3/1970 Belart
3,767,221 A 10/1973 Asberg

(71) Applicant: **TRAXXAS LP**, McKinney, TX (US)

(Continued)

(72) Inventor: **Jonathan Scott Wood**, Lewisville, TX (US)

OTHER PUBLICATIONS

(73) Assignee: **TRAXXAS L.P.**, McKinney, TX (US)

Xray; "T1R Raycer-Instruction Manual;" Xray Model Racing Cars, Trencin, Slovak Republic, Europe.

(*) Notice: This patent is subject to a terminal disclaimer.

(Continued)

(**) Term: **15 Years**

Primary Examiner — Robin V Webster

Assistant Examiner — Keith J Wilson

(21) Appl. No.: **29/592,272**

(74) *Attorney, Agent, or Firm* — Daryl R. Wright; Greg Carr

(22) Filed: **Jan. 27, 2017**

(51) **LOC (12) Cl.** **21-01**

(57) **CLAIM**

(52) **U.S. Cl.**
USPC **D21/495**

I claim the ornamental design for a portal axle for a model vehicle, as shown and described.

(58) **Field of Classification Search**
USPC D21/495, 502, 561, 562; 446/103;
280/124.155, 124.139; D15/5, 149, 180
CPC A63H 33/042; A63H 3/16; A63H 30/00;
A63H 7/04; A63H 31/00; A63H 3/50;
A63H 17/26; A63H 17/36; A63H 17/262;
A63H 17/264

DESCRIPTION

See application file for complete search history.

FIG. 1 is an upper, right, rear perspective view of a portal axle for a model vehicle;
FIG. 2 is an upper, left, front perspective view thereof;
FIG. 3 is a left side elevation view thereof;
FIG. 4 is a right side elevation view thereof;
FIG. 5 is a front elevation view thereof;
FIG. 6 is a rear elevation view thereof;
FIG. 7 is a top plan view thereof; and,
FIG. 8 is a bottom plan view of a portal axle for a model vehicle.

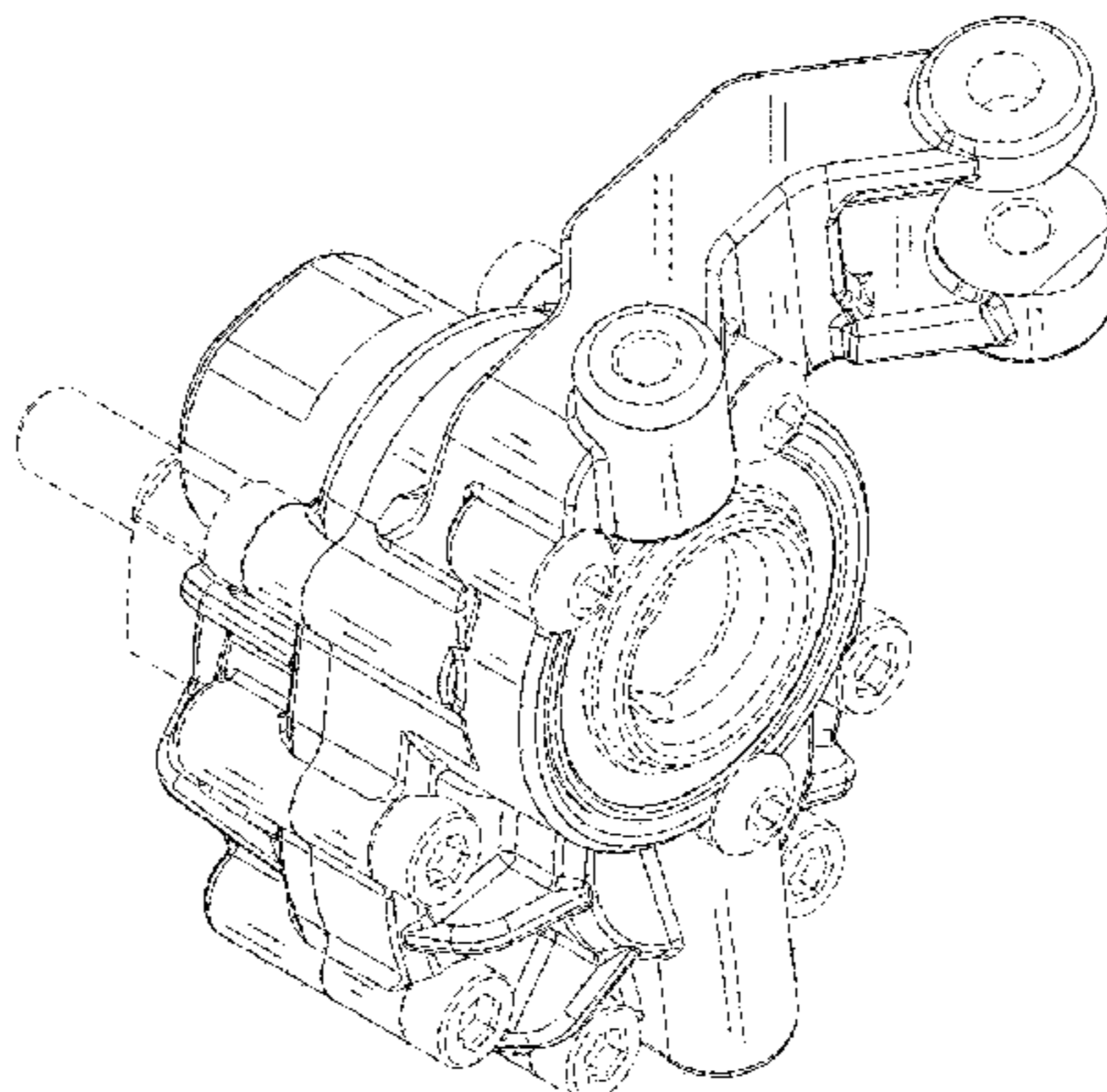
(56) **References Cited**

U.S. PATENT DOCUMENTS

1,377,905 A 5/1921 Martz
1,455,706 A 5/1923 Bower et al.
1,641,224 A 9/1927 Gurney
2,041,992 A 5/1936 Noel
2,083,085 A 6/1937 Marley
2,132,545 A 10/1938 Smith
2,285,445 A 6/1942 Kost
2,547,435 A 4/1951 Bouchard
2,631,044 A 3/1953 Booth
2,926,938 A 3/1960 Ratti
2,993,716 A 7/1961 Langen
3,306,077 A 2/1967 Piatti

In the drawings, the broken line showing of features of the portal axle for a model vehicle illustrate portions of the portal axle for a model vehicle that form no part of the claimed design; whereas, the broken line showing of the model vehicle platform in the environmental use view depicts environmental subject matter and is provided for the purposes of illustrating environmental use structure and context, and forms no part of claimed design.

1 Claim, 6 Drawing Sheets



(56)

References Cited

U.S. PATENT DOCUMENTS

3,858,412 A 1/1975 Fisher et al.
 4,111,571 A 9/1978 Farrant
 4,509,932 A 4/1985 Weible
 4,540,385 A 9/1985 Krude
 4,632,203 A 12/1986 Krude
 5,230,660 A 7/1993 Warnke
 5,498,208 A 3/1996 Braun
 5,615,967 A 4/1997 Hellon
 5,653,547 A 8/1997 Teramachi et al.
 5,954,586 A 9/1999 Kirson
 6,416,136 B1 7/2002 Smith
 6,513,614 B2 2/2003 Knutson et al.
 6,676,527 B2 1/2004 Kudo et al.
 6,773,353 B2 8/2004 Cornay et al.
 6,783,136 B2 8/2004 Pronsias Timoney et al.
 6,820,707 B1 11/2004 Cantemir
 6,869,244 B2 3/2005 Anderton et al.
 7,144,326 B2 12/2006 Thompson
 7,234,715 B2 6/2007 Downs et al.
 7,810,604 B2 10/2010 Byers et al.
 3,052,345 A1 11/2011 Byers et al.
 D771,147 S * 11/2016 Fisher D15/5
 D775,252 S * 12/2016 Shentu D15/149
 D776,719 S * 1/2017 Fisher D15/5
 D779,560 S * 2/2017 Fox D15/5
 D779,561 S * 2/2017 Fox D15/5
 D808,872 S * 1/2018 Cecur D12/180
 2002/0163151 A1 11/2002 Timoney et al.
 2002/0165031 A1 11/2002 Riefe

2004/0005931 A1 1/2004 Wang et al.
 2004/0231910 A1 11/2004 Mercier et al.
 2006/0240897 A1 10/2006 Carlini et al.
 2007/0293328 A1 12/2007 Mazziotti

OTHER PUBLICATIONS

Traxxas; "T-Maxx Assemblies-Front Assembly;" Traxxas LP, Plano, Texas.
 Mercedes Benz, Ball Joint, 1 photograph.
 Samarins, CV Joint Boot, Apr. 25, 2006; http://www.samarins.com/glossary/cv_joint.html; 1 photograph.
 Wikipedia; Portal Axle; https://en.wikipedia.org/wiki/Portal_axle; Aug. 2016.
 Mercedes; G-Class Squared; <https://www.mercedes-benz.com/en/mercedes-benz/vehicles/passenger-cars/g-class/the-g-class-squared/>; Aug. 2016.
 Wikipedia; Unimog; <https://en.wikipedia.org/wiki/Unimog>; Aug. 2016.
 Tibus Bolt-On Portals; <http://www.tibus-offroad.com/en/products/bolt-on-portals/>; Aug. 2016.
 Four Wheeler Network; Living with Mopar Portal Axles; <http://www.fourwheeler.com/how-to/transmission-drivetrain/131-1208-living-with-mopar-portal-axles/>; Aug. 2016.
 Gmade R1; http://gmade.net/dealer/index.php?main_page=product_info&products_id=427; Aug. 2016.
 Associated Electrics; "Catalog and parts listing for the Monster GT Truck;" 2003; Associated Electric, Inc., Costa Mesa, CA (admitted prior art).

* cited by examiner

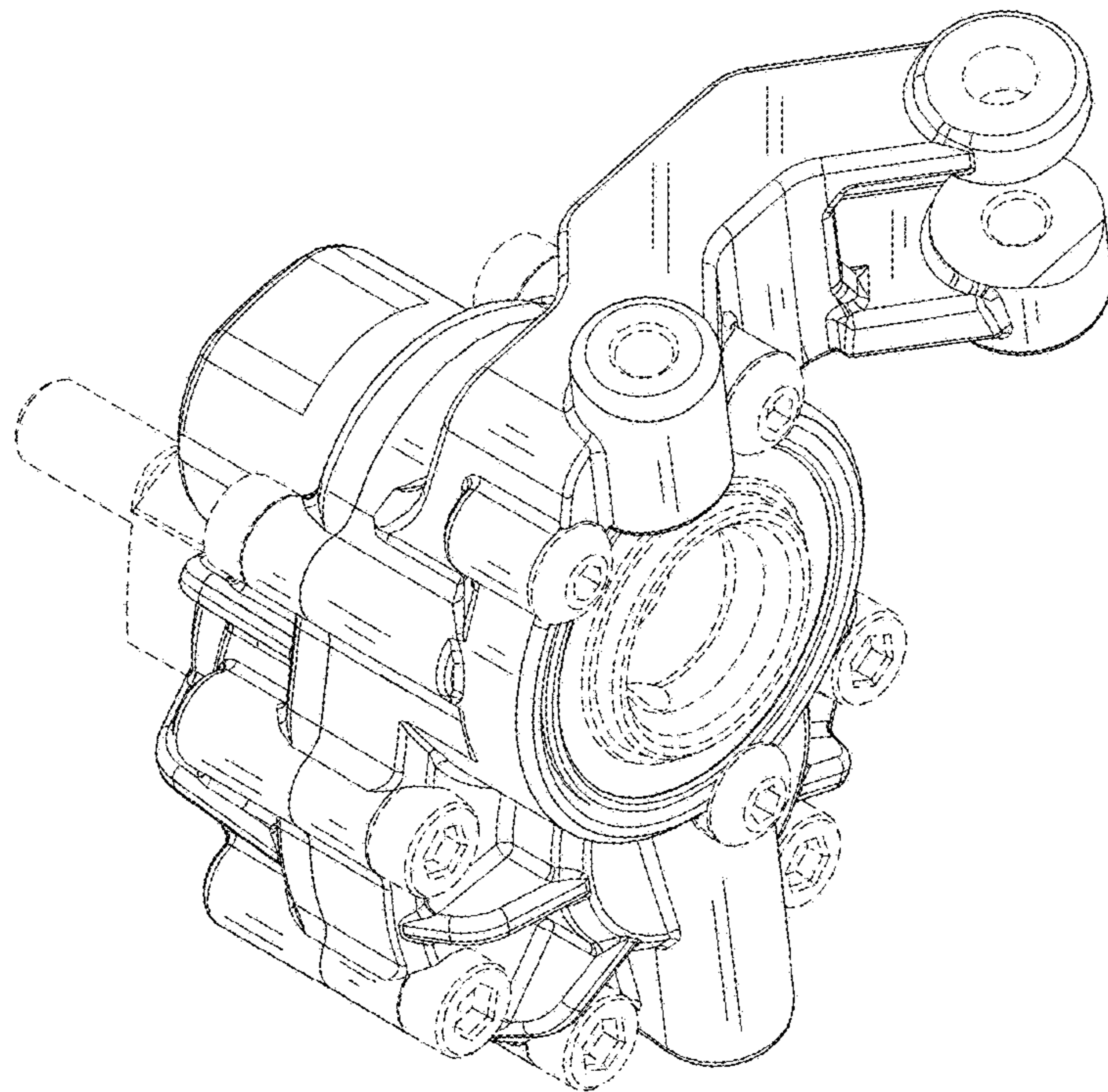


FIG. 1

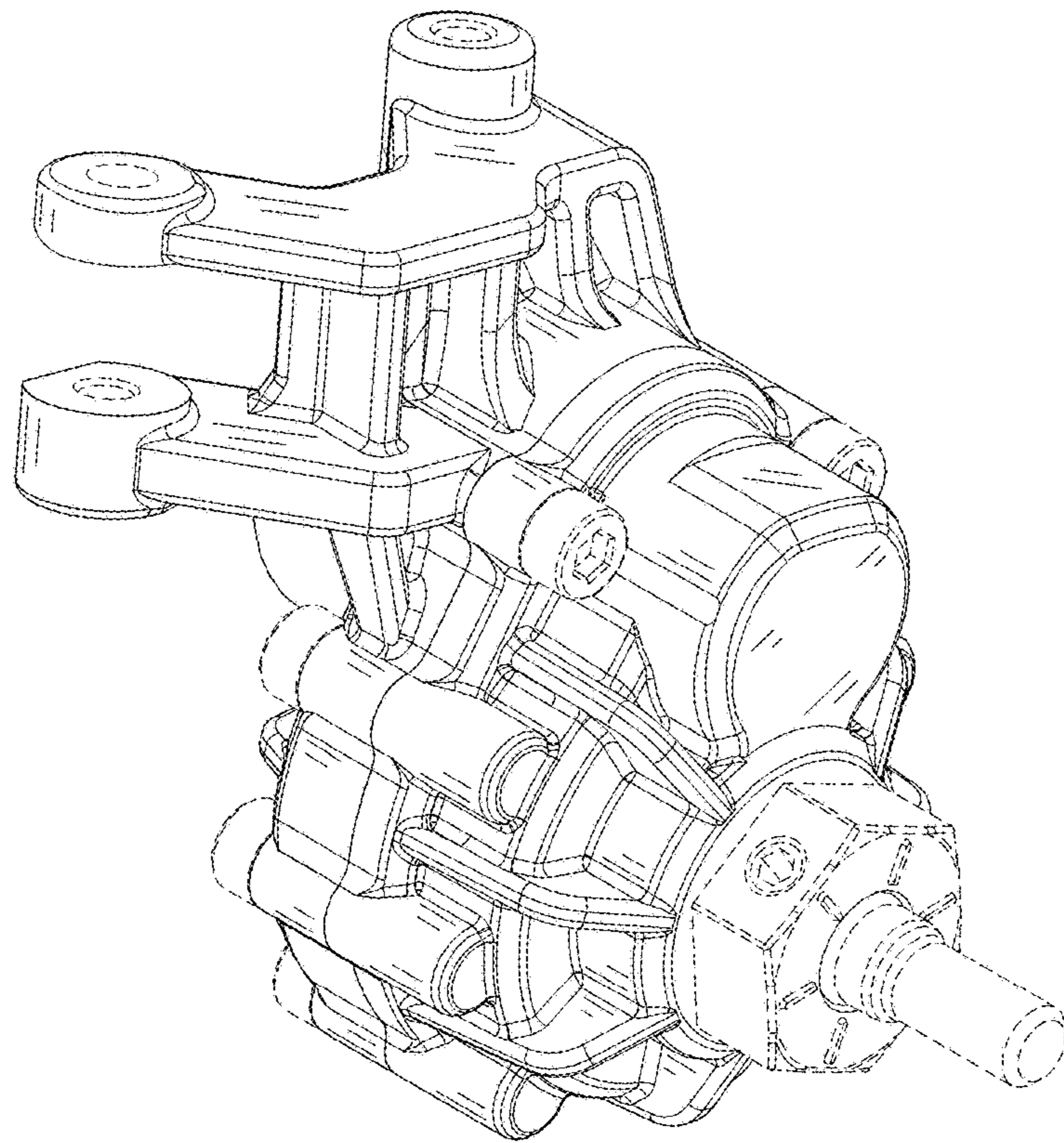


FIG. 2

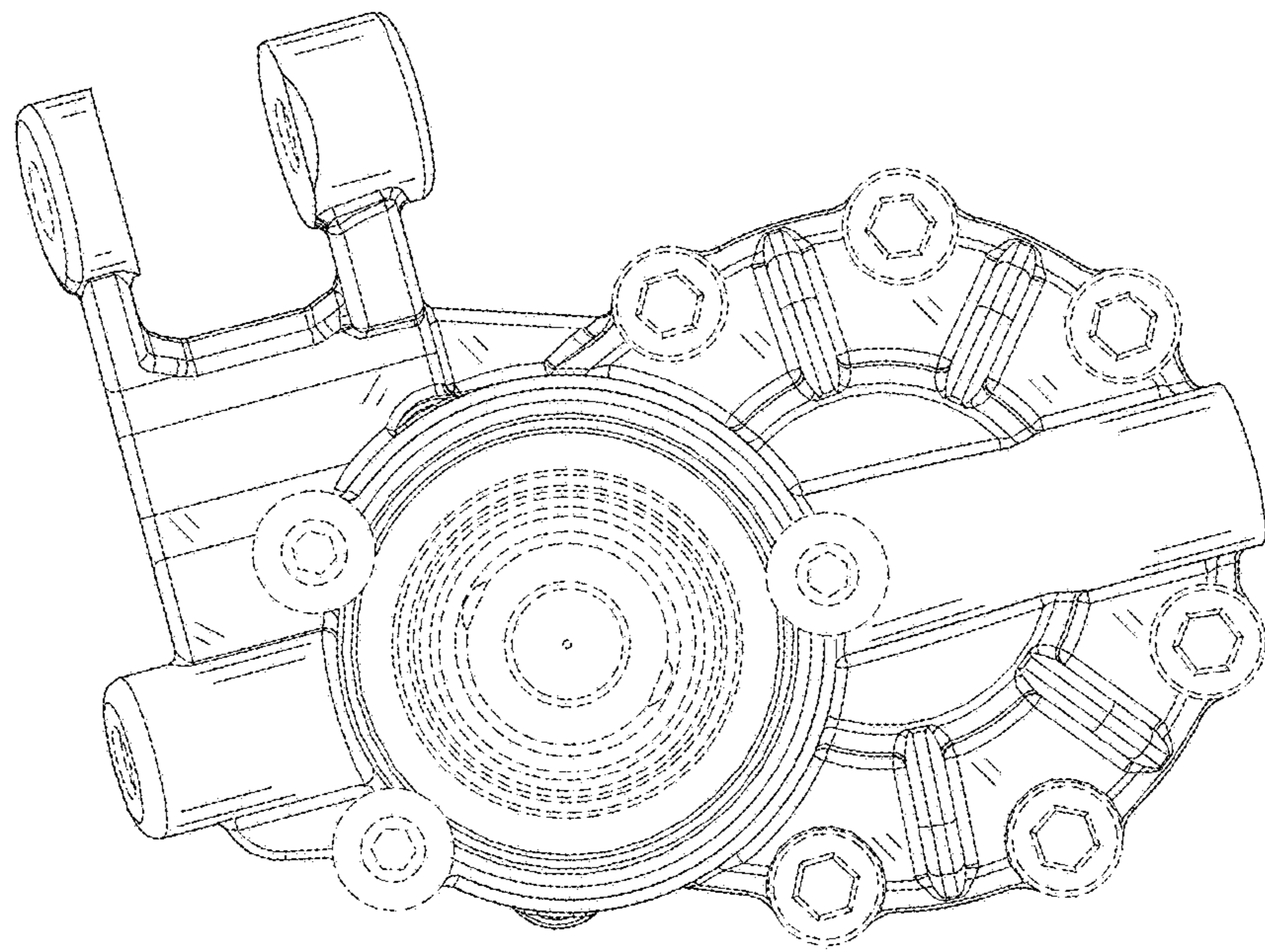


FIG. 4

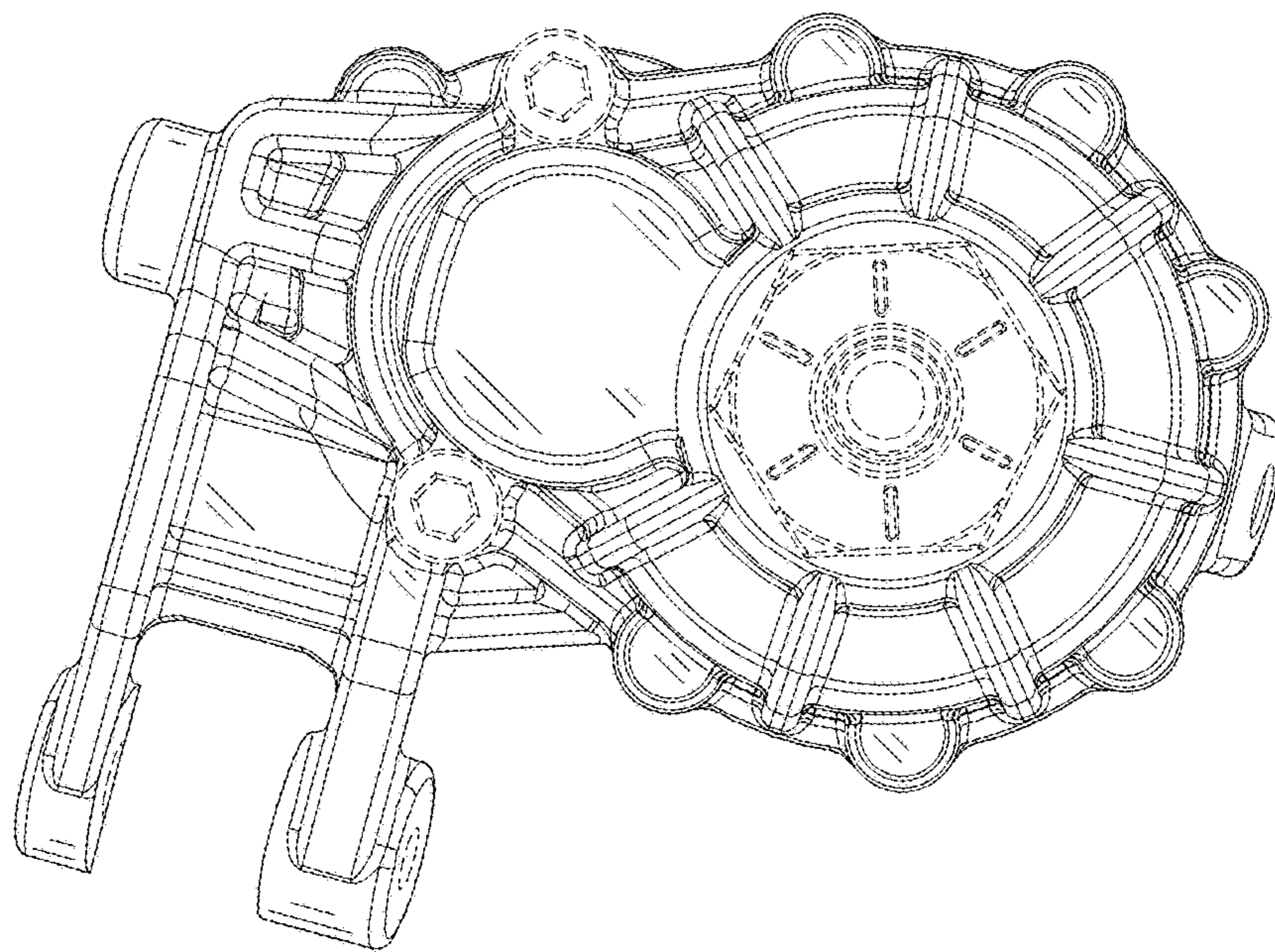


FIG. 3

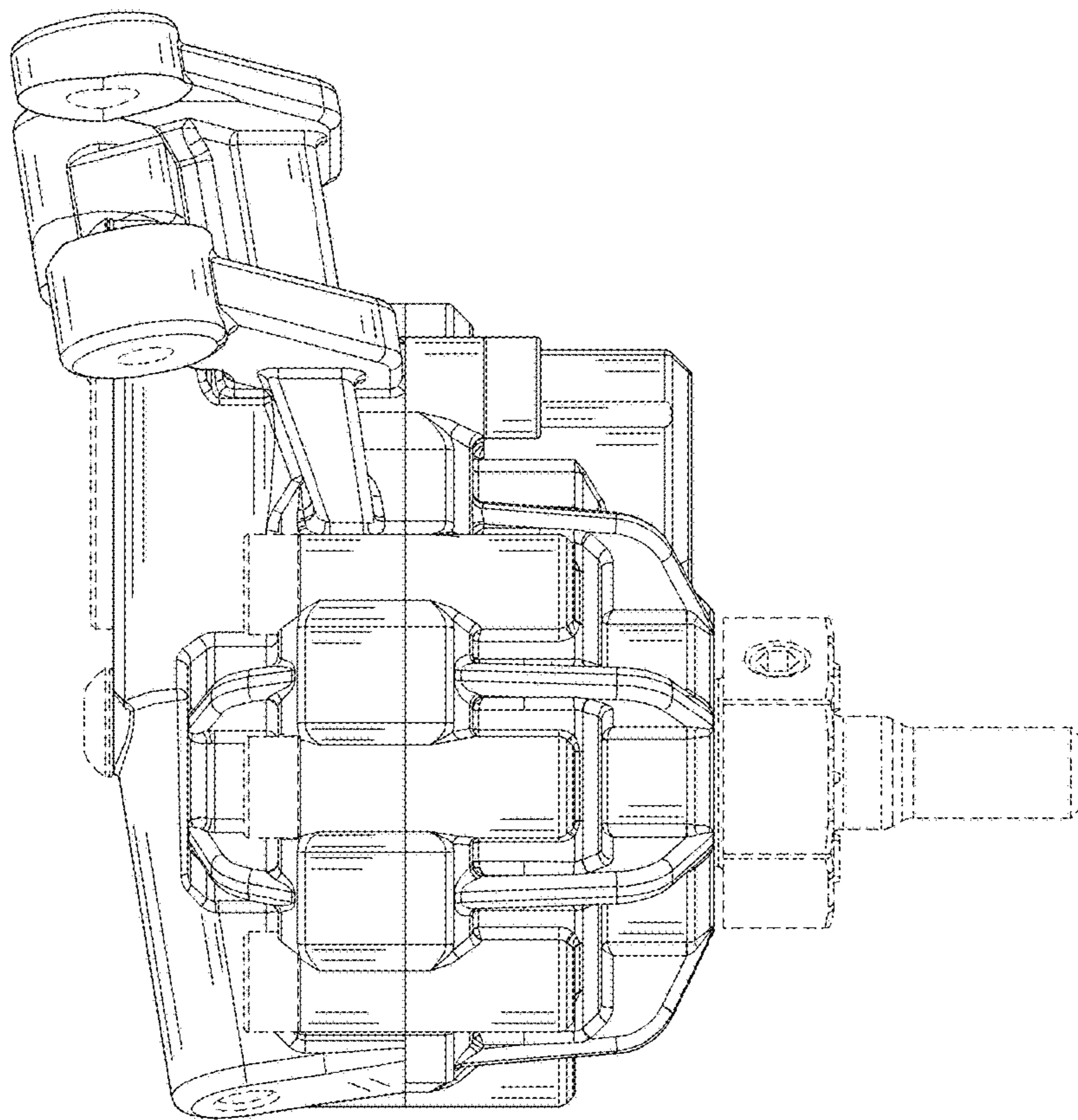


FIG. 5

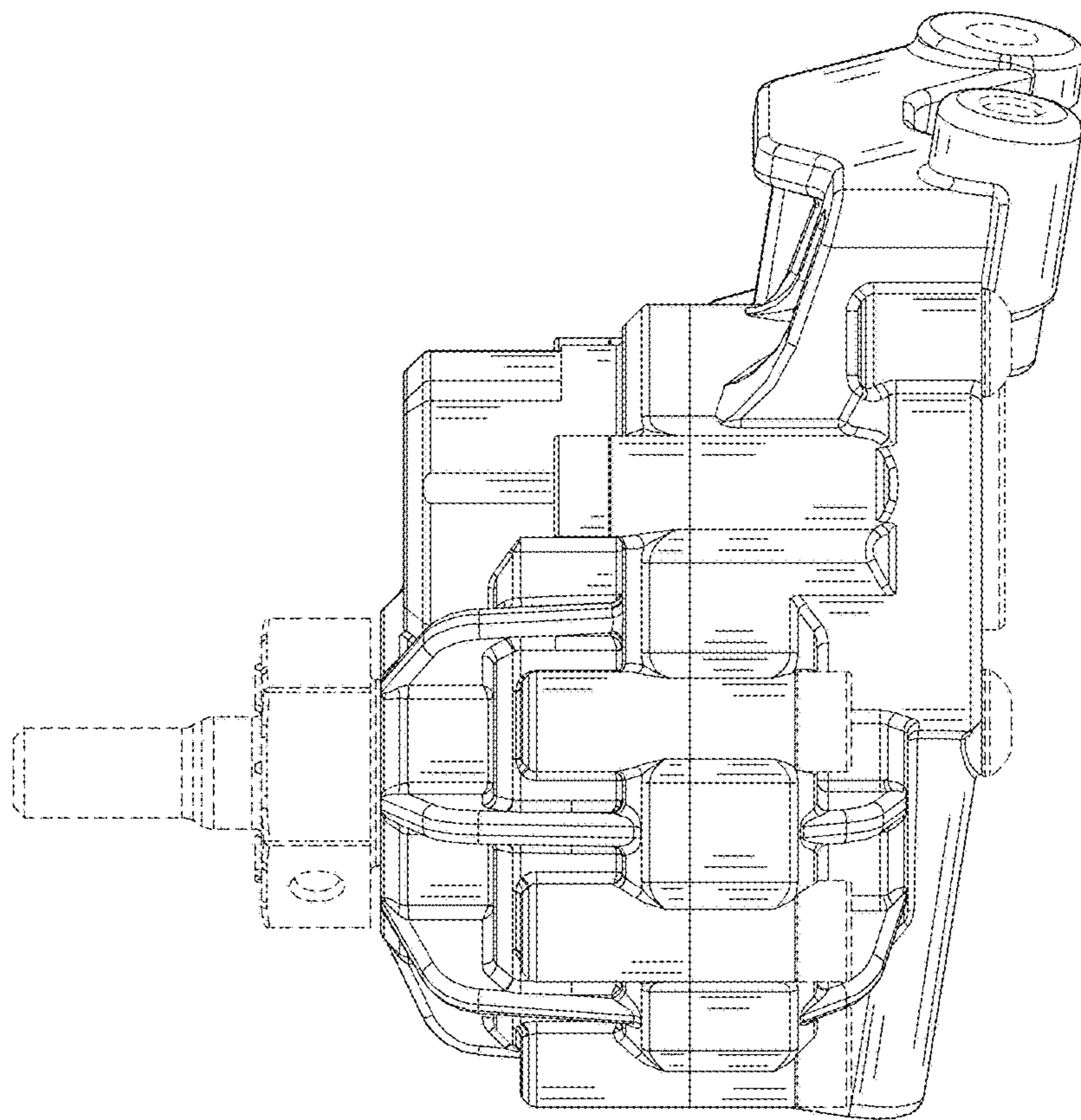


FIG. 6

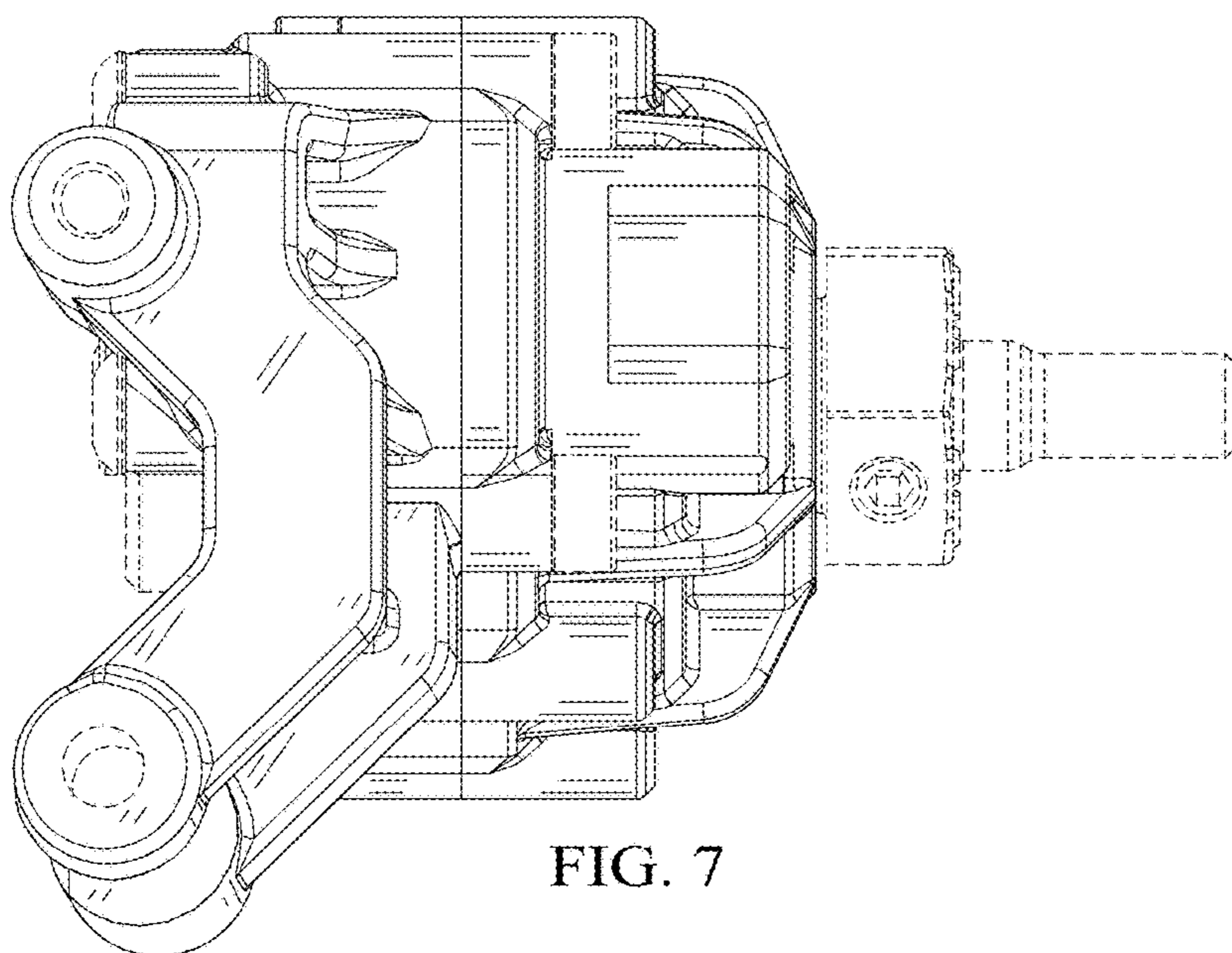


FIG. 7

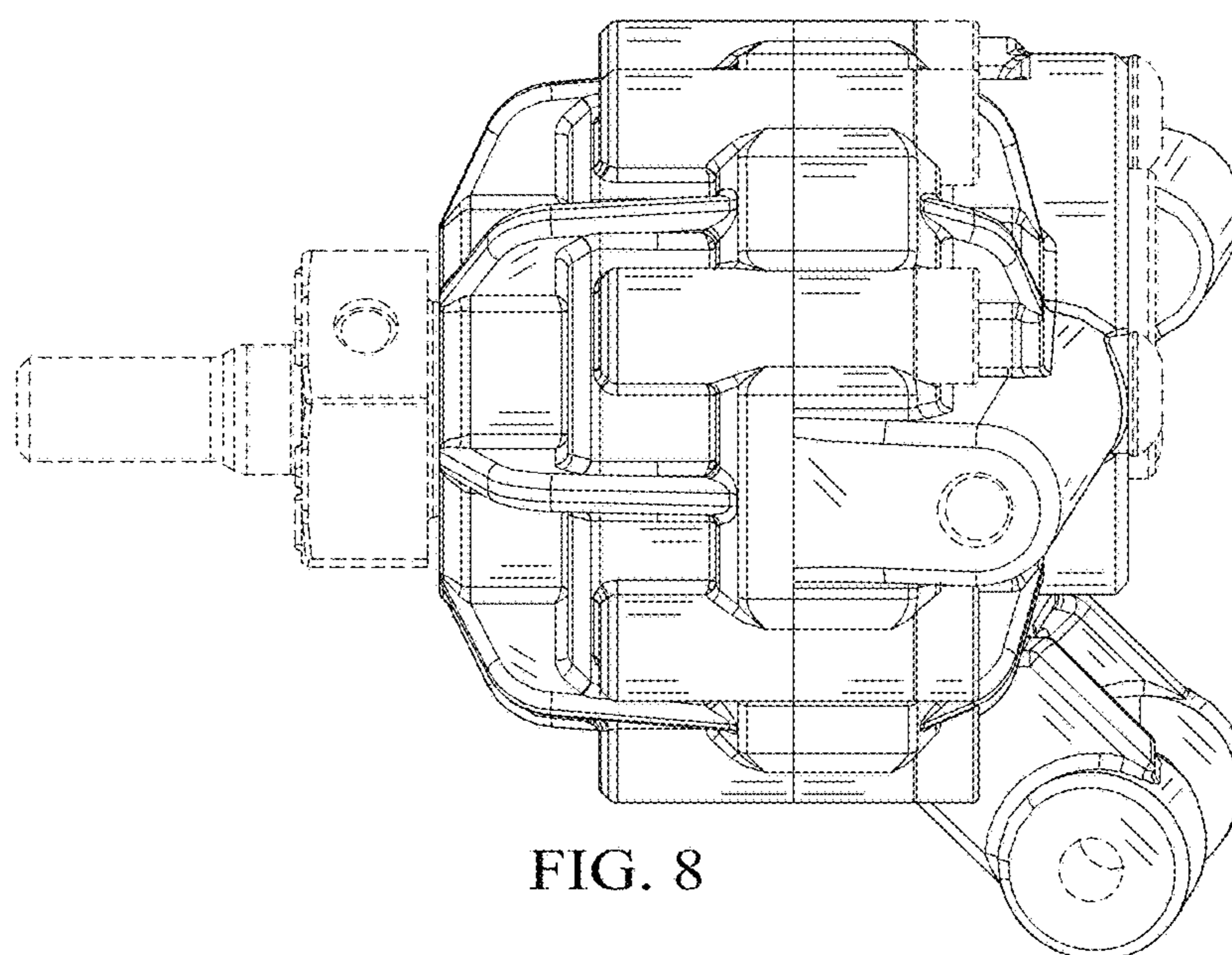


FIG. 8