



US00D868170S

(12) **United States Design Patent**
Ornstein et al.

(10) **Patent No.:** **US D868,170 S**

(45) **Date of Patent:** **** Nov. 26, 2019**

(54) **TOY BRIDGE CLIP**

(71) Applicant: **Box Tiles LLC**, Highland Park, IL (US)

(72) Inventors: **Noah J. Ornstein**, Highland Park, IL (US); **Joseph M. Kelley**, Highland Park, IL (US)

(73) Assignee: **Box Tiles LLC**, Highland Park, IL (US)

(**) Term: **15 Years**

(21) Appl. No.: **29/609,373**

(22) Filed: **Jun. 29, 2017**

(51) **LOC (12) Cl.** **21-01**

(52) **U.S. Cl.**
USPC **D21/494**; D21/565; D21/489

(58) **Field of Classification Search**
USPC D21/484, 490, 493, 509, 564, 565, 802, D21/818, 821
CPC A63H 18/02; A63H 18/021; A63H 18/025; A63H 18/026; A63H 18/028; A63H 18/04; A63H 18/06; A63H 19/30; A63H 19/32

See application file for complete search history.

(56) **References Cited**

U.S. PATENT DOCUMENTS

1,863,995 A	6/1932	Ponstingl	
2,951,311 A	9/1960	Luther	
2,968,118 A	1/1961	Paulson	
3,032,919 A	5/1962	Amsler	
3,271,895 A	9/1966	Sphirensen	
3,480,210 A *	11/1969	Perrinjaquet A63F 7/3622 193/25 R

(Continued)

FOREIGN PATENT DOCUMENTS

CN	201591981 U	9/2010
CN	ZL2016304680837	3/2017

(Continued)

OTHER PUBLICATIONS

Magformers XL Cruisers Construction Set, available at <http://www.amazon.com/Magformers-XL-Cruisers-Construction-Set/dp/B008EGHIEM>, available Apr. 23, 2013 according to archive.org/web.

(Continued)

Primary Examiner — Cynthia M. Chin

(74) *Attorney, Agent, or Firm* — Fitch, Even, Tabin & Flannery LLP

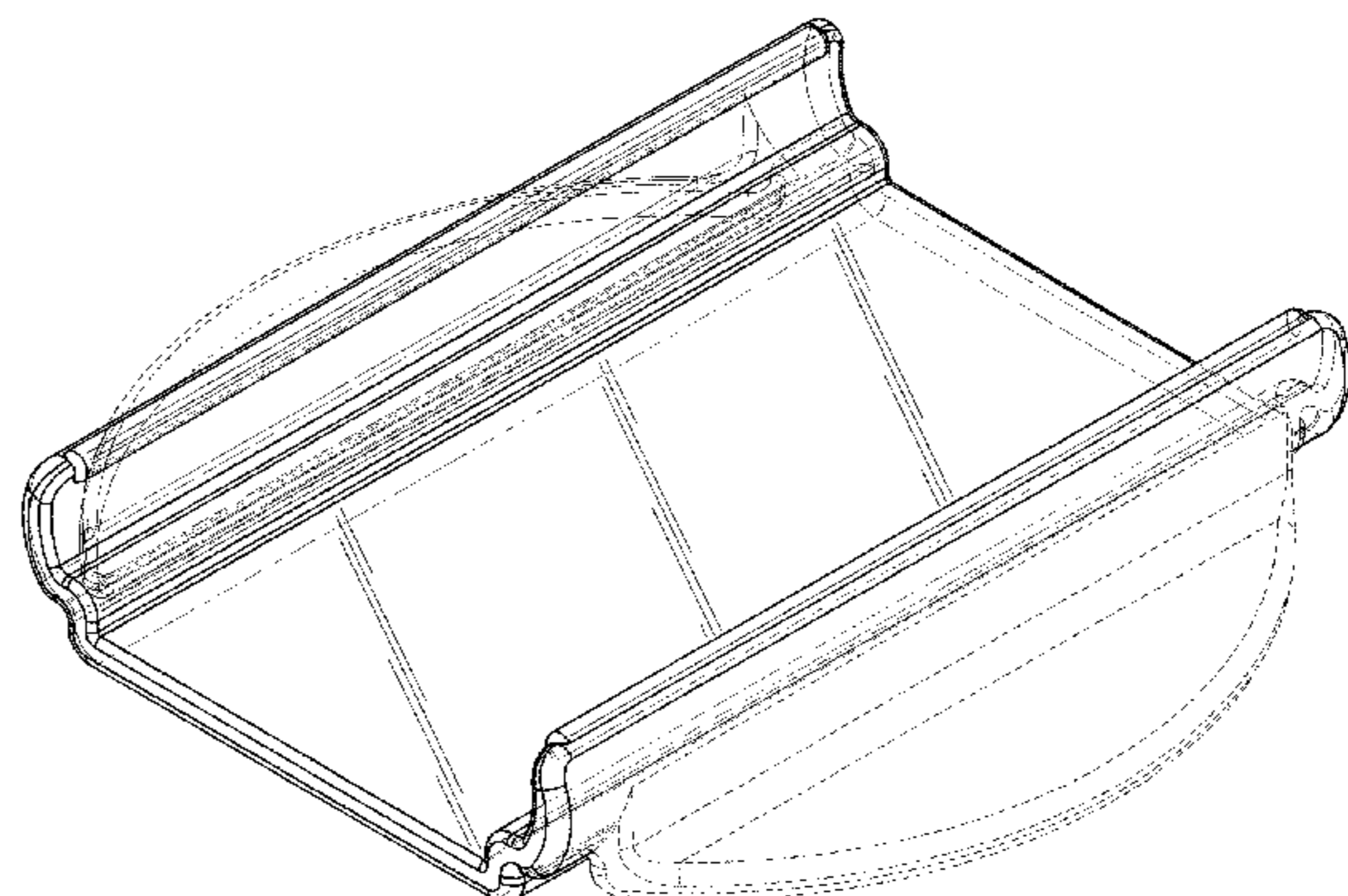
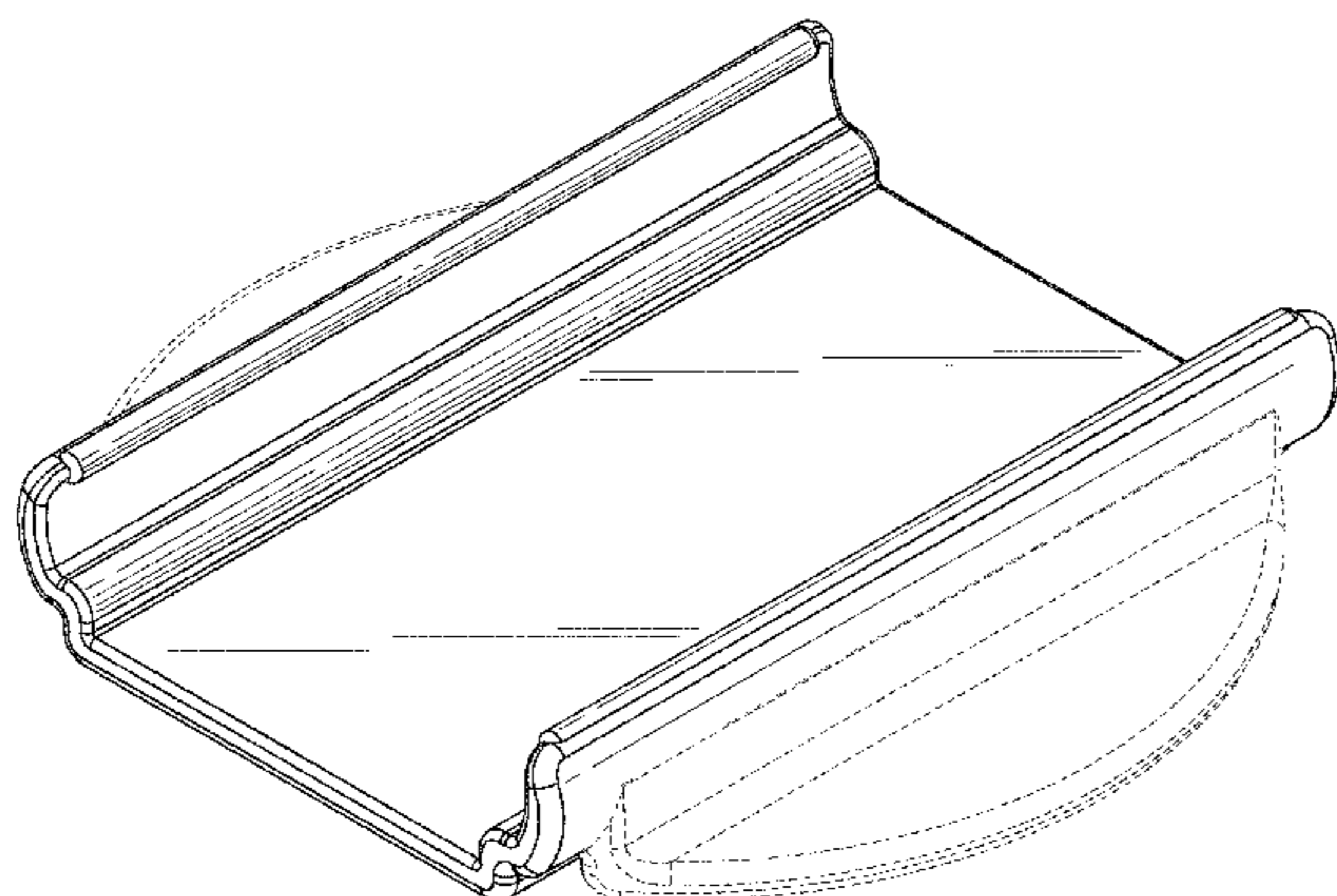
(57) **CLAIM**

The ornamental design for a toy bridge clip, as shown and described.

DESCRIPTION

FIG. 1 is a top perspective view of the toy bridge clip in accordance with a first embodiment of our new design; FIG. 2 is a top plan view thereof; FIG. 3 is a front elevation view thereof, the rear elevation view being identical thereto; FIG. 4 is a left side elevation view thereof, the right side elevation view being identical thereto; FIG. 5 is a bottom plan view thereof; FIG. 6 is a top perspective view of the toy bridge clip in accordance with a second embodiment of our new design; FIG. 7 is a top plan view thereof; FIG. 8 is a front elevation view thereof, the rear elevation view being identical thereto; FIG. 9 is a left side elevation view thereof, the right side elevation view being identical thereto; and, FIG. 10 is a bottom plan view thereof. The broken lines illustrate portions of the toy bridge clip that form no part of the claimed design. The oblique shade lines in FIGS. 6-10 represent a transparent surface or translucent surface and not surface ornamentation.

1 Claim, 8 Drawing Sheets



(56)

References Cited

U.S. PATENT DOCUMENTS

3,487,999 A * 1/1970 Branche A63H 18/02
238/10 E

3,661,689 A 5/1972 Spanier

3,712,539 A 1/1973 Staats

3,712,540 A * 1/1973 Yamasaki A63H 18/02
238/10 E

3,734,404 A * 5/1973 Baynes A63H 18/02
238/10 E

3,767,114 A * 10/1973 Rossi A63H 19/30
238/10 E

3,768,846 A 10/1973 Hensley

D233,678 S 11/1974 Harvey

3,872,620 A 3/1975 Daenen

D234,706 S 4/1975 Harvey

3,890,738 A 6/1975 Bassani

3,902,291 A 9/1975 Zucht

3,998,004 A 12/1976 Ehrlich

D249,976 S 10/1978 Gronert

4,192,083 A 3/1980 Rebbeck

4,193,221 A 3/1980 Beck

4,227,337 A 10/1980 Murray et al.

4,255,837 A 3/1981 Holtz

4,258,479 A 3/1981 Roane

4,334,870 A 6/1982 Roane

4,334,871 A 6/1982 Roane

4,345,762 A 8/1982 Lebelson

4,561,223 A 12/1985 Gold et al.

4,884,988 A 12/1989 McMurray

5,009,625 A 4/1991 Longuet-Higgins

5,021,021 A 6/1991 Ballard

5,134,812 A 8/1992 Hoffman et al.

5,161,827 A 11/1992 Grosso

5,222,902 A 6/1993 Piersch

5,230,172 A 7/1993 Hsu

D353,866 S 12/1994 Houry

5,417,603 A 5/1995 De Chazal

5,482,491 A 1/1996 Kichijyo

D380,787 S 7/1997 Gabriel

D380,790 S 7/1997 Gabriel

D380,791 S 7/1997 Gabriel

5,779,145 A * 7/1998 Zelle A63H 19/30
238/10 C

5,803,146 A 9/1998 Boon

5,830,032 A 11/1998 Campbell

D404,090 S 1/1999 Glickman

5,860,264 A 1/1999 Gephart

5,871,384 A 2/1999 Kichijo

5,888,114 A 3/1999 Slocum et al.

5,895,045 A 4/1999 Vilar

6,032,590 A 3/2000 Chen

6,073,404 A 6/2000 Norfleet

6,113,203 A 9/2000 Chen

6,298,591 B1 10/2001 Healy

6,431,936 B1 8/2002 Kiribuchi

6,464,553 B2 10/2002 Huang

6,488,346 B2 12/2002 Chen

6,500,007 B2 12/2002 Pupulin

6,565,406 B2 5/2003 Huang

6,824,440 B2 11/2004 Brener

6,969,294 B2 11/2005 Vicentelli

7,004,082 B2 2/2006 Yang

7,066,778 B2 6/2006 Kretzschmar

D532,054 S 11/2006 Kim

7,154,363 B2 12/2006 Hunts

7,273,404 B2 9/2007 Kowalski et al.

7,364,487 B2 4/2008 Evans

7,373,748 B2 5/2008 Pitcher et al.

7,520,080 B2 4/2009 Pitcher et al.

7,559,821 B2 7/2009 Pacheco

7,743,541 B2 6/2010 Suciu et al.

7,833,078 B2 11/2010 Kretzschmar

D630,262 S * 1/2011 Hornsby D21/484

7,922,417 B2 4/2011 Jimenez

D645,913 S * 9/2011 Beauregard D21/565

8,282,438 B2 10/2012 Tamulewicz

8,753,162 B2 6/2014 Jensen

D713,474 S 9/2014 Roberson

8,850,683 B2 10/2014 Haughey et al.

8,875,427 B2 11/2014 Valiulis

D718,822 S 12/2014 Lee

8,904,688 B1 12/2014 Rue et al.

D723,108 S * 2/2015 Schutt D21/484

9,120,028 B2 * 9/2015 Wilson A63H 33/062

9,266,030 B2 2/2016 Graube

9,314,707 B2 4/2016 Ornstein

9,345,980 B2 5/2016 Lee

D776,830 S 1/2017 Malpesa Guerrero

D776,831 S 1/2017 Malpesa Guerrero

D784,938 S 4/2017 Wang

D785,719 S * 5/2017 Fiebig D21/565

D789,312 S 6/2017 Wang

9,713,777 B2 7/2017 Peterson

9,734,733 B2 8/2017 Murtagh

D809,071 S 1/2018 Liu

D810,207 S 2/2018 Jasper

9,887,049 B2 2/2018 De La Rosa

D829,830 S 10/2018 Wakim

10,086,305 B2 * 10/2018 Juliano A63H 18/04

10,092,848 B2 * 10/2018 Cai A63H 18/02

2001/0004817 A1 6/2001 Auer

2001/0010992 A1 8/2001 Brazier

2002/0193046 A1 12/2002 Zebersky

2005/0241197 A1 11/2005 Ternovits et al.

2006/0166590 A1 7/2006 Ishikawa

2009/0013576 A1 1/2009 Jake et al.

2009/0217560 A1 9/2009 Topcuoglu

2010/0192437 A1 8/2010 Fallander

2010/0251659 A1 10/2010 Hughes

2011/0039473 A1 2/2011 Kretzschmar

2012/0200561 A1 8/2012 Bando

2013/0072086 A1 3/2013 Saneshige

2013/0095722 A1 4/2013 Cochella

2014/0109448 A1 4/2014 Lehrkamp

2014/0202054 A1 7/2014 Valentine

2014/0227934 A1 8/2014 Rudisill

2014/0256210 A1 9/2014 Johnson

2015/0367247 A1 12/2015 Kosmo

2016/0184727 A1 6/2016 Ornstein

FOREIGN PATENT DOCUMENTS

CN ZL2016304680841 3/2017

CN ZL2016304683356 3/2017

CN ZL2016304663579 5/2017

CN ZL2016304663776 5/2017

CN ZL2016304665771 5/2017

CN ZL2016304666238 5/2017

CN ZL2016304668017 5/2017

CN ZL2016304682442 5/2017

KR 200414572 4/2006

KR 1020120082517 7/2012

KR 101415746 B1 7/2014

WO 2011139013 A1 11/2011

WO 2015038581 A1 3/2015

WO 2015123119 A1 8/2015

WO 2015141927 A1 9/2015

OTHER PUBLICATIONS

PCT App. No. PCT/US2017/019120; International Search Report and Written Opinion dated May 5, 2017; pp. 1-48.

* cited by examiner

FIG. 1

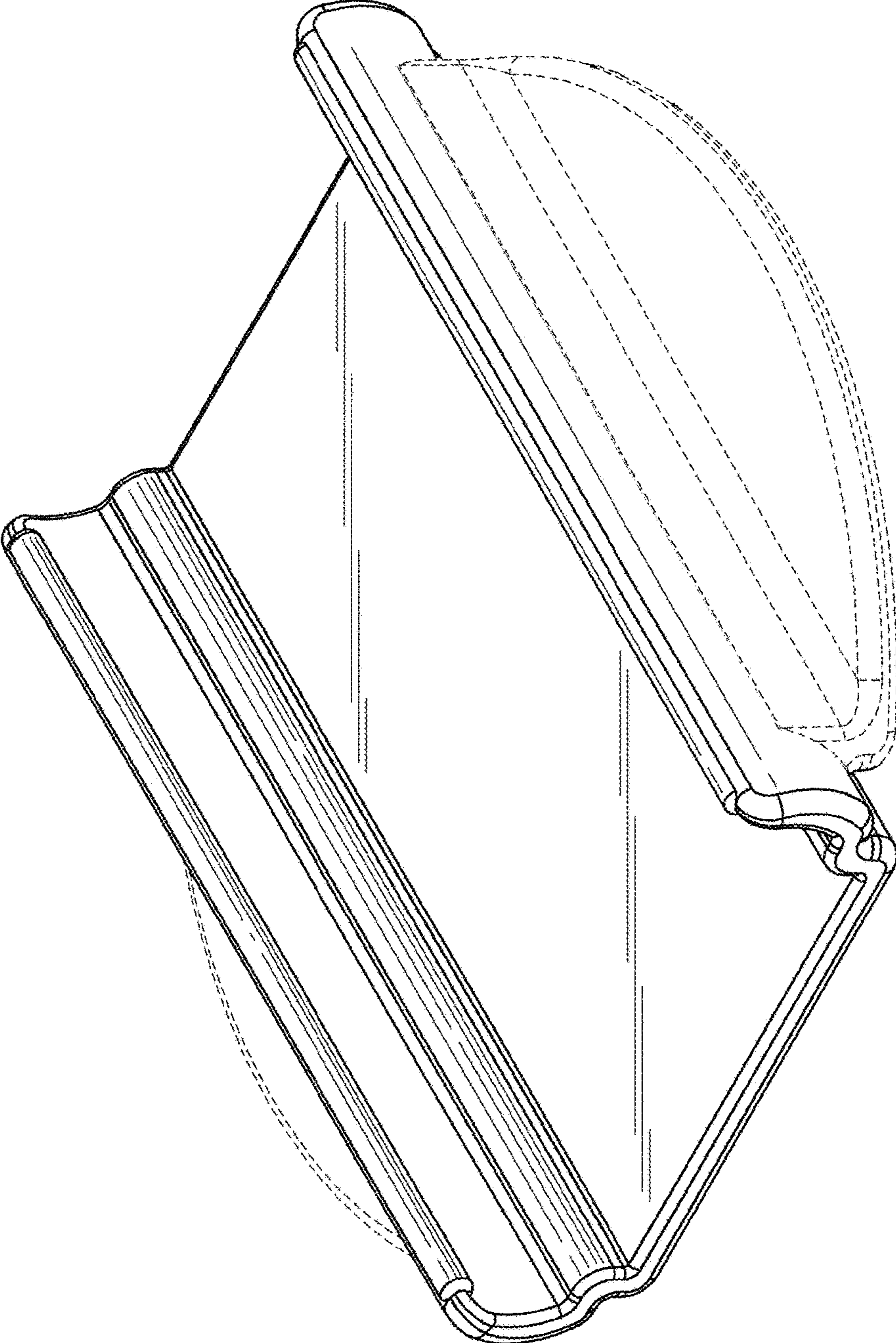


FIG. 2

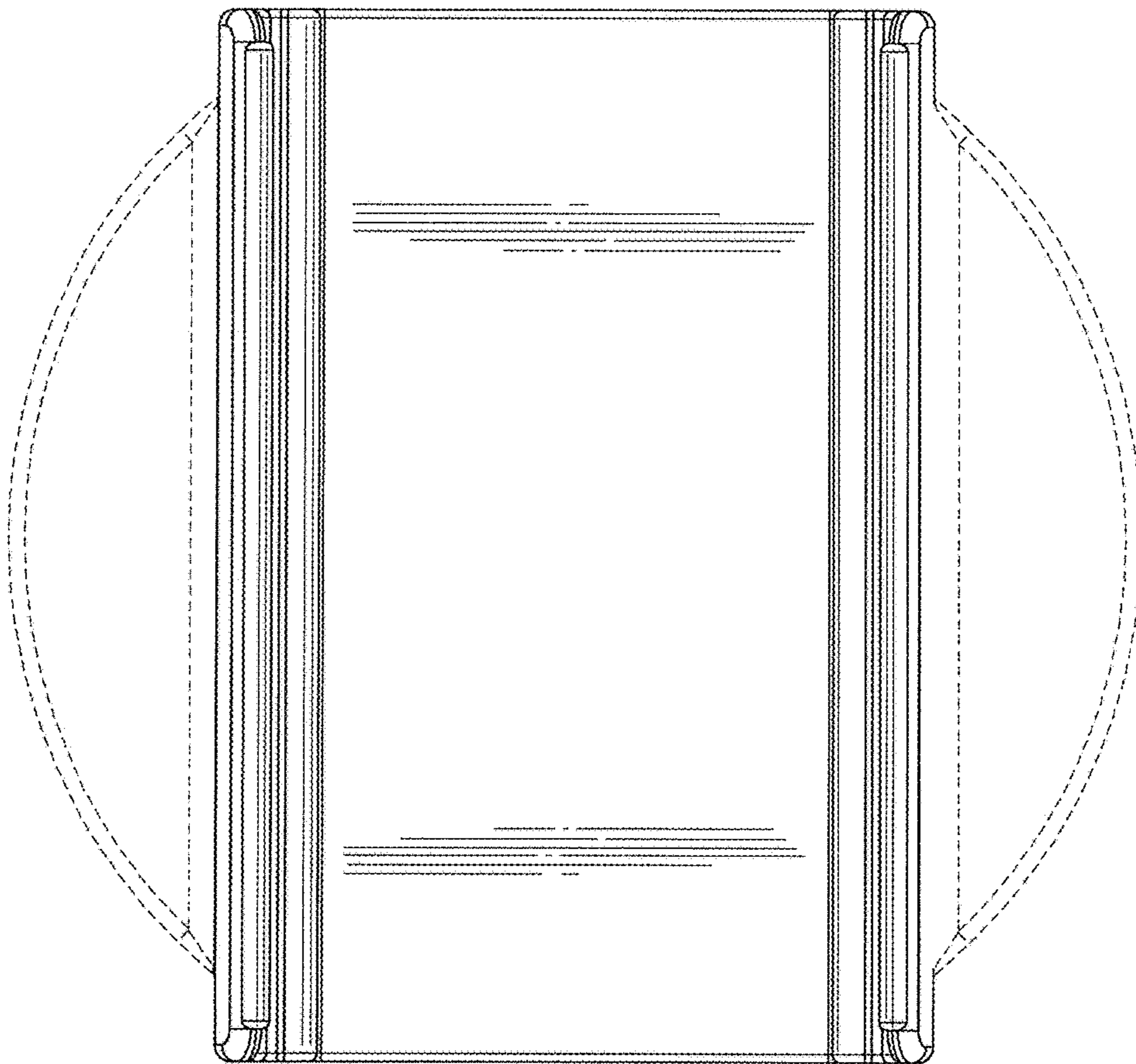


FIG. 3

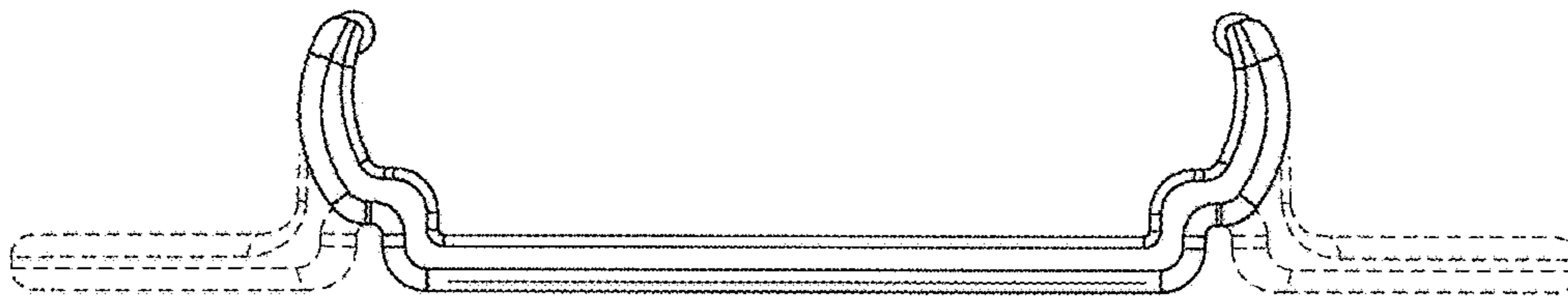


FIG. 4

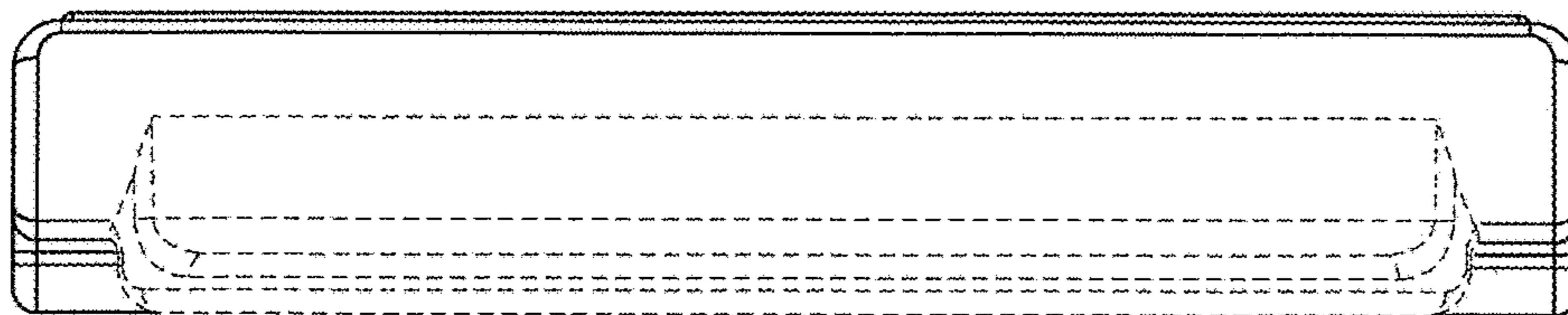
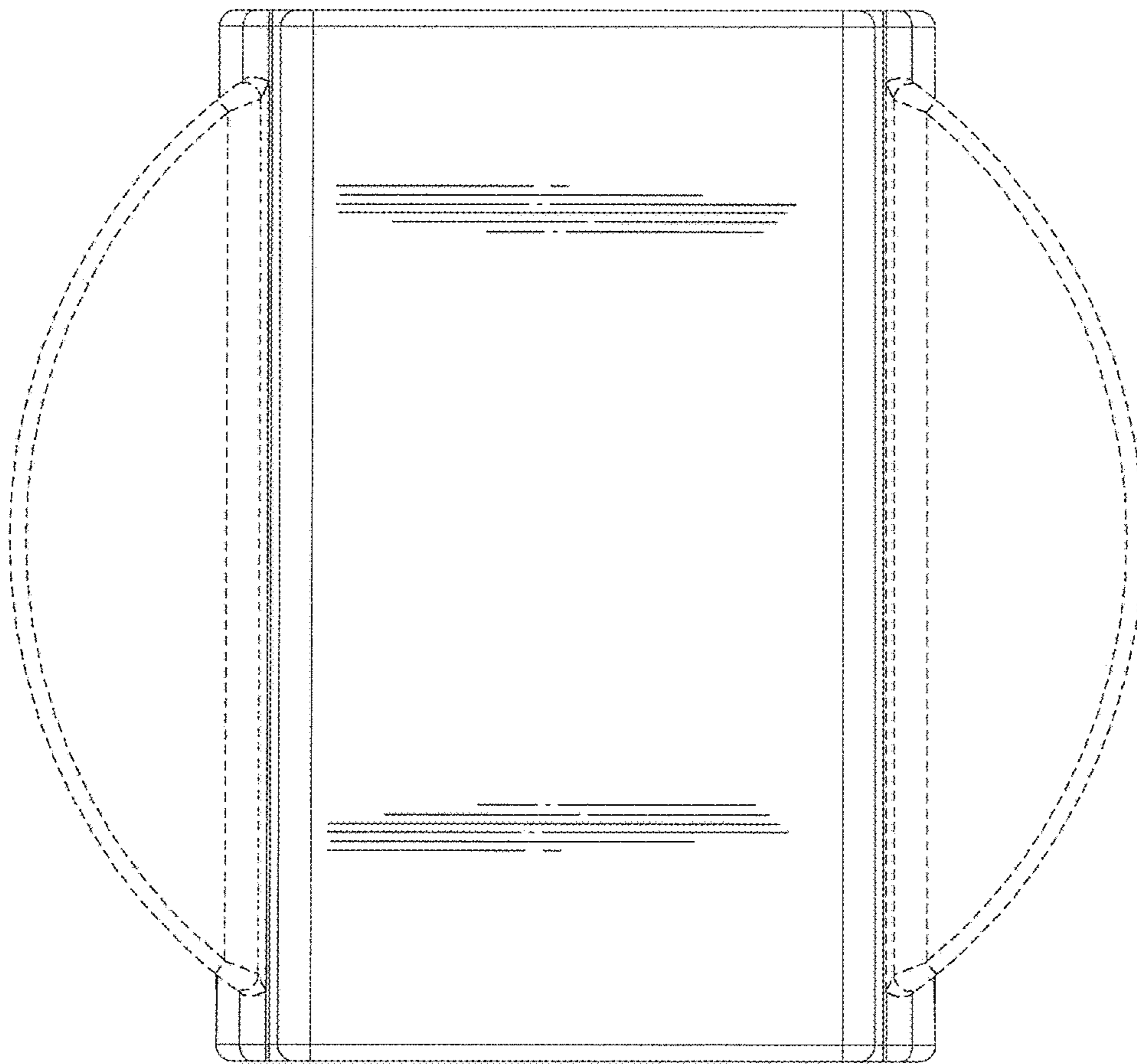


FIG. 5



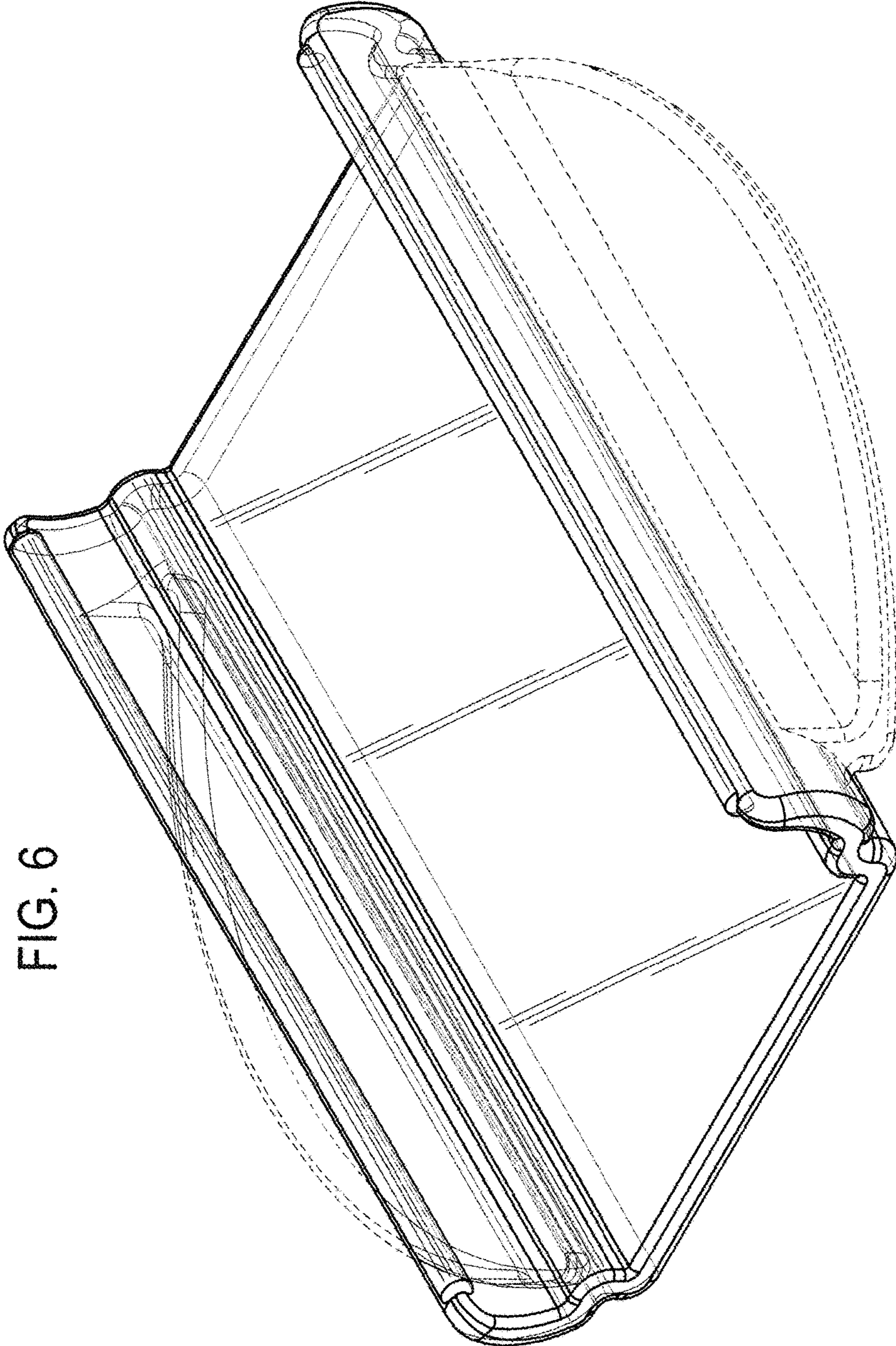


FIG. 6

FIG. 7

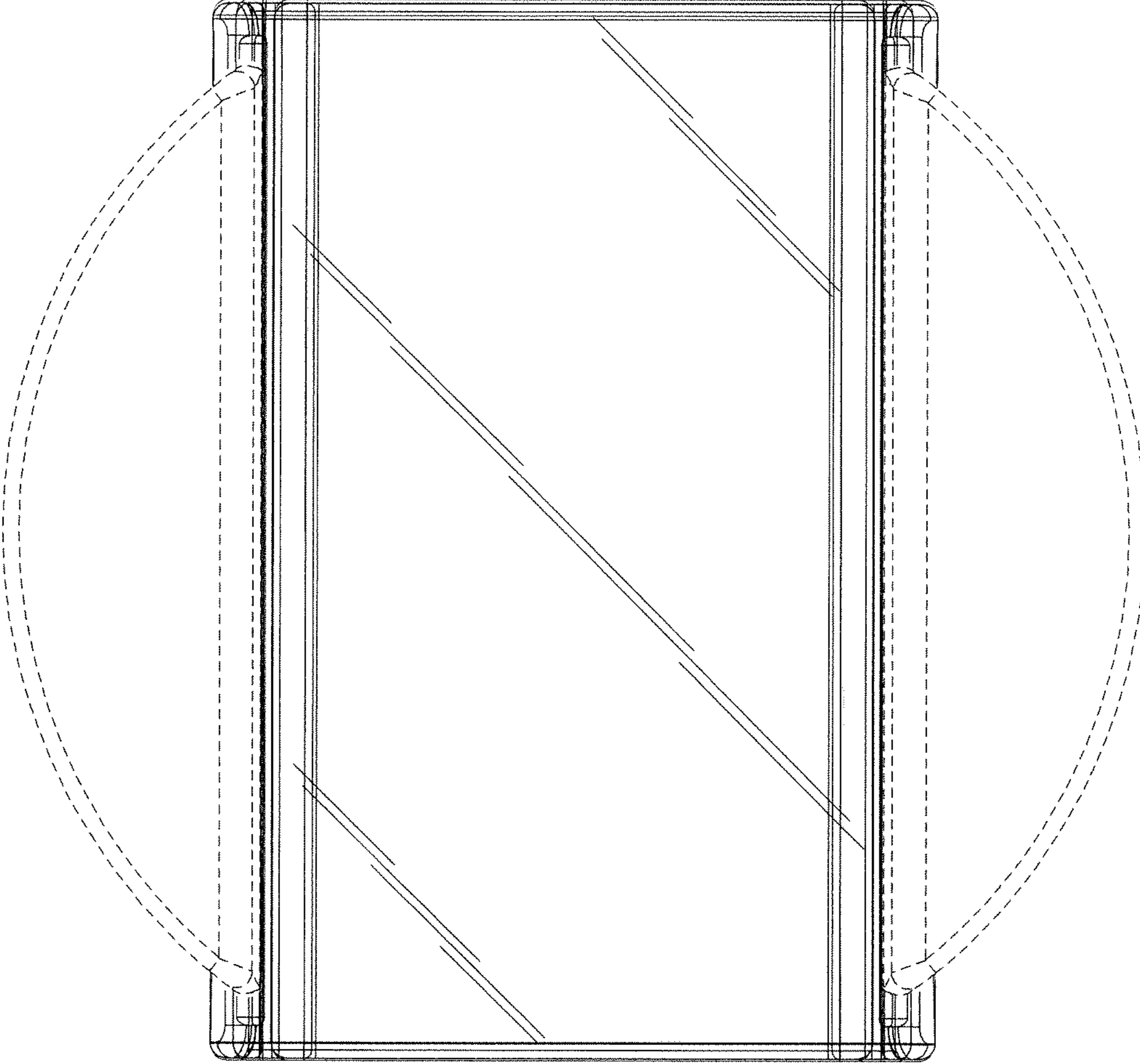


FIG. 8

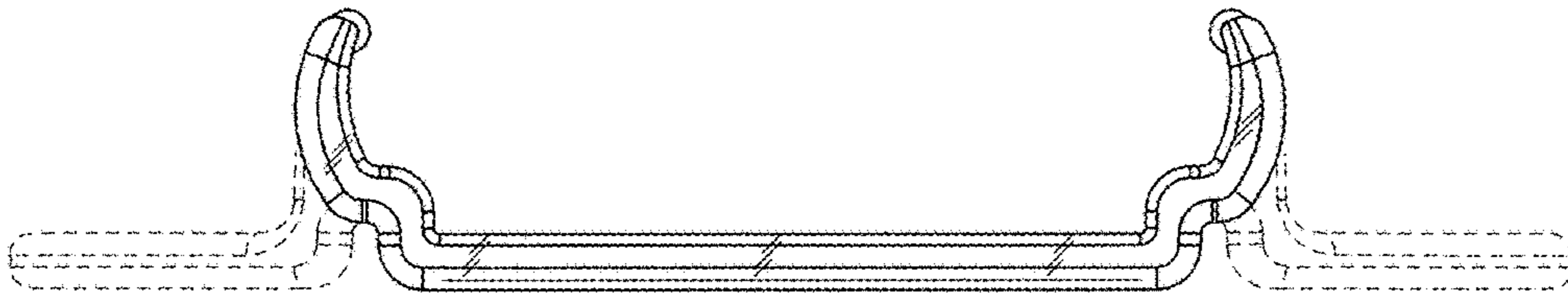


FIG. 9

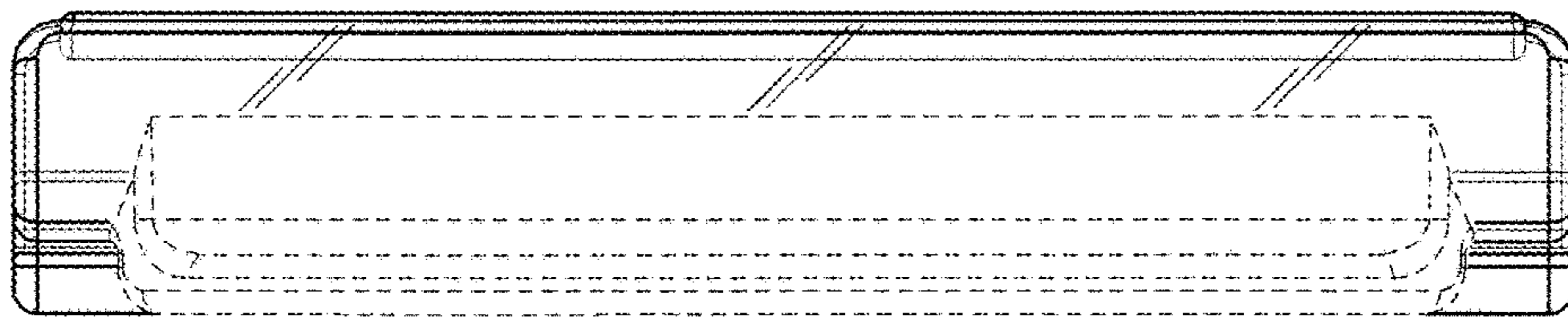


FIG. 10

