



US00D868169S

(12) **United States Design Patent**
Kelley et al.

(10) **Patent No.:** **US D868,169 S**

(45) **Date of Patent:** **** Nov. 26, 2019**

(54) **TOY BUILDING PANEL**

(71) Applicant: **Box Tiles LLC**, Highland Park, IL (US)

(72) Inventors: **Joseph M. Kelley**, Highland Park, IL (US); **Noah J. Ornstein**, Highland Park, IL (US)

(73) Assignee: **Box Tiles LLC**, Highland Park, IL (US)

(**) Term: **15 Years**

(21) Appl. No.: **29/609,365**

(22) Filed: **Jun. 29, 2017**

(51) **LOC (12) Cl.** **21-01**

(52) **U.S. Cl.**
USPC **D21/494**; D21/492

(58) **Field of Classification Search**

USPC D21/484, 487, 489, 492, 494, 503, 506,
D21/507, 511, 811, 814, 818, 820, 821;
D30/119, 160

CPC A01K 31/00; A01K 31/14; A63H 33/04;
A63H 33/044

See application file for complete search history.

(56) **References Cited**

U.S. PATENT DOCUMENTS

1,863,995 A	6/1932	Ponstingl
2,951,311 A	9/1960	Luther
2,968,118 A	1/1961	Paulson
3,661,689 A	5/1972	Spanier
3,712,539 A	1/1973	Staats
3,768,846 A	10/1973	Hensley

(Continued)

FOREIGN PATENT DOCUMENTS

CN	201591981 U	9/2010
CN	ZL2016304680837	3/2017

(Continued)

OTHER PUBLICATIONS

International Search Report dated Jan. 7, 2015 for PCT/US2014/054902.

(Continued)

Primary Examiner — Cynthia M. Chin

(74) *Attorney, Agent, or Firm* — Fitch, Even, Tabin & Flannery LLP

(57) **CLAIM**

The ornamental design for a toy building panel, as shown and described.

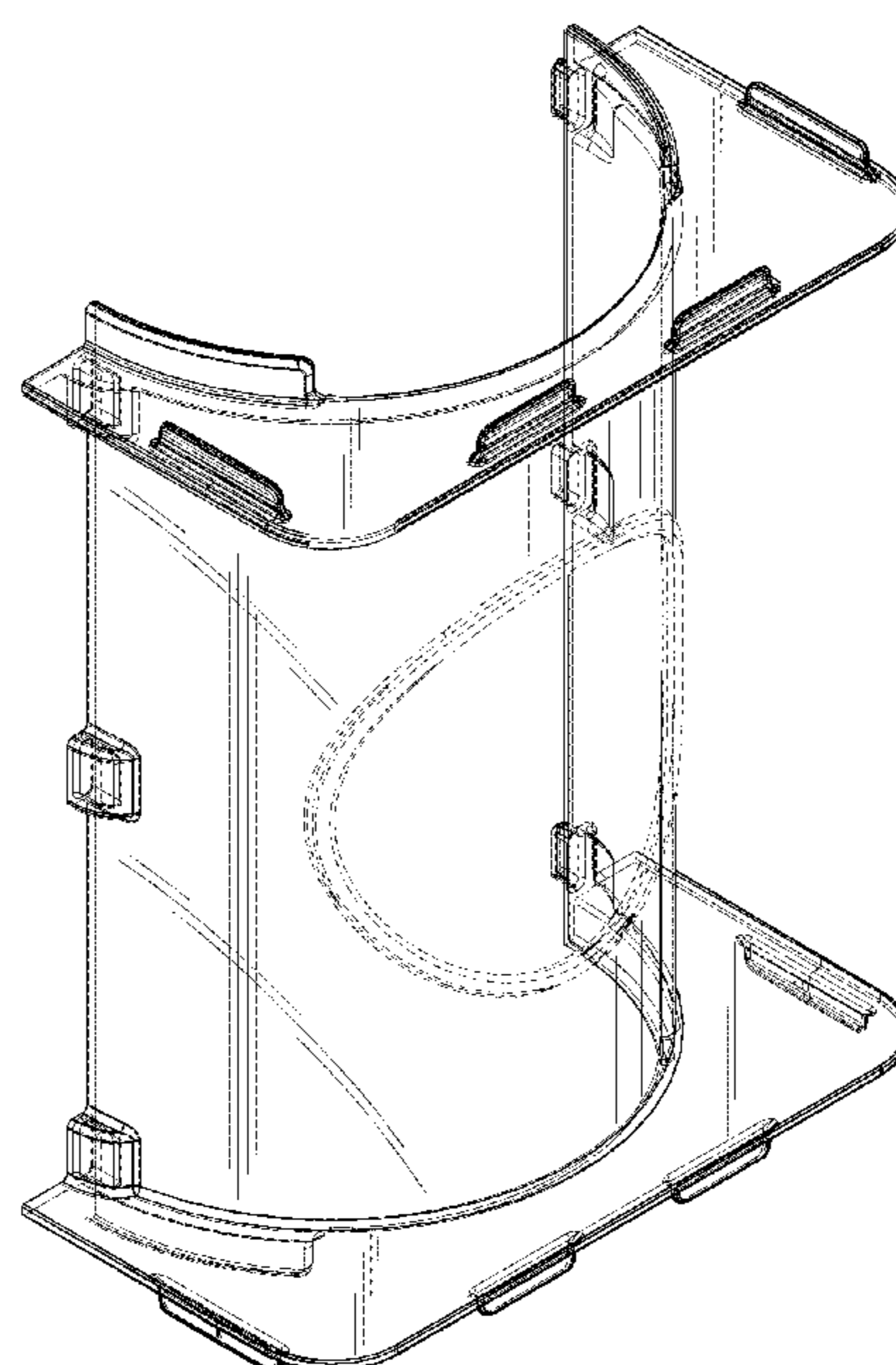
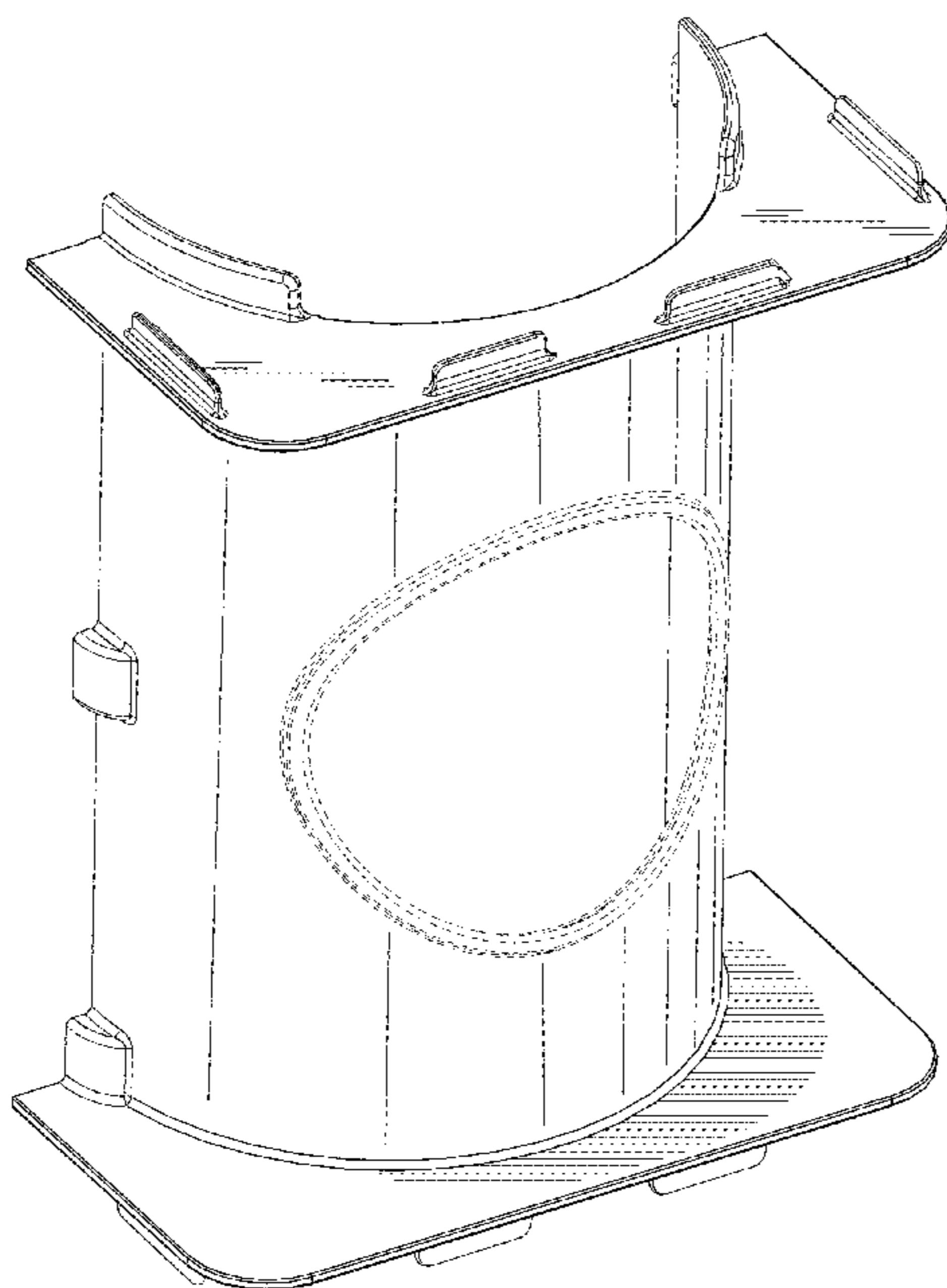
DESCRIPTION

FIG. 1 is a front perspective view of the toy building panel in accordance with a first embodiment of our new design; FIG. 2 is a bottom plan view thereof; FIG. 3 is a right side elevation view thereof, the left side elevation view being a mirror image thereof; FIG. 4 is a front elevation view thereof; FIG. 5 is a top plan view thereof; FIG. 6 is a rear elevation view thereof; FIG. 7 is a front perspective view of the toy building panel in accordance with a second embodiment of our new design; FIG. 8 is a bottom plan view thereof; FIG. 9 is a right side elevation view thereof, the left side elevation view being a mirror image thereof; FIG. 10 is a front elevation view thereof; FIG. 11 is a top plan view thereof; and, FIG. 12 is a rear elevation view thereof.

The broken lines illustrate portions of the toy building panel that form no part of the claimed design.

The oblique shade lines in FIGS. 7-12 represent a transparent or translucent surface and not surface ornamentation.

1 Claim, 12 Drawing Sheets



(56)

References Cited

U.S. PATENT DOCUMENTS

3,890,738 A 6/1975 Bassani
 3,902,291 A 9/1975 Zucht
 3,998,004 A 12/1976 Ehrlich
 4,192,083 A 3/1980 Rebbeck
 4,193,221 A 3/1980 Beck
 4,227,337 A 10/1980 Murray et al.
 4,255,837 A 3/1981 Holtz
 4,258,479 A 3/1981 Roane
 4,334,870 A 6/1982 Roane
 4,334,871 A 6/1982 Roane
 4,345,762 A 8/1982 Lebelson
 4,561,223 A 12/1985 Gold et al.
 4,884,988 A 12/1989 McMurray
 D308,562 S * 6/1990 Pentes D21/826
 5,009,625 A 4/1991 Longuet-Higgins
 5,021,021 A 6/1991 Ballard
 5,134,812 A 8/1992 Hoffman et al.
 5,161,827 A 11/1992 Grosso
 5,222,902 A 6/1993 Piersch
 5,230,172 A 7/1993 Hsu
 D346,627 S * 5/1994 Bach D21/501
 D353,866 S * 12/1994 Houry D21/490
 5,417,603 A 5/1995 De Chazal
 D362,474 S * 9/1995 Voldmester D21/501
 5,482,491 A 1/1996 Kichijyo
 D380,791 S 7/1997 Gabriel
 D381,730 S * 7/1997 van Huystee D21/814
 D389,892 S * 1/1998 Van Wagenen D21/827
 5,803,146 A 9/1998 Boon
 5,830,032 A 11/1998 Campbell
 5,860,264 A 1/1999 Gephart
 5,871,384 A 2/1999 Kichijo
 5,888,114 A 3/1999 Slocum et al.
 D420,086 S * 2/2000 Ratliff D21/814
 6,032,590 A 3/2000 Chen
 6,113,203 A 9/2000 Chen
 6,298,591 B1 10/2001 Healy
 6,431,936 B1 8/2002 Kiribuchi
 6,464,553 B2 10/2002 Huang
 6,488,346 B2 12/2002 Chen
 6,500,007 B2 12/2002 Pupulin
 6,824,440 B2 11/2004 Brener
 6,969,294 B2 11/2005 Vicentelli
 7,004,082 B2 2/2006 Yang
 D521,774 S * 5/2006 Yoshino D6/309
 7,066,778 B2 6/2006 Kretzschmar
 D532,054 S 11/2006 Kim
 7,154,363 B2 12/2006 Hunts
 7,273,404 B2 9/2007 Kowalski et al.
 7,364,487 B2 4/2008 Evans
 7,373,748 B2 5/2008 Pitcher et al.
 7,520,080 B2 4/2009 Pitcher et al.
 D594,923 S * 6/2009 Auberger D21/814
 7,559,821 B2 7/2009 Pacheco
 7,743,541 B2 6/2010 Suciu et al.
 7,833,078 B2 11/2010 Kretzschmar
 7,922,417 B2 4/2011 Jimenez
 8,282,438 B2 10/2012 Tamulewicz
 8,753,162 B2 6/2014 Jensen
 D713,474 S 9/2014 Roberson
 8,850,683 B2 10/2014 Haughey et al.

8,875,427 B2 11/2014 Valiulis
 D718,822 S 12/2014 Lee
 8,904,688 B1 12/2014 Rue et al.
 D723,127 S * 2/2015 Green D21/814
 9,266,030 B2 2/2016 Graube
 9,314,707 B2 4/2016 Ornstein
 9,345,980 B2 5/2016 Lee
 D758,516 S * 6/2016 Radford D21/814
 D776,830 S 1/2017 Malpesa Guerrero
 D776,831 S 1/2017 Malpesa Guerrero
 D784,938 S 4/2017 Wang
 D789,312 S 6/2017 Wang
 9,713,777 B2 7/2017 Peterson
 9,734,733 B2 8/2017 Murtagh
 D807,440 S * 1/2018 Hu D21/501
 D809,071 S 1/2018 Liu
 9,887,049 B2 2/2018 De La Rosa
 2001/0004817 A1 6/2001 Auer
 2001/0010992 A1 8/2001 Brazier
 2002/0193046 A1 12/2002 Zebersky
 2005/0241197 A1 11/2005 Ternovits et al.
 2006/0166590 A1 7/2006 Ishikawa
 2009/0013576 A1 1/2009 Jake et al.
 2009/0217560 A1 9/2009 Topcuoglu
 2010/0192437 A1 8/2010 Fallander
 2010/0251659 A1 10/2010 Hughes
 2011/0039473 A1 2/2011 Kretzschmar
 2012/0200561 A1 8/2012 Bando
 2013/0072086 A1 3/2013 Saneshige
 2013/0095722 A1 4/2013 Cochella
 2014/0109448 A1 4/2014 Lehrkamp
 2014/0202054 A1 7/2014 Valentine
 2014/0227934 A1 8/2014 Rudisill
 2015/0367247 A1 12/2015 Kosmo
 2016/0184727 A1 6/2016 Ornstein

FOREIGN PATENT DOCUMENTS

CN ZL2016304680841 3/2017
 CN ZL2016304683356 3/2017
 CN ZL2016304663579 5/2017
 CN ZL2016304663776 5/2017
 CN ZL2016304665771 5/2017
 CN ZL2016304666238 5/2017
 CN ZL2016304668017 5/2017
 CN ZL2016304682442 5/2017
 KR 200414572 4/2006
 KR 1020120082517 7/2012
 KR 101415746 B1 7/2014
 WO 2011139013 A1 11/2011
 WO 2015038581 A1 3/2015
 WO 2015123119 A1 8/2015
 WO 2015141927 A1 9/2015

OTHER PUBLICATIONS

Magformers XL Cruisers Construction Set, available at <http://www.amazon.com/Magformers-XL-Cruisers-Construction-Set/dp/B008EGIIEM>, available Apr. 23, 2013 according to archive.org/web.
 PCT App. No. PCT/US2017/019120; International Search Report and Written Opinion dated May 5, 2017; pp. 1-48.

* cited by examiner

FIG. 1

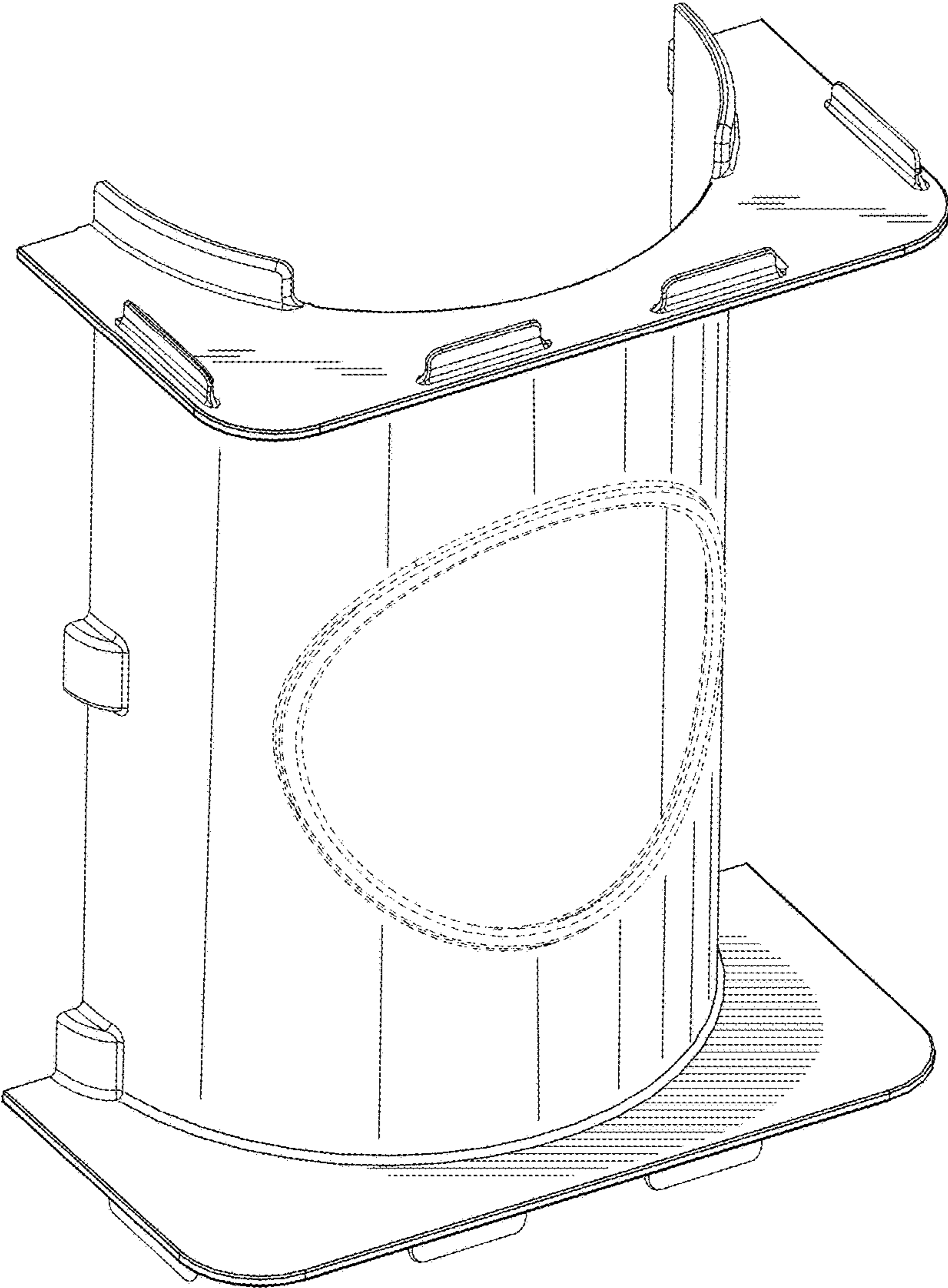


FIG. 2

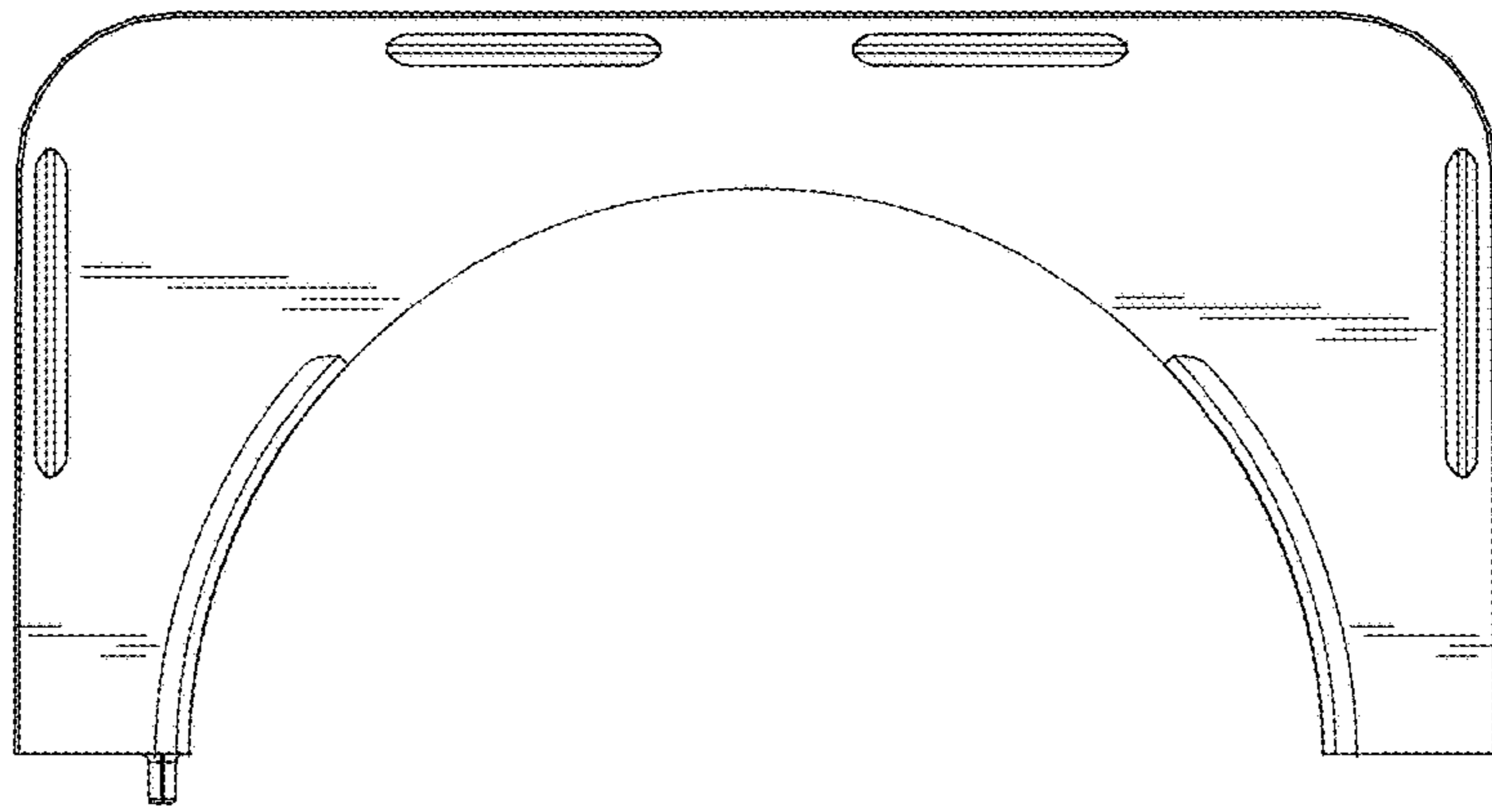


FIG. 3

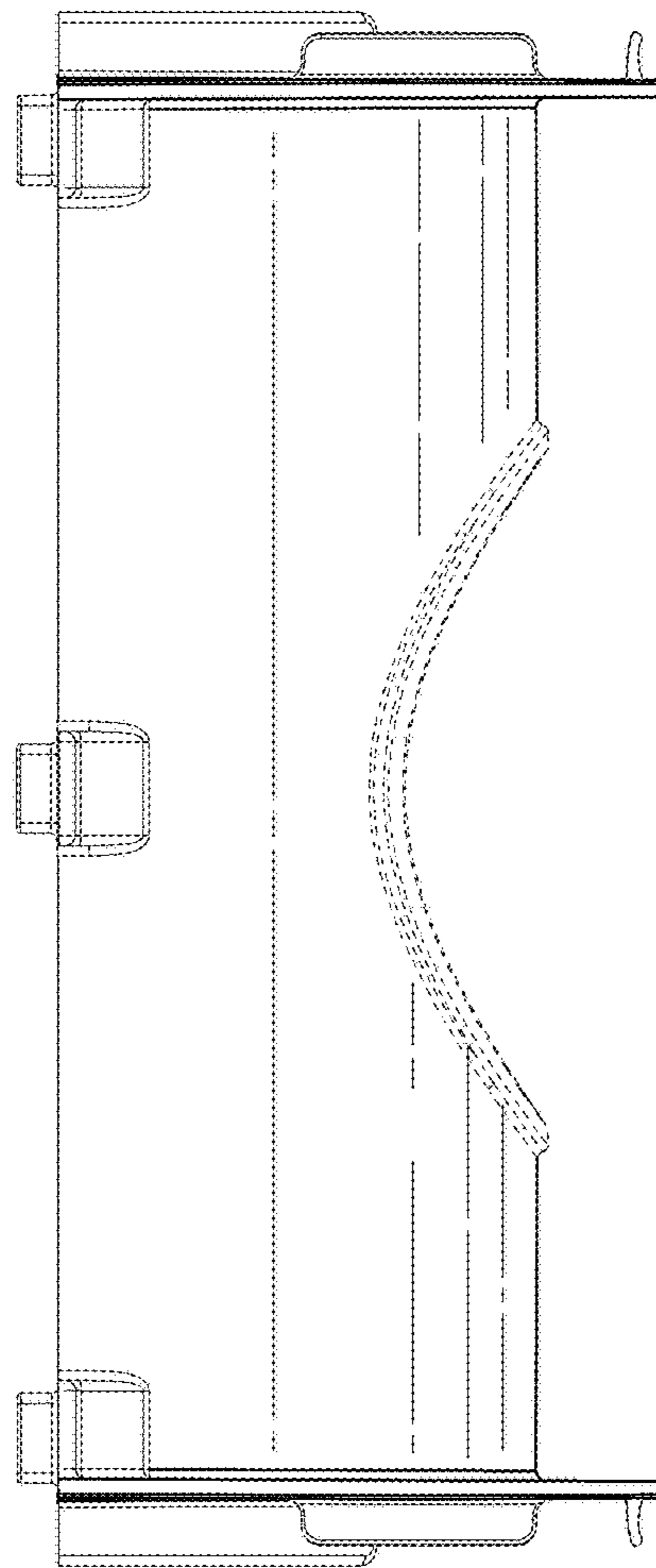


FIG. 4

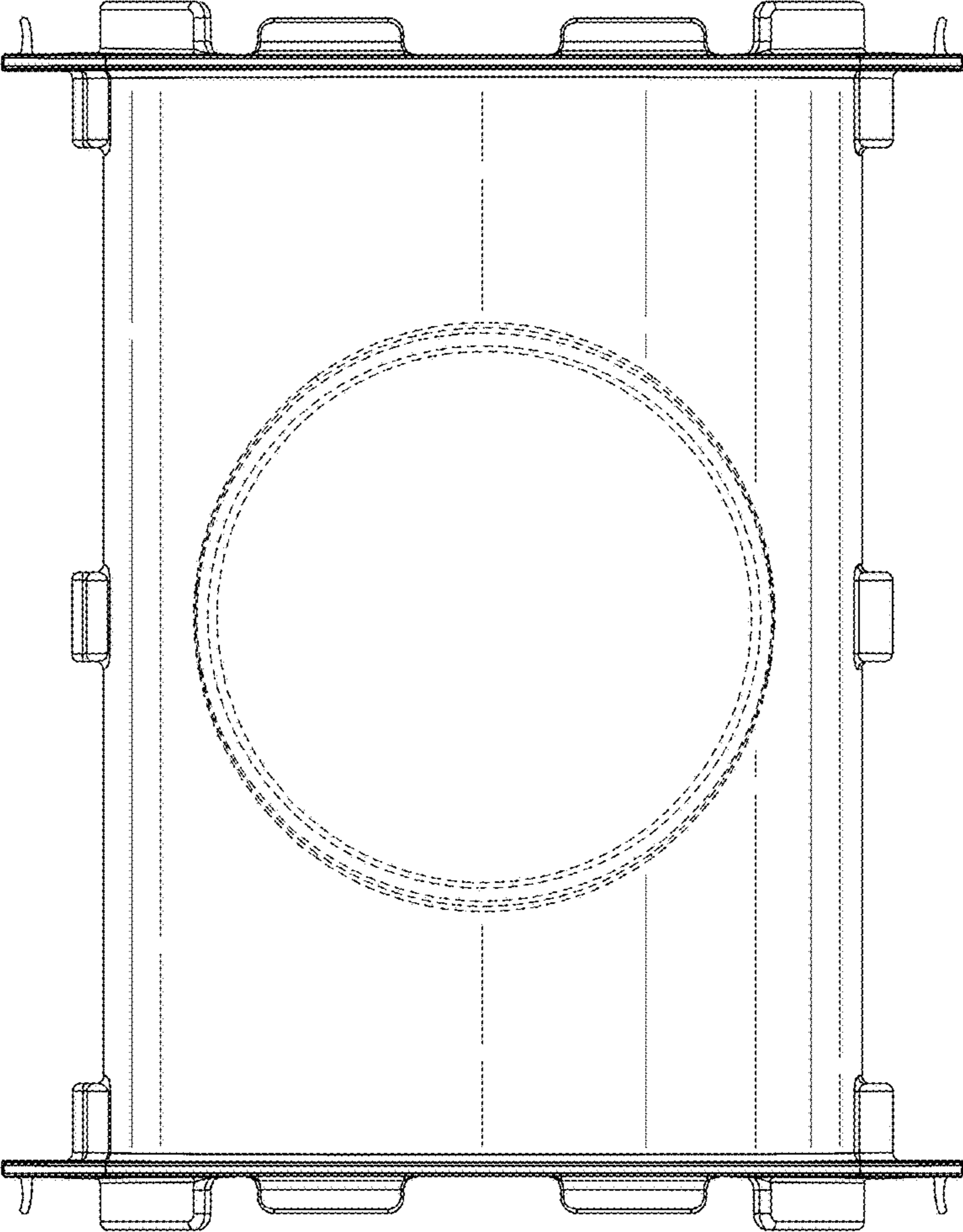


FIG. 5

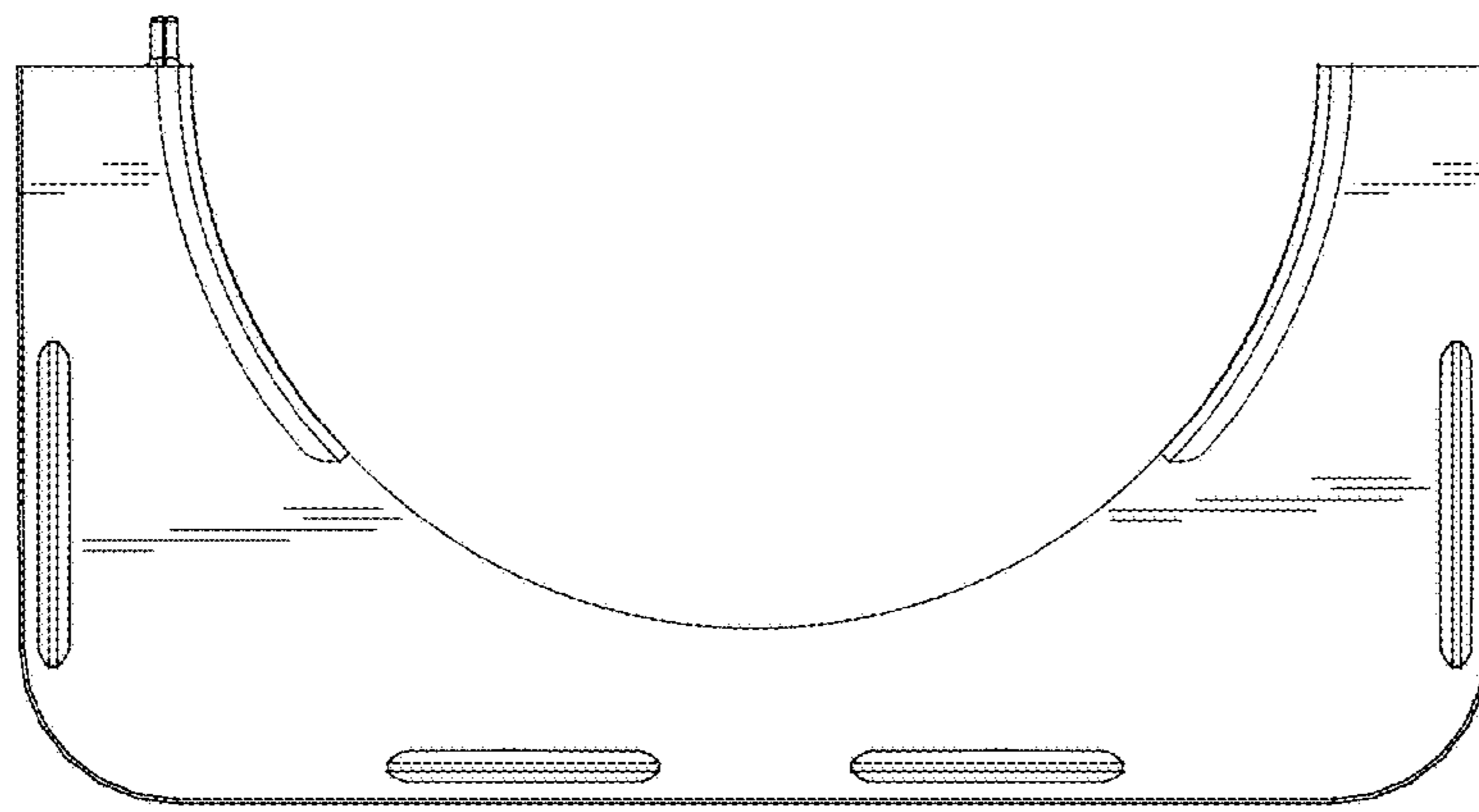


FIG. 6

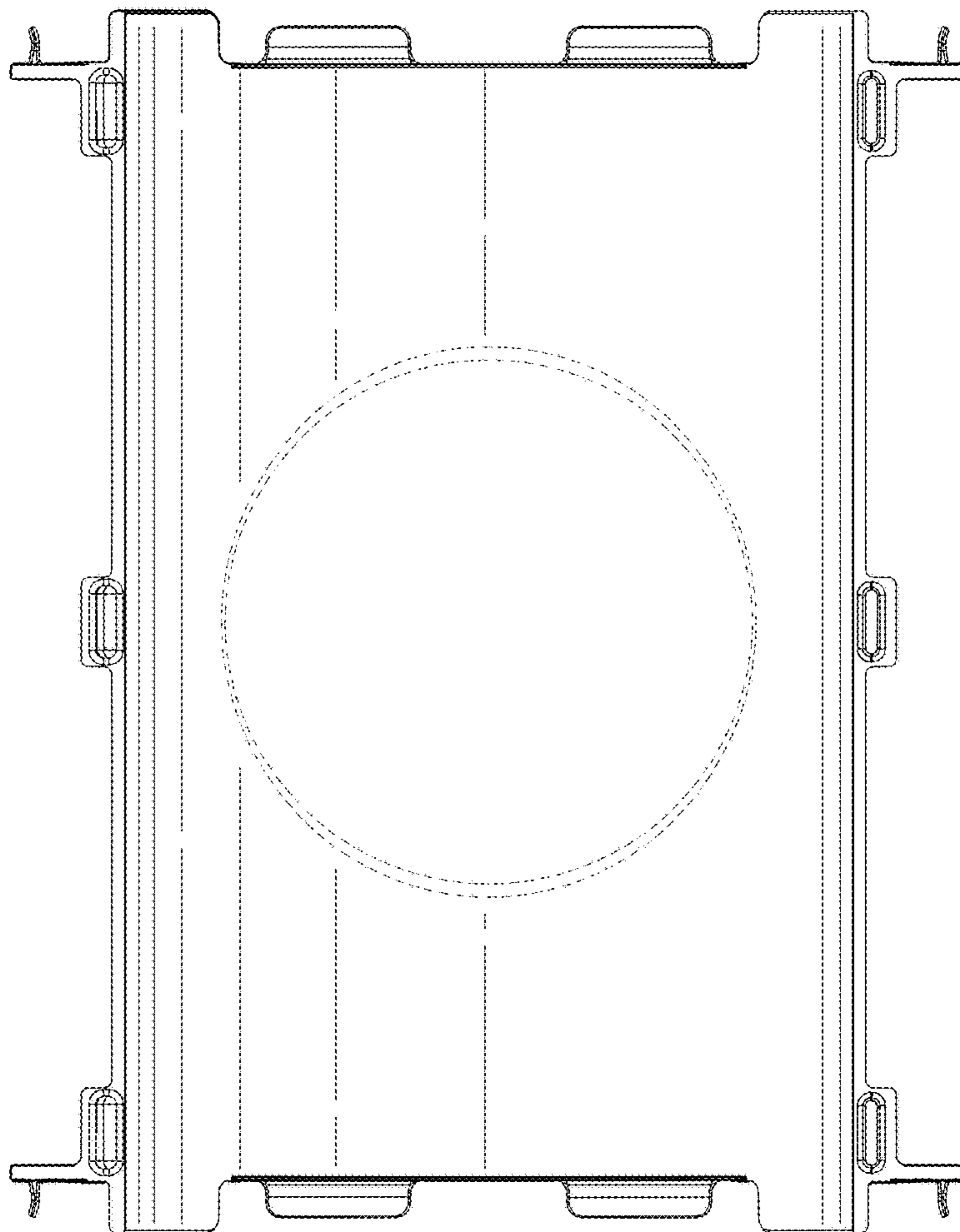


FIG. 7

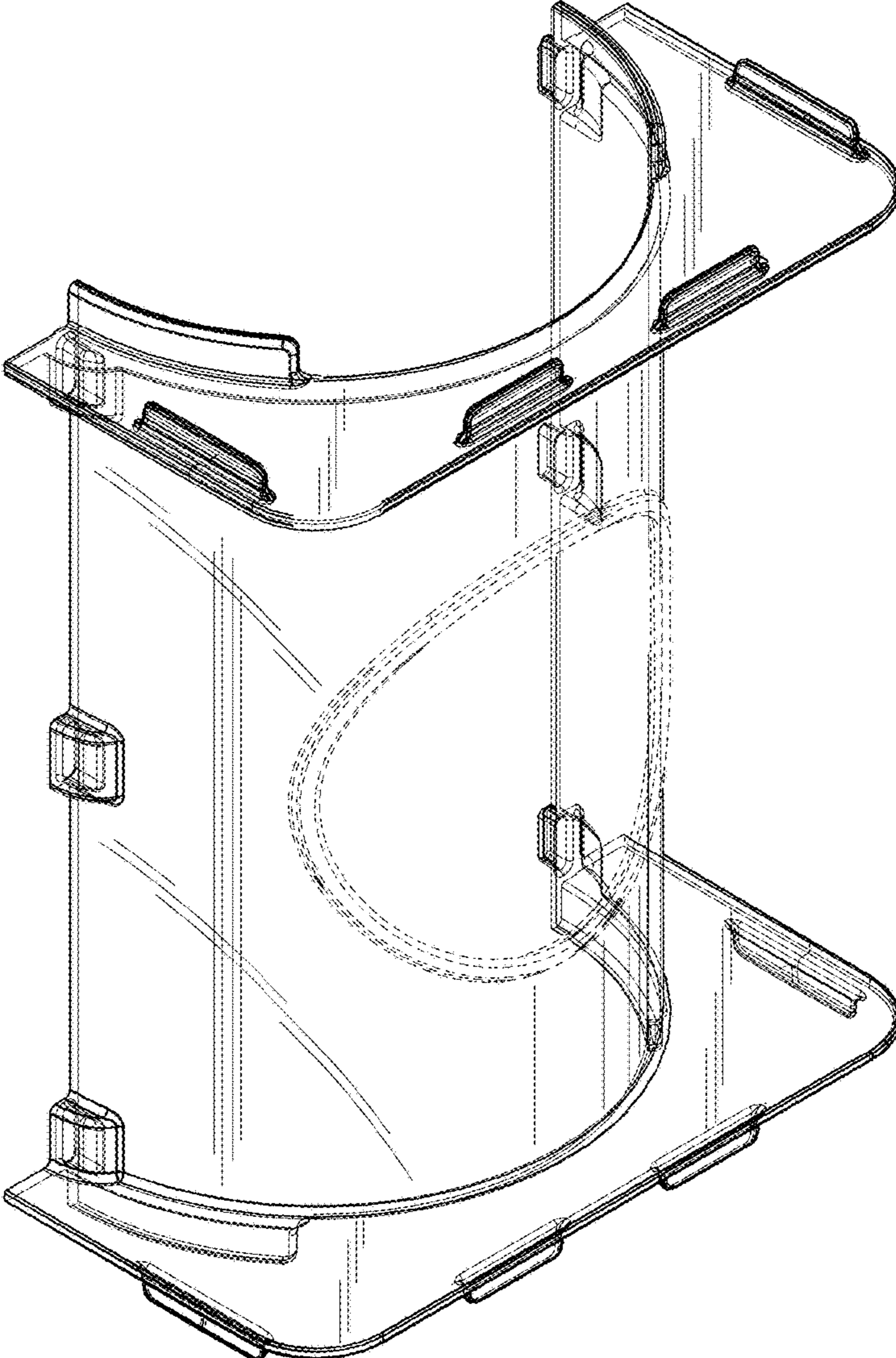


FIG. 8

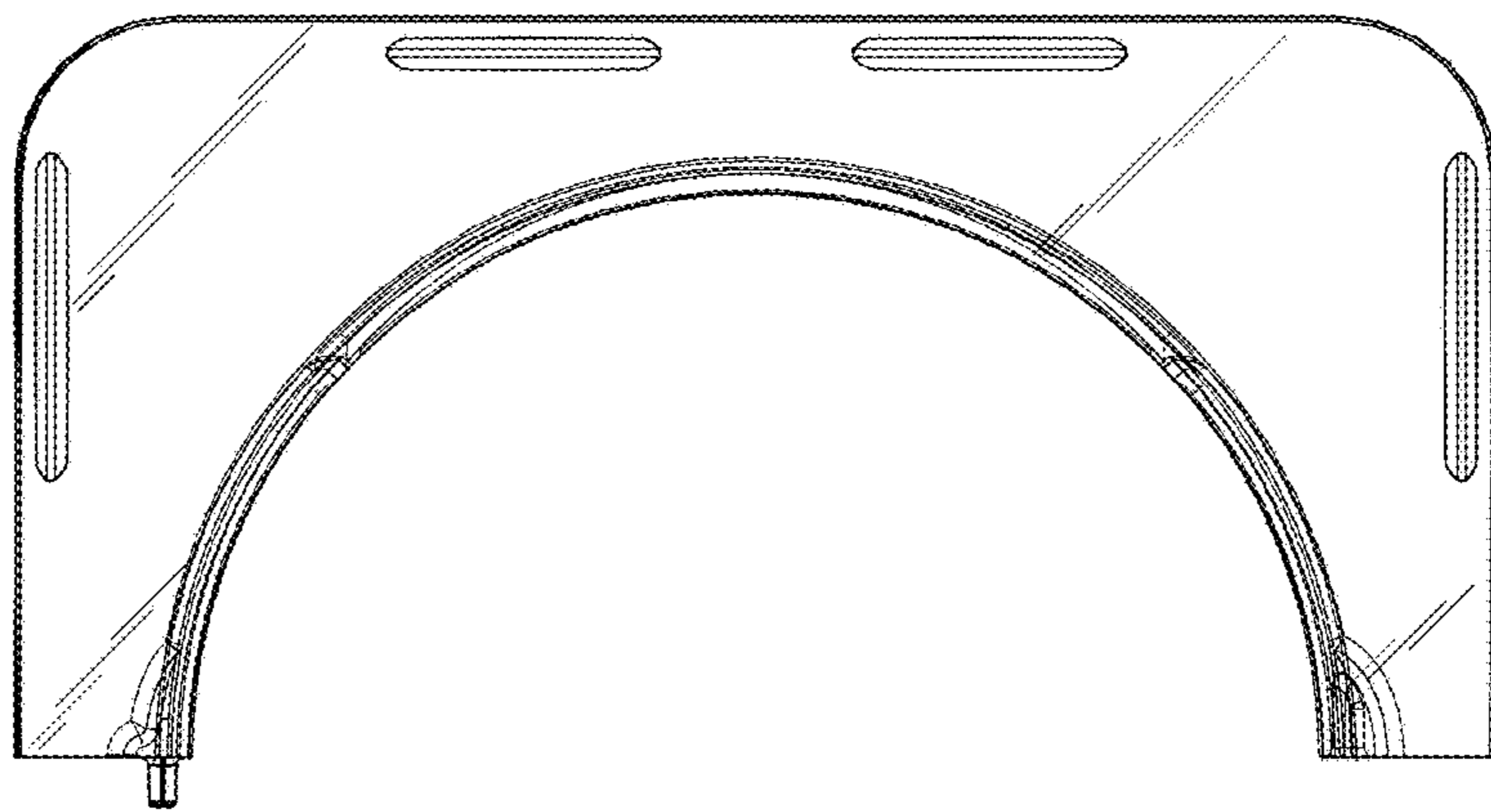


FIG. 9

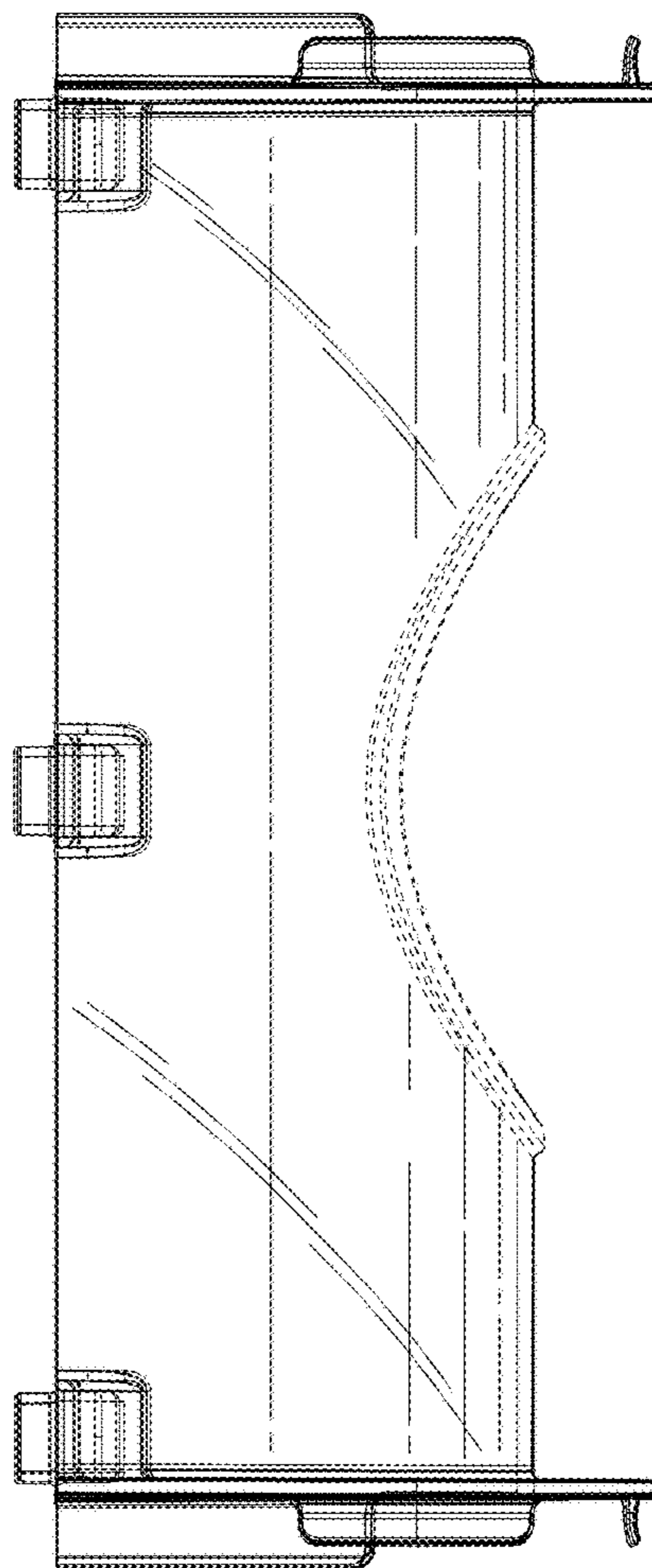


FIG. 10

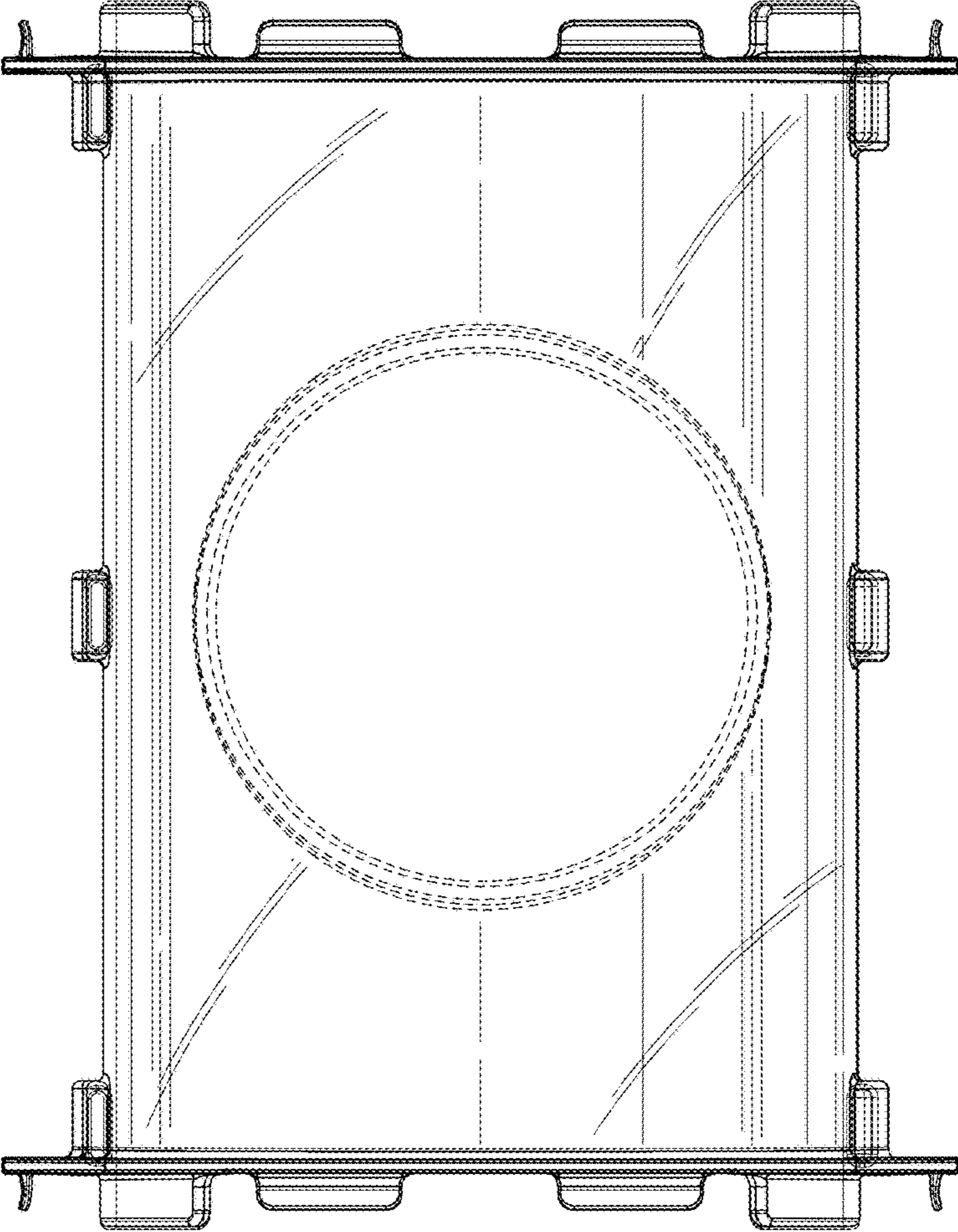


FIG. 11

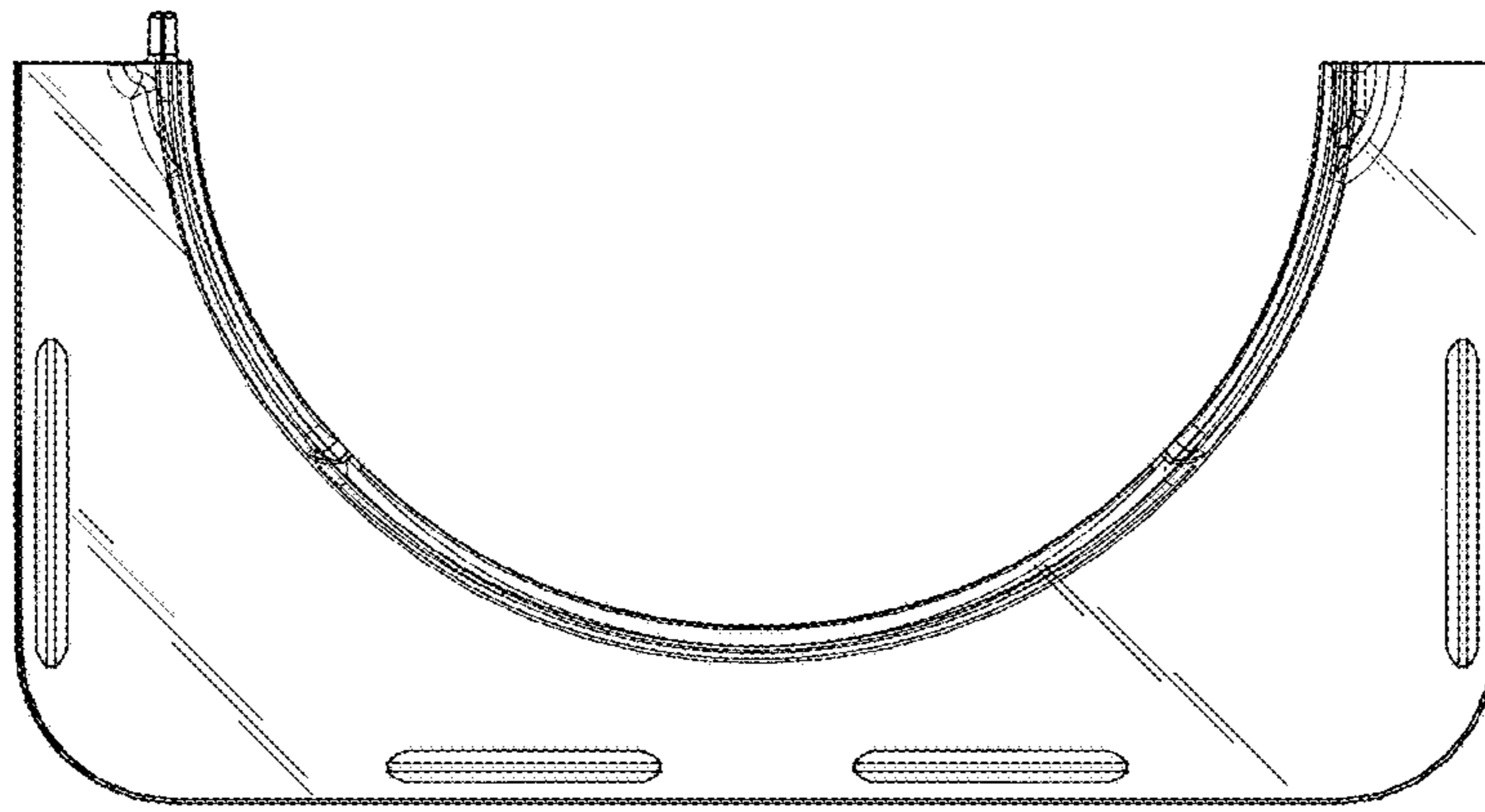


FIG. 12

