



US00D868167S

(12) **United States Design Patent** (10) **Patent No.:** **US D868,167 S**
Ostergaard (45) **Date of Patent:** **** Nov. 26, 2019**

(54) **WAGON TRAILER**
(71) Applicant: **RADIO FLYER INC.**, Chicago, IL (US)
(72) Inventor: **Collin Ostergaard**, Chicago, IL (US)
(73) Assignee: **Radio Flyer Inc.**, Chicago, IL (US)
(**) Term: **15 Years**
(21) Appl. No.: **29/664,652**
(22) Filed: **Sep. 27, 2018**
(51) **LOC (12) Cl.** **21-01**
(52) **U.S. Cl.**
USPC **D21/425**; D12/133
(58) **Field of Classification Search**
USPC D21/425, 534, 536; D12/105, 106, 133;
D34/12, 27
CPC .. B62B 3/00; B62B 3/02; B62B 3/002; B62B
3/003; B62B 3/007; B62B 3/14; B62B
5/08; B62B 5/082; B62B 5/085; B62B
5/087
See application file for complete search history.

(56) **References Cited**
U.S. PATENT DOCUMENTS
D160,792 S * 11/1950 La Fever, Jr. D21/425
D332,639 S * 1/1993 Argandona D21/425
D426,177 S * 6/2000 Lundh D12/133
D466,953 S * 12/2002 Ortiz B62B 3/007
D21/425
7,971,884 B2 * 7/2011 Lundh B62B 9/28
280/32.7
8,029,007 B2 * 10/2011 Jones B62D 63/00
280/204
8,276,922 B2 * 10/2012 Lai B62B 9/28
280/32.7
D682,749 S * 5/2013 Lai D12/133
9,302,558 B2 * 4/2016 Lee B60D 1/249
D769,776 S * 10/2016 Barenbrug D12/133

2003/0030252 A1 * 2/2003 Huang B62B 7/123
280/650
2004/0164510 A1 * 8/2004 Zhuang B62B 9/28
280/63
2006/0290081 A1 * 12/2006 Baum B62B 5/0023
280/32.7
2007/0114738 A1 * 5/2007 Jones B62D 63/00
280/32.7
2008/0001370 A1 * 1/2008 Cousin B62B 9/28
280/32.7
2008/0224432 A1 * 9/2008 Lundh B62B 9/28
280/47.38
2016/0257331 A1 * 9/2016 Nuske B62B 9/12
2019/0092363 A1 * 3/2019 Ostergaard B62B 3/007

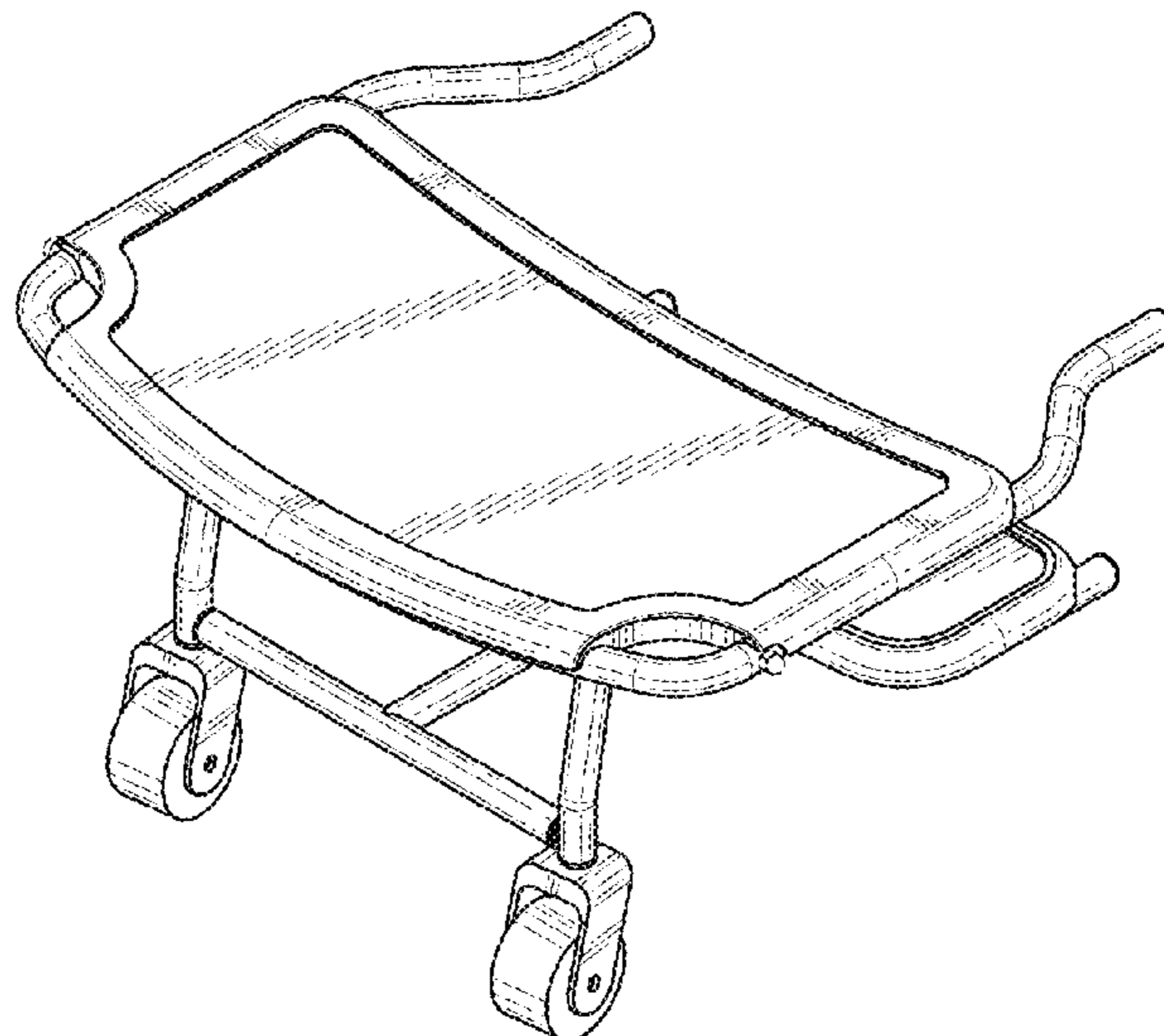
* cited by examiner

Primary Examiner — Cynthia M. Chin
(74) *Attorney, Agent, or Firm* — Barnes & Thornburg
LLP

(57) **CLAIM**
I claim the ornamental design for a wagon trailer, as shown
and described.

DESCRIPTION
FIG. 1 is a front perspective view of the wagon trailer
according to the new design.
FIG. 2 is a front elevation view of the wagon trailer shown
in FIG. 1.
FIG. 3 is a rear elevation view of the wagon trailer shown
in FIG. 1.
FIG. 4 is a left side elevation view of the wagon trailer
shown in FIG. 1.
FIG. 5 is a right side elevation view of the wagon trailer
shown in FIG. 1.
FIG. 6 is a top plan view of the wagon trailer shown in FIG.
1; and,
FIG. 7 is a bottom plan view of the wagon trailer shown in
FIG. 1.
The broken lines in the drawings illustrate portions of the
wagon trailer that form no part of the claimed design.

1 Claim, 7 Drawing Sheets



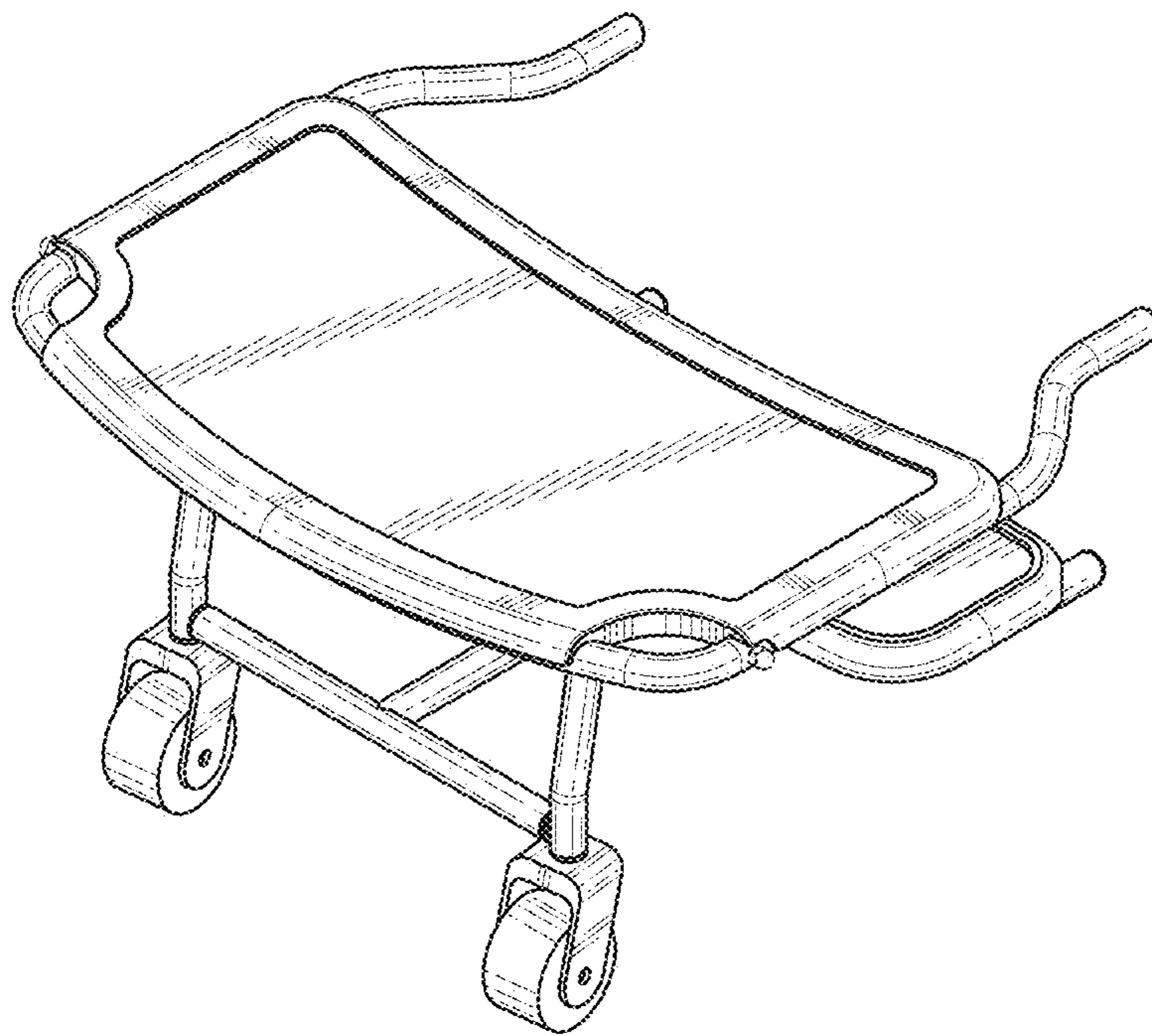


FIG. 1

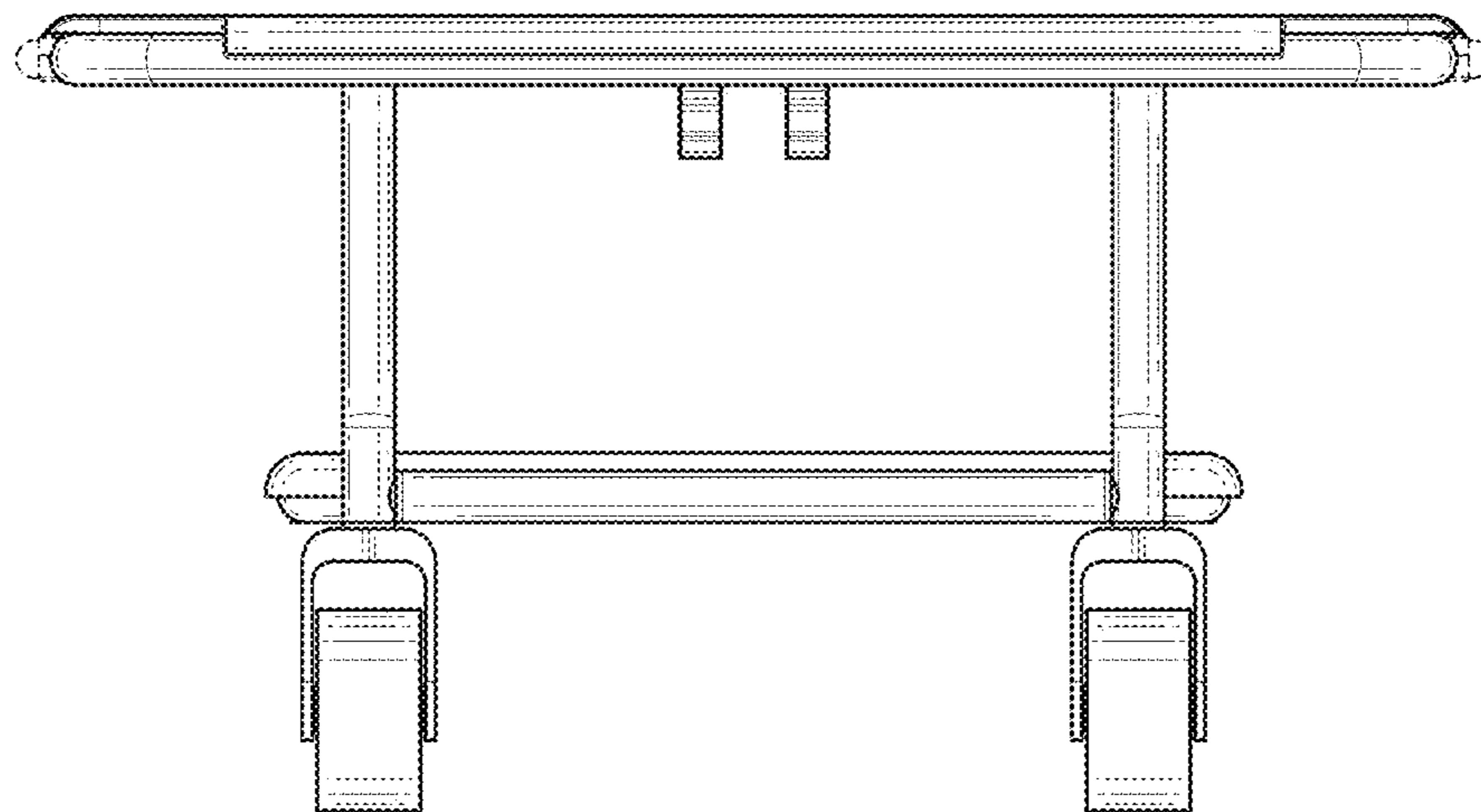


FIG. 2

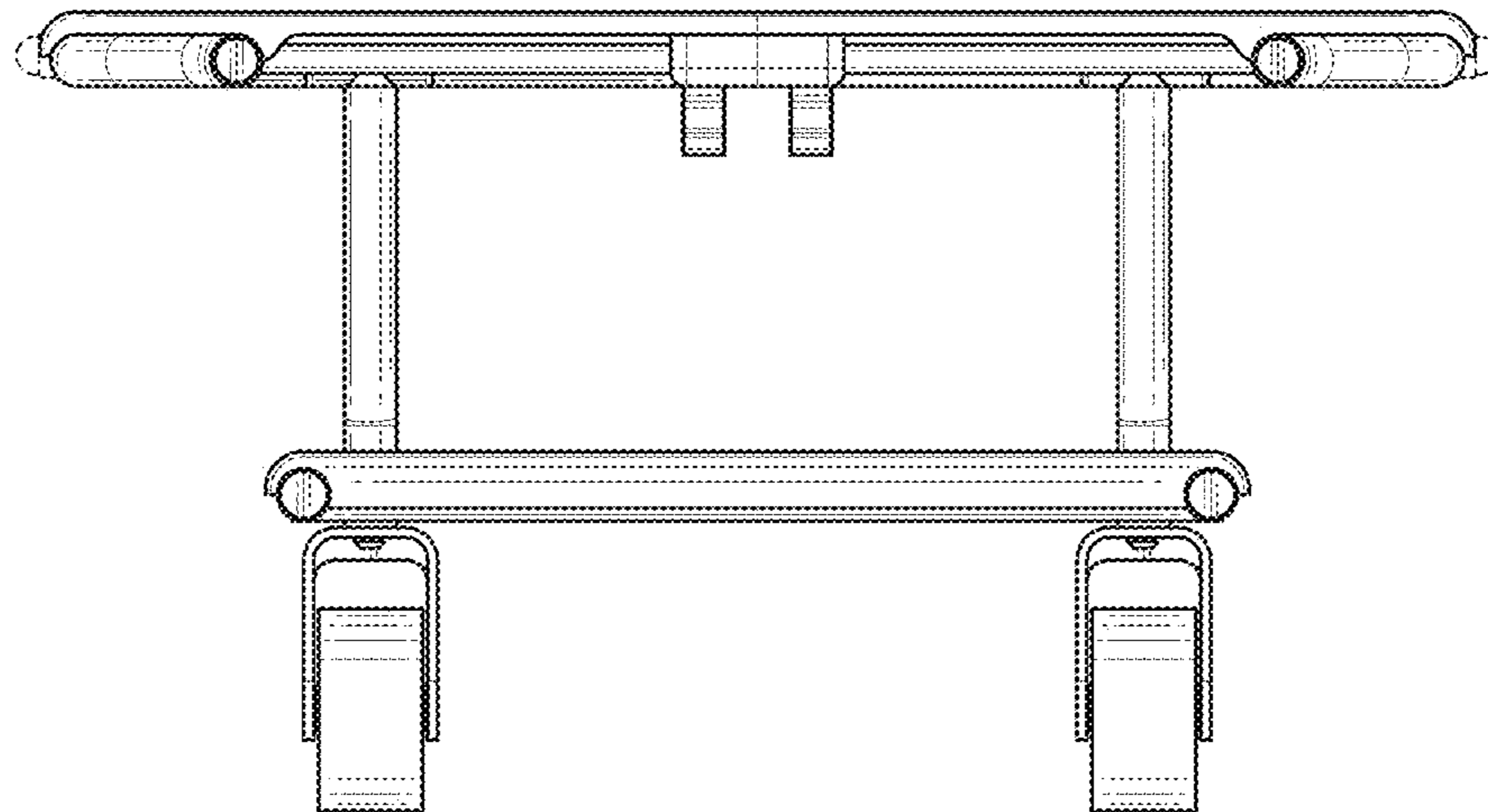


FIG. 3

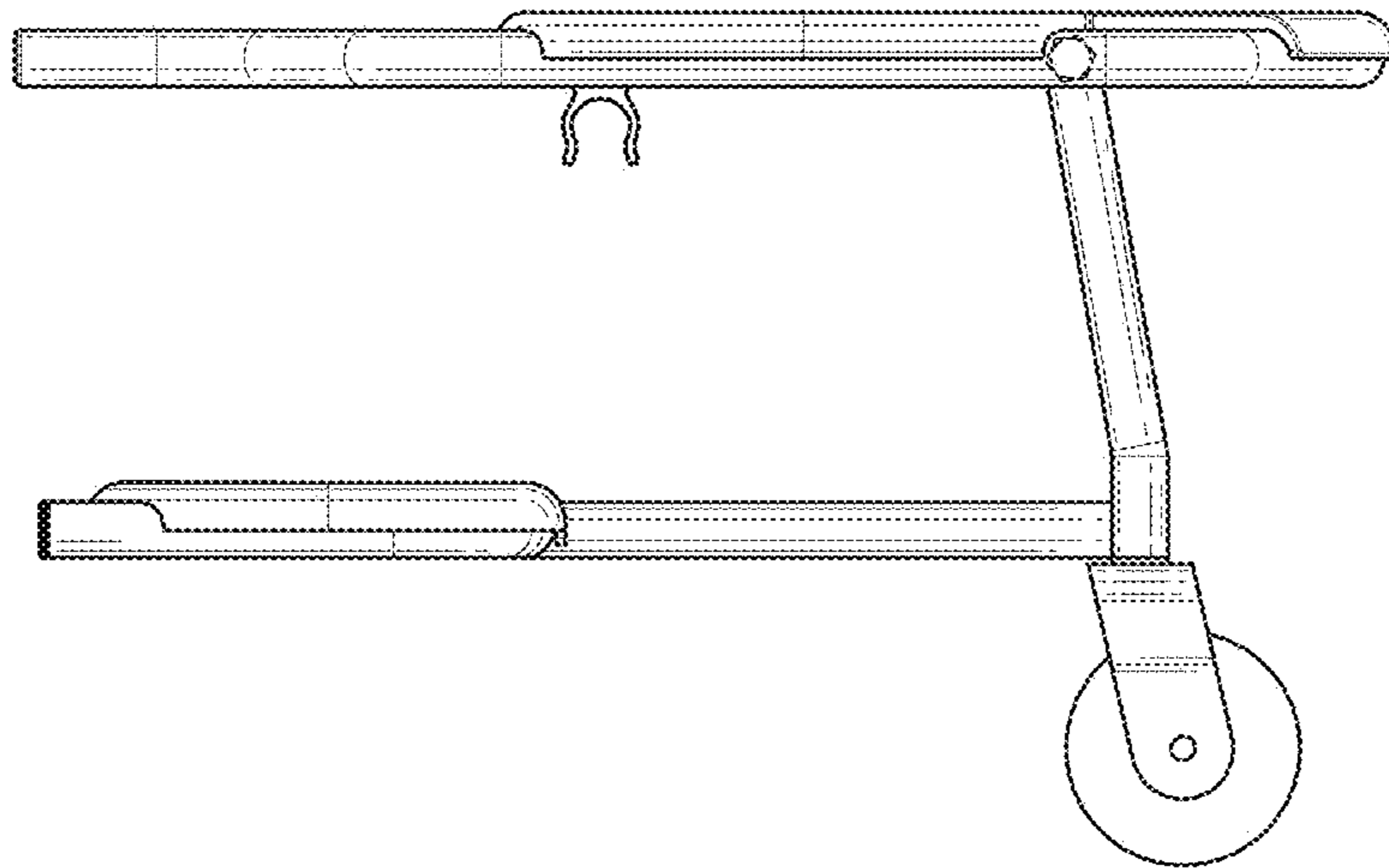


FIG. 4

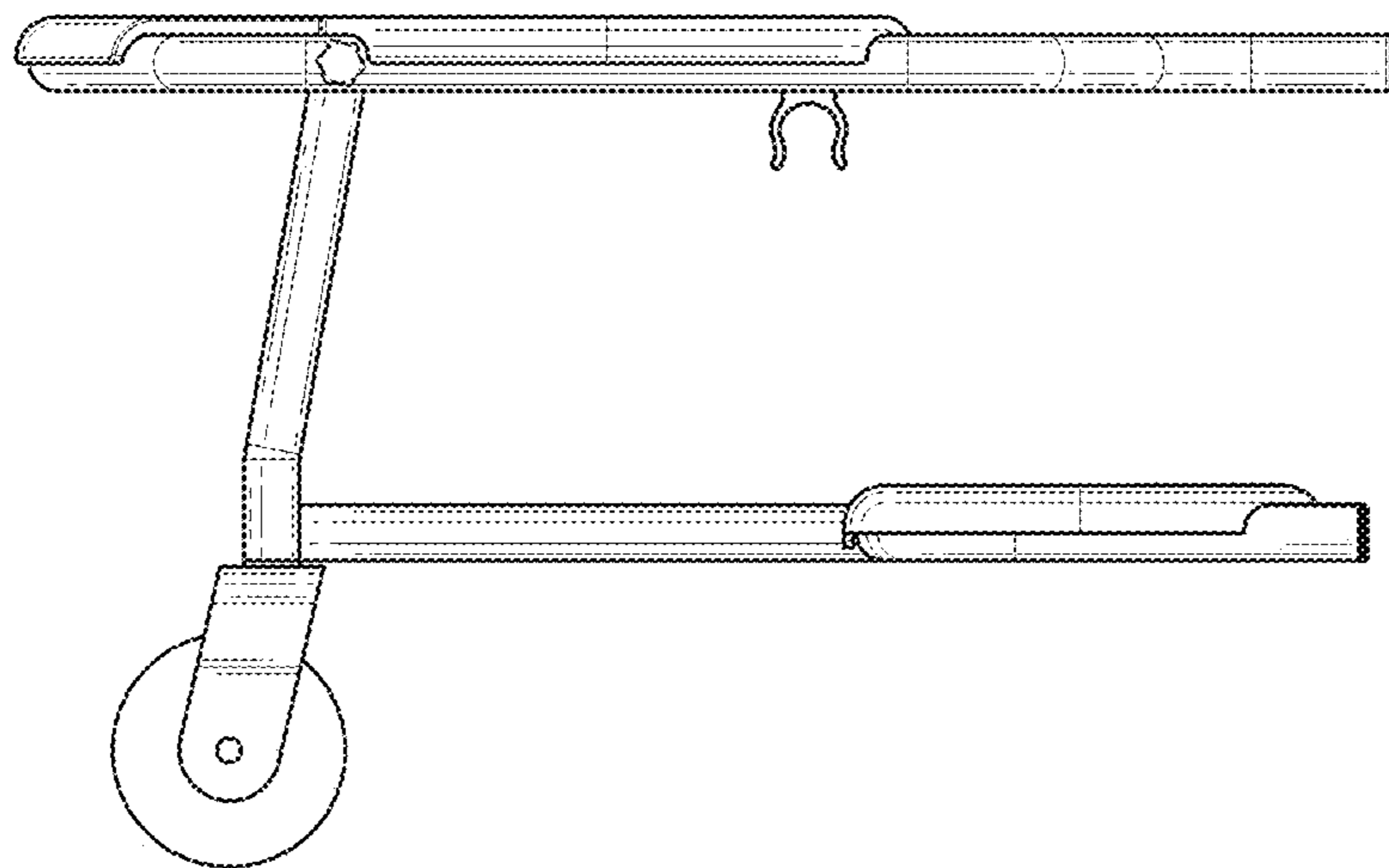


FIG. 5

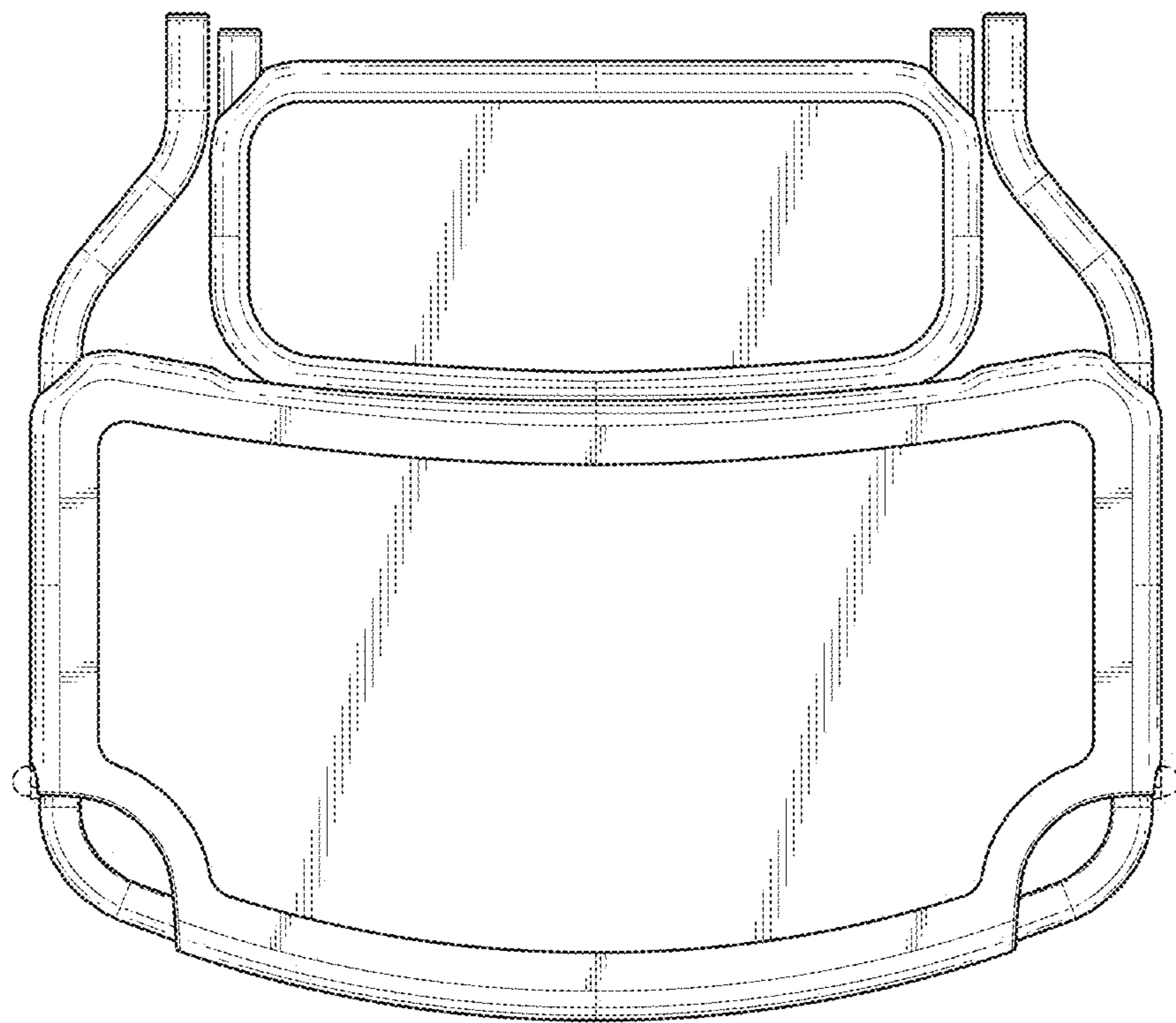


FIG. 6

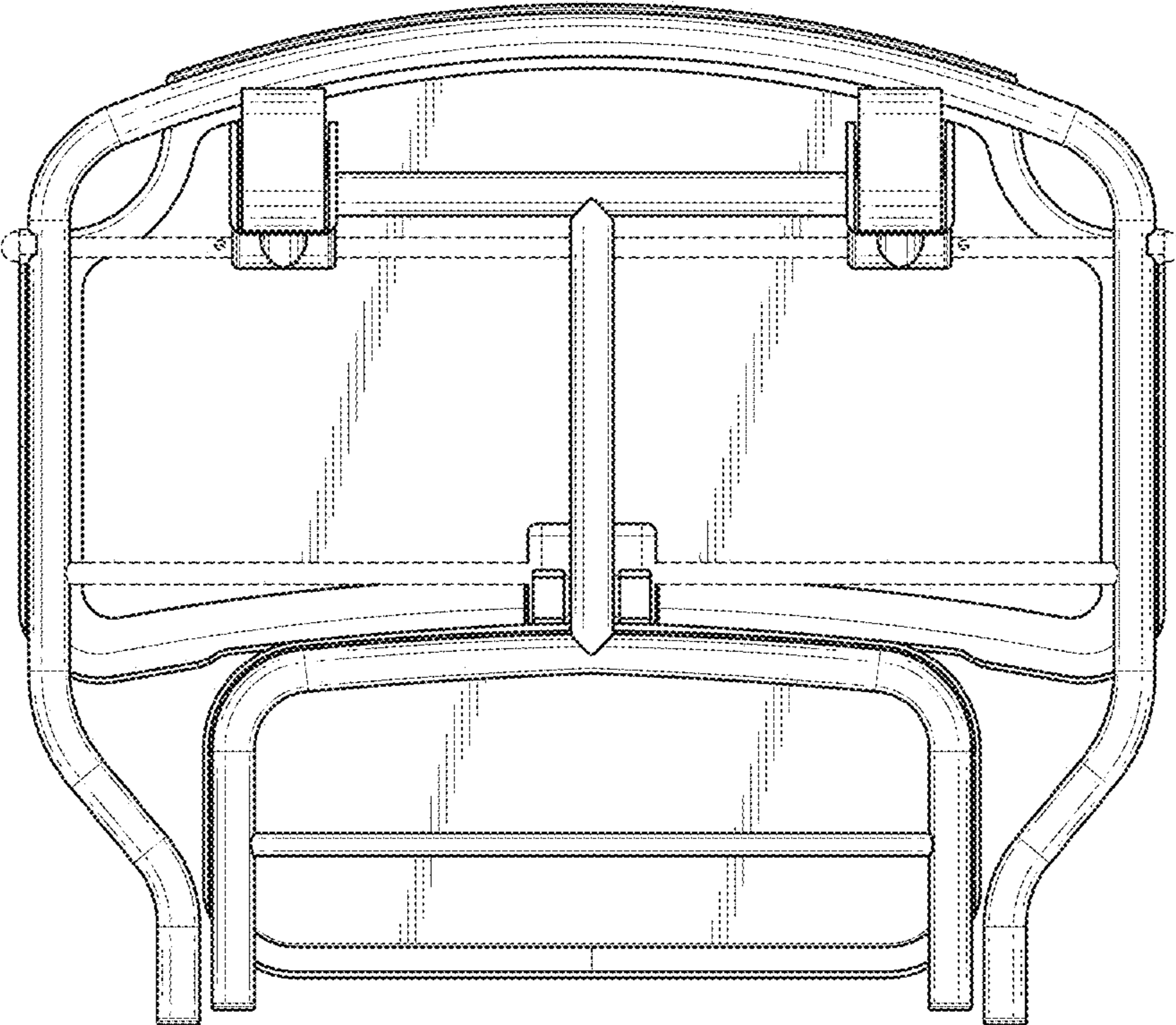


FIG. 7