



US00D868163S

(12) **United States Design Patent**
Mistry et al.

(10) **Patent No.:** **US D868,163 S**

(45) **Date of Patent:** **** Nov. 26, 2019**

(54) **VIDEO GAME CONTROLLER
THUMBSTICK ATTACHMENT**

(71) Applicant: **KontrolFreek, LLC**, Atlanta, GA (US)

(72) Inventors: **Ashish Mistry**, Atlanta, GA (US); **Brett Daniel Lorber**, Atlanta, GA (US)

(73) Assignee: **KONTROLFREEK, LLC**, Atlanta, GA (US)

(**) Term: **15 Years**

(21) Appl. No.: **29/661,061**

(22) Filed: **Aug. 24, 2018**

(51) **LOC (12) Cl.** **21-02**

(52) **U.S. Cl.**
USPC **D21/333**

(58) **Field of Classification Search**
USPC D14/174, 218, 387-389, 400-418,
D14/426-431, 443, 449-450, 454, 471,
D14/511; D21/333, 363, 368
CPC A63F 13/42; A63F 13/98
See application file for complete search history.

(56) **References Cited**

U.S. PATENT DOCUMENTS

5,476,261	A *	12/1995	Hultstrand	A63F 13/08 273/148 B
D398,214	S *	9/1998	Yui	D8/312
5,883,690	A *	3/1999	Meyers	A63F 13/02 345/161
7,993,203	B1 *	8/2011	Walker, II	A63F 13/98 273/148 R
D678,284	S *	3/2013	Coulter	D14/412
D679,276	S *	4/2013	Coulter	D14/412
D762,780	S *	8/2016	Mistry	D14/401
D762,781	S *	8/2016	Mistry	D14/401
D762,782	S *	8/2016	Walker, II	D14/401
D784,986	S *	4/2017	Kujawski	D14/401

D787,670	S *	5/2017	Suzuki	D24/138
D794,024	S *	8/2017	Kujawski	D14/401
D816,169	S *	4/2018	Trujillo	D21/333
D852,357	S *	6/2019	Osada	D24/138
D854,015	S *	7/2019	Wang	D14/412
2006/0003840	A1 *	1/2006	Bailey	A63F 13/02 463/36

OTHER PUBLICATIONS

Insten [2 Pair / 4 Pcs Wireless Controllers Silicone Analog Thumb Grip: Published Dec. 29, 2016[online], site visited Sep. 11, 2019. Available from Internet URL:https://www.amazon.com/dp/B01MF9HZCT/ref=cm_sw_r_tw_dp_U_x_qTvEDb5JCE77W (Year: 2016).*

(Continued)

Primary Examiner — Jack Reickel

Assistant Examiner — Melvin L Davis

(74) *Attorney, Agent, or Firm* — Seyfarth Shaw LLP

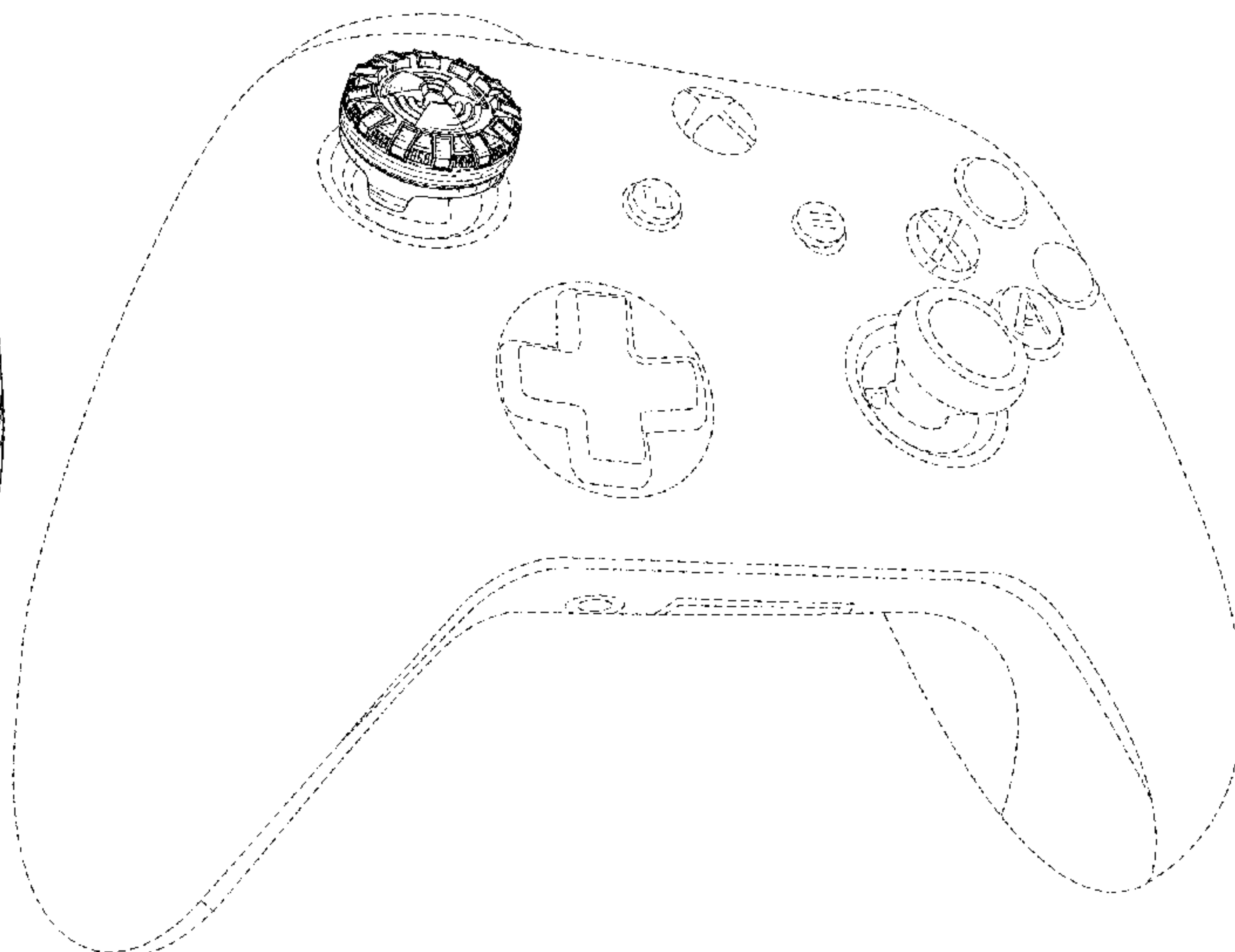
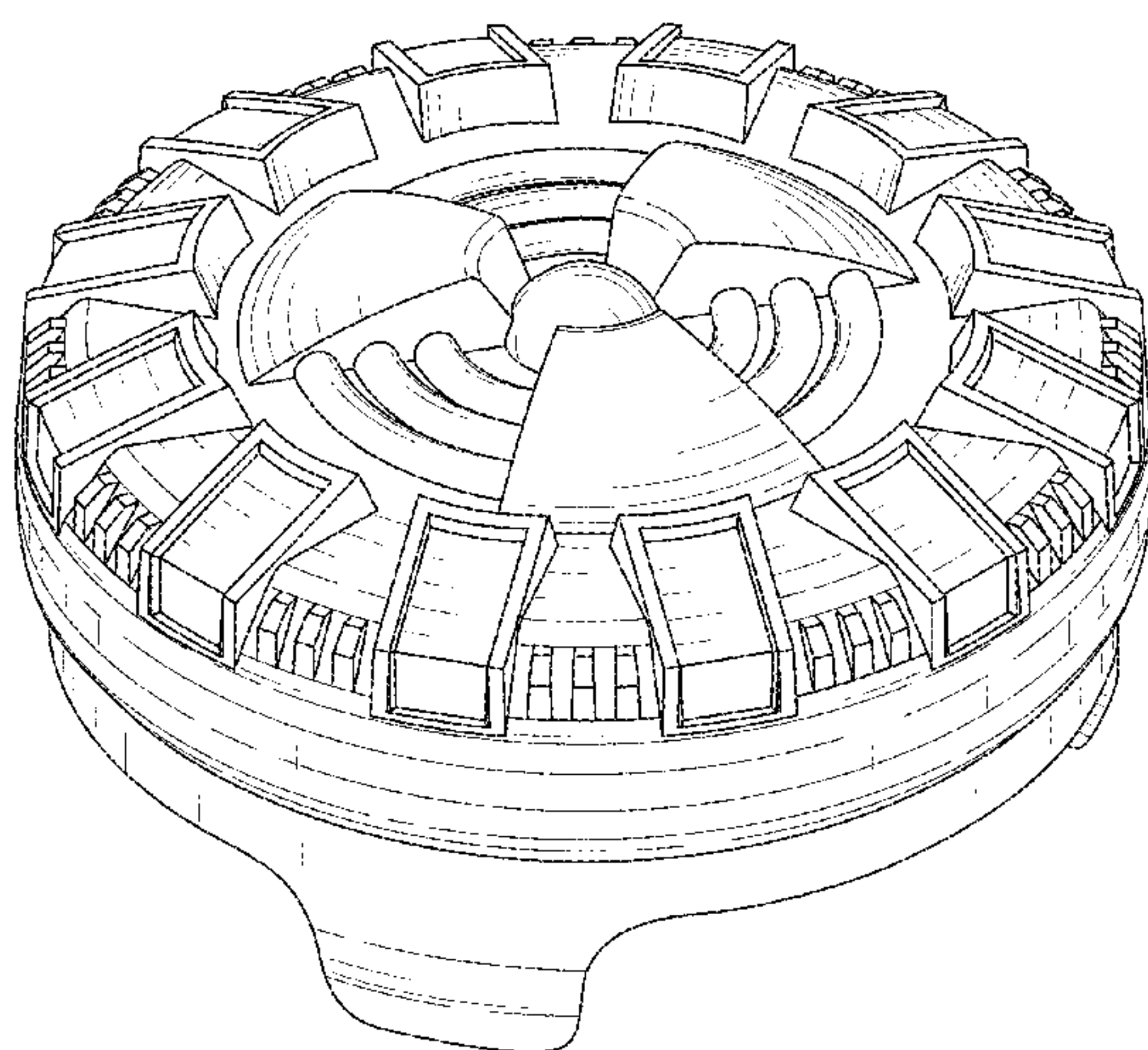
(57) **CLAIM**

We claim the ornamental design for a video game controller thumbstick attachment, as shown and described.

DESCRIPTION

FIG. 1 is a top perspective view of a video game controller thumbstick attachment showing the new design; FIG. 2 is a top plan view thereof; FIG. 3 is a bottom plan view thereof; FIG. 4 is a first side elevation view thereof; FIG. 5 is a second side elevation view thereof; and, FIG. 6 is a top perspective view thereof showing the video game controller thumbstick attachment positioned on a thumbstick of a video game controller. The broken lines in the drawings depict environmental structure of the video game controller thumbstick attachment that form no part of the claimed design.

1 Claim, 5 Drawing Sheets



(56)

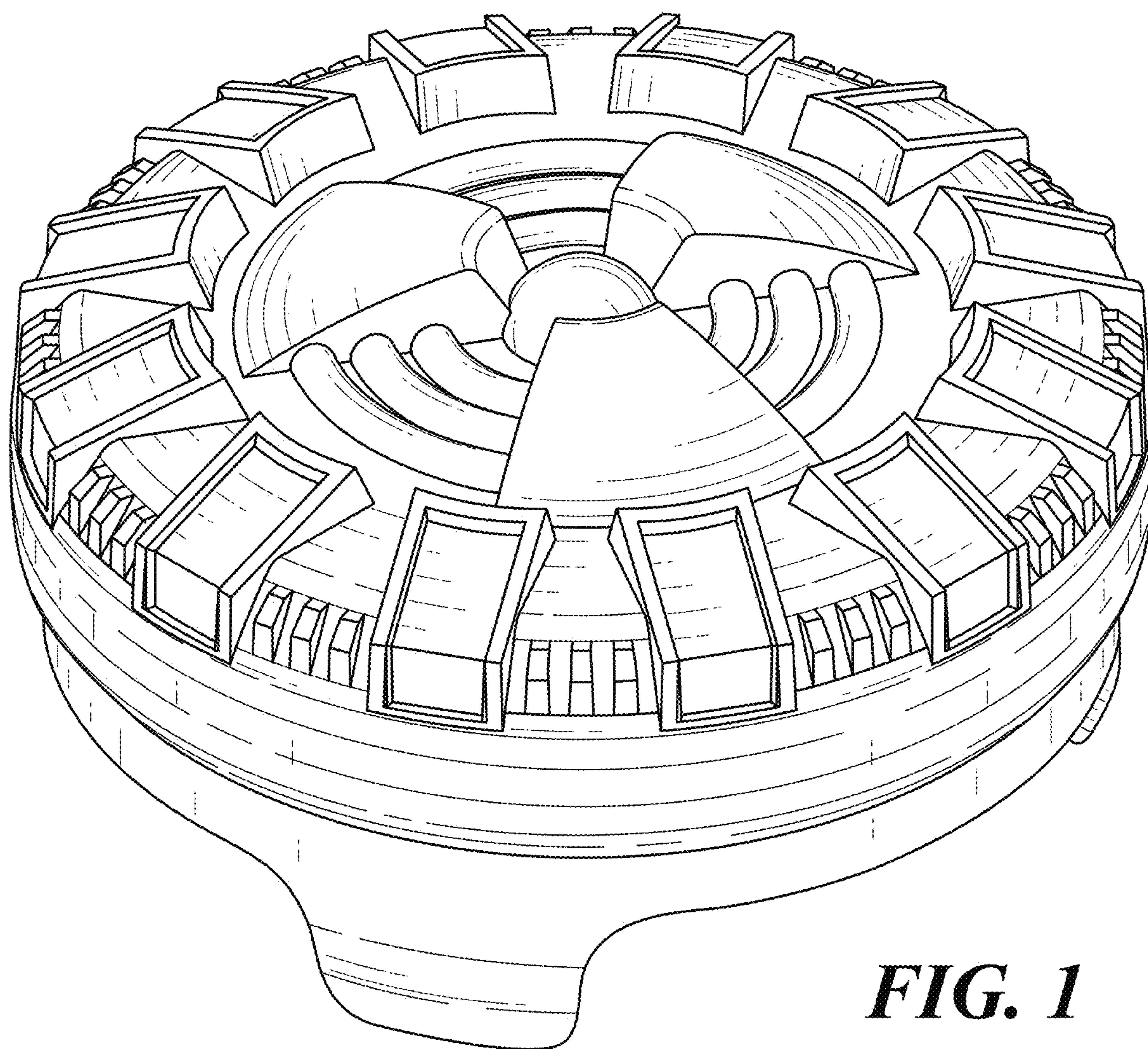
References Cited

OTHER PUBLICATIONS

Grip-iT Analog Stick Covers: Published Jun. 22, 2010 [online], site visited Sep. 11, 2019. Available from Internet URL: https://www.amazon.com/dp/B003NSLGW2/ref=cm_sw_r_tw_dp_U_x_xNvEDbJZBE76T (Year: 2010).*

KontrolFreek Atomic Thumbstick Unboxing: Published Sep. 22, 2017[online], site visited Sep. 11, 2019. Available from Internet URL:<https://youtu.be/e18BfmWt81Q> (Year: 2017).*

* cited by examiner



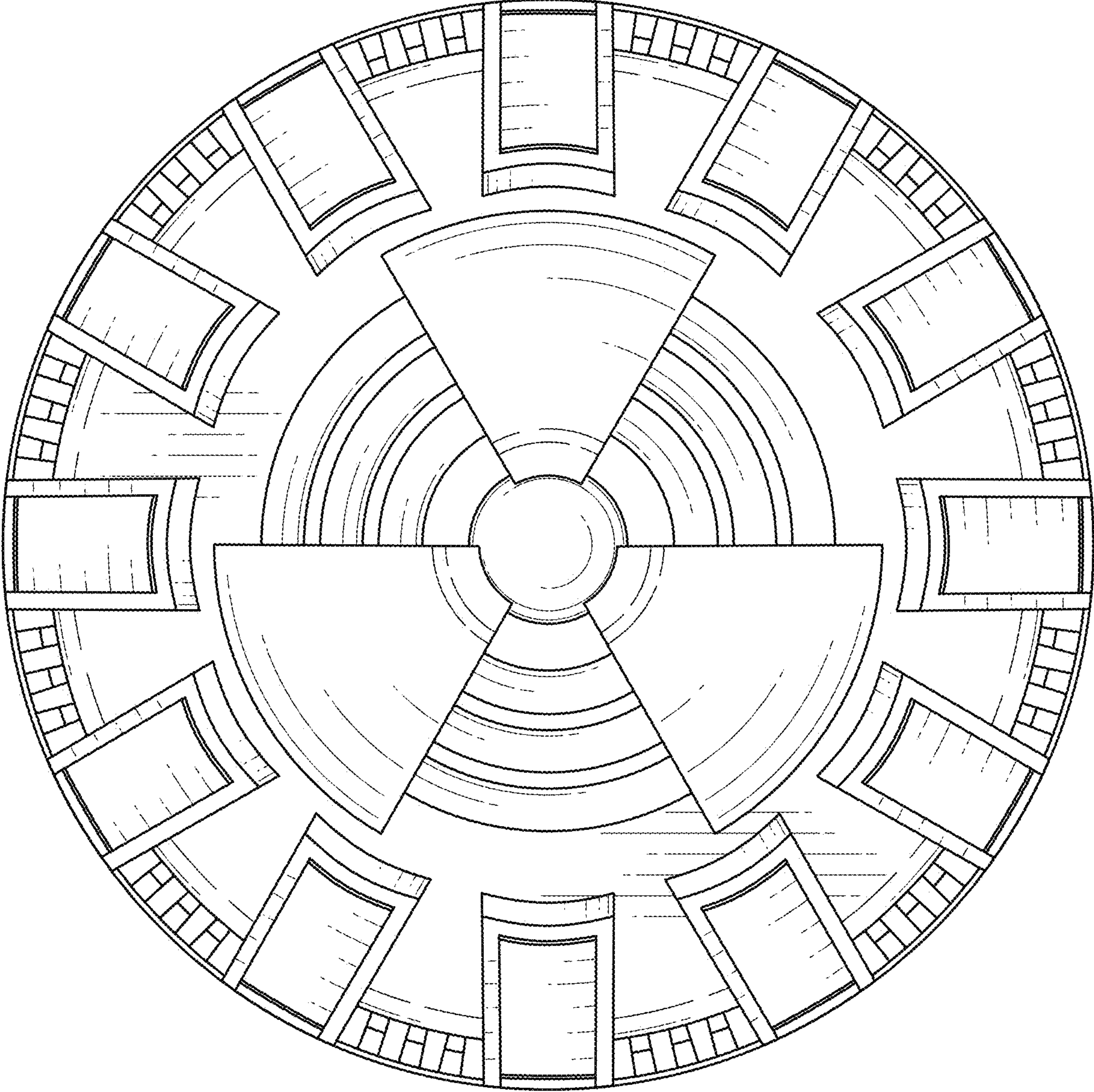


FIG. 2

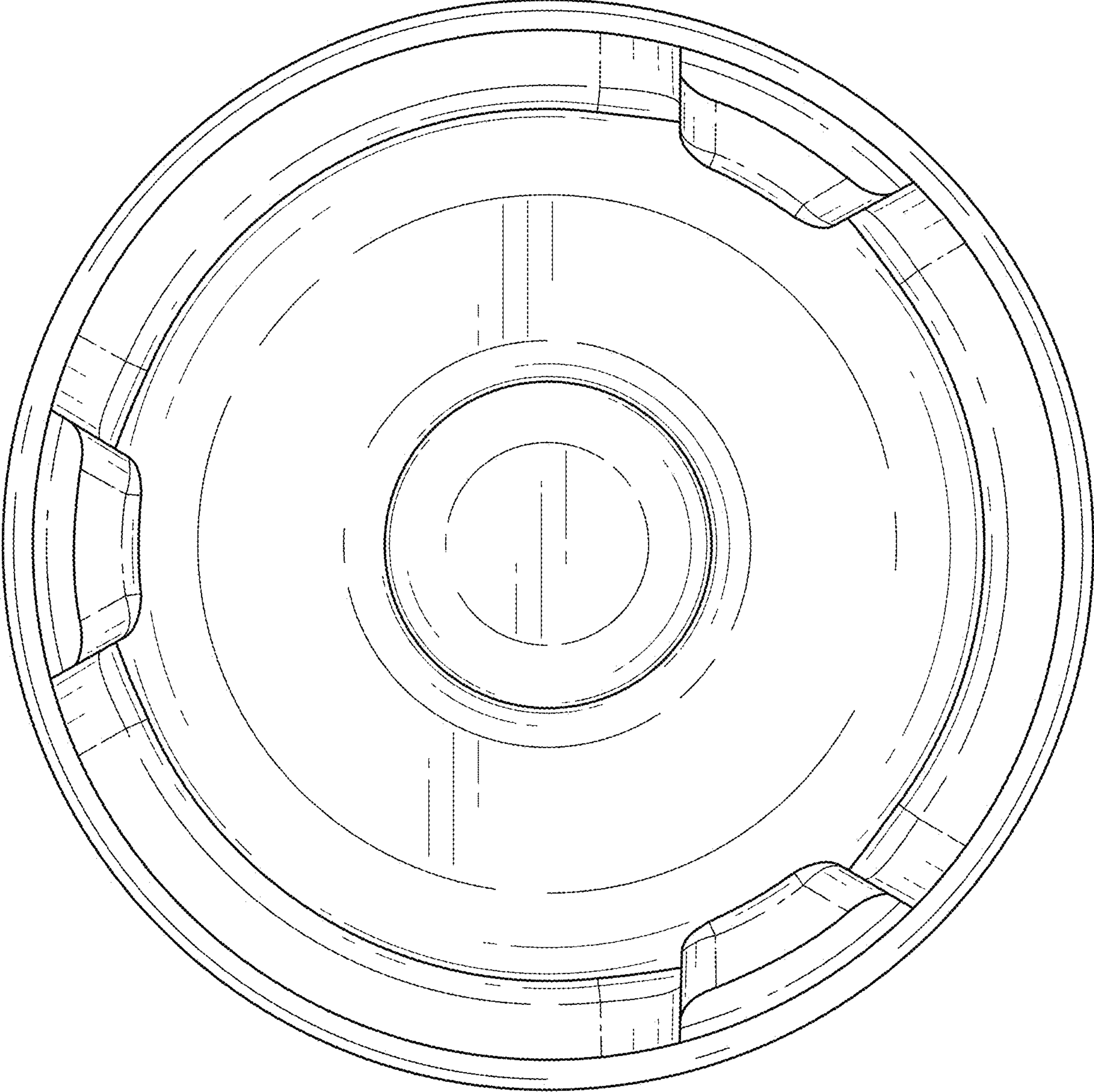


FIG. 3

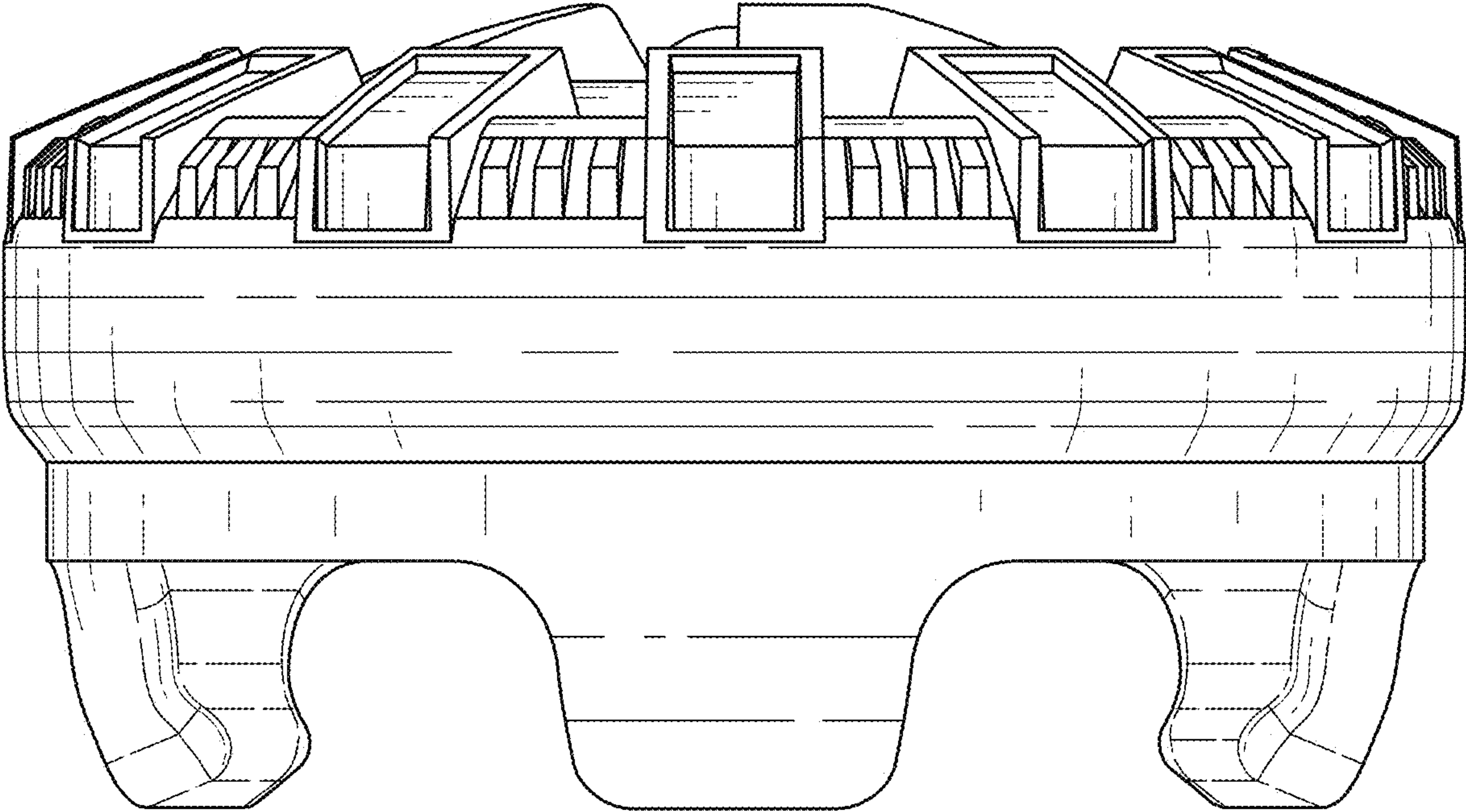


FIG. 4

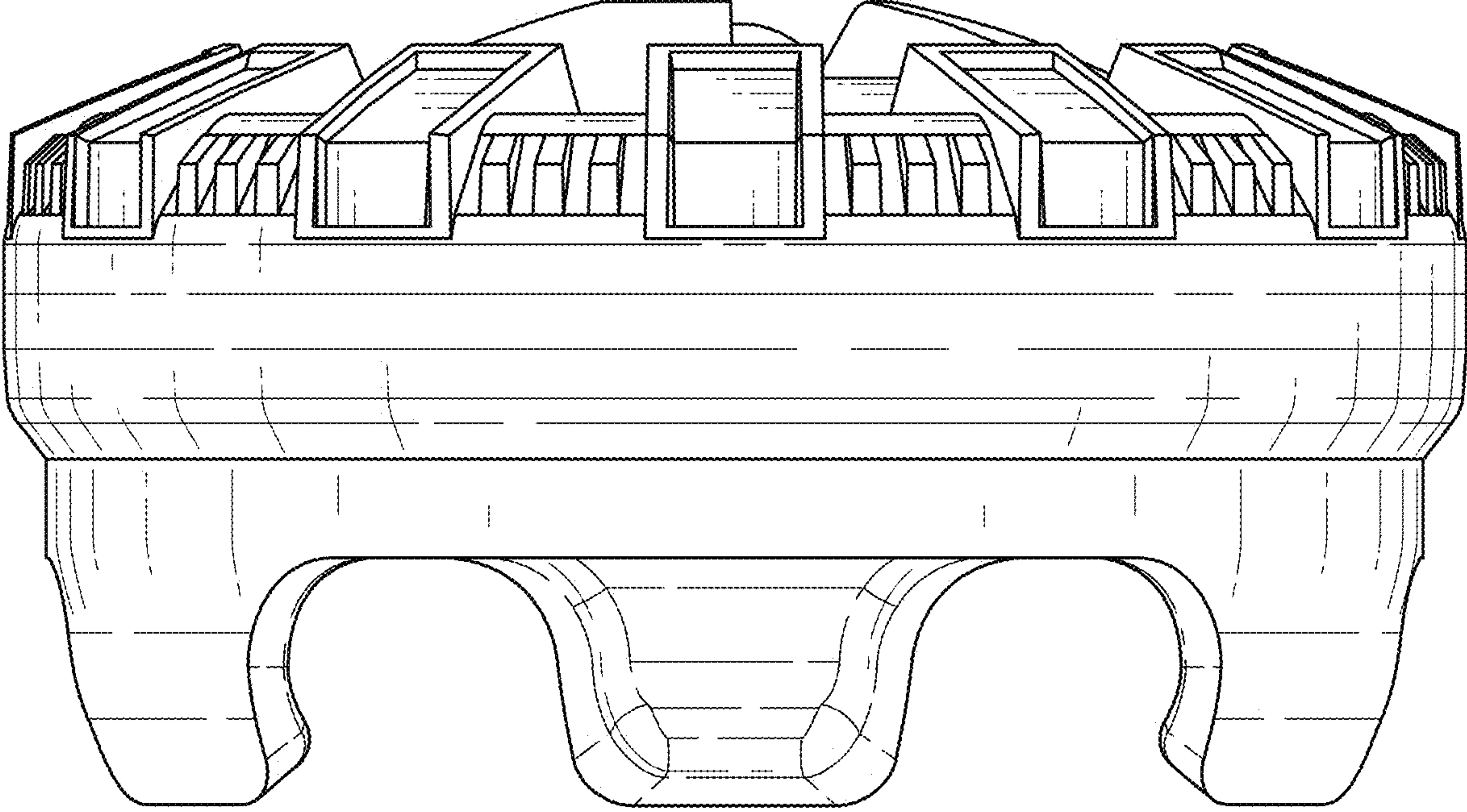


FIG. 5

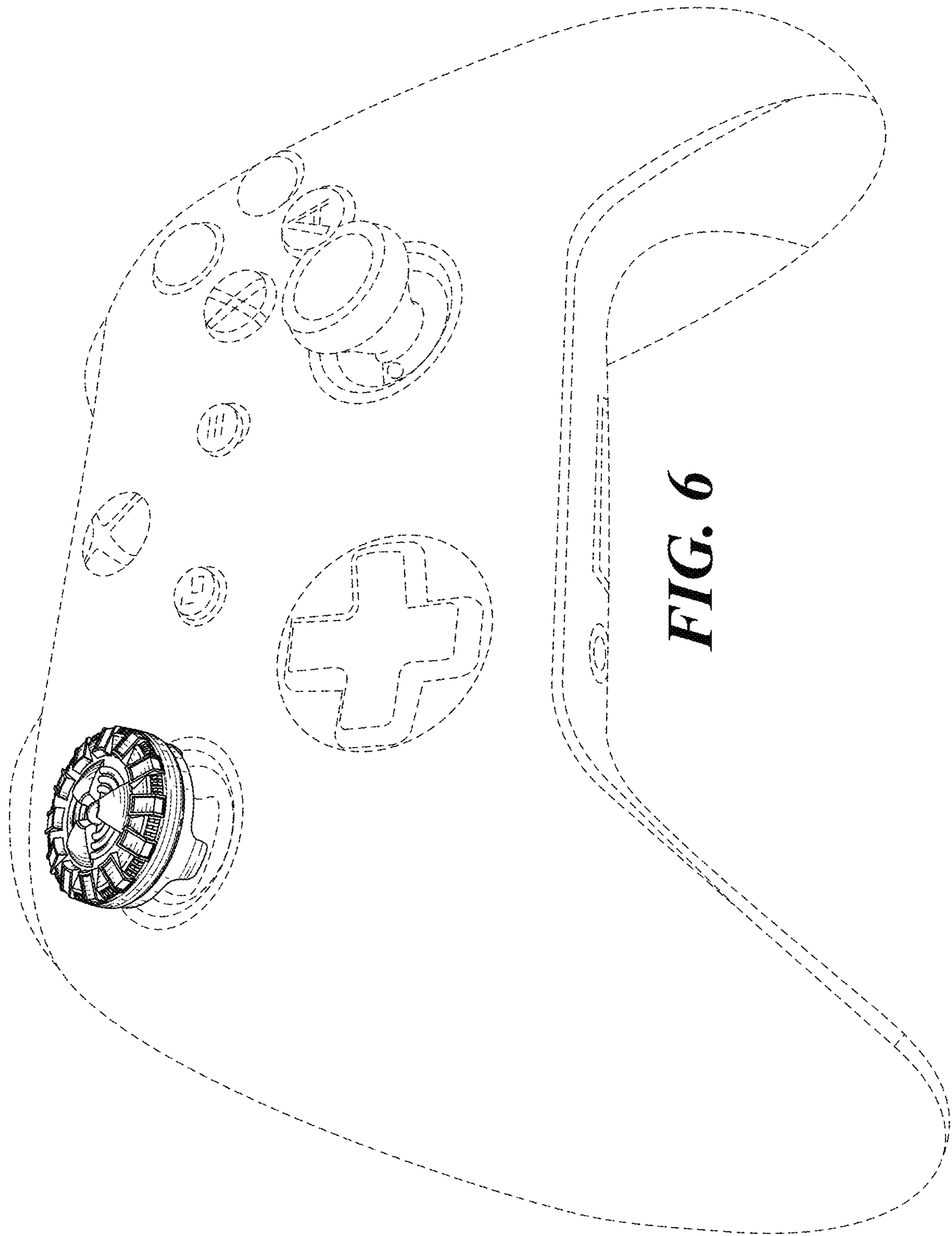


FIG. 6