



US00D868162S

(12) **United States Design Patent**
Tanoury et al.

(10) **Patent No.:** **US D868,162 S**

(45) **Date of Patent:** **** Nov. 26, 2019**

- (54) **GOLF TRAINING GAME**
- (71) Applicant: **P&P Imports LLC**, Santa Ana, CA (US)
- (72) Inventors: **Peter Tanoury**, Newport Beach, CA (US); **Peter Engler**, Newport Beach, CA (US)
- (73) Assignee: **P&P Imports LLC**, Santa Ana, CA (US)
- (**) Term: **15 Years**
- (21) Appl. No.: **29/667,741**
- (22) Filed: **Oct. 24, 2018**
- (51) **LOC (12) Cl.** **21-01**
- (52) **U.S. Cl.**
USPC **D21/305**; D21/789; D21/790
- (58) **Field of Classification Search**
USPC D21/300–307, 319, 335, 342, 386, 669, D21/705, 789, 790, 791; 273/404, 407, 273/410, 108; 473/164, 172, 197, 436
CPC A63B 63/00; A63B 71/022
See application file for complete search history.

(56) **References Cited**

U.S. PATENT DOCUMENTS

- 920,907 A * 5/1909 Bolton A63B 71/022 473/197
- D153,239 S * 3/1949 Schwartz D21/305
- 2,944,816 A * 7/1960 Dixon A63B 69/0097 473/435
- 3,986,719 A * 10/1976 Lee A63B 63/00 473/197
- 4,068,846 A * 1/1978 Forrest A63B 63/00 473/195
- 4,553,751 A * 11/1985 Ketchum A63B 69/0097 273/395

- 4,703,931 A * 11/1987 Steen A63B 69/0097 273/410
- 4,723,780 A * 2/1988 Vinzetta A63B 63/00 273/407
- 4,883,272 A * 11/1989 Lay A63B 63/00 473/436
- 4,905,996 A * 3/1990 Tallent A63B 63/00 273/401
- 5,042,813 A * 8/1991 Huang A63B 67/02 473/153
- D352,326 S * 11/1994 Hsiao D21/790
- 5,407,211 A * 4/1995 Bottiglieri A63B 63/00 273/400
- 6,880,828 B2 * 4/2005 Liao A63B 69/0097 273/395
- 7,021,630 B1 * 4/2006 Cho A63B 63/00 273/401
- 7,600,759 B2 * 10/2009 Crawley A63B 69/0097 273/396
- D627,002 S * 11/2010 Cho D21/305

(Continued)

Primary Examiner — Kevin K Rudzinski
Assistant Examiner — Mehri F Bajoul
(74) *Attorney, Agent, or Firm* — Casey Kempner

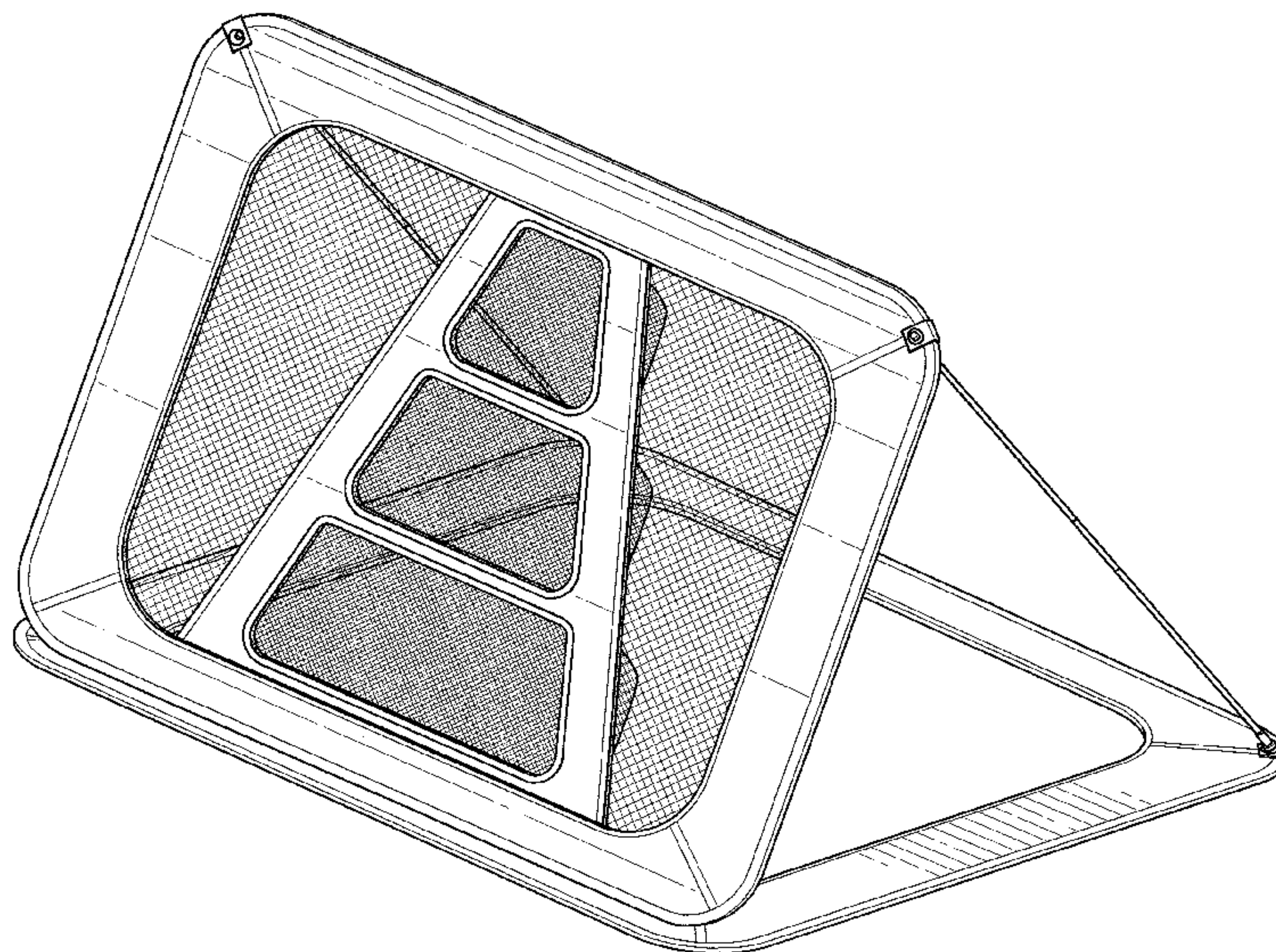
(57) **CLAIM**

The ornamental design for a golf training game, as shown and described.

DESCRIPTION

FIG. 1 is a front top-right perspective view of a golf training game;
FIG. 2 is a back bottom-right perspective view of the golf training game;
FIG. 3 is a front view of the golf training game;
FIG. 4 is a back view of the golf training game;
FIG. 5 is a right side view of the golf training game;
FIG. 6 is a left side view of the golf training game;
FIG. 7 is a bottom view of the golf training game; and,
FIG. 8 is a top view of the golf training game.

1 Claim, 8 Drawing Sheets



(56)

References Cited

U.S. PATENT DOCUMENTS

8,540,592 B1 * 9/2013 Coppenrath A63B 63/00
473/431
D805,591 S * 12/2017 Miller D21/705
10,166,453 B1 * 1/2019 Dickerson A63B 69/0097
2012/0149503 A1 * 6/2012 Cho A63B 63/00
473/454
2013/0072327 A1 * 3/2013 Hunt A63B 63/00
473/434
2017/0189773 A1 * 7/2017 Cho A63B 71/022
2018/0207503 A1 * 7/2018 Rivard A63F 9/02

* cited by examiner

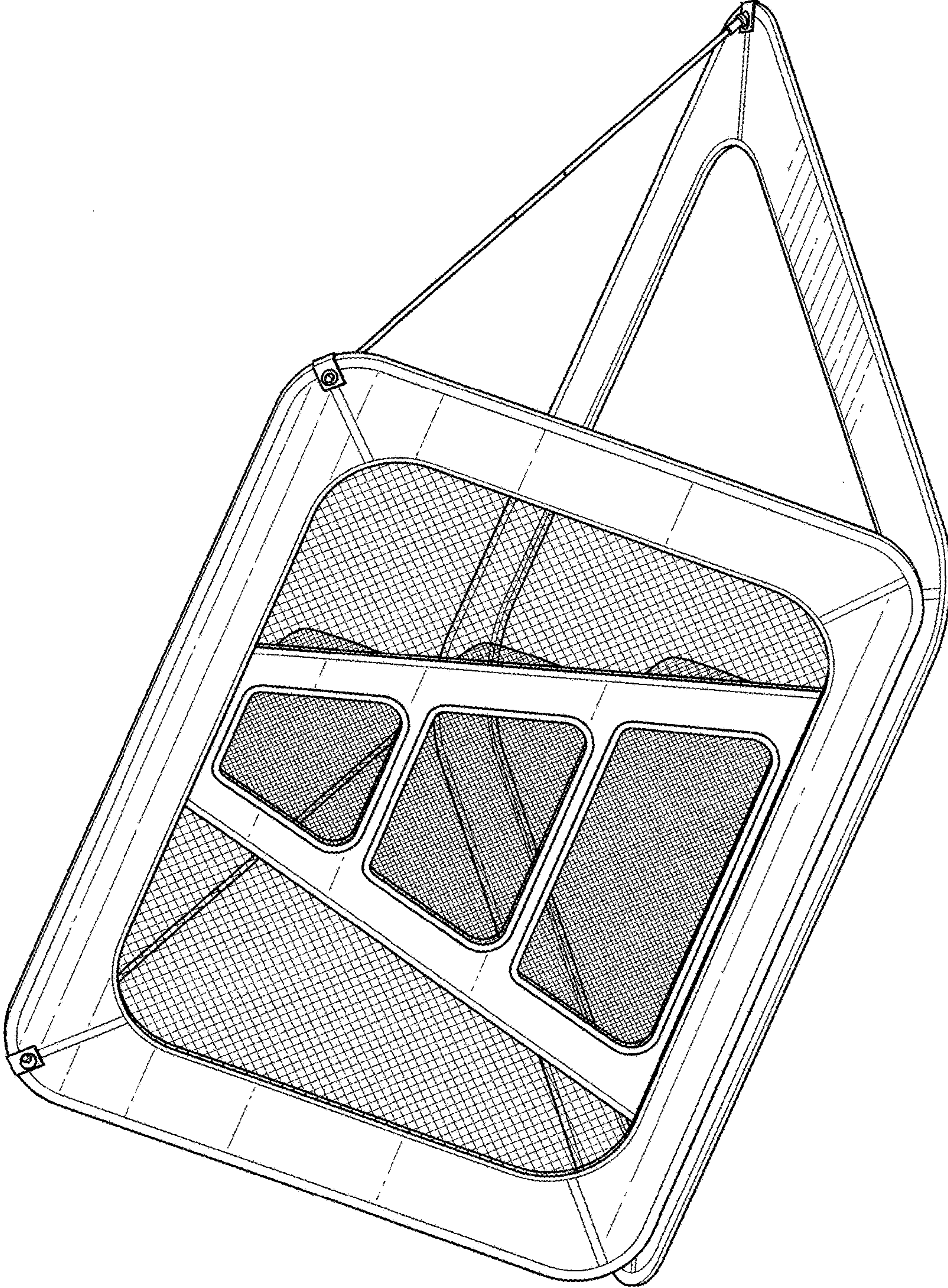


FIG. 1

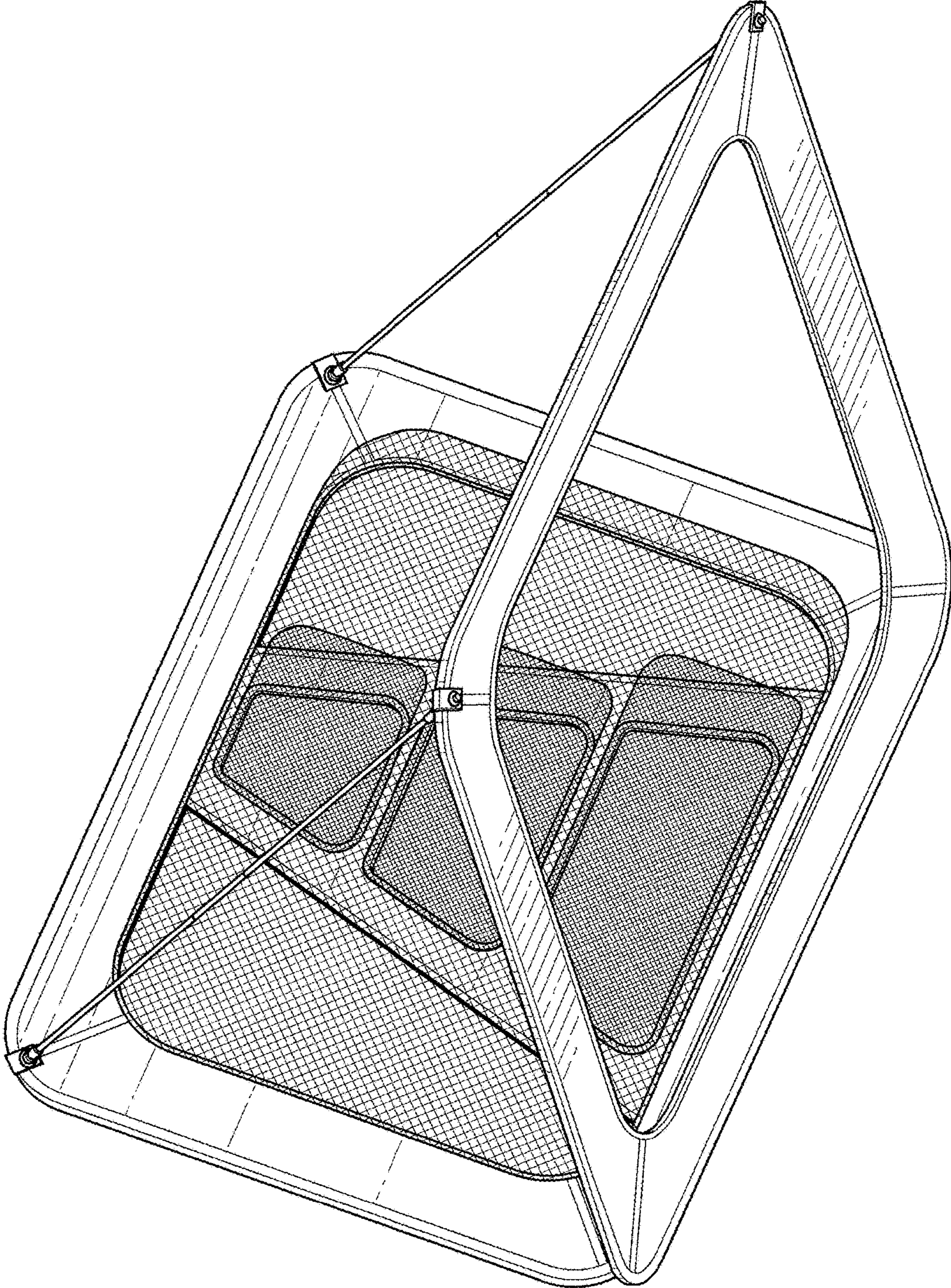


FIG. 2

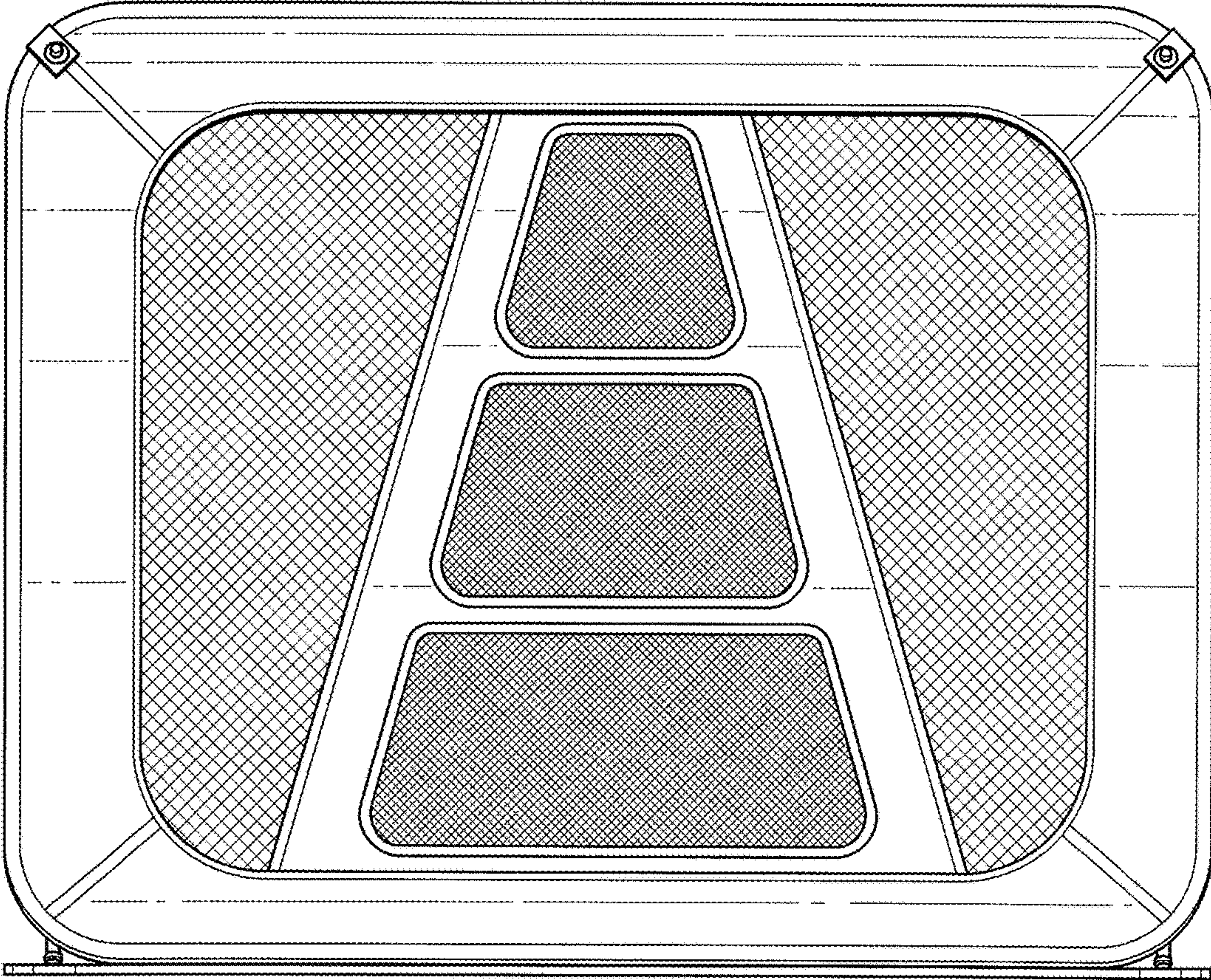


FIG. 3

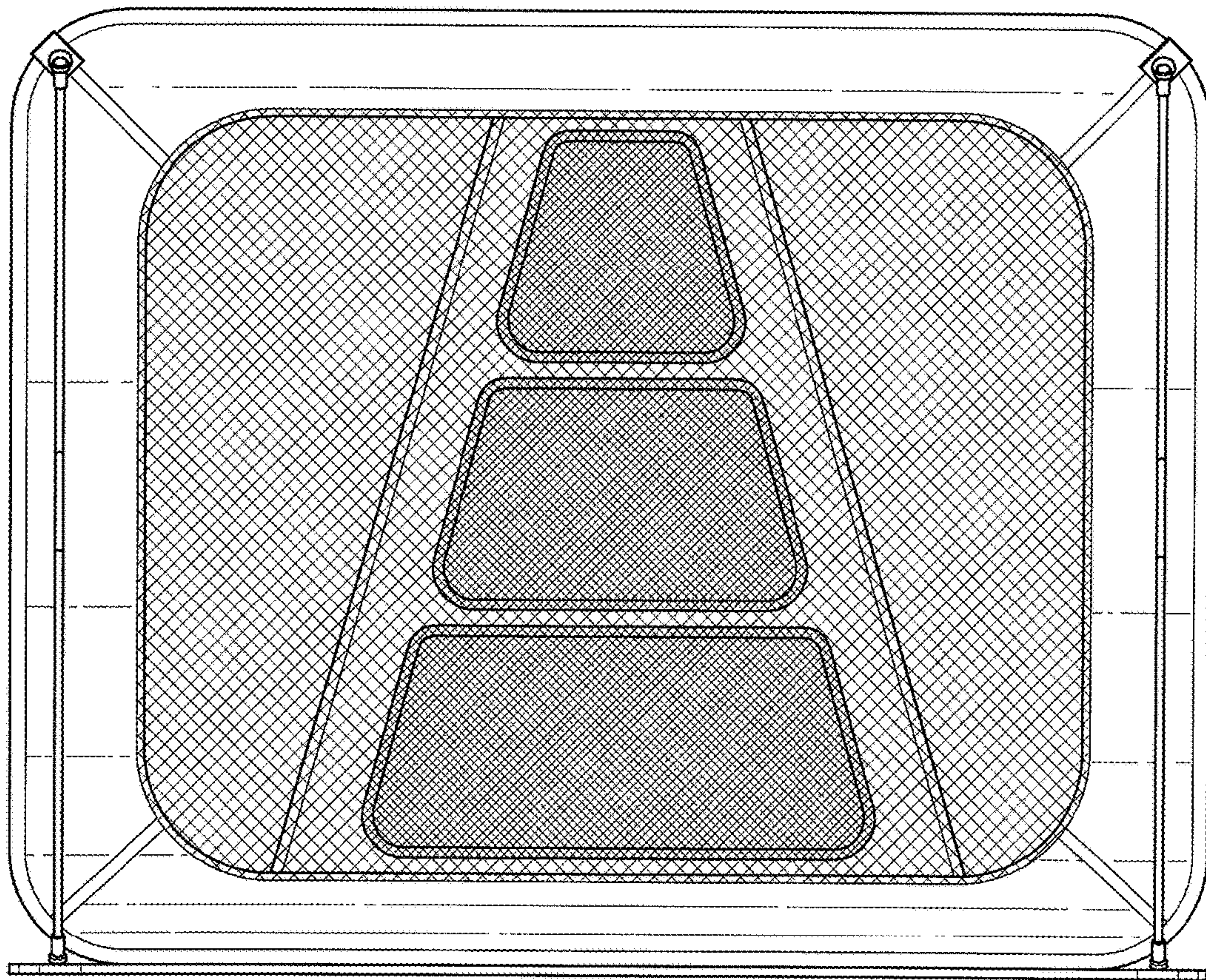


FIG. 4

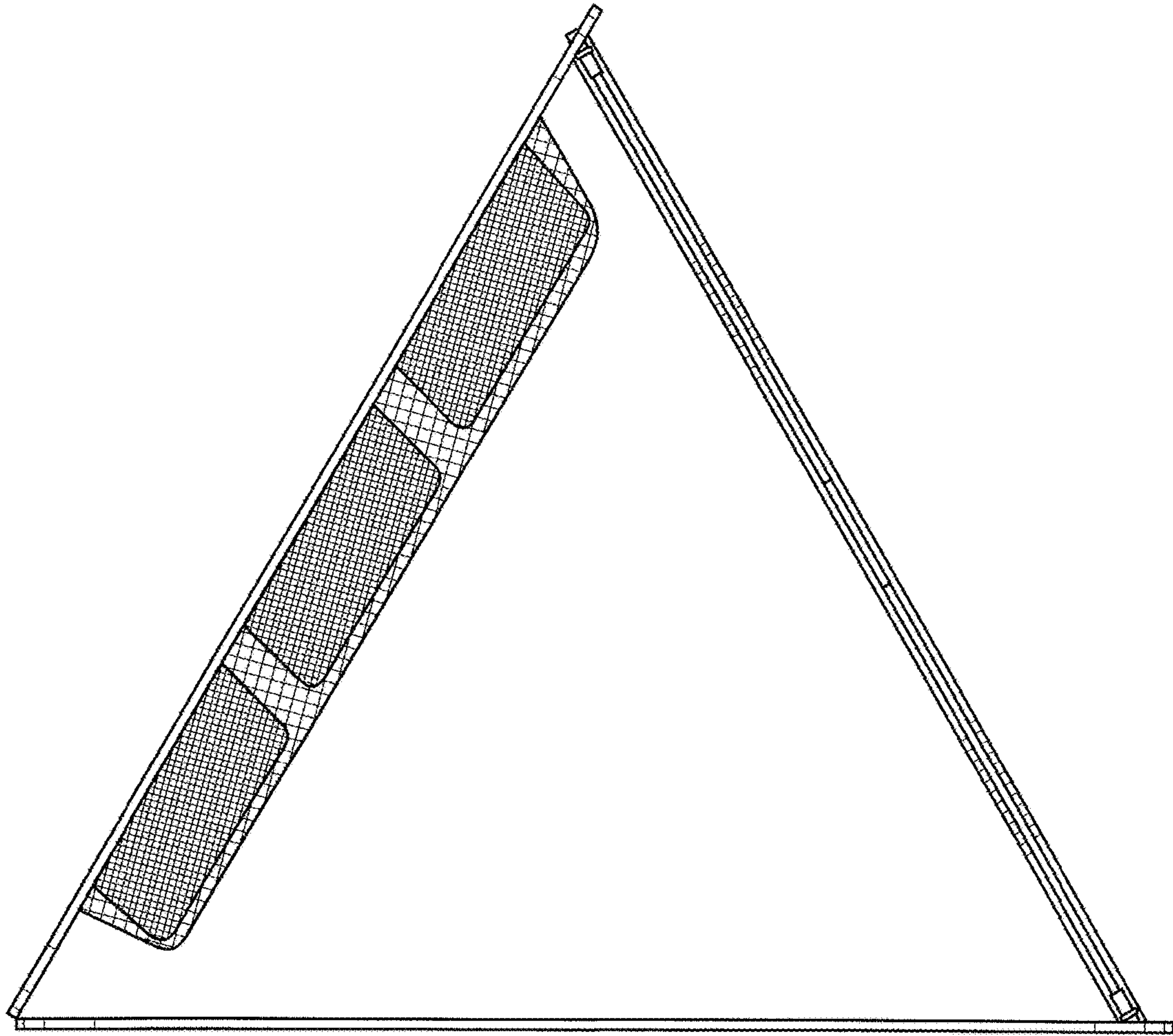


FIG. 5

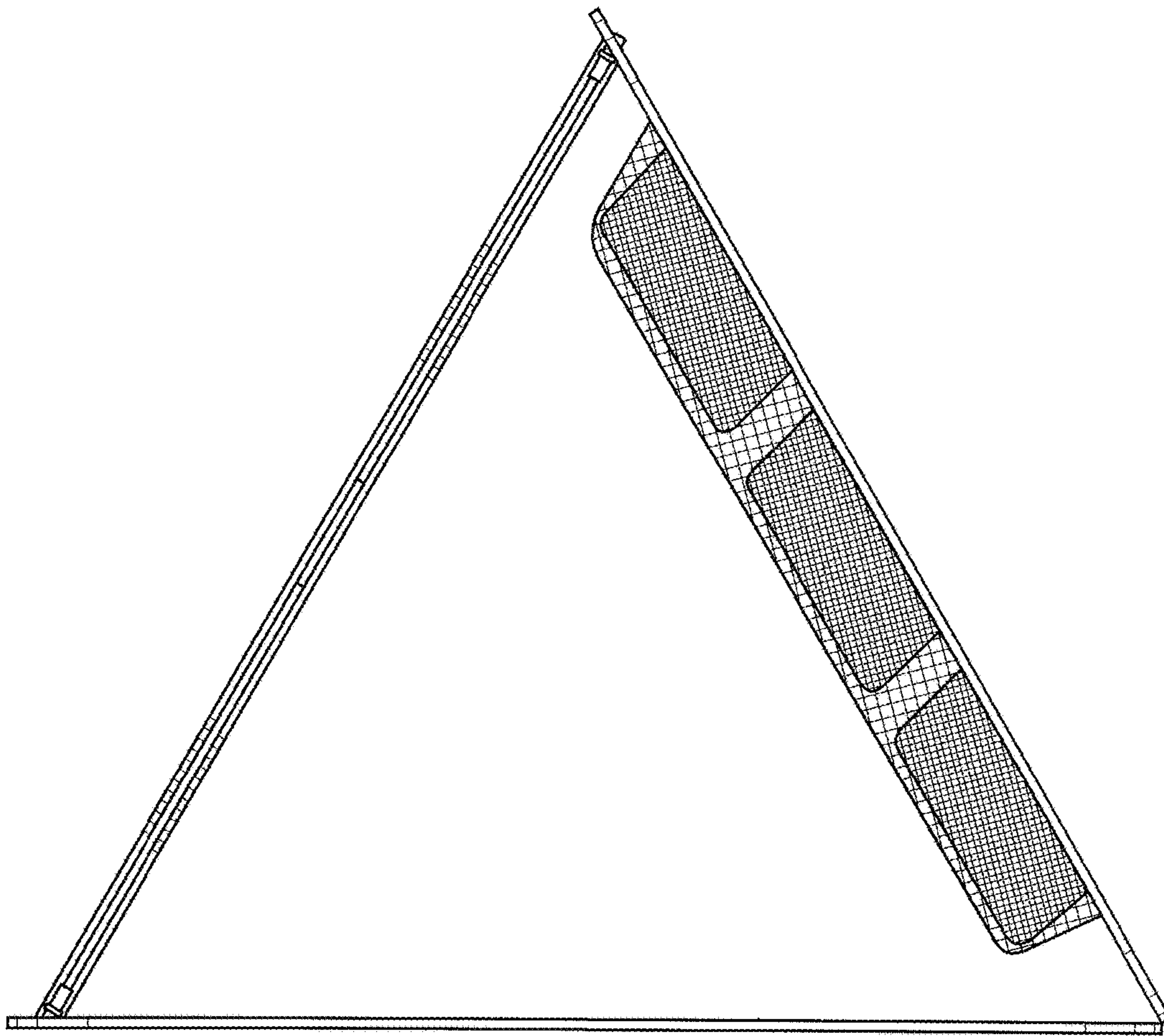


FIG. 6

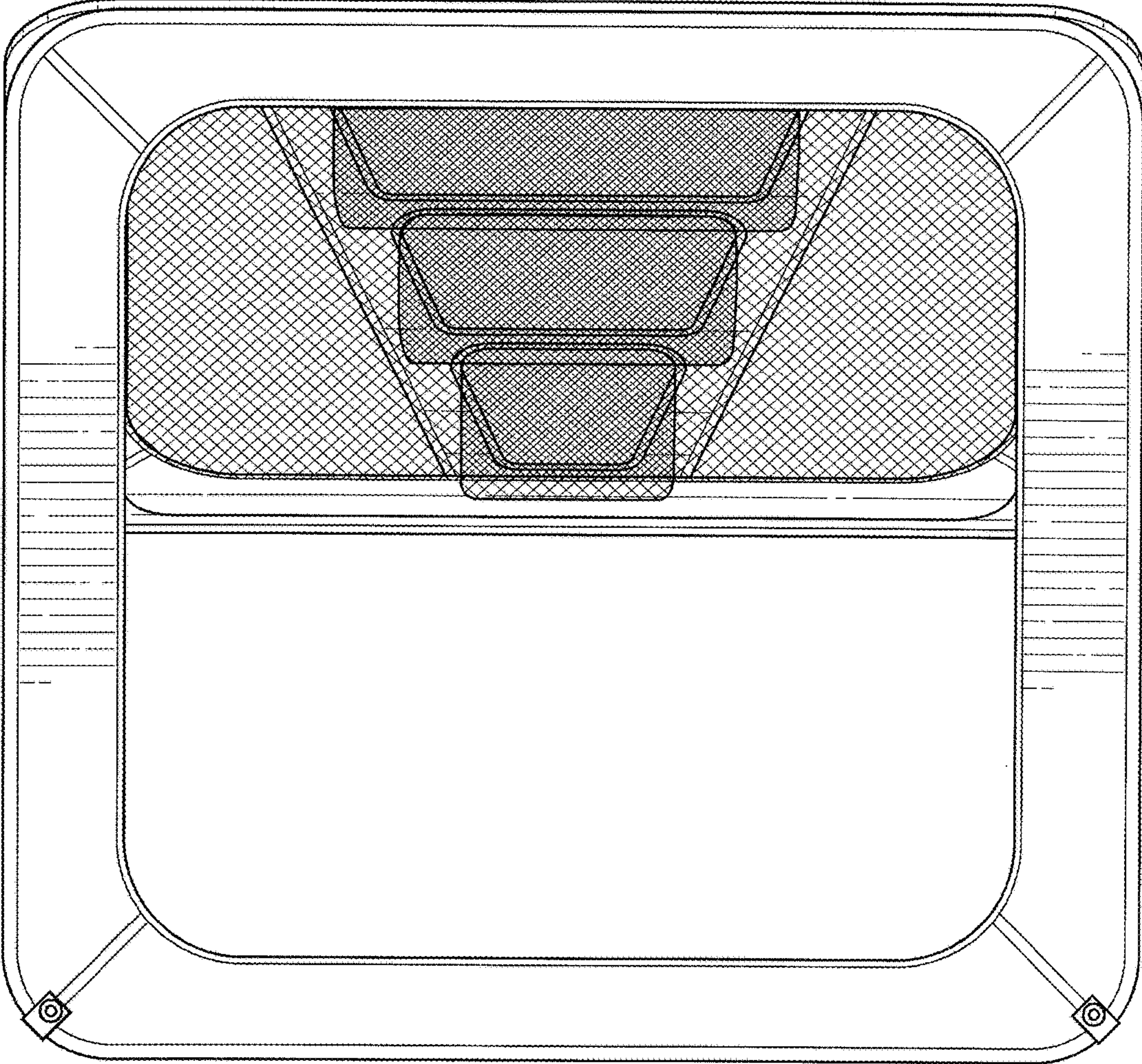


FIG. 7

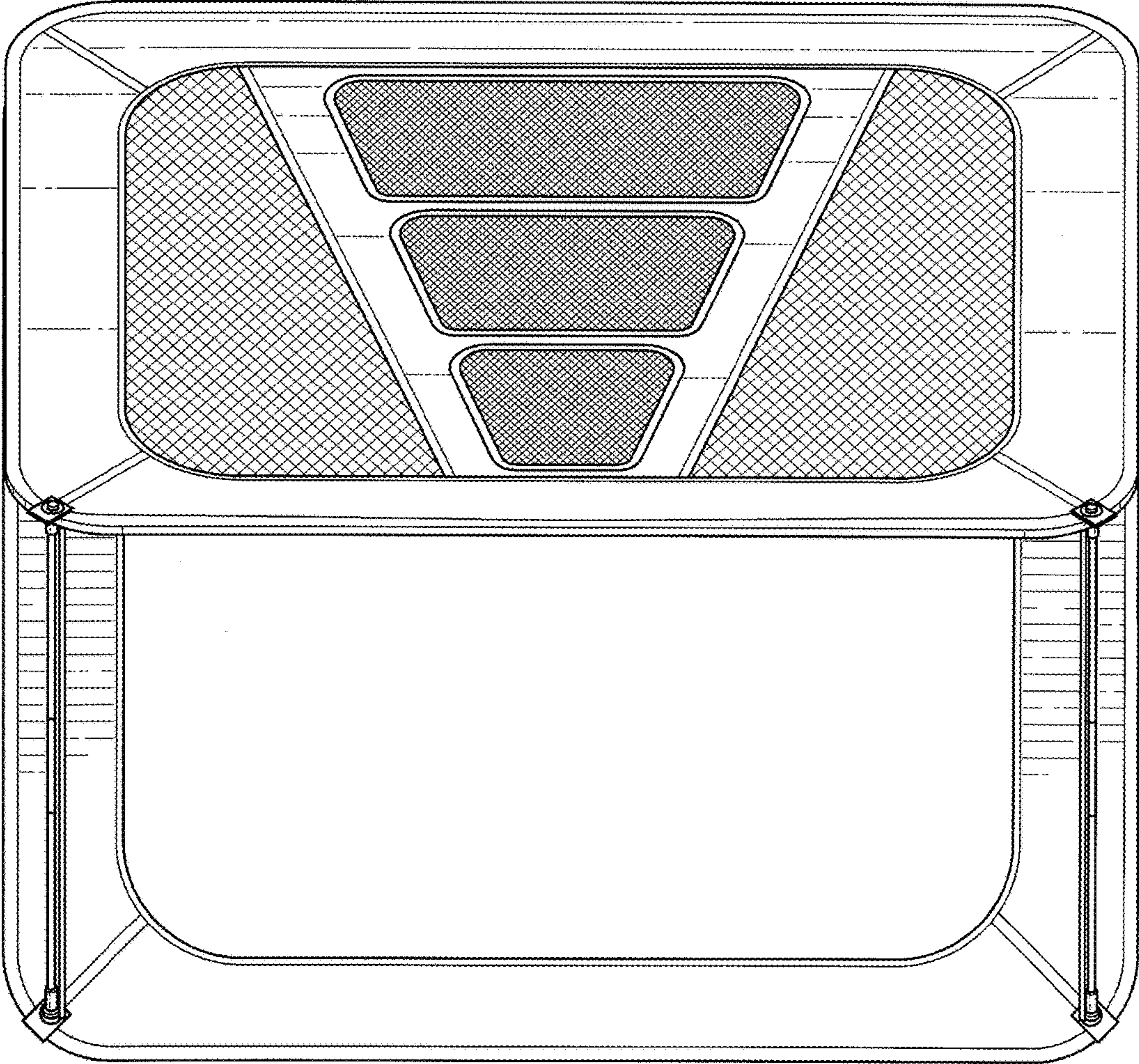


FIG. 8