



US00D868161S

(12) **United States Design Patent** (10) **Patent No.:** **US D868,161 S**
Stokes (45) **Date of Patent:** **** Nov. 26, 2019**

(54) **FLOOR SIGN** 8,763,292 B1 * 7/2014 Morad G09F 15/0062
 116/63 T
 (71) Applicant: **Harvey Stokes**, Alexandria, VA (US) 9,286,814 B1 * 3/2016 Thomaselli G09F 15/00
 D787,969 S * 5/2017 Tsui D10/113.4
 (72) Inventor: **Harvey Stokes**, Alexandria, VA (US) D802,672 S * 11/2017 Brogan D20/39
 D817,397 S * 5/2018 Wu G09F 15/00
 D19/113
 (**) Term: **15 Years** 2007/0138368 A1 * 6/2007 Glass G09F 15/0062
 248/460
 (21) Appl. No.: **29/647,390** 2011/0239506 A1 * 10/2011 Glass, Jr. G09F 15/0062
 40/610
 (22) Filed: **May 11, 2018**
 (51) **LOC (12) Cl.** **20-03**
 (52) **U.S. Cl.**
 USPC **D20/10**
 (58) **Field of Classification Search**
 USPC 20/10, 19, 39, 42, 99
 CPC ... G09F 7/00; G09F 9/00; G09F 13/00; G09F
 13/04; G09F 15/00; G09F 15/0062
 See application file for complete search history.

* cited by examiner

Primary Examiner — Mary Ann Calabrese

(57) **CLAIM**

The ornamental design for a floor sign, as shown and described.

DESCRIPTION

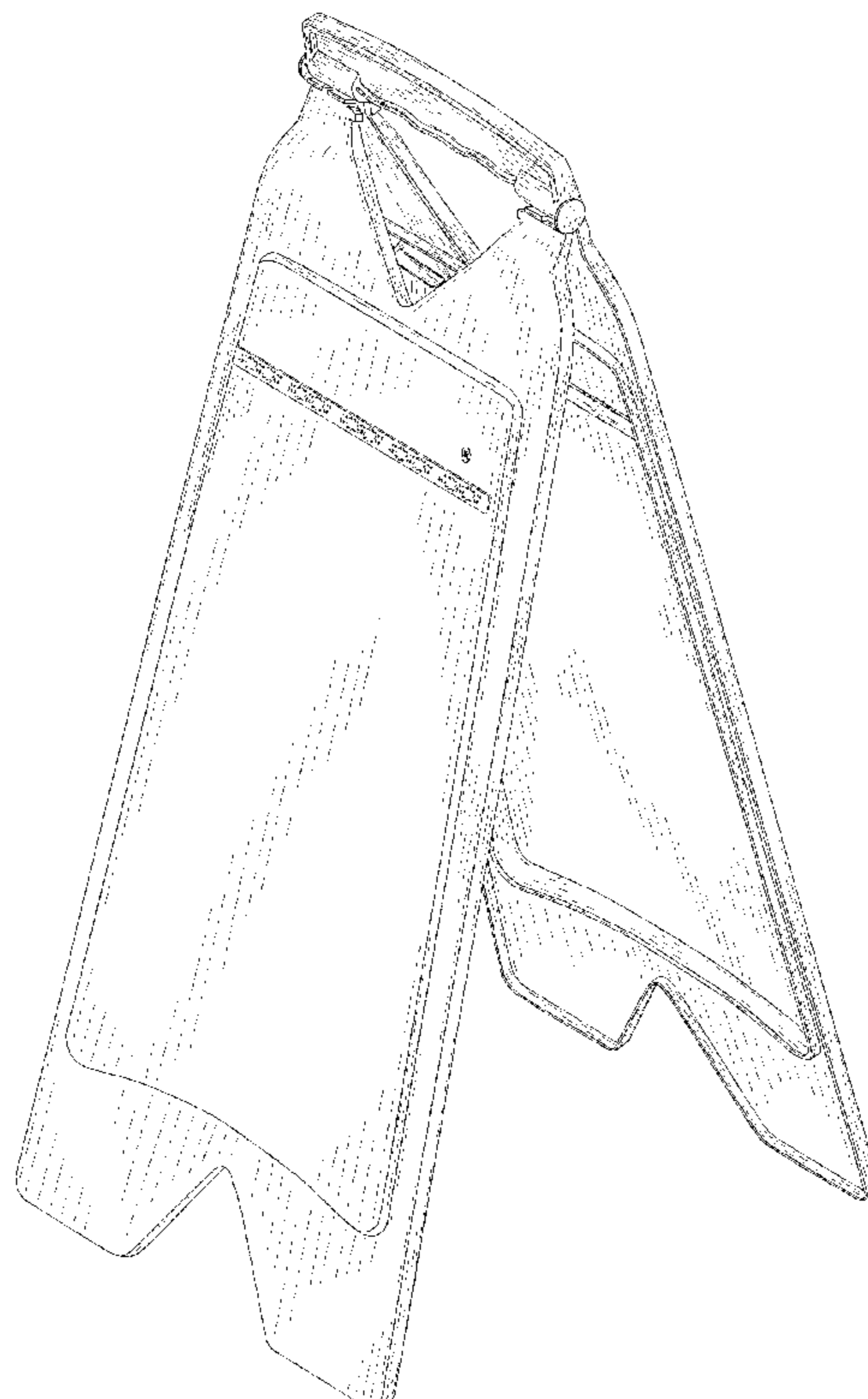
FIG. 1 is a top perspective view of a floor sign;
 FIG. 2 is a bottom perspective view thereof;
 FIG. 3 is a front elevational view thereof;
 FIG. 4 is a rear elevational view thereof;
 FIG. 5 is a right side elevational view thereof;
 FIG. 6 is a left side elevational view thereof;
 FIG. 7 is a top plan view thereof; and,
 FIG. 8 is a bottom plan view thereof.
 The broken line showing of light emitting diodes is included for the purpose of illustrating environmental structure and forms no part of the claimed design.

1 Claim, 8 Drawing Sheets

(56) **References Cited**

U.S. PATENT DOCUMENTS

1,115,021 A * 10/1914 Pummill G09F 15/0062
 40/610
 4,253,260 A * 3/1981 Maza G09F 15/0062
 116/63 P
 D260,780 S * 9/1981 Maza G09F 15/0062
 D20/10
 D405,708 S * 2/1999 Liu G09F 15/0062
 D10/113.4
 6,338,213 B1 * 1/2002 Young G09F 15/0062
 40/606.14
 D598,798 S * 8/2009 Tsui G09F 15/0062
 D10/113.4



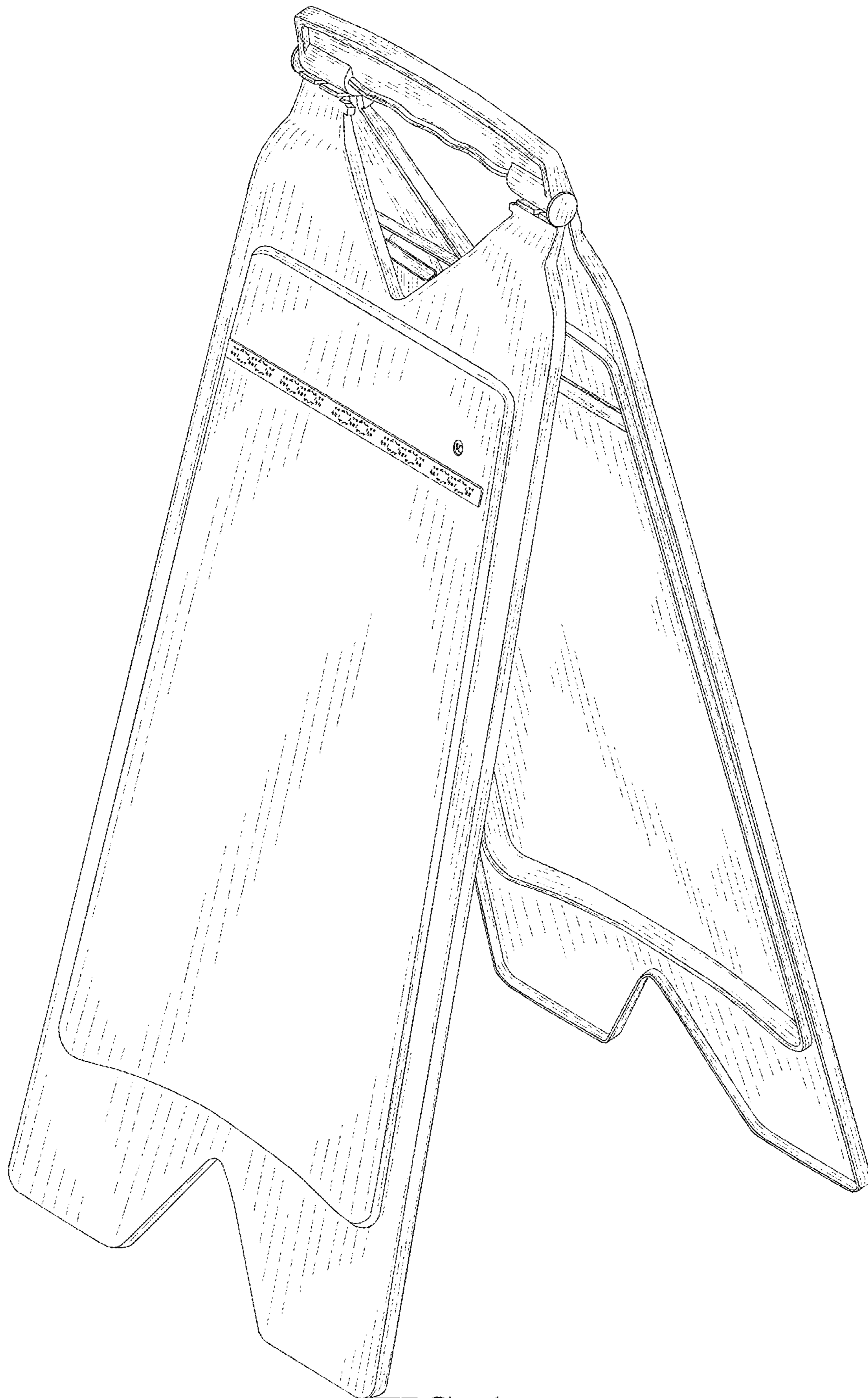


FIG. 1

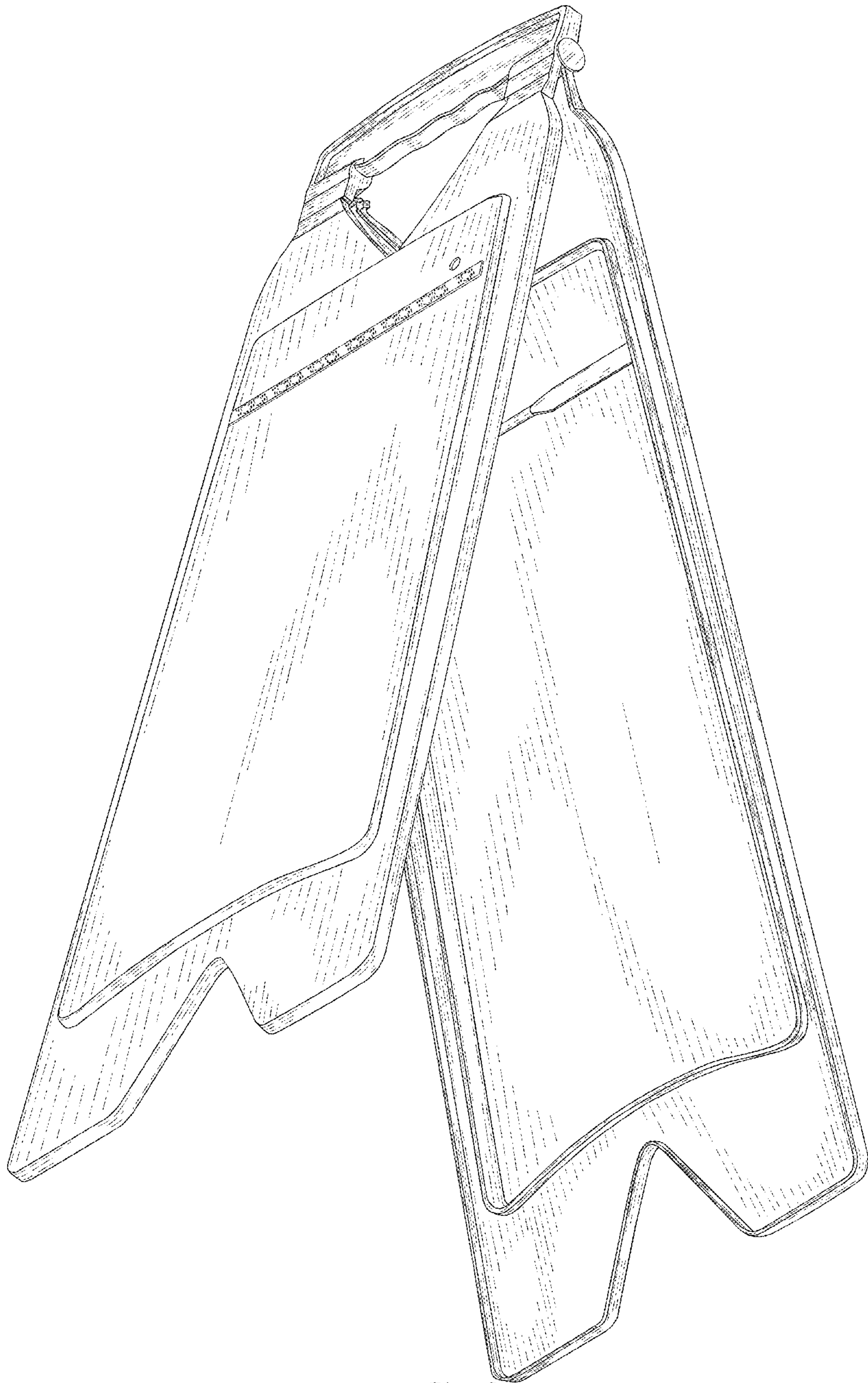


FIG. 2

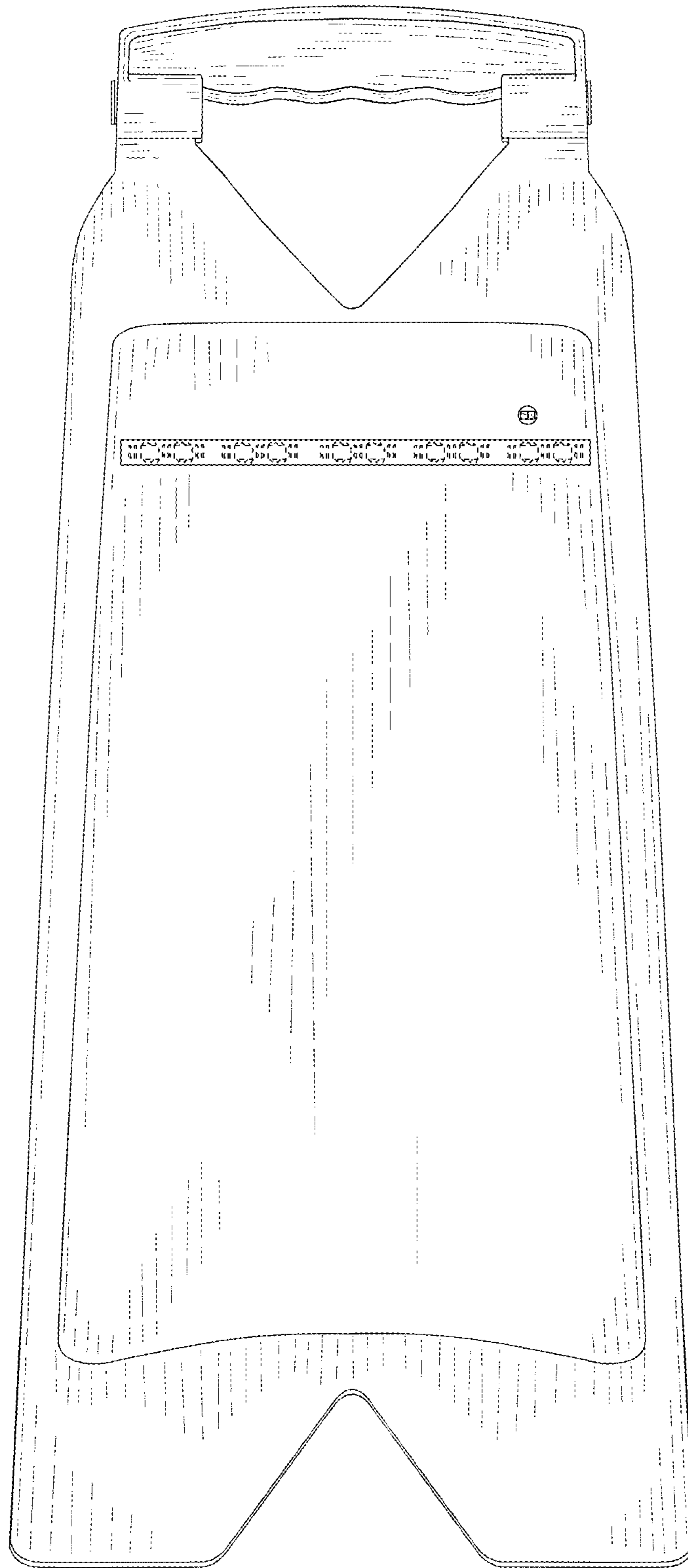


FIG. 3

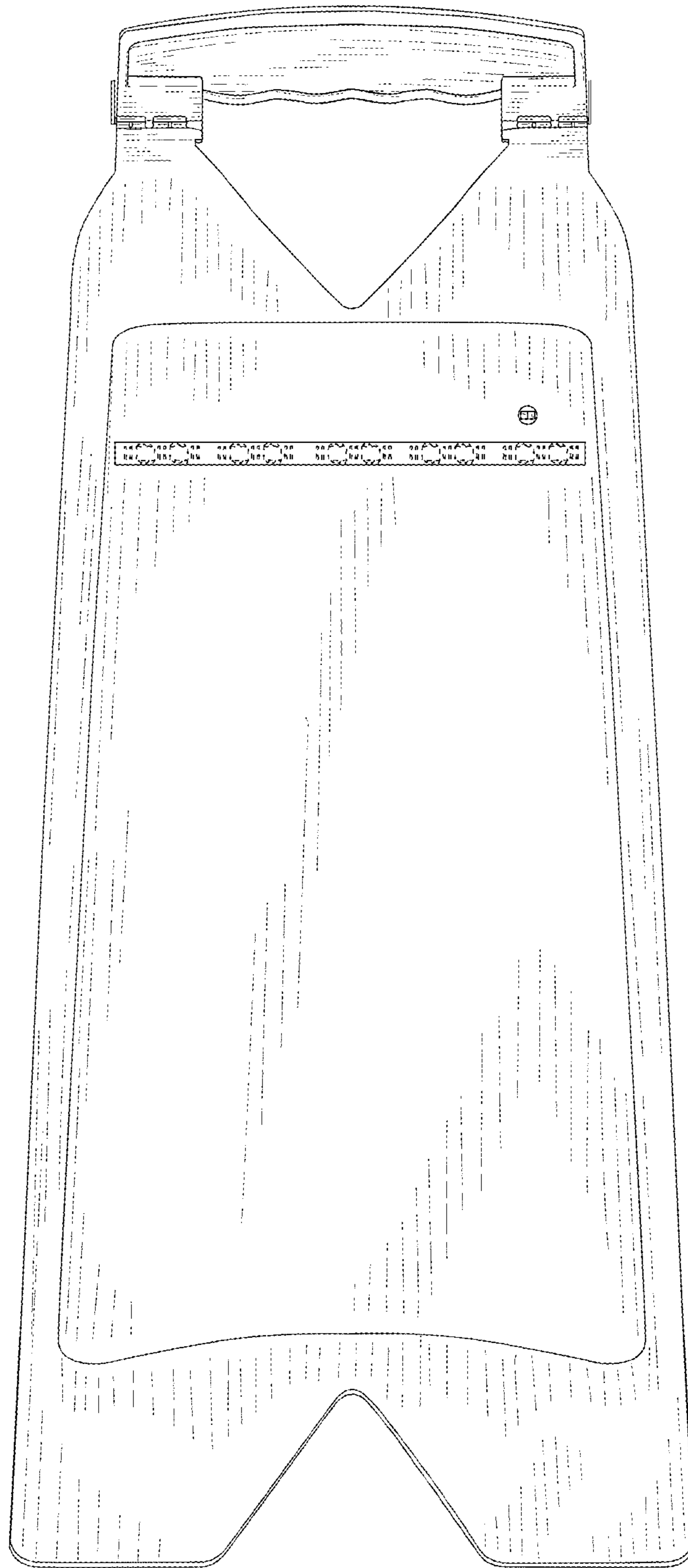


FIG. 4

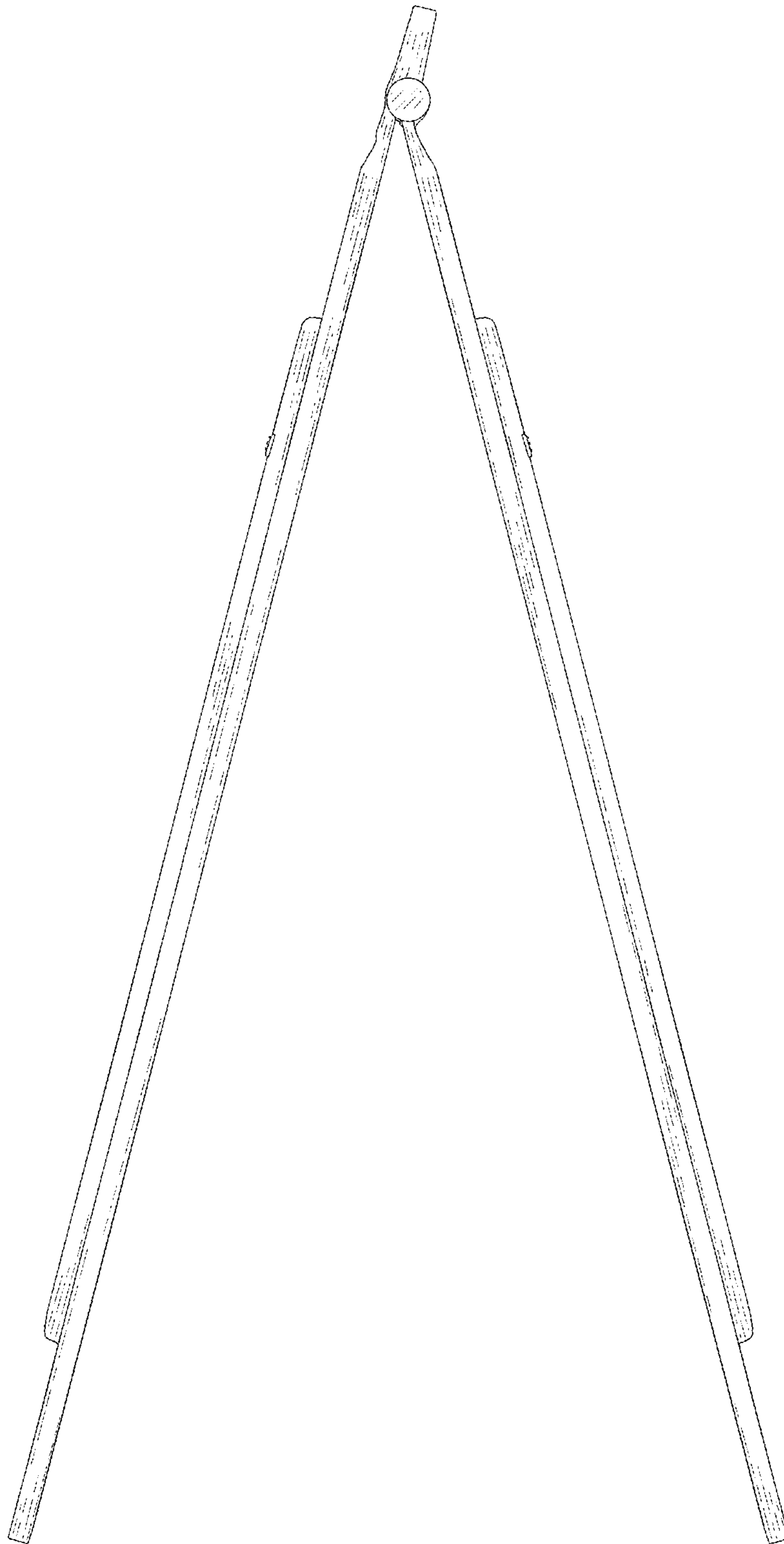


FIG. 5

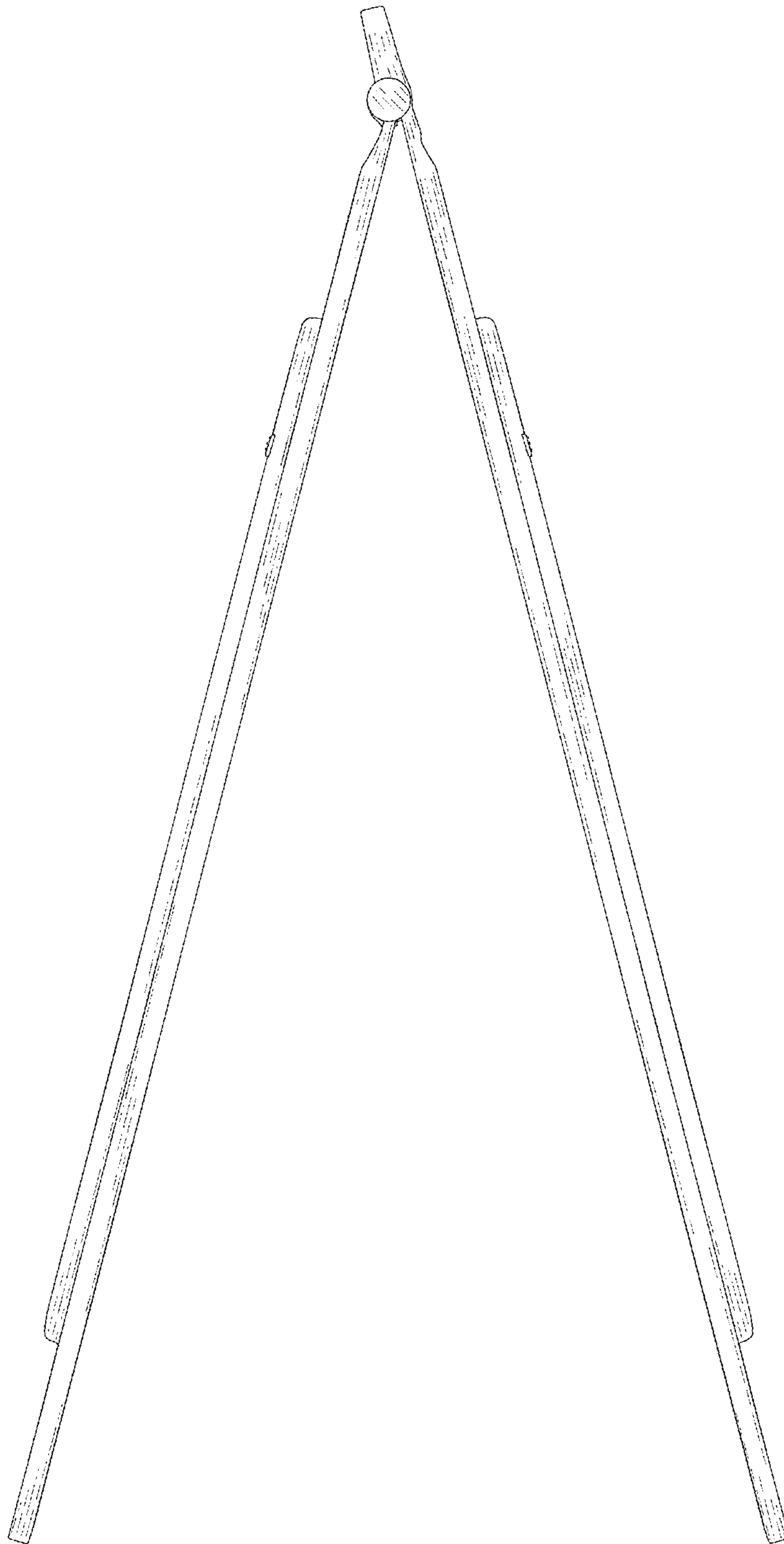


FIG. 6

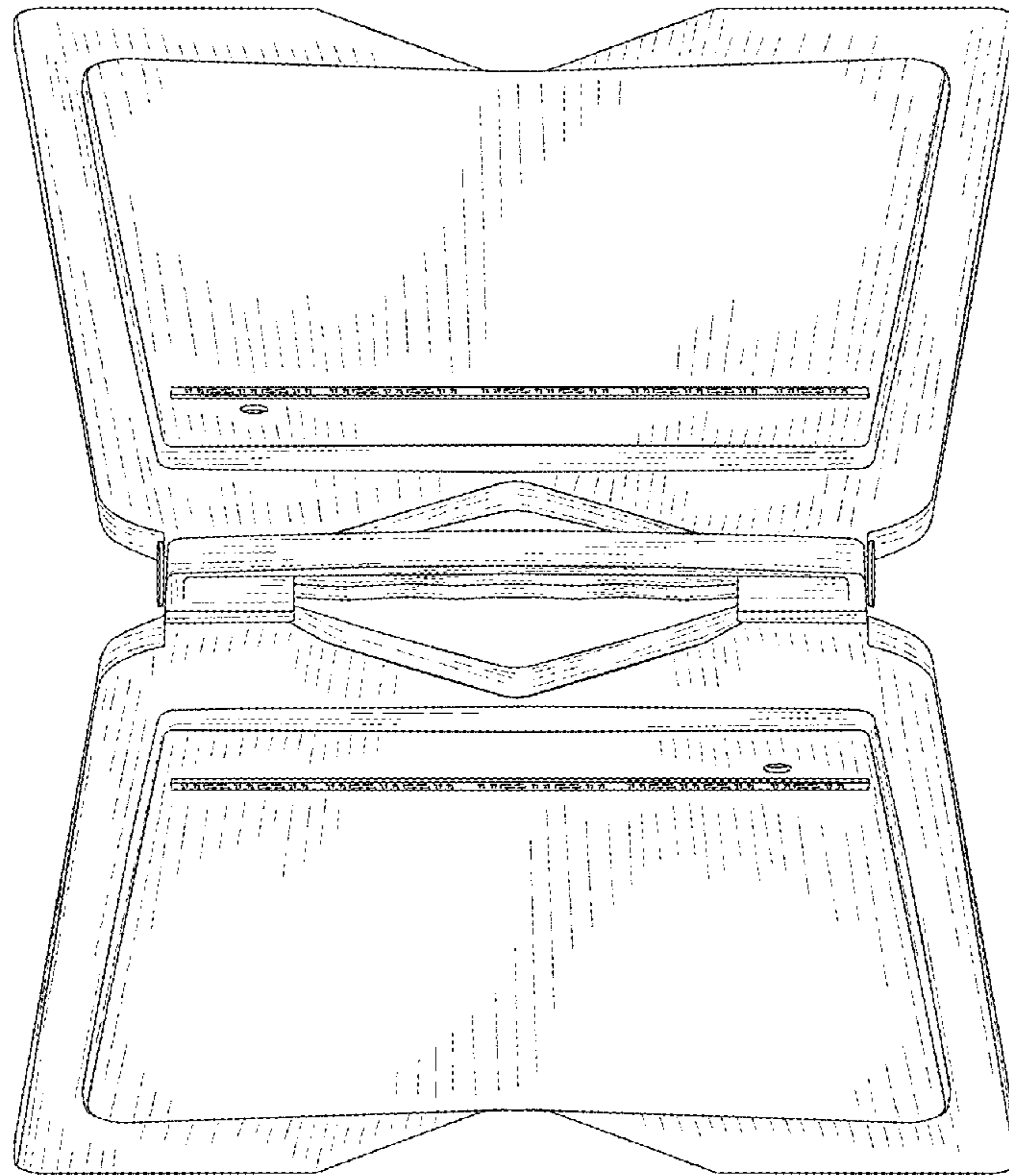


FIG. 7

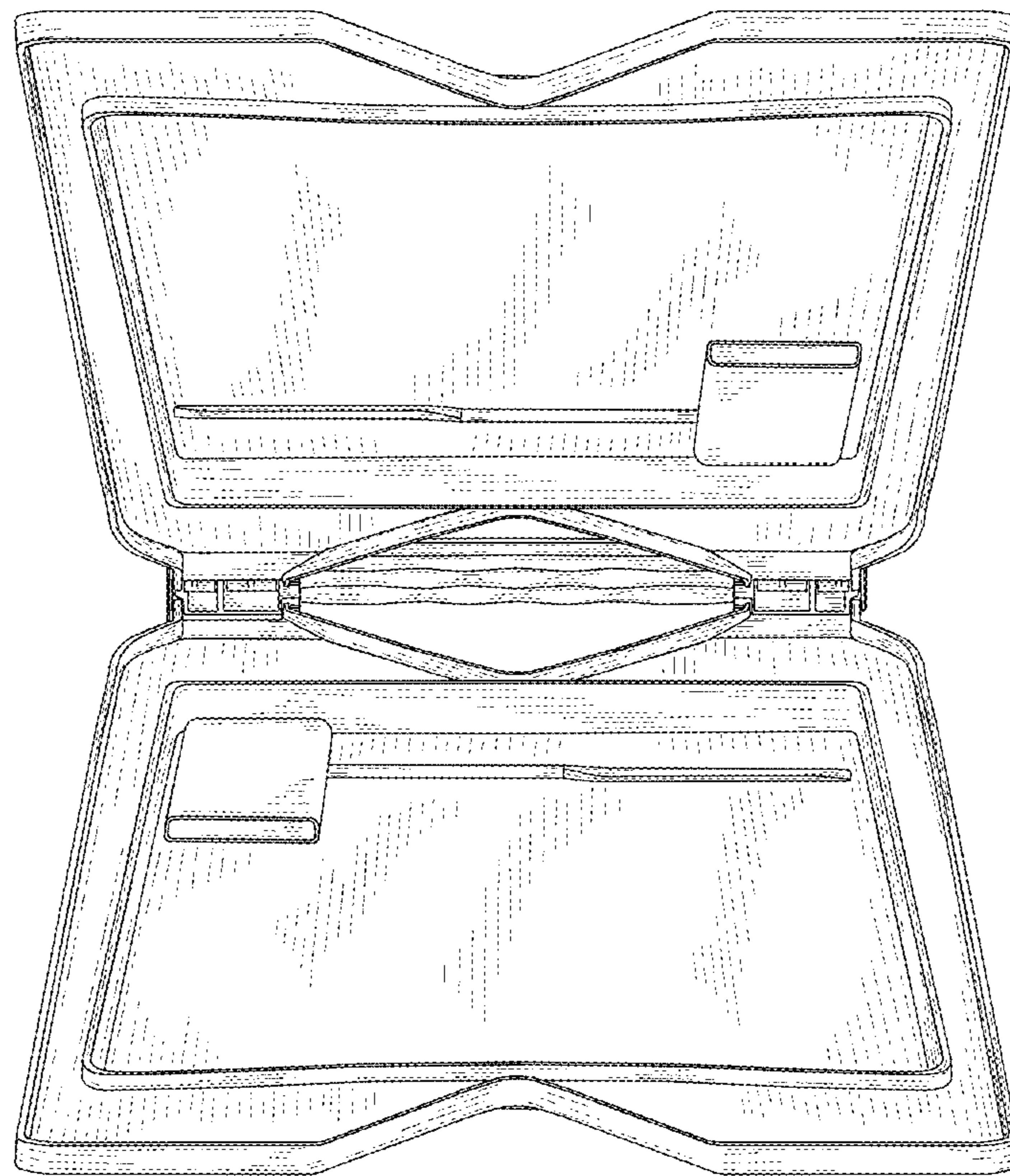


FIG. 8