



US00D868153S

(12) **United States Design Patent**
Mita et al.

(10) **Patent No.:** **US D868,153 S**

(45) **Date of Patent:** **** Nov. 26, 2019**

(54) **PRINTER**

FOREIGN PATENT DOCUMENTS

(71) Applicant: **BROTHER INDUSTRIES, LTD.**,
Nagoya-shi, Aichi-ken (JP)

JP D1542792 * 2/2016
WO D091749-005 * 7/2016

(72) Inventors: **Masayoshi Mita**, Nagoya (JP); **Toshiya Inada**, Nagoya (JP)

OTHER PUBLICATIONS

(73) Assignee: **BROTHER INDUSTRIES, LTD.**,
Nagoya (JP)

PC World. Link: <https://www.pcworld.com/article/2067000/brother-mfc-j6920dw-review-a-fast-capable-mfp-stuck-with-mediocre-print-quality.html>. Dec. 5, 2013. Brother MFC-J6920dw review: a fast, capable MFP stuck with mediocre print quality. (Year: 2013).*

(**) Term: **15 Years**

Primary Examiner — Susan Bennett Hattan

(21) Appl. No.: **29/664,741**

Assistant Examiner — Lauren D McVey

(22) Filed: **Sep. 27, 2018**

(74) *Attorney, Agent, or Firm* — Oliff PLC

(30) **Foreign Application Priority Data**

(57) **CLAIM**

Mar. 29, 2018 (JP) 2018-006863

The ornamental design for a printer, as shown and described.

(51) **LOC (12) Cl.** **14-02**

(52) **U.S. Cl.**
USPC **D18/56; D18/50**

DESCRIPTION

(58) **Field of Classification Search**

USPC D18/55, 50, 53, 54, 56, 59, 36, 37, 38,
D18/39, 40, 41, 45, 49; D14/301, 307,
D14/121

CPC H04N 1/00204; H04N 1/00249; H04N
1/00278; G06K 15/12; G06K 15/14; B41J
3/00; B41J 3/28; B41J 3/445; B41J 3/46

See application file for complete search history.

FIG. 1 is a left-side perspective view of the printer;
FIG. 2 is a front view thereof;
FIG. 3 is a rear view thereof;
FIG. 4 is a left-side view thereof;
FIG. 5 is a right-side view thereof;
FIG. 6 is a top view thereof;
FIG. 7 is a bottom view thereof; and,
FIG. 8 is a cross-section taken in the direction of line 8-8 in
FIG. 2.

(56) **References Cited**

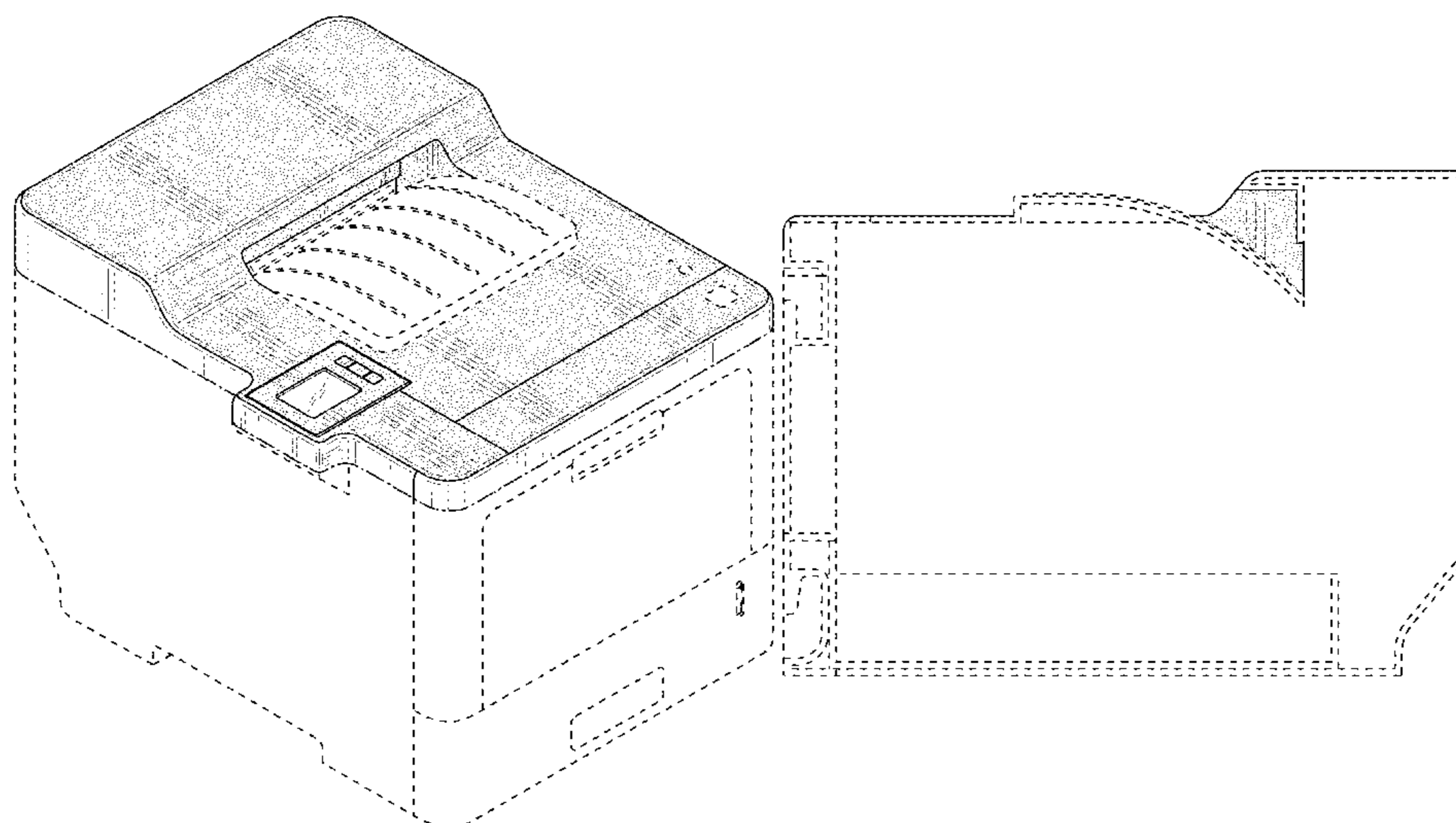
U.S. PATENT DOCUMENTS

D554,698 S * 11/2007 Miller D18/55
D653,704 S * 2/2012 Seki D18/55
D698,862 S * 2/2014 Nanno D18/55
D749,169 S * 2/2016 Kil D18/55
D749,170 S * 2/2016 Nakagawa D18/55
D749,172 S * 2/2016 Nakagawa D18/55
D786,343 S * 5/2017 Kil D18/55
D800,125 S * 10/2017 Yin D14/422

The dot-dash lines and evenly spaced broken lines immediately adjacent the shaded areas depict the bounds of the claimed design, while all other evenly spaced broken lines are directed to environment. In addition, the unshaded surfaces that directly adjoin the solid line edges form no part of the claimed design. The broken lines form no part of the claimed design.

The stipple shading as used in this application is a drafting convention used to show contrast with adjacent surfaces.

1 Claim, 8 Drawing Sheets



(56)

References Cited

U.S. PATENT DOCUMENTS

D805,578 S * 12/2017 Mita D18/55
D822,760 S * 7/2018 Xia D18/50
D826,318 S * 8/2018 Brown D18/50
D826,319 S * 8/2018 Inada D18/50
2018/0060707 A1* 3/2018 Yoshida B65H 5/062

* cited by examiner

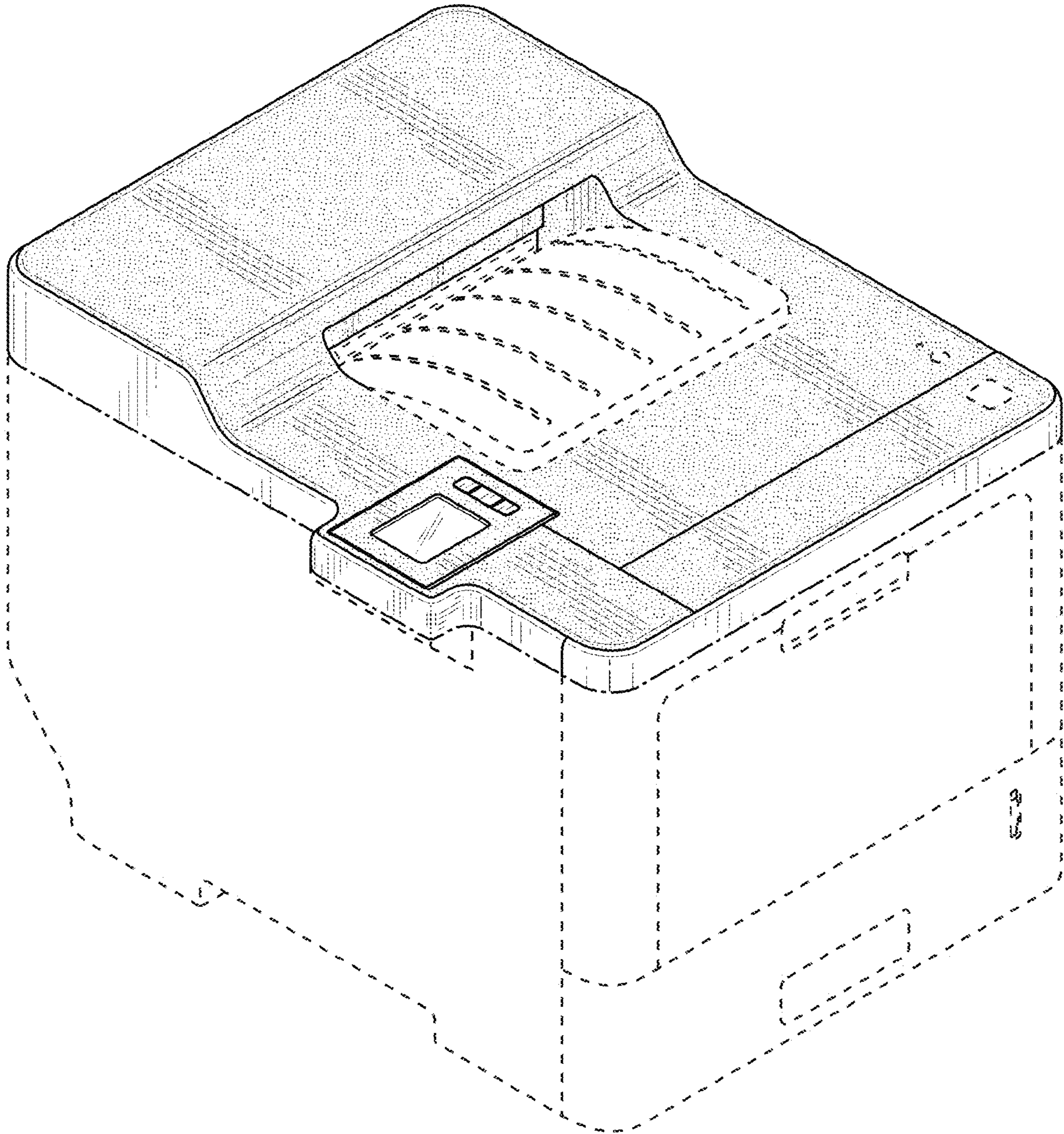


FIG. 1

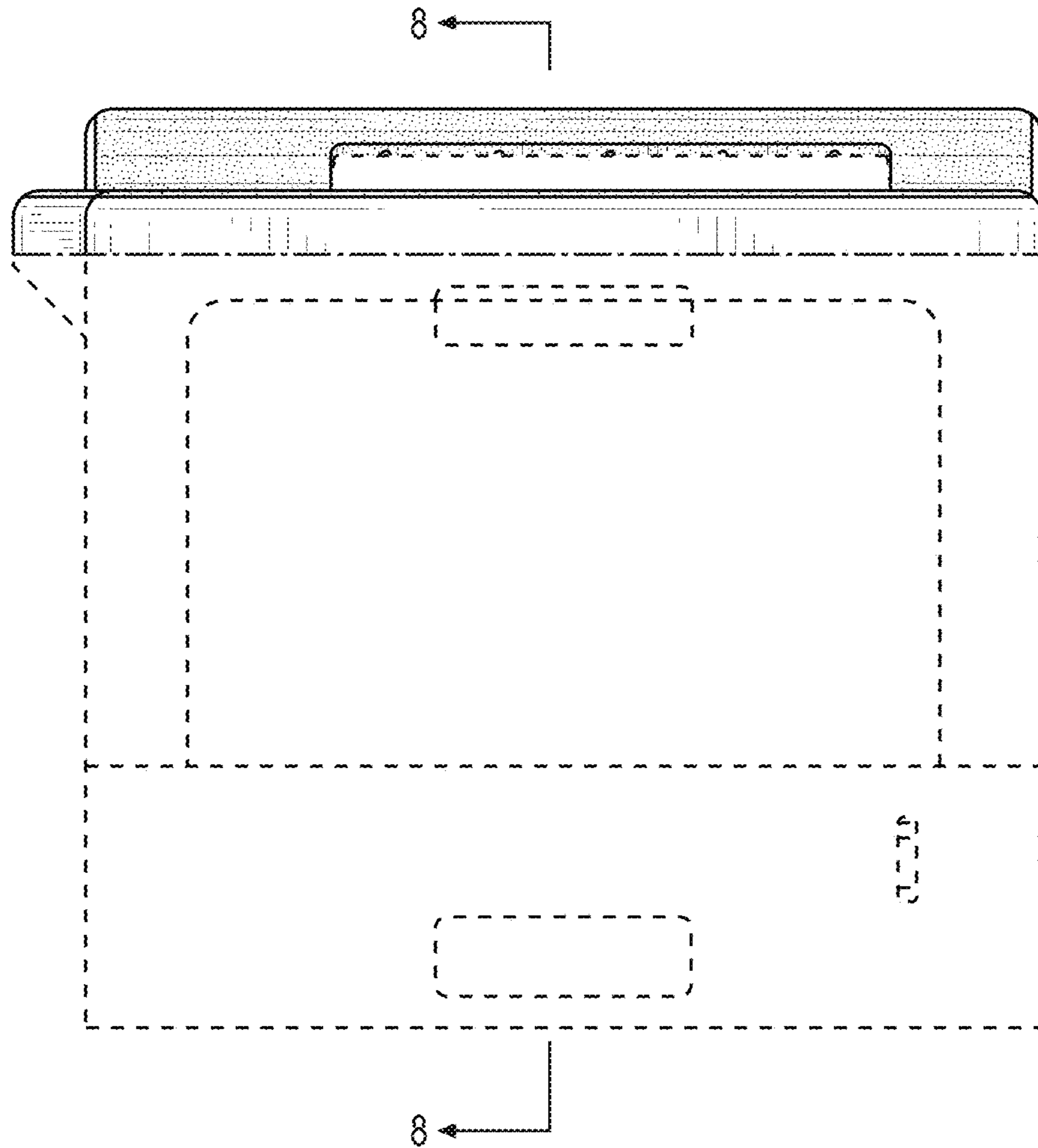


FIG. 2

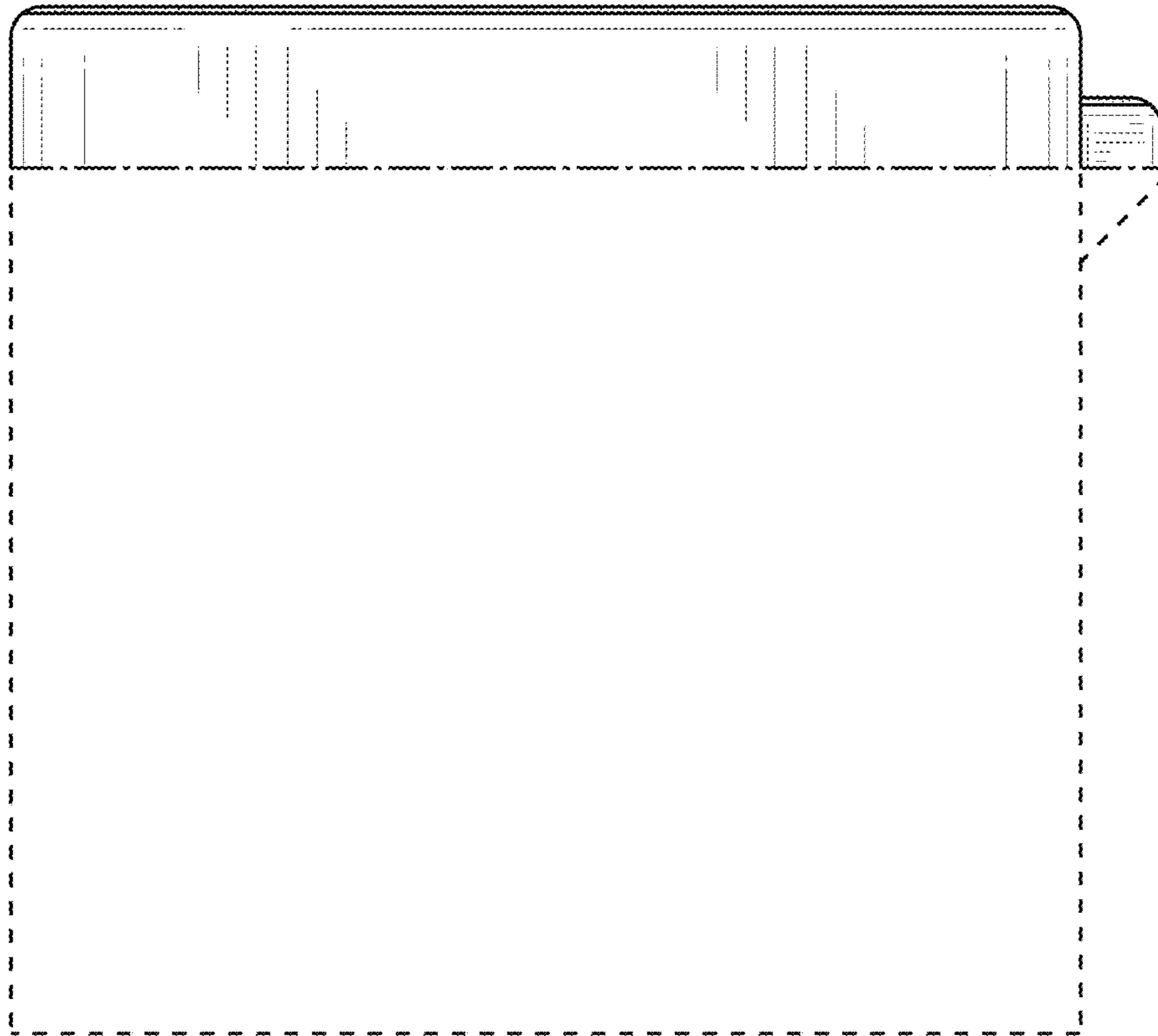


FIG. 3

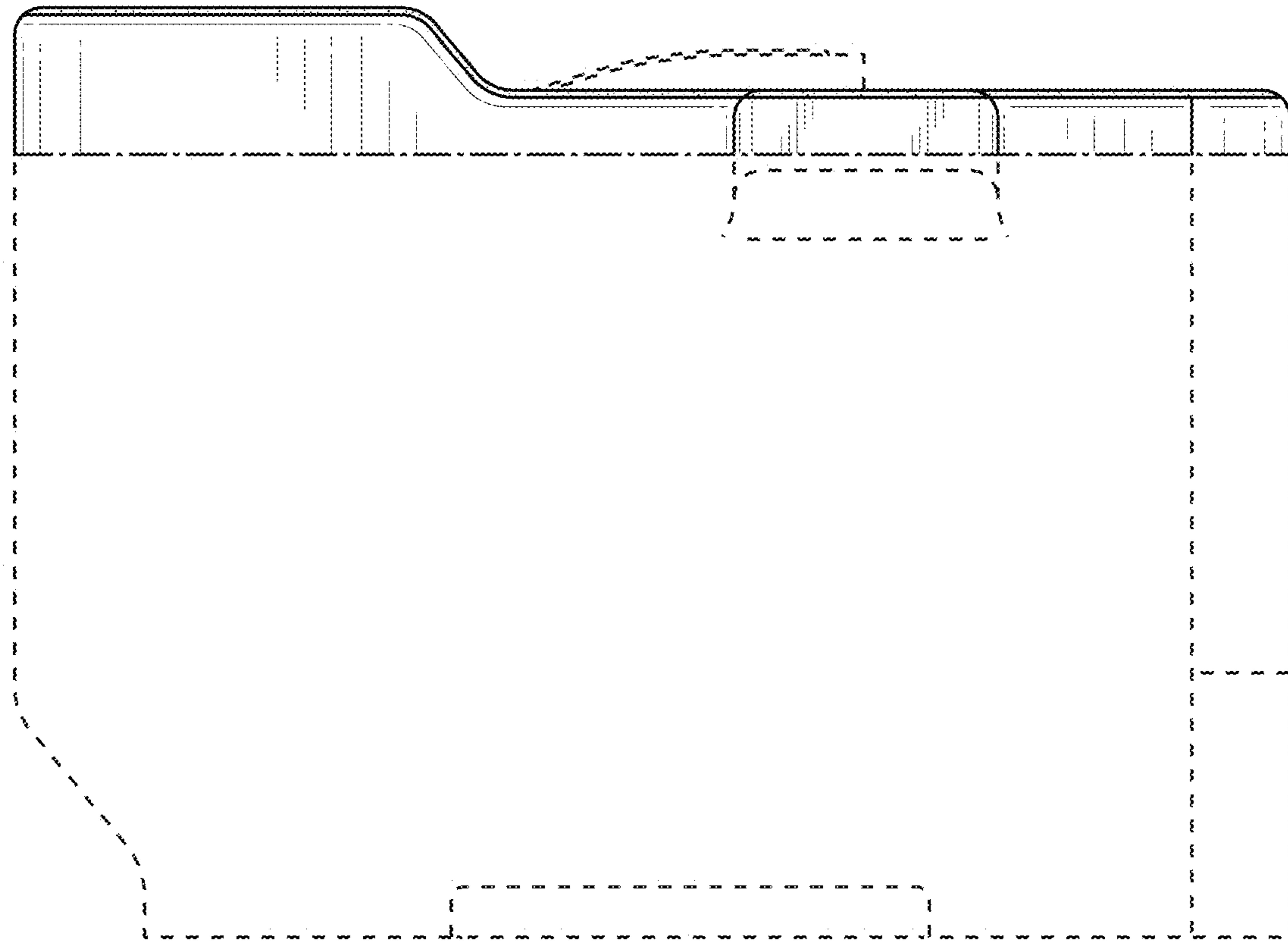


FIG. 4

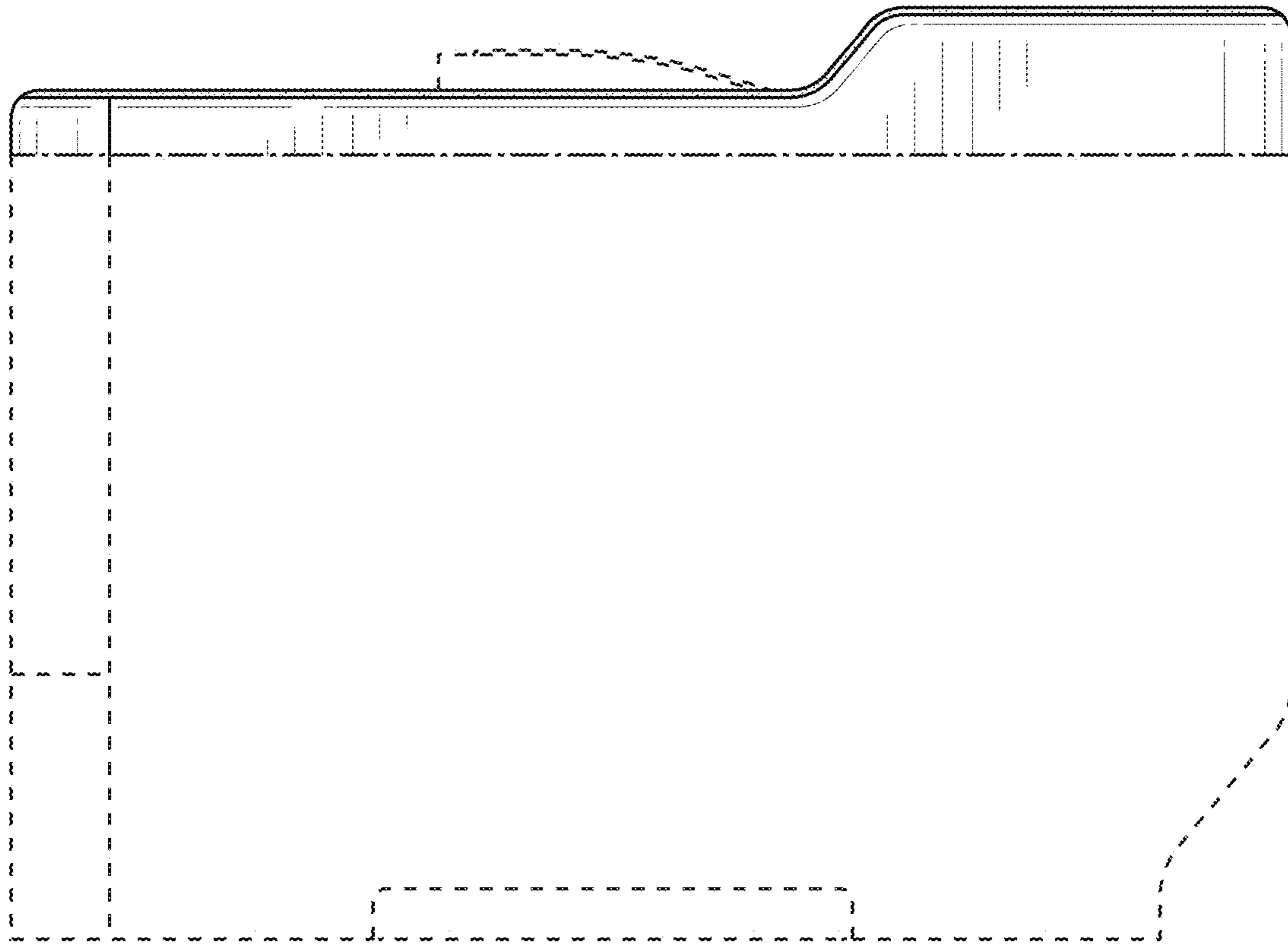


FIG. 5

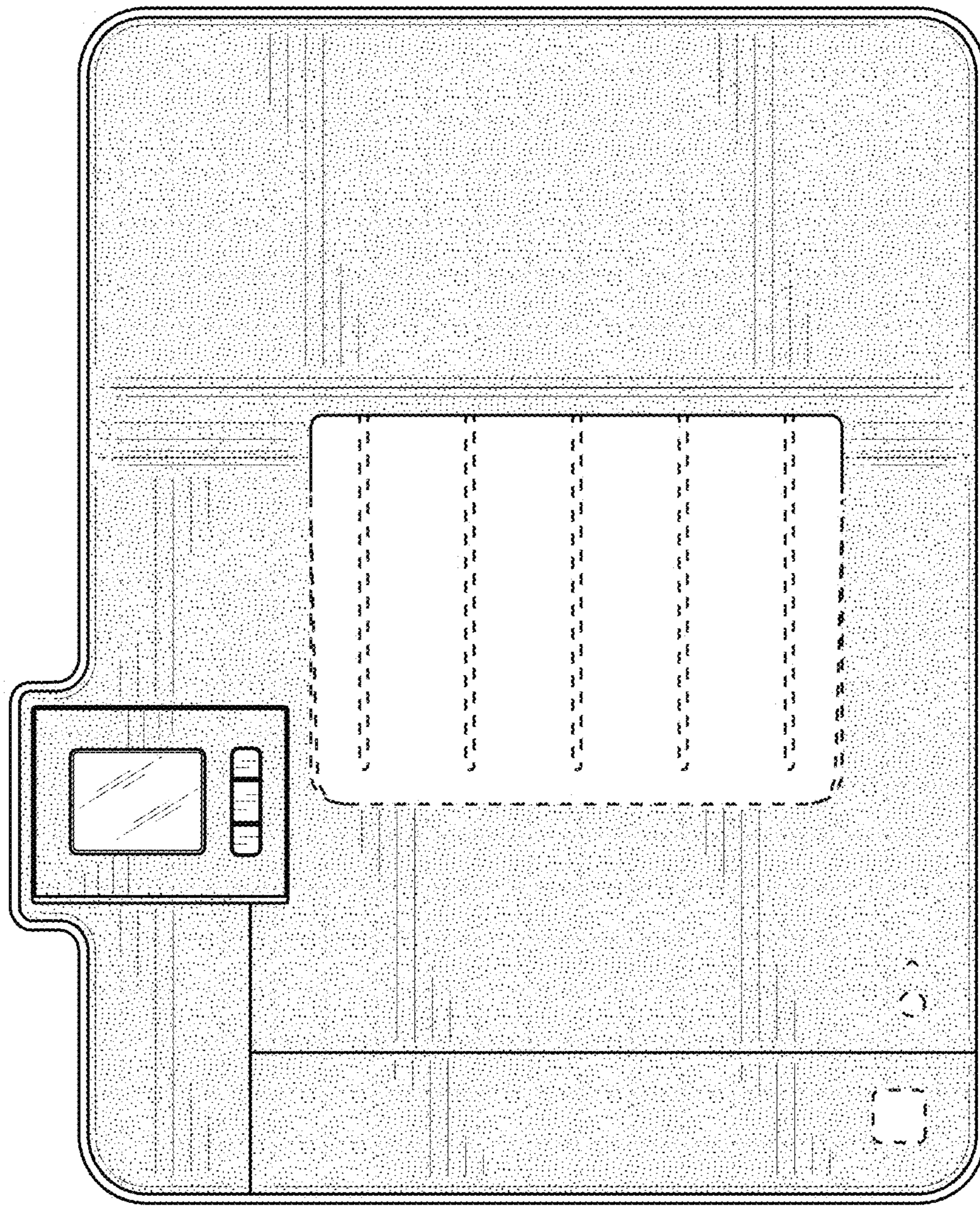


FIG. 6

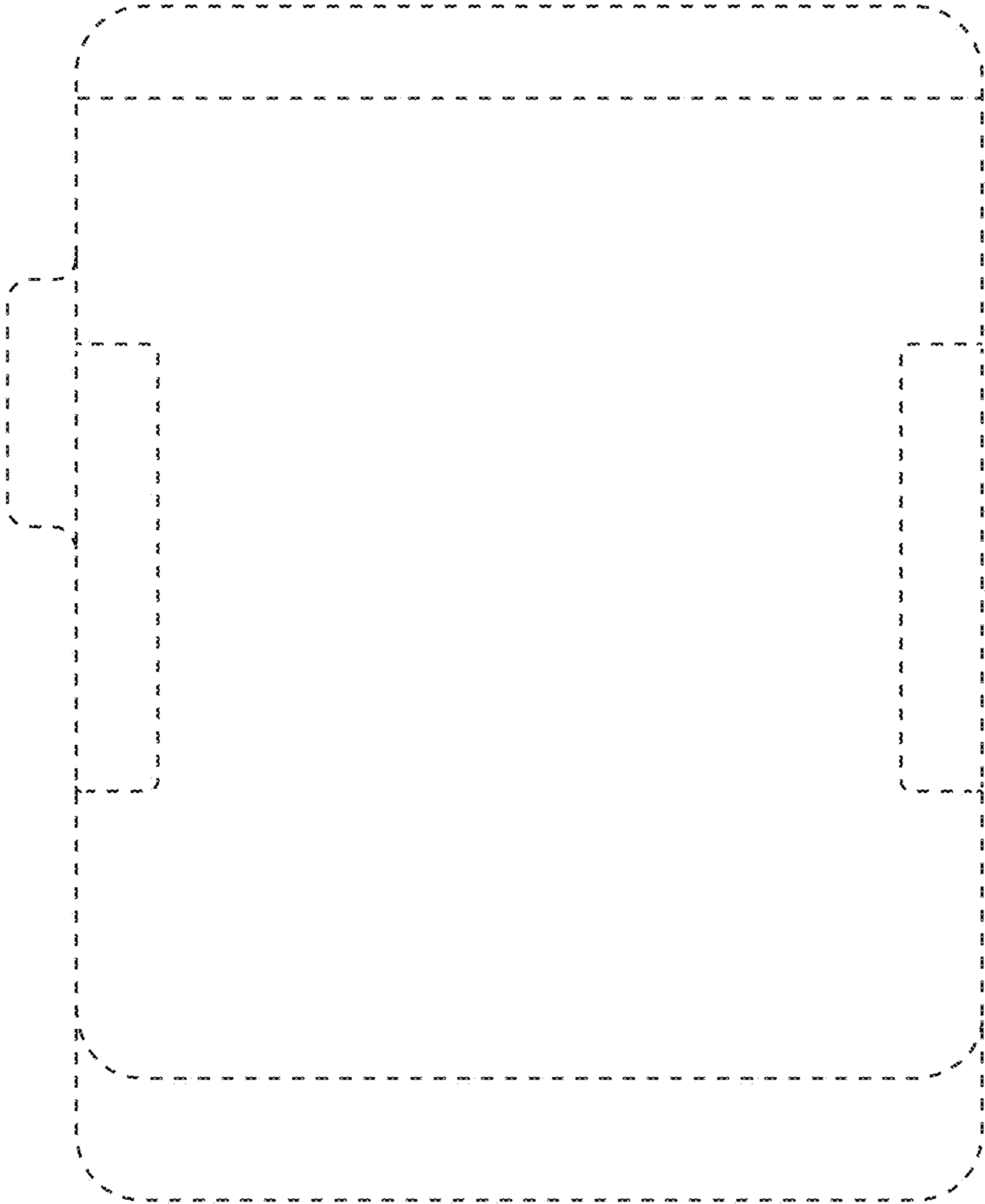


FIG. 7

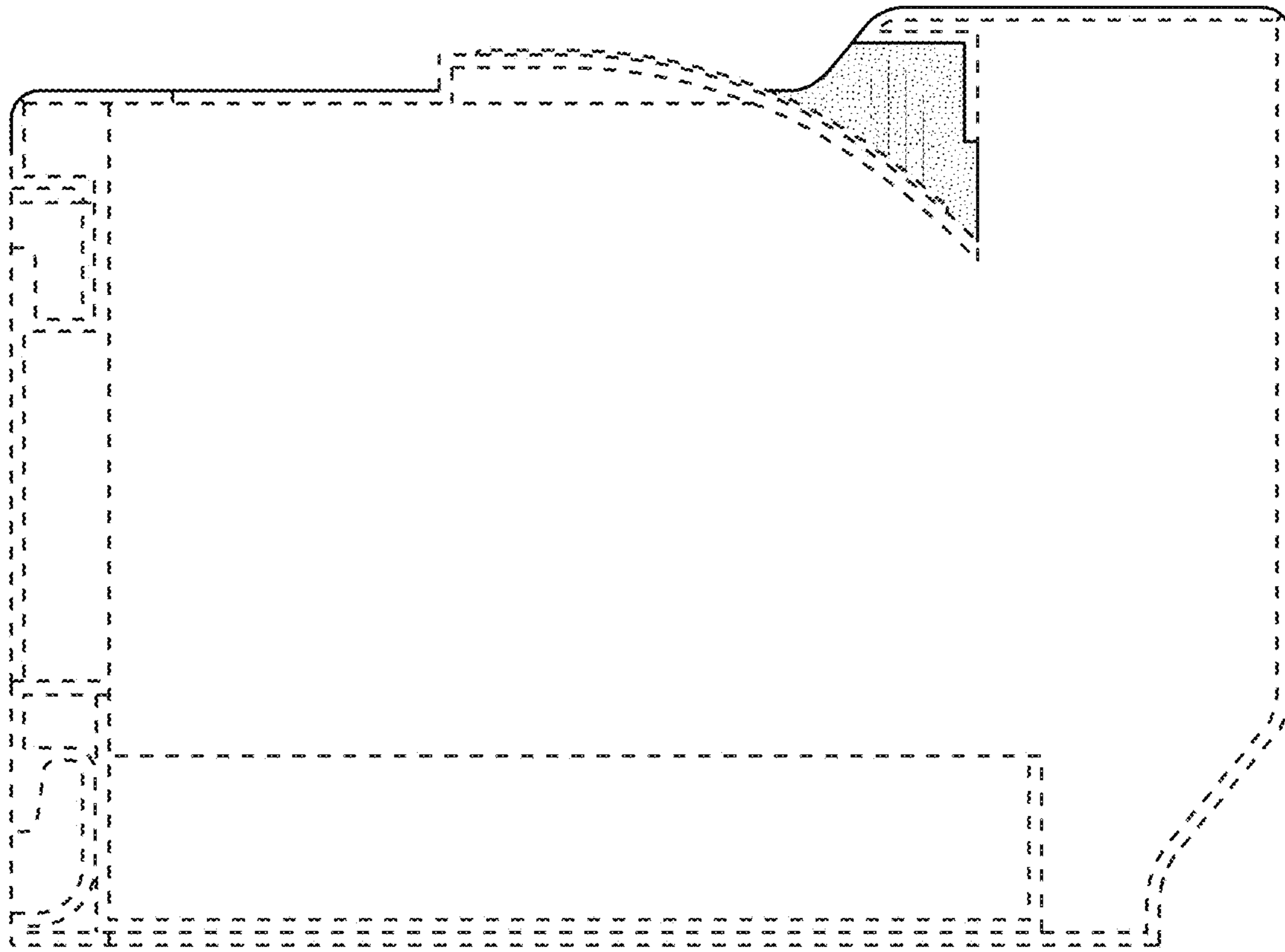


FIG. 8