



US00D868152S

(12) **United States Design Patent**
Inada et al.

(10) **Patent No.:** **US D868,152 S**
(45) **Date of Patent:** **** Nov. 26, 2019**

(54) **PRINTER**

(71) Applicant: **BROTHER INDUSTRIES, LTD.**,
Nagoya-shi, Aichi-ken (JP)

(72) Inventors: **Toshiya Inada**, Nagoya (JP);
Masayoshi Mita, Nagoya (JP)

(73) Assignee: **BROTHER INDUSTRIES, LTD.**,
Nagoya (JP)

(**) Term: **15 Years**

(21) Appl. No.: **29/664,718**

(22) Filed: **Sep. 27, 2018**

(30) **Foreign Application Priority Data**

Mar. 29, 2018 (JP) 2018-006861

(51) **LOC (12) Cl.** **14-02**

(52) **U.S. Cl.**
USPC **D18/56; D18/50**

(58) **Field of Classification Search**
USPC D18/55, 50, 53, 54, 56, 59, 36, 37, 38,
D18/39, 40, 41, 45, 49; D14/301, 307,
D14/121
CPC H04N 1/00204; H04N 1/00249; H04N
1/00278; G06K 15/12; G06K 15/14; B41J
3/00; B41J 3/28; B41J 3/445; B41J 3/46
See application file for complete search history.

(56) **References Cited**

U.S. PATENT DOCUMENTS

- D554,698 S * 11/2007 Miller D18/55
- D653,704 S * 2/2012 Seki D18/55
- D698,862 S * 2/2014 Nanno D18/55
- D749,169 S * 2/2016 Kil D18/55
- D749,170 S * 2/2016 Nakagawa D18/55
- D749,172 S * 2/2016 Nakagawa D18/55
- D786,343 S * 5/2017 Kil D18/55
- D800,125 S * 10/2017 Yin D14/422

(Continued)

FOREIGN PATENT DOCUMENTS

JP D1542792 * 2/2016
WO D091749-005 * 7/2016

OTHER PUBLICATIONS

PC World. Link: <https://www.pcworld.com/article/2067000/brother-mfc-j6920dw-review-a-fast-capable-mfp-stuck-with-mediocre-print-quality.html>. Dec. 5, 2013. Brother MFC-J6920dw review: a fast, capable MFP stuck with mediocre print quality. (Year: 2013).*

Primary Examiner — Susan Bennett Hattan

Assistant Examiner — Lauren D McVey

(74) *Attorney, Agent, or Firm* — Oliff PLC

(57) **CLAIM**

The ornamental design for a printer, as shown and described.

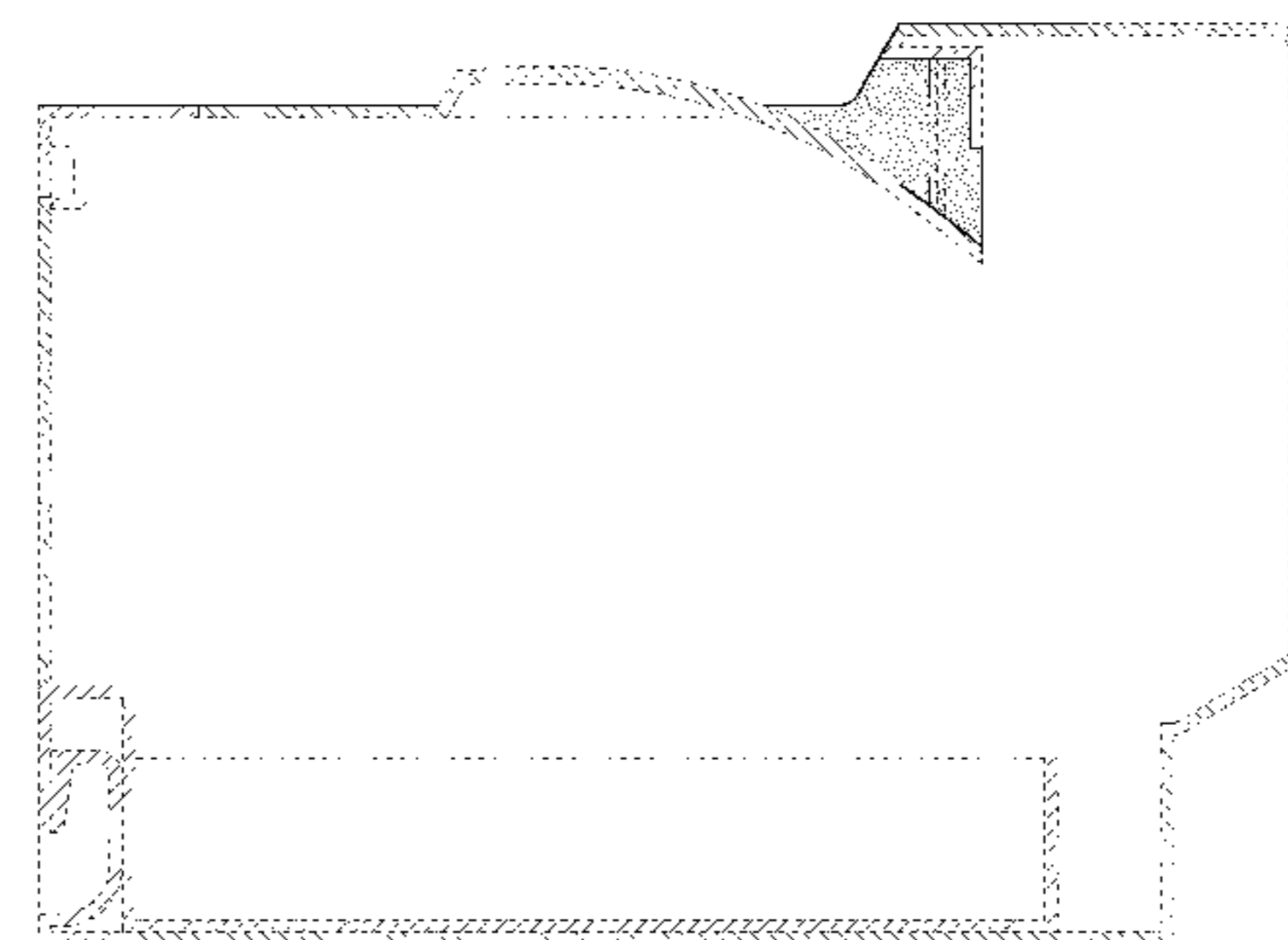
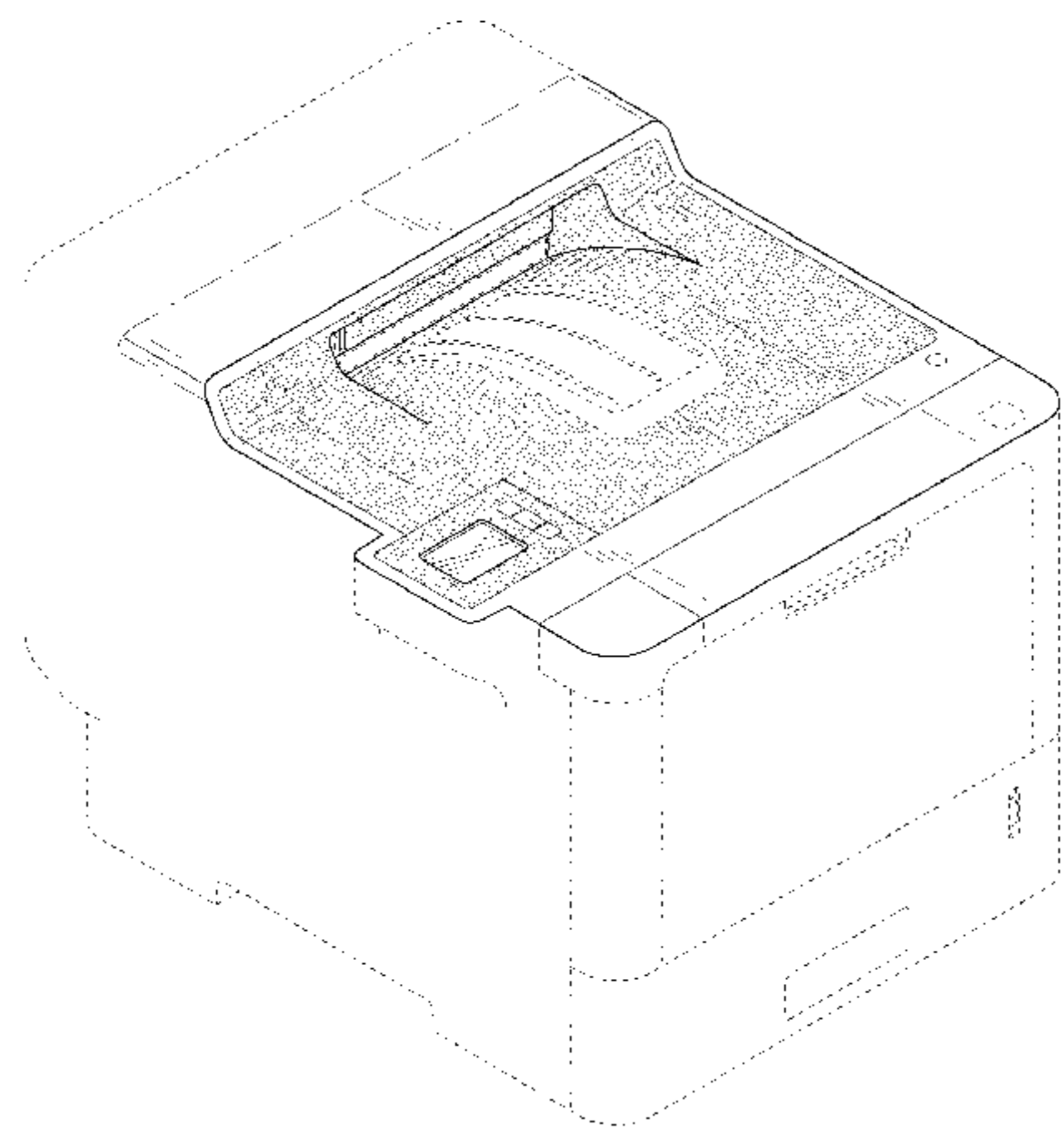
DESCRIPTION

FIG. 1 is a left-side perspective view of the printer; FIG. 2 is a front view thereof; FIG. 3 is a top view thereof; FIG. 4 is a left-side view thereof; FIG. 5 is a right-side view thereof; FIG. 6 is a rear view thereof; FIG. 7 is a bottom view thereof; and, FIG. 8 is a cross-section taken in the direction of line 8-8 in FIG. 2.

The dot-dash lines and evenly spaced broken lines immediately adjacent the shaded areas depict the bounds of the claimed design, while all other evenly spaced broken lines are directed to environment. In addition, the unshaded surfaces that directly adjoin the solid line edges form no part of the claimed design. The broken lines form no part of the claimed design.

The stipple shading as used in this application is a drafting convention used to show contrast with adjacent surfaces.

1 Claim, 8 Drawing Sheets



(56)

References Cited

U.S. PATENT DOCUMENTS

D805,578 S * 12/2017 Mita D18/55
D822,760 S * 7/2018 Xia D18/50
D826,318 S * 8/2018 Brown D18/50
D826,319 S * 8/2018 Inada D18/50
2018/0060707 A1* 3/2018 Yoshida B65H 5/062

* cited by examiner

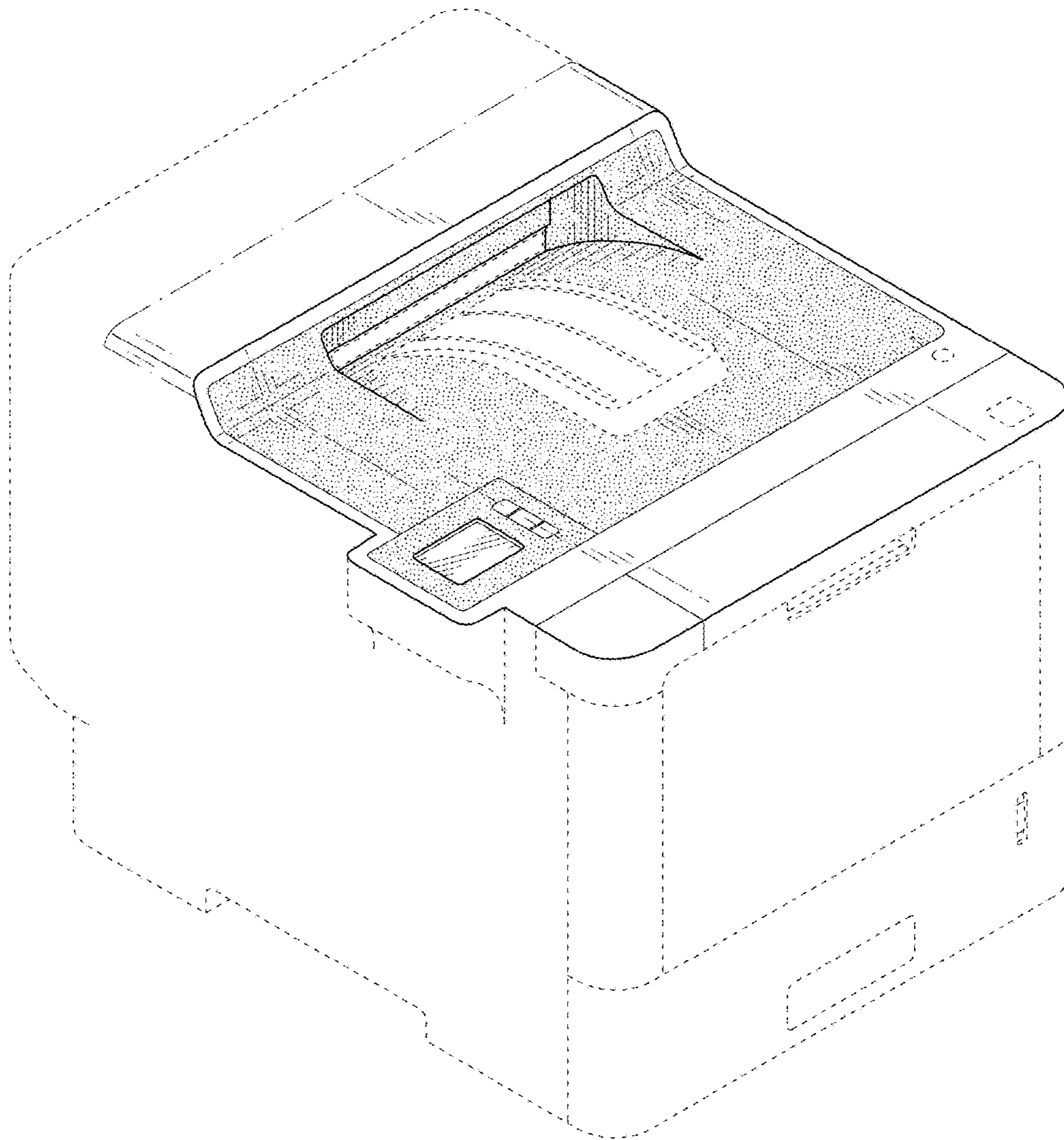


FIG. 1

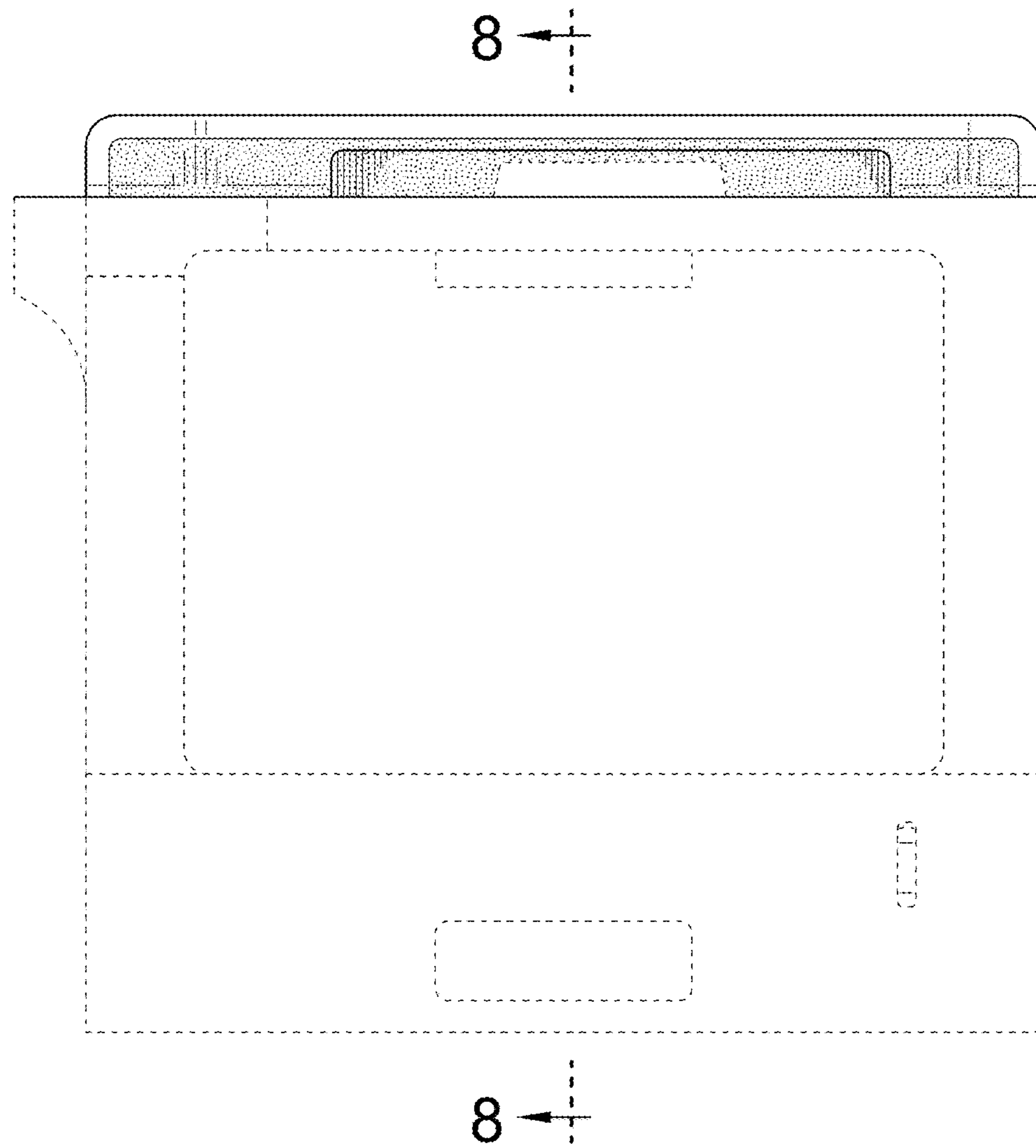


FIG. 2

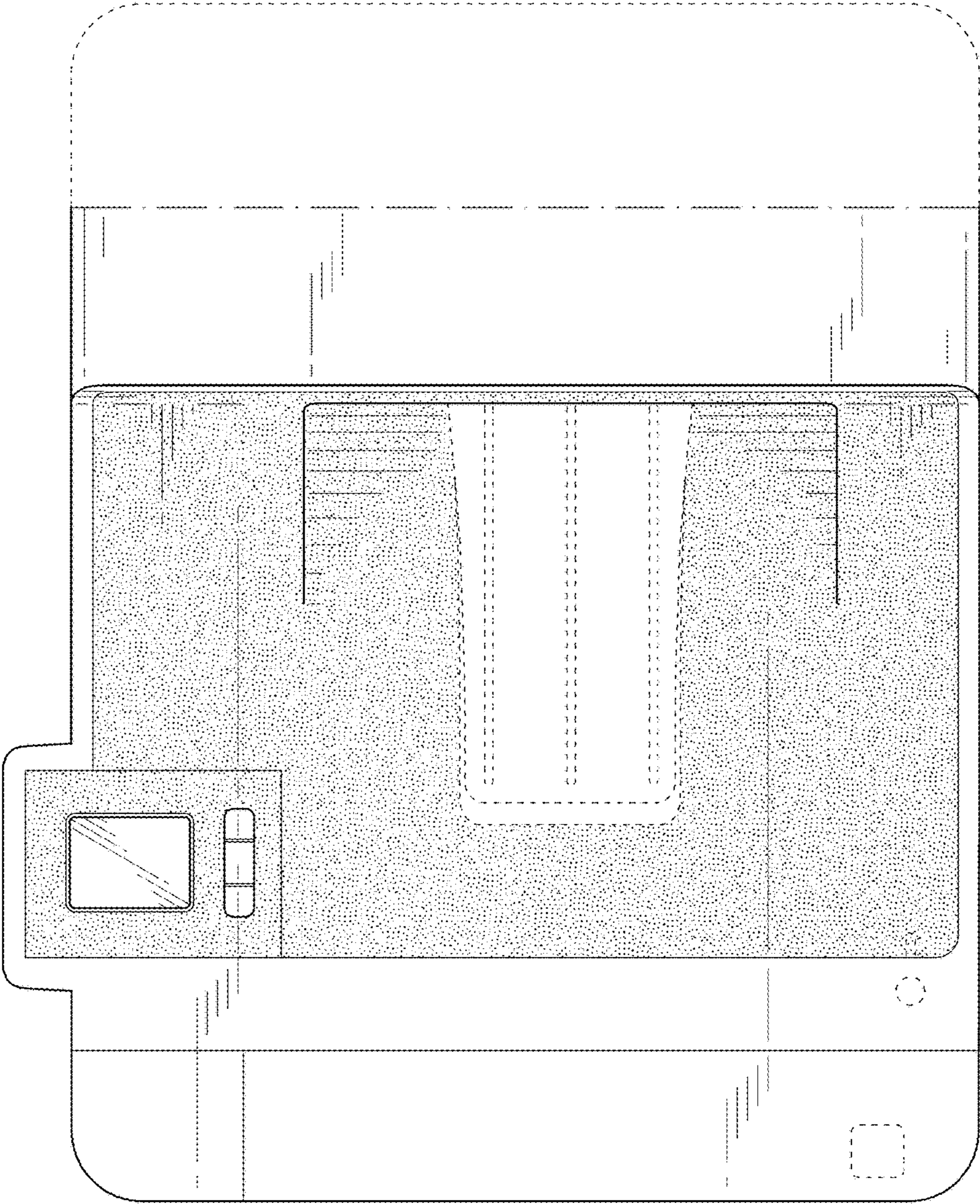


FIG. 3

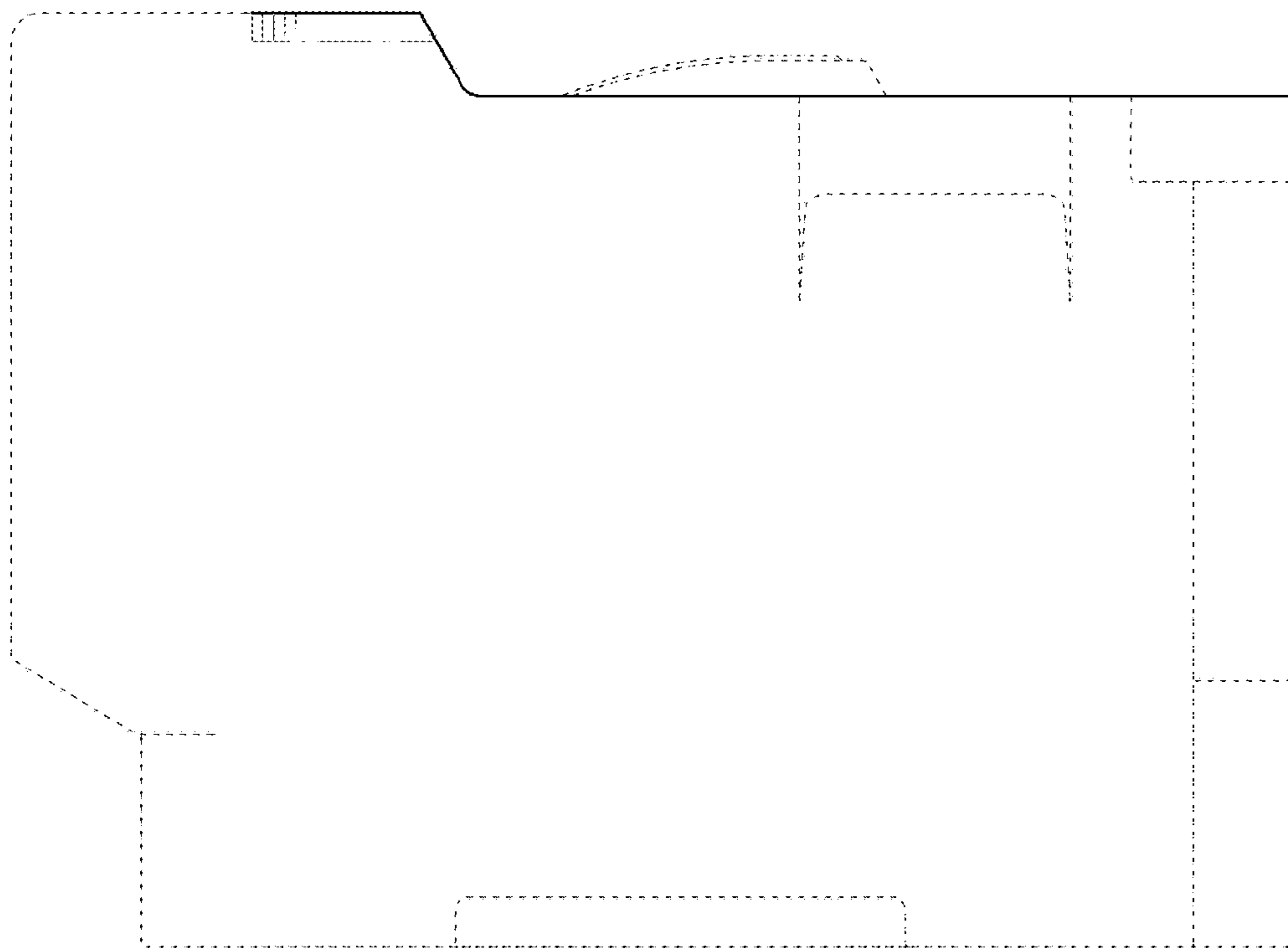


FIG. 4

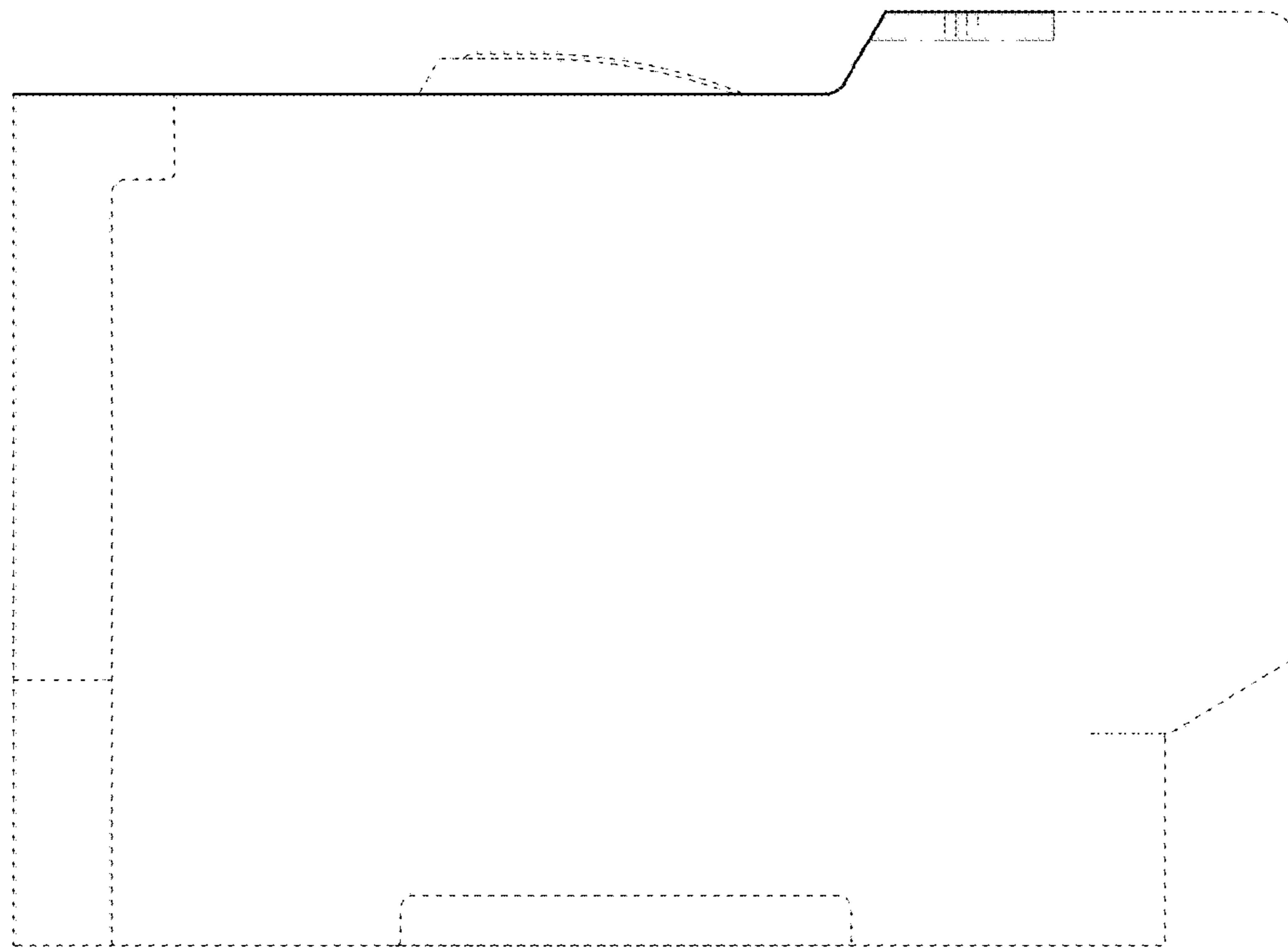


FIG. 5

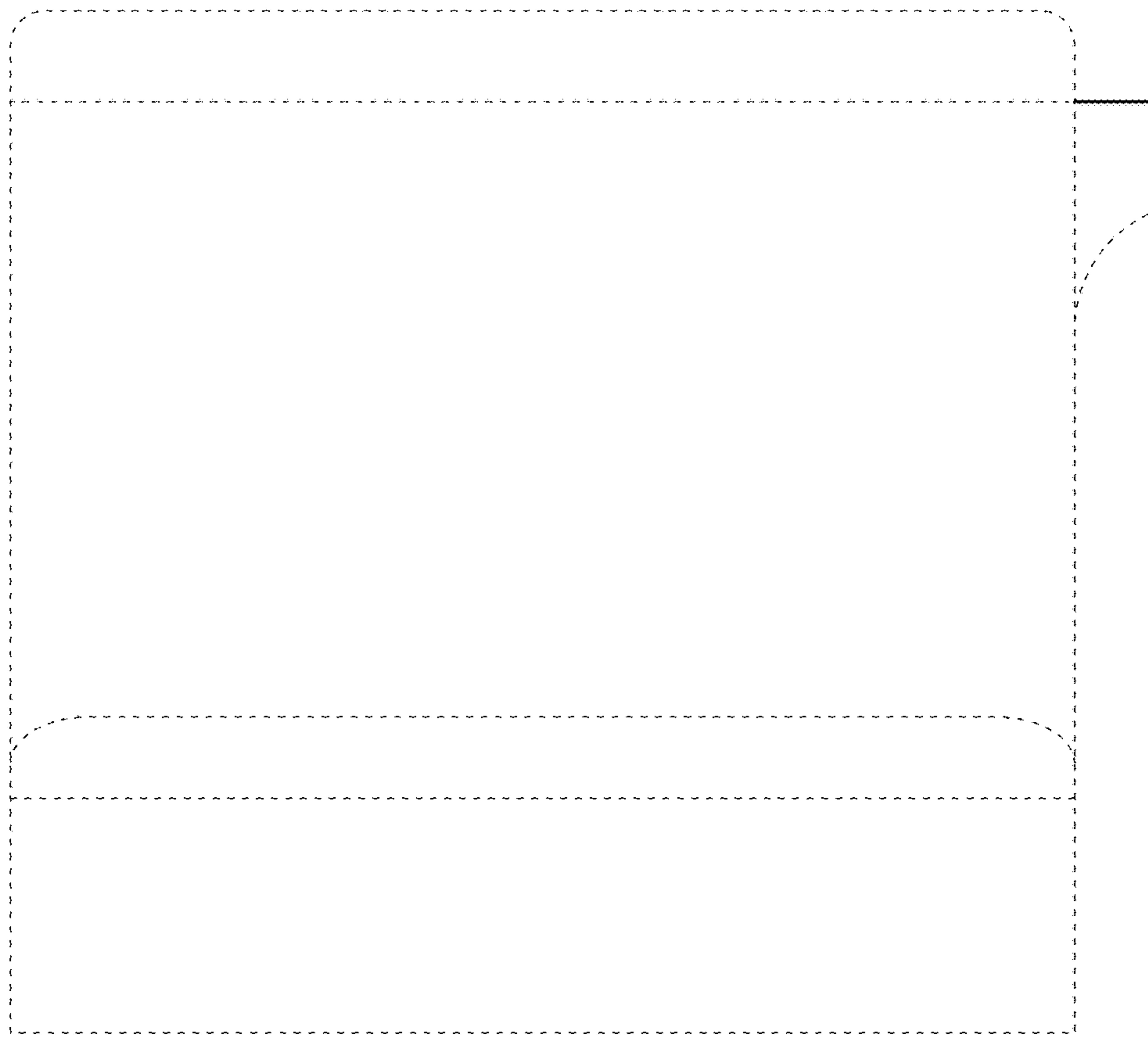


FIG. 6

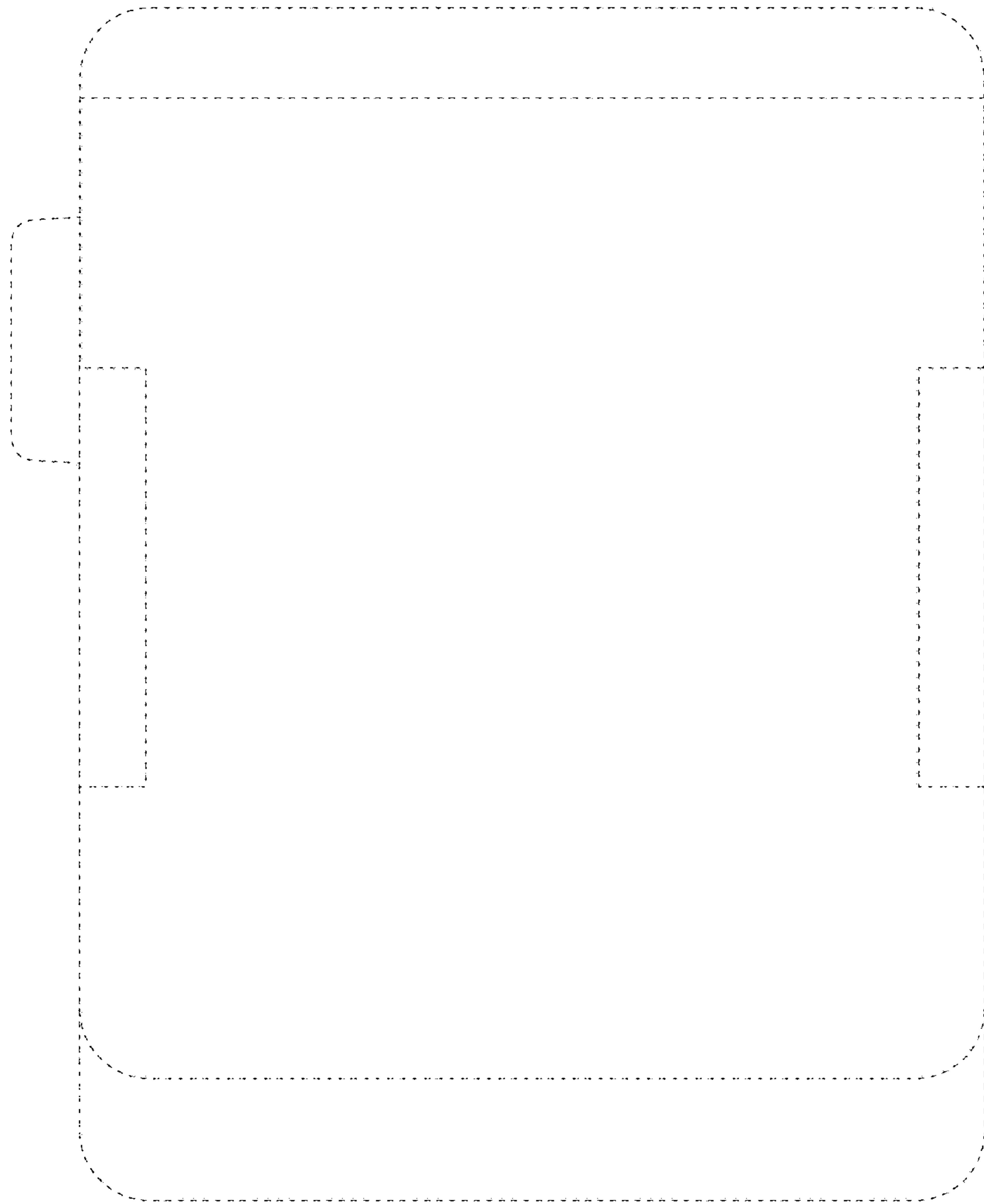


FIG. 7

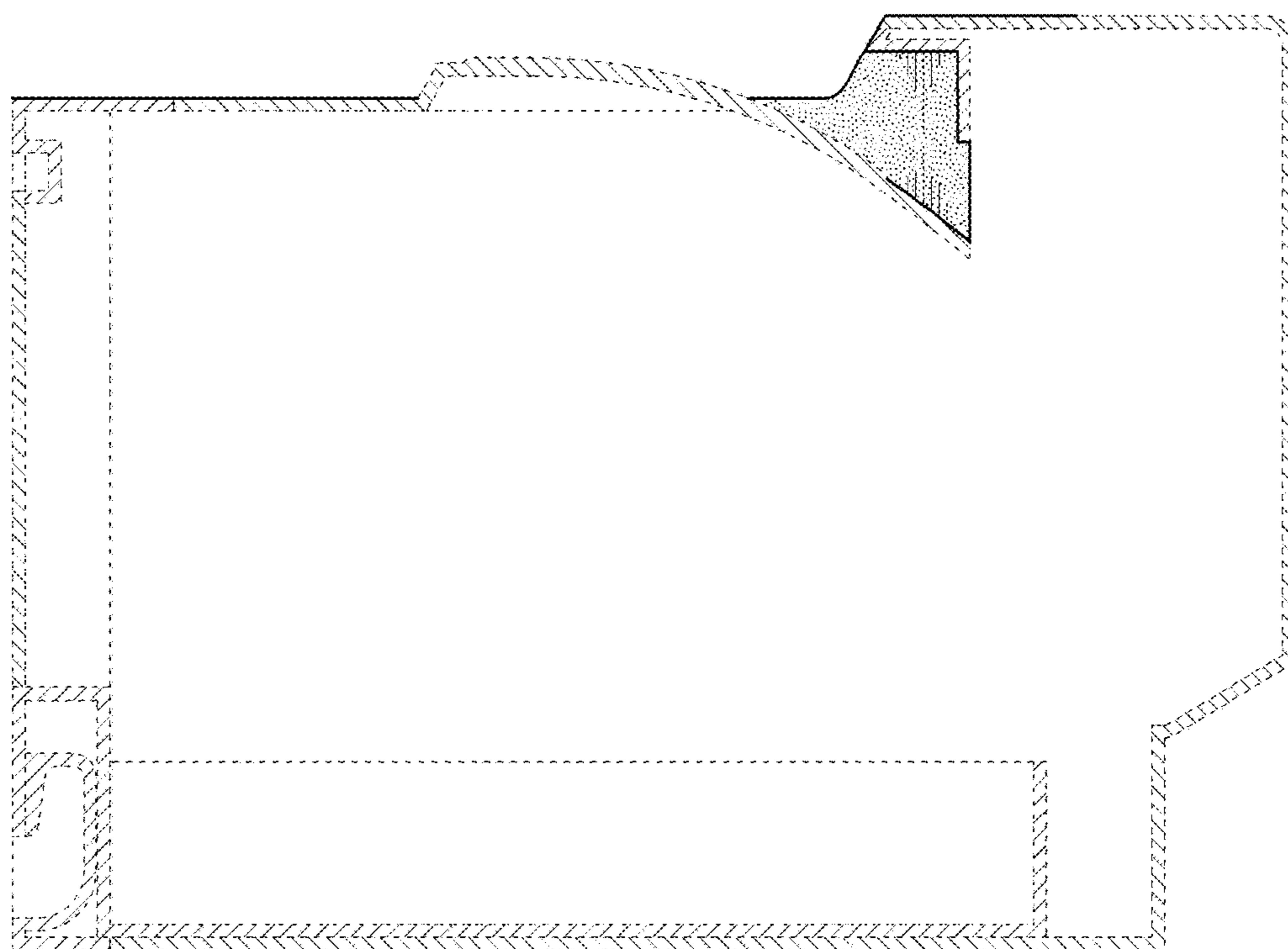


FIG. 8