



US00D868151S

(12) **United States Design Patent** (10) **Patent No.:** **US D868,151 S**
Inada et al. (45) **Date of Patent:** **** Nov. 26, 2019**

(54) **PRINTER**

(71) Applicant: **BROTHER INDUSTRIES, LTD.**,
Nagoya-shi, Aichi-ken (JP)

(72) Inventors: **Toshiya Inada**, Nagoya (JP);
Masayoshi Mita, Nagoya (JP)

(73) Assignee: **BROTHER INDUSTRIES, LTD.**,
Nagoya (JP)

(**) Term: **15 Years**

(21) Appl. No.: **29/664,899**

(22) Filed: **Sep. 28, 2018**

(30) **Foreign Application Priority Data**

Mar. 29, 2018 (JP) 2018-006856

(51) **LOC (12) Cl.** **14-02**

(52) **U.S. Cl.**
USPC **D18/55; D18/50**

(58) **Field of Classification Search**

USPC D18/55, 50, 53, 54, 56, 59, 36, 37, 38,
D18/39, 40, 41, 45; D14/301, 307, 121
CPC H04N 1/00204; H04N 1/00249; H04N
1/00278; G06K 15/12; G06K 15/14; B41J
3/00; B41J 3/28; B41J 3/445; B41J 3/46
See application file for complete search history.

(56) **References Cited**

U.S. PATENT DOCUMENTS

D687,089 S * 7/2013 Nagano D18/39
D695,339 S * 12/2013 Fukasawa D18/53
D811,474 S * 2/2018 Kim D18/55
D815,197 S * 4/2018 Kim D18/50
D821,490 S * 6/2018 Mita D18/55
D830,451 S * 10/2018 Makino D18/53
D832,341 S * 10/2018 Brown D18/50
D836,712 S * 12/2018 Brown D18/50

D849,134 S * 5/2019 Kimura D18/55
D853,478 S * 7/2019 Ino D18/50
2018/0101114 A1* 4/2018 Takeuchi G03G 21/1633
2018/0186584 A1* 7/2018 Chiu G03G 15/6502
2018/0194147 A1* 7/2018 Chiu B65H 1/266

OTHER PUBLICATIONS

PCM. Link: <http://www.pcm.com/p/HP-Inc.-Multifunction-Printers/product~dpno~40674487~pdp.bccadefg#>. Visited Jul. 17, 2019. HP Inc. Color LaserJet Pro MFP M281fdw Multifunction Printer (T6B82A#BGJ). (Year: 2019).*

* cited by examiner

Primary Examiner — Susan Bennett Hattan

Assistant Examiner — Lauren D McVey

(74) *Attorney, Agent, or Firm* — Oliff PLC

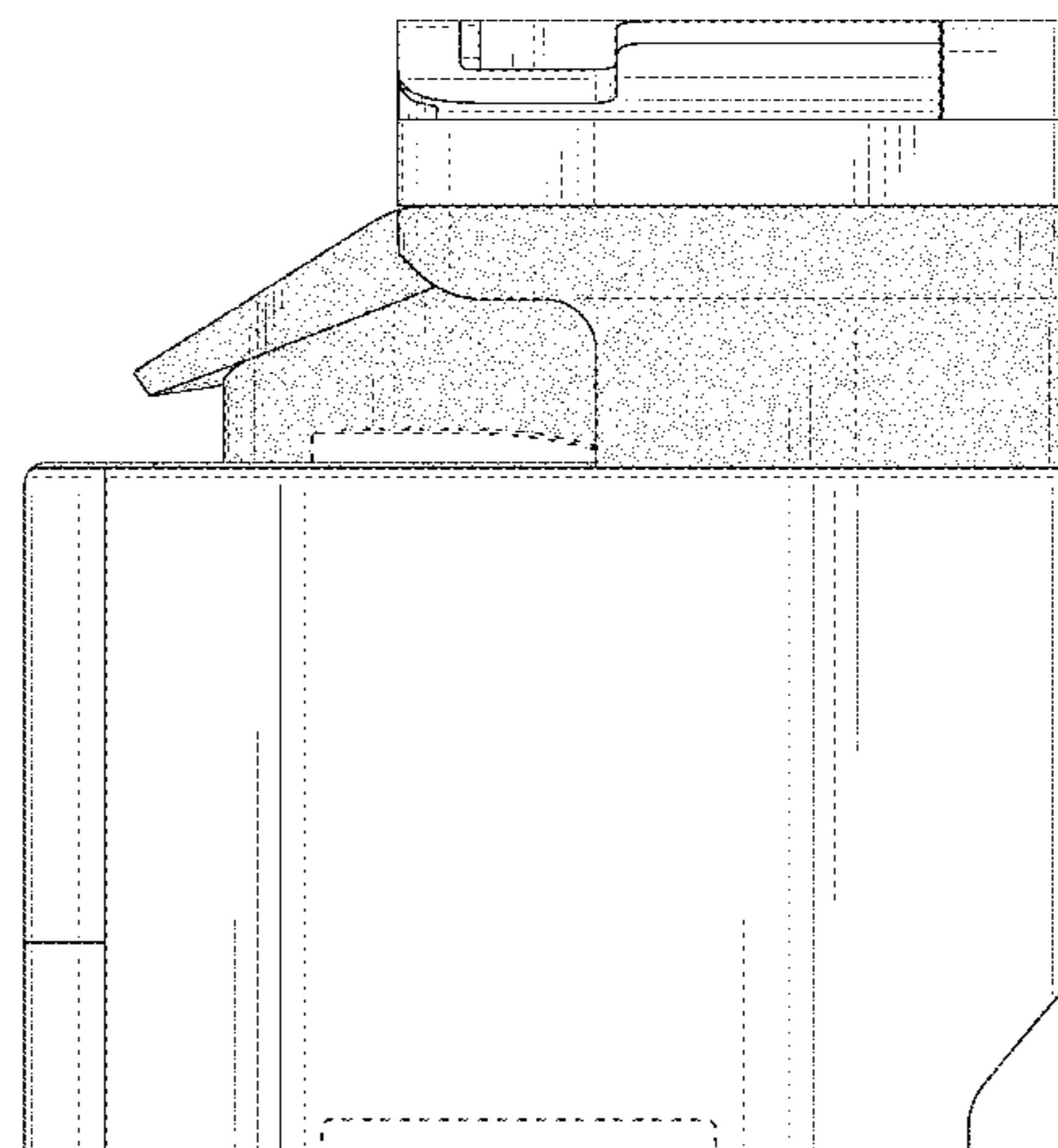
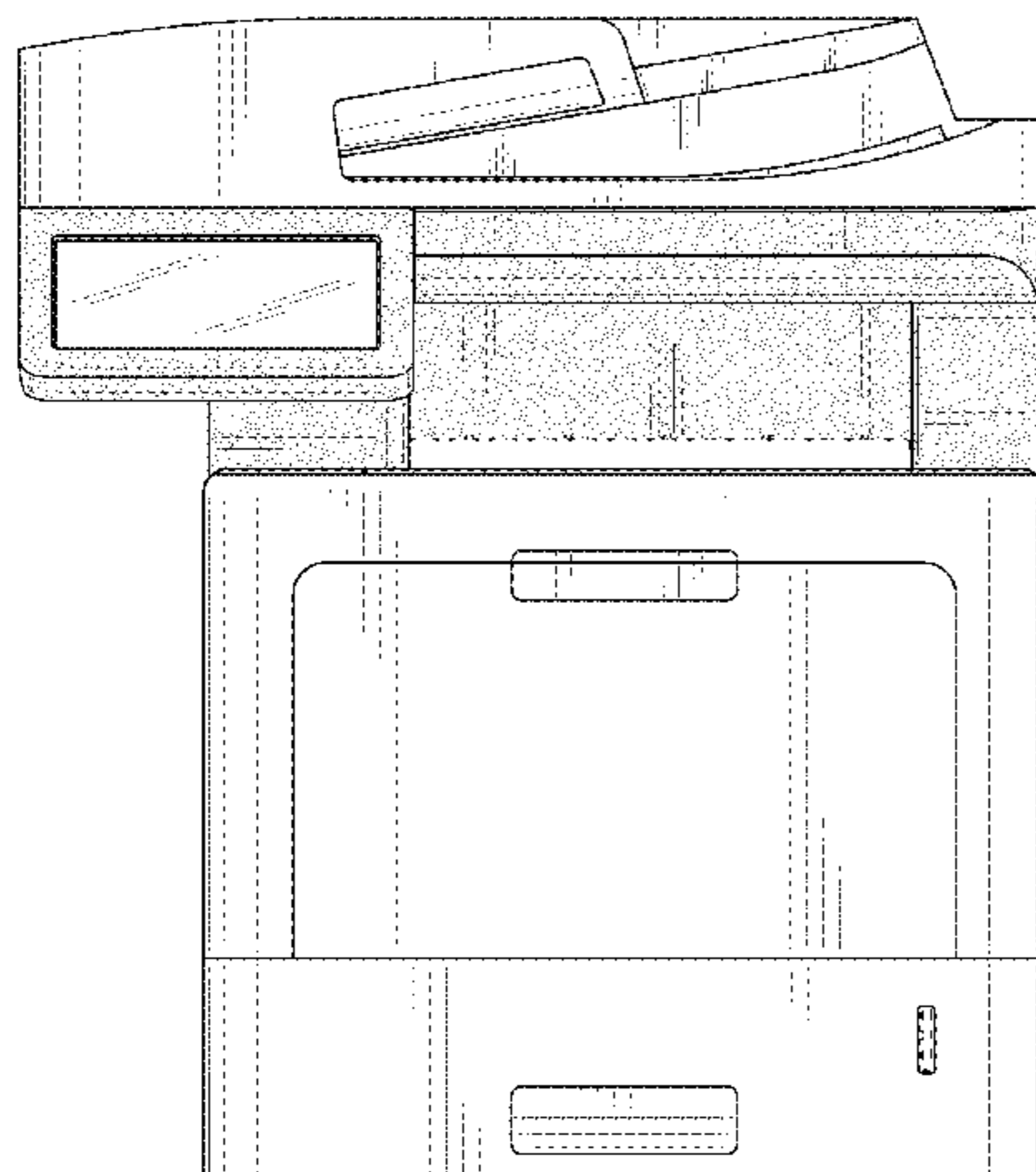
(57) **CLAIM**

The ornamental design for a printer, as shown and described.

DESCRIPTION

FIG. 1 is a right-side perspective view of the printer;
FIG. 2 is a front view thereof;
FIG. 3 is a rear view thereof;
FIG. 4 is a left-side view thereof;
FIG. 5 is a right-side view thereof;
FIG. 6 is a top view thereof;
FIG. 7 is a bottom view thereof; and,
FIG. 8 is a left-side perspective view thereof.
The broken lines immediately adjacent the shaded areas depict the bounds of the claimed design, while all other broken lines are directed to portions of the printer that form no part of the claim. The broken lines form no part of the claimed design.
The stipple shading as used in this application is a drafting convention used to show contrast with adjacent surfaces.

1 Claim, 8 Drawing Sheets



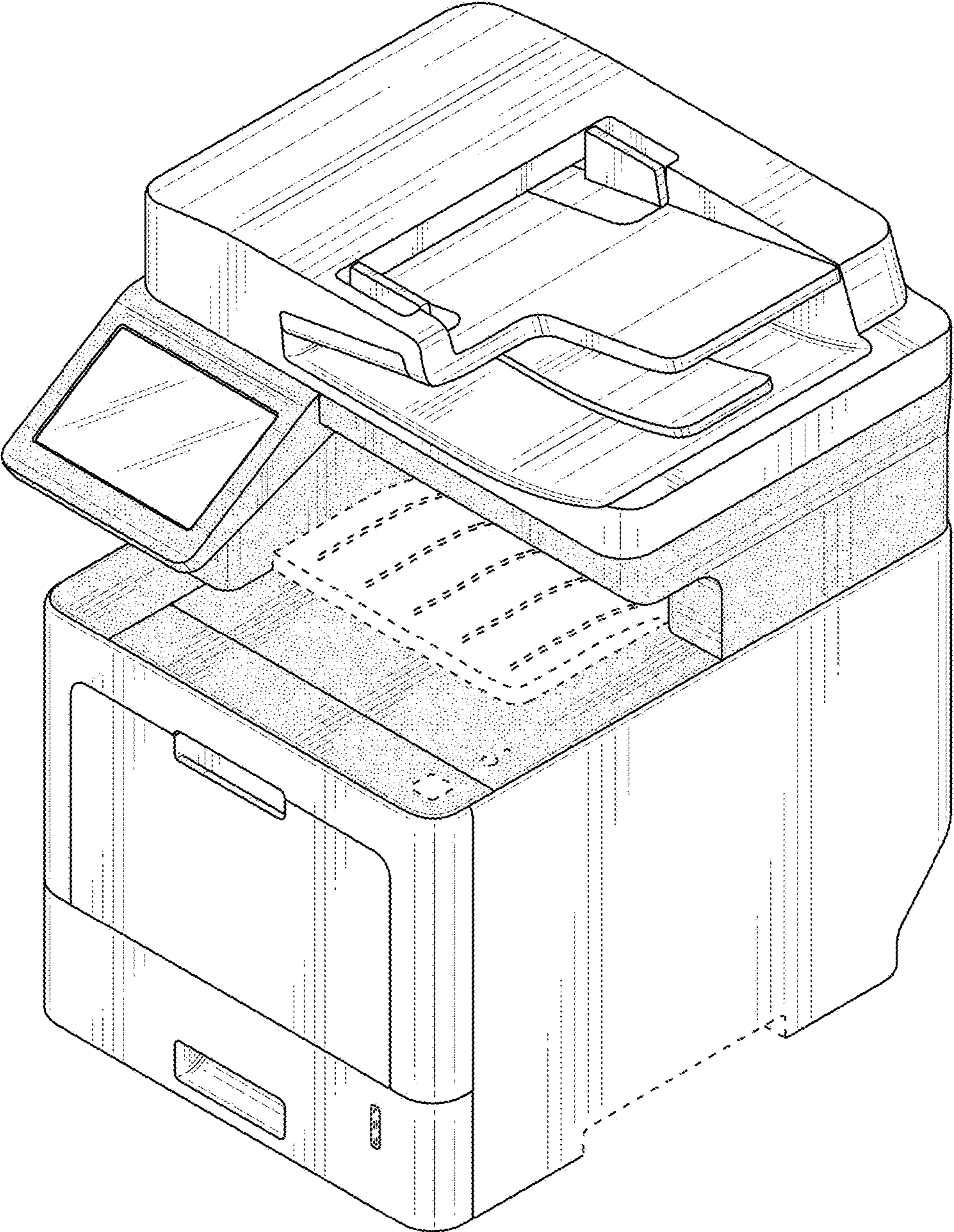


FIG. 1

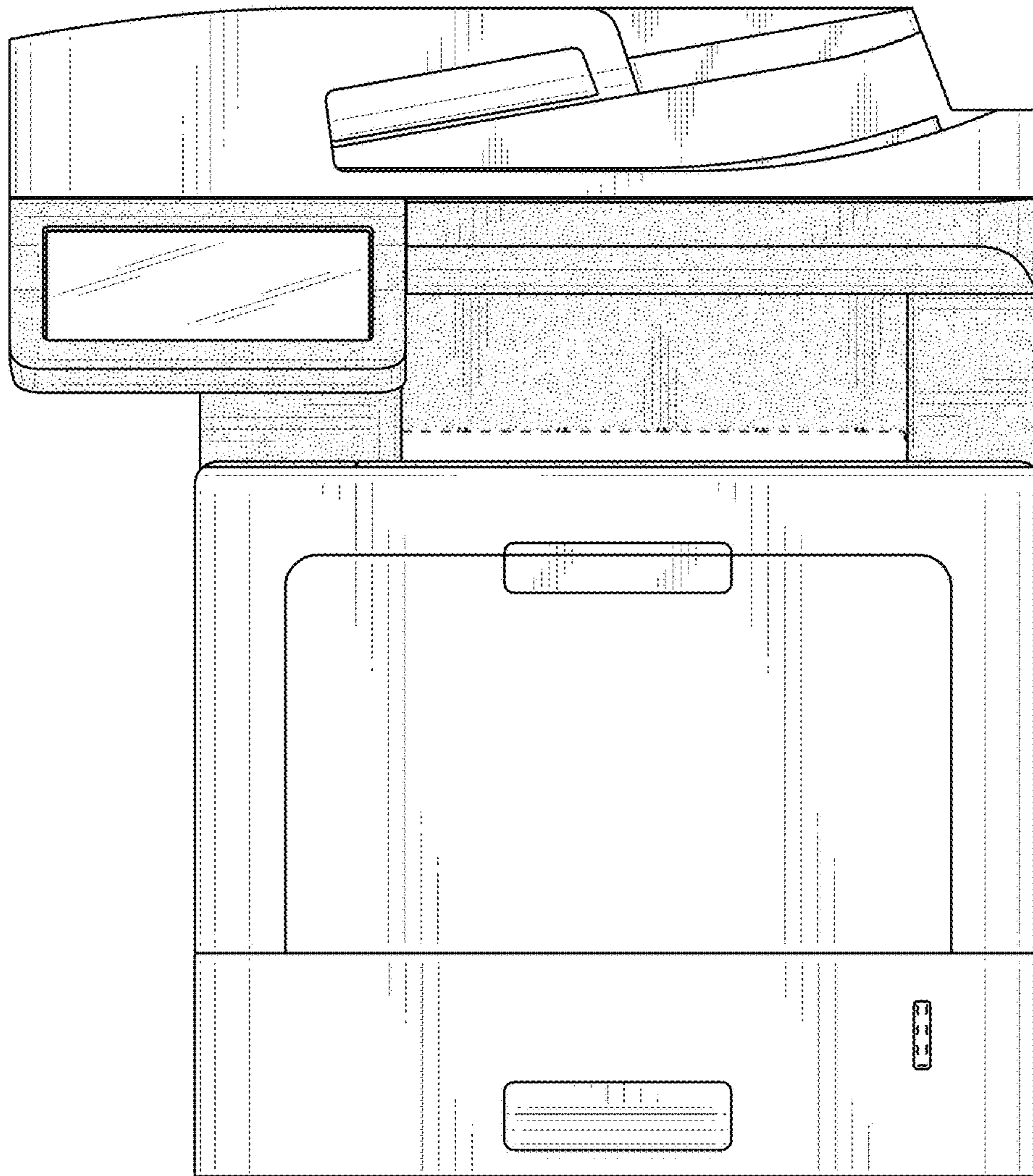


FIG. 2

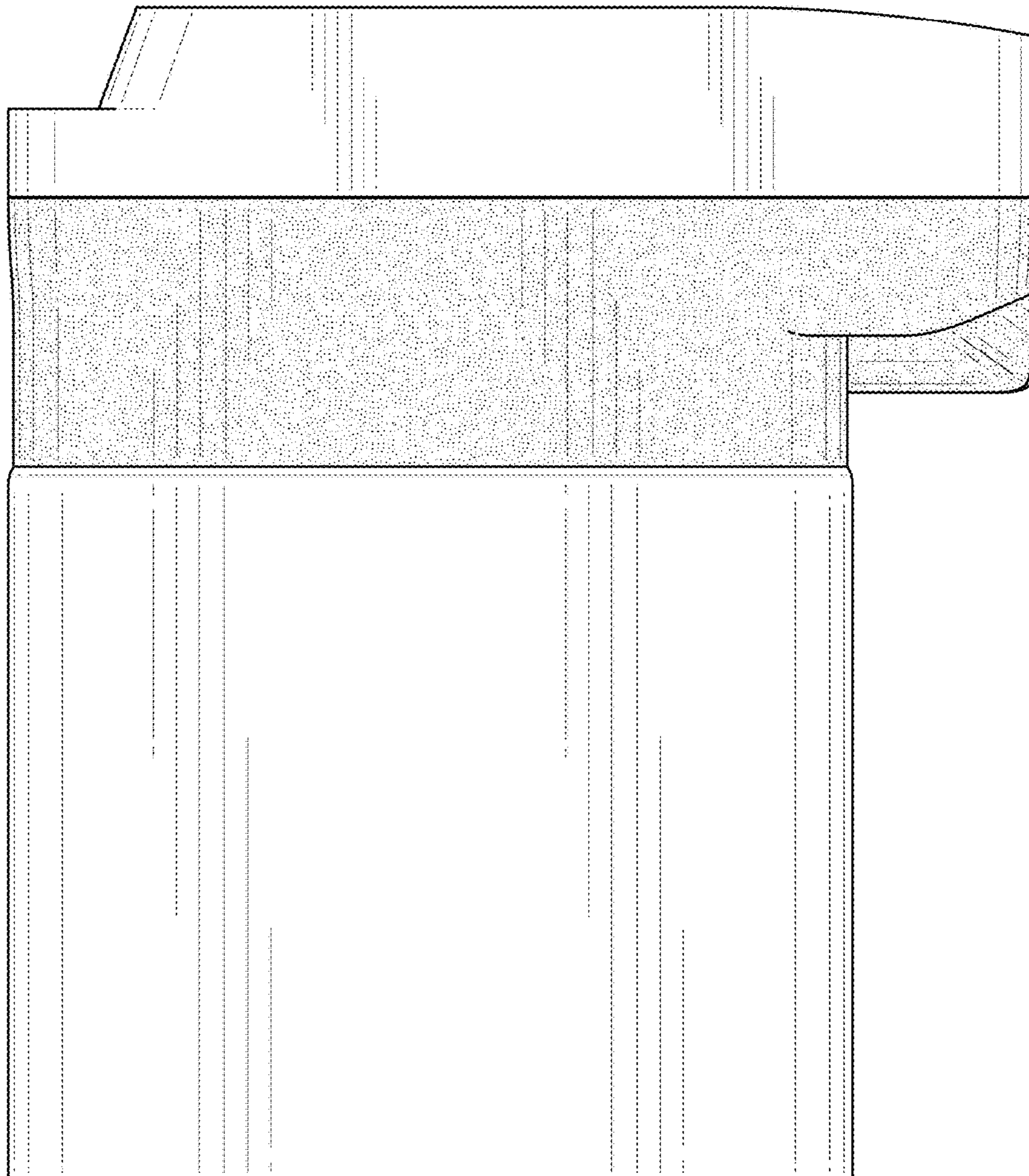


FIG. 3

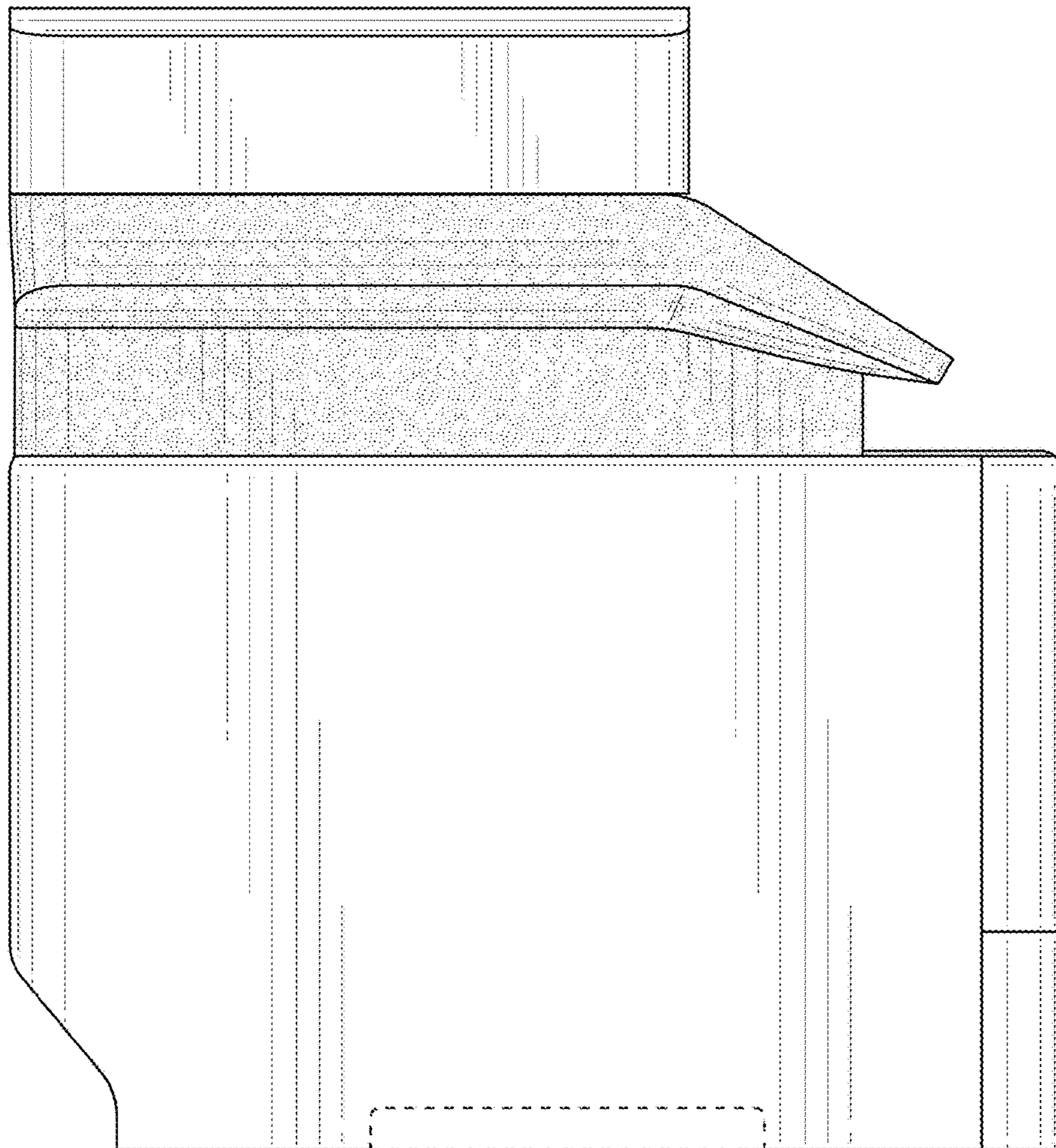


FIG. 4

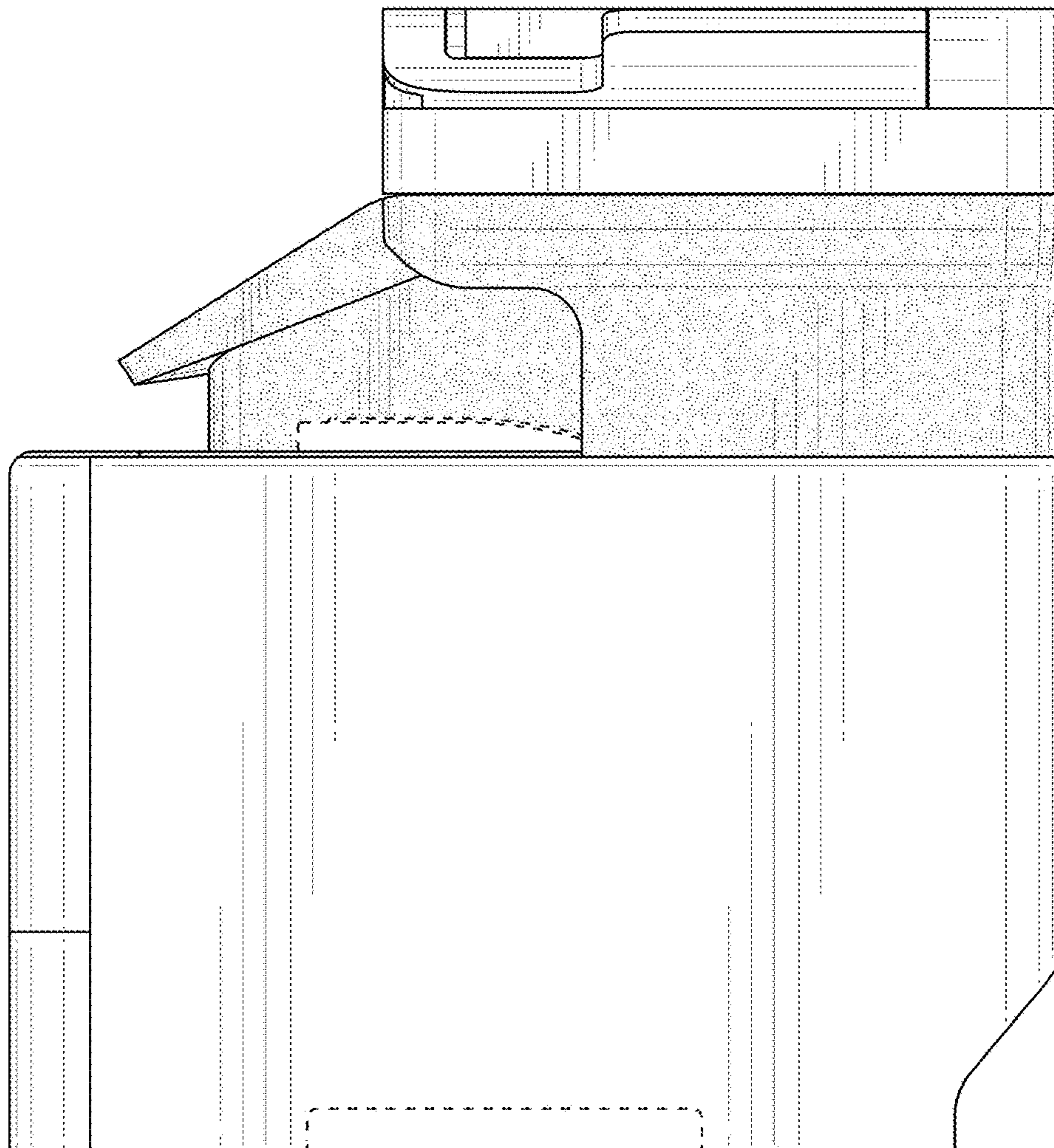


FIG. 5

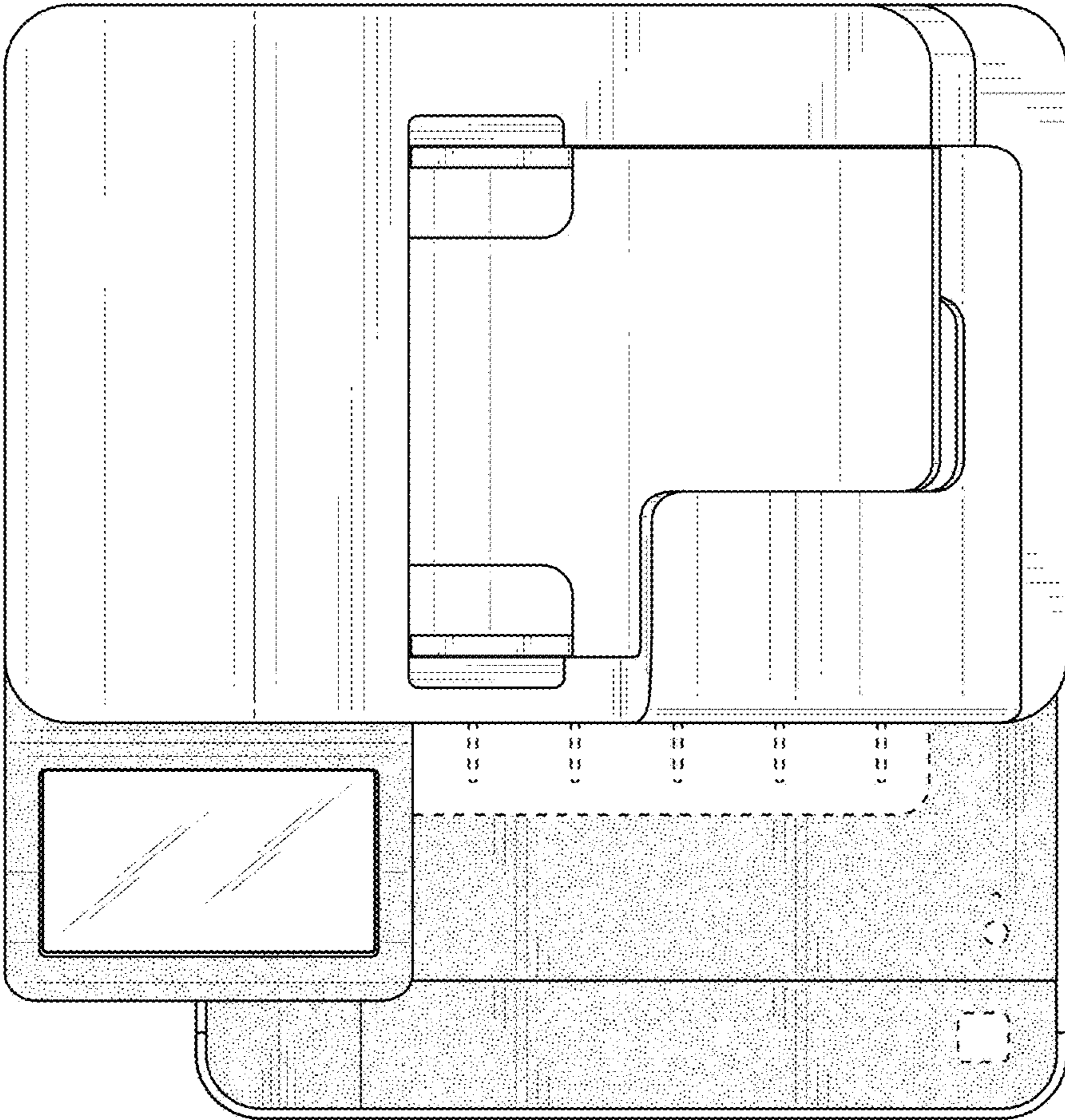


FIG. 6

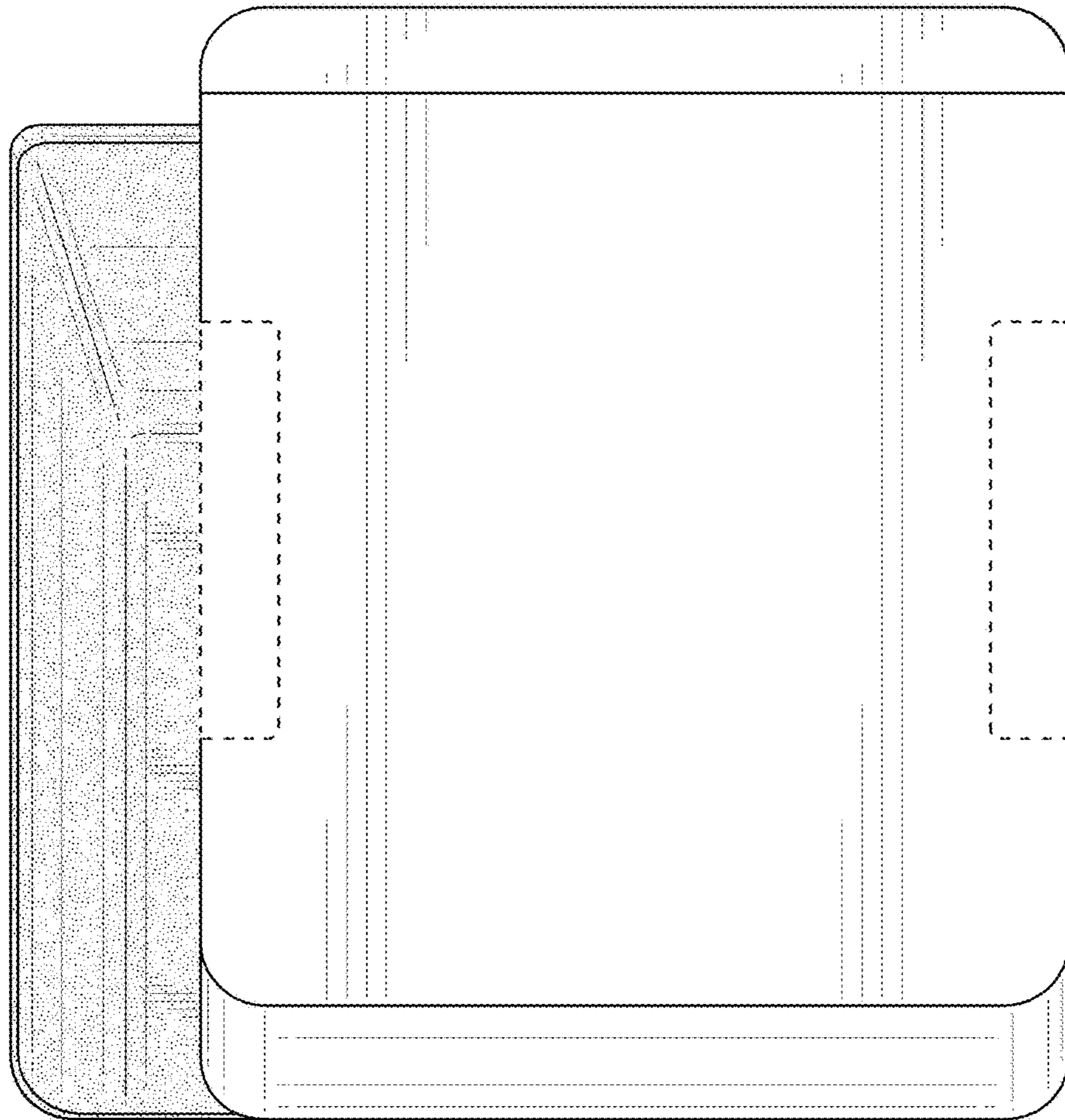


FIG. 7

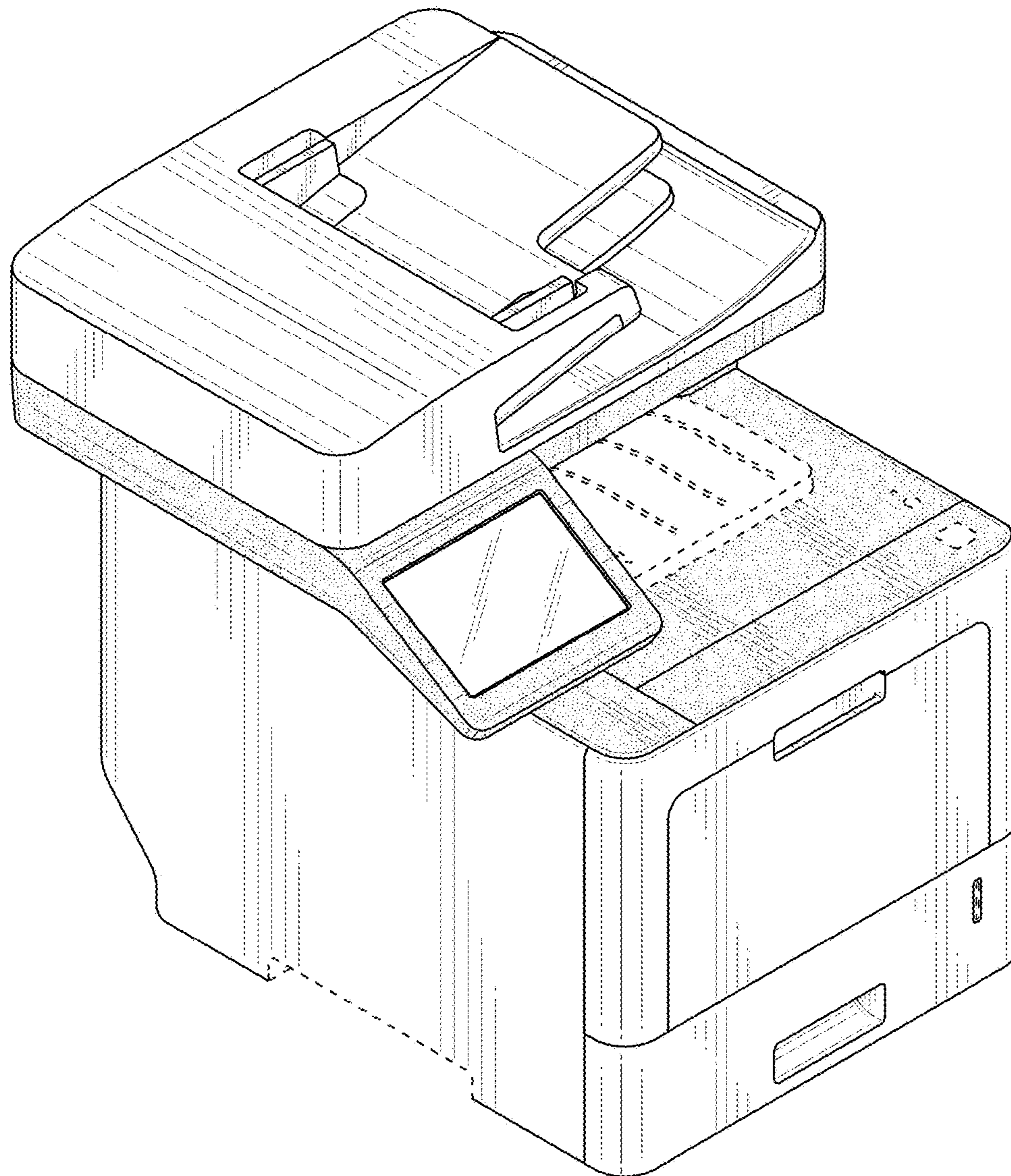


FIG. 8